

AGI **WESTFIELD**

X13 (2020) SERIES AUGER, X-TEND

PARTS MANUAL

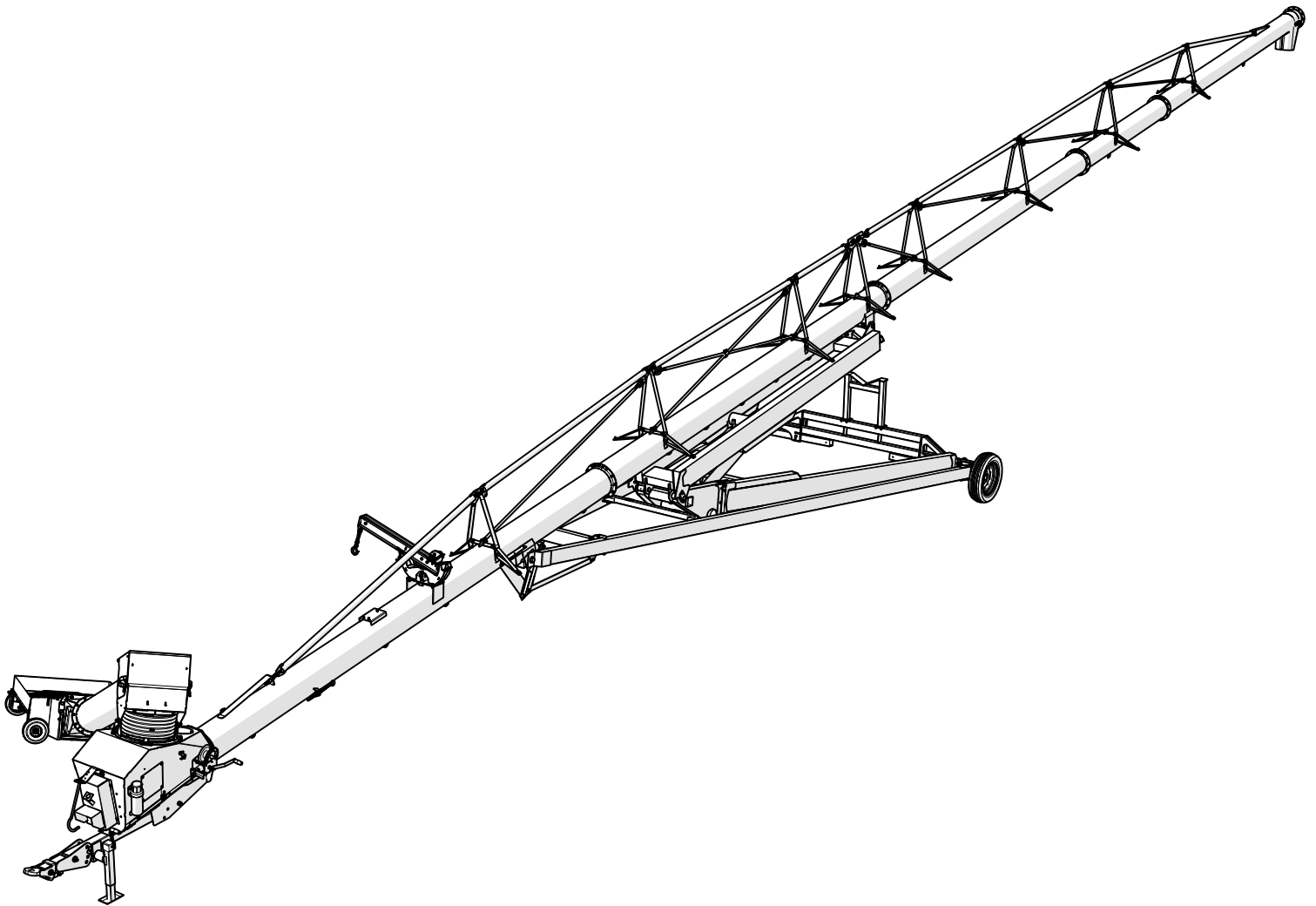
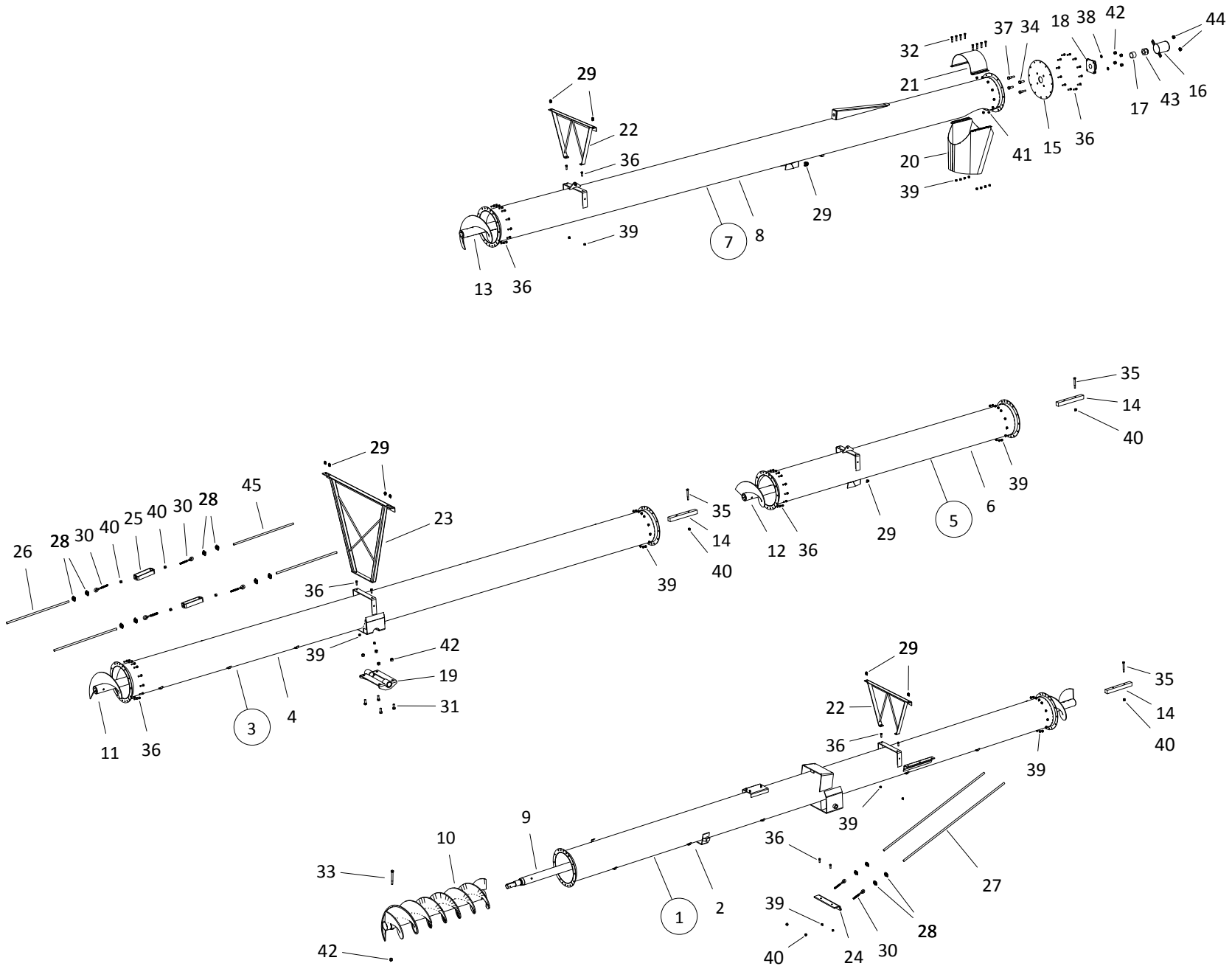


TABLE OF CONTENTS

DESCRIPTION	PAGE
TUBE & TRUSS COMPONENTS, X13-74 YELLOW (2020)	4
TUBE & TRUSS COMPONENTS, X13-84 YELLOW (2020)	6
TUBE & TRUSS COMPONENTS, X13-94 YELLOW (2020)	10
FRAME COMPONENTS, X13-74 (2020)	14
FRAME COMPONENTS, X13-84 (2020)	18
FRAME COMPONENTS, X13-94 (2020)	22
HYDRAULIC LIFT COMPONENTS, X13-74 (2020)	26
HYDRAULIC LIFT COMPONENTS, X13-84 (2020)	28
HYDRAULIC LIFT COMPONENTS, X13-94 (2020)	30
LIFT ARM COMPONENTS, X13 (10 ft SWING)	32
10 ft SWING TUBE, X13	34
BOOT, X13	38
HOPPER, X13	42
SPEED REDUCER (A262)	44
HYDRAULIC WINCH (A266)	46
HYDRAULIC VALVE (A335)	48
REVERSER (A263)	50
RIGHT ANGLE DRIVE KIT (A267)	52
ELECTRIC LANDING GEAR POWER SWING - 13" (A334)	54
HYDRAULIC LANDING GEAR POWER SWING - 13" (A333)	56
WORK LIGHT KIT, 74 (A351)	60
WORK LIGHT KIT, 84 (A353) 94 (A355)	62
X-TEND ASSEMBLY (A477)	64
X-TEND COLLECTOR	68
X-TEND HOPPER	72
X-TEND POWER SWING	76
X-TEND PARTS	78
X-TEND HYDRAULIC LINES	82
VALVE (22839)	84
X-TEND GEARBOX (22810)	86
UPPER GEARBOX (27560)	88
LOWER GEARBOX (29085)	89
CONSTANT VELOCITY PTO SHAFT (18455)	90
CONSTANT VELOCITY PTO SHAFT (29140)	91

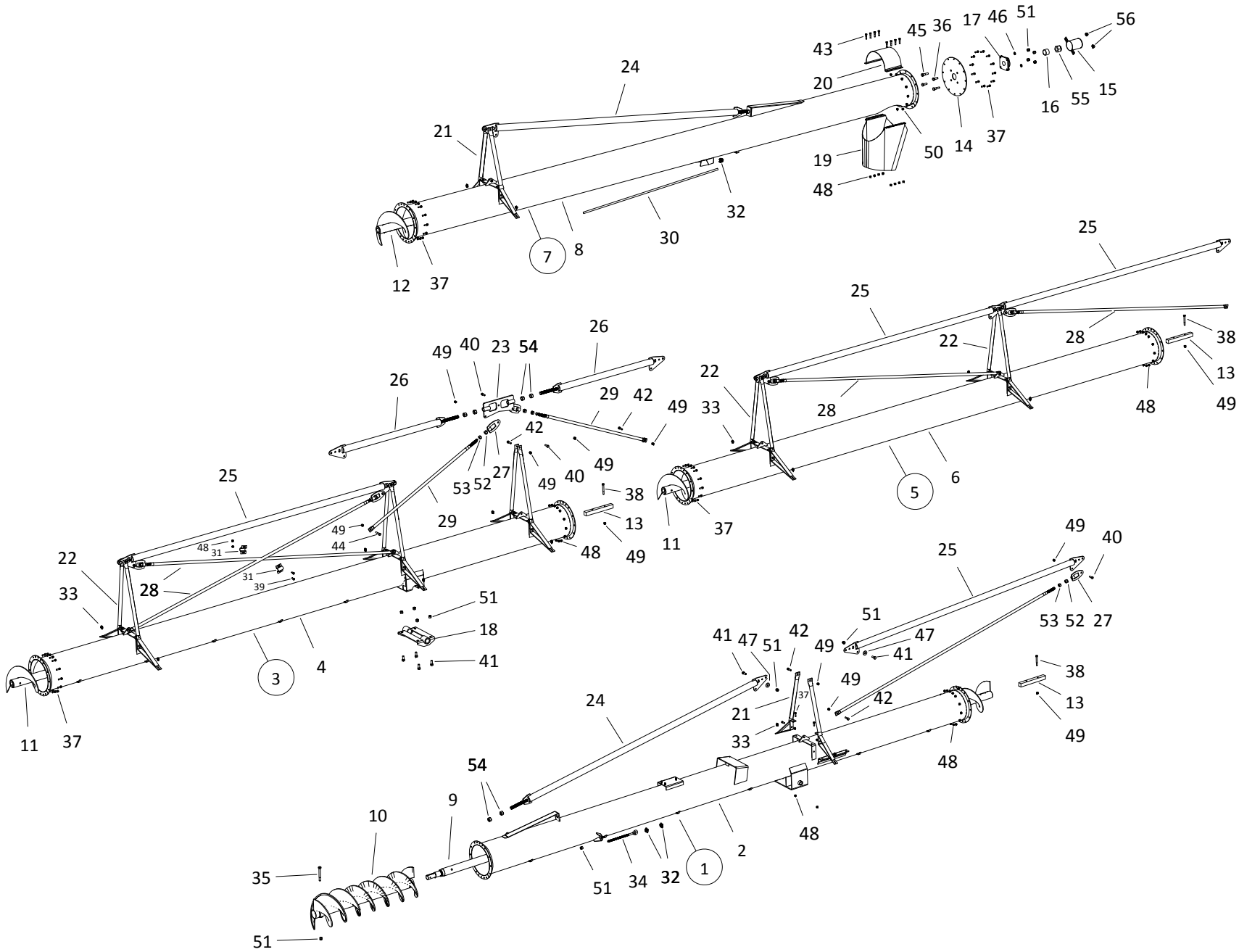
TUBE & TRUSS COMPONENTS, X13-74 YELLOW (2020)



TUBE & TRUSS COMPONENTS, X13-74 YELLOW (2020)

ITEM	PART NO.	DESCRIPTION
1	200454YL	X13-74 LOWER TUBE BUNDLE (2020), YL
2	200455YL	X13-74 LOWER TUBE (2020), YL
3	200452YL	X13-74 LOWER MIDDLE TUBE BDL (2020), YL
4	200453YL	X13-74 LOWER MIDDLE TUBE (2020), YL
5	200446YL	X13-74/94 UPR MID TUBE BDL (2020), YL
6	200447YL	X13-74/94 UPR MID TUBE (2020), YL
7	200429YL	UPR TUBE BDL (2020)
8	200430YL	UPPER TUBE (2020)
9	10-29989	X13 LOWER FLIGHT W/BOOT FLIGHT
10	10-29964	BOOT FLIGHT
11	10-29987	MIDDLE FLIGHT
12	10-29988	X13 FLIGHT, 10' EXTENSION
13	10-29986	UPPER FLIGHT
14	10-29985	FLIGHT CONNECTING SHAFT
15	10-29231	FLIGHT BEARING MNT PLATE
16	10-27576	THRUST ADJUSTER COVER
17	10-21171	BUSHING, THRUST ADJUS
18	10-18518	1-3/4 PILLOW BLOCK BEARING
19	200456RD	X13 UPPER SCISSOR PIVOT MNT (2020)
20	200423RD	2-PIECE SPOUT
21	10-27455	12-3/4" HITCH RING
22	10-18988WH	LOW TRUSS BRACKET
23	10-20017	X13 HIGH CABLE BRIDGE
24	10-20105	X13 TRUSS CABLE ATTACH BRACKET
25	10-17464	TURN BUCKLE
26	10-20090	TRUSS CABLE, 3/8 X 36'
27	10-27502	UNDERTRUSS CABLE
28	10-18990	3/8" CABLE CLAMP
29	10-19333	5/16" CABLE CLAMP (YELLOW ZINC)
30	10-19331	EYE BOLT/NUT 1/2" X5"
31	10-19590	5/8" X 1-1/2" NC BOLT GR 8 PLTD
32	10-19981	7/16" X 1-3/4" NC BOLT GR 8 PLTD
33	10-17632	5/8" X 5-1/2" NC BOLT GR 8 PLTD
34	10-18544	5/8" X 1-3/4" NC BOLT GR 5 PLTD
35	10-18947	1/2" X 4" NC BOLT GR 8 PLTD
36	10-18698	7/16" X 1-1/4" NC BOLT GR 8 PLTD
37	10-27589	5/8" X 2-1/2" NC BOLT GR 8 PLTD
38	10-17262	5/8" LOCK WASHER PLTD.
39	10-17593	7/16" NC NYLON LOCKNUT GR 5 YLW PLT
40	10-17750	1/2" NC NYLON LOCKNUT GR 5 YLW PLTD
41	10-19598	7/16" NC NYLON LOCKNUT GR 2 PLTD
42	10-19600	5/8" NC NYLON LOCKNUT PLTD
43	10-24423	1-1/2" NYLON LOCK NUT UNF GR8 PLTD
44	10-27588	5/8" NC SERRATED FLANGE NUT PLTD
45	10-27503	TRUSS CABLE, 3/8 X 85'6"

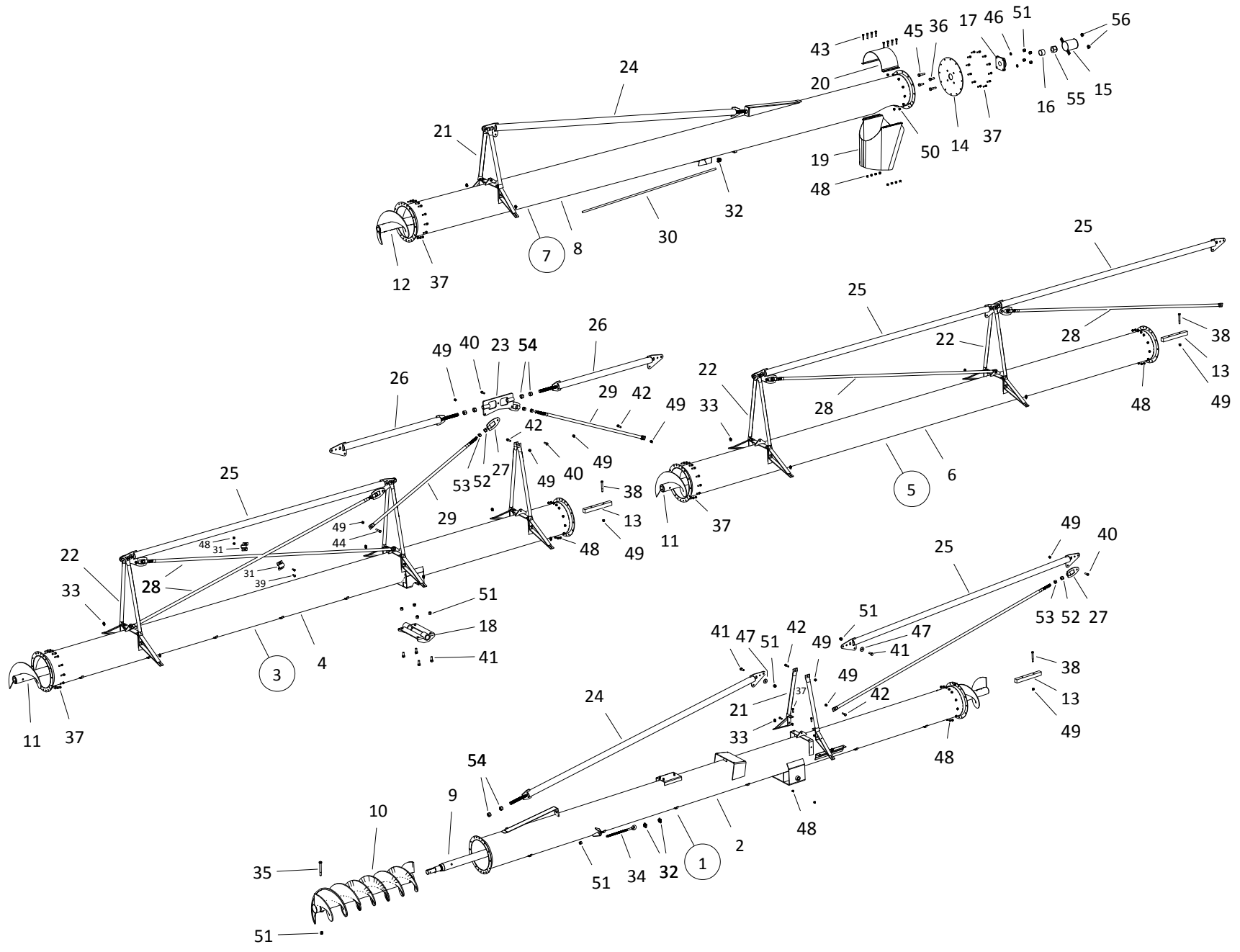
TUBE & TRUSS COMPONENTS, X13-84 YELLOW (2020)



TUBE & TRUSS COMPONENTS, X13-84 YELLOW (2020)

ITEM	PART NO.	DESCRIPTION
1	200448YL	X13-84 LOWER TUBE BUNDLE (2020), YL
2	200449YL	X13-84 LOWER TUBE (2020), YL
3	200450YL	X13-84 LOWER MIDDLE TUBE BDL (2020), YL
4	200451YL	X13-84 LOWER MIDDLE TUBE (2020), YL
5	200444YL	X13-84/94 MIDDLE TUBE BUNDLE (2020), YL
6	200445YL	X13-84/94 MIDDLE TUBE (2020), YL
7	200429YL	UPR TUBE BDL (2020)
8	200430YL	UPPER TUBE (2020)
9	10-29989	X13 LOWER FLIGHT W/BOOT FLIGHT
10	10-29964	BOOT FLIGHT
11	10-29987	MIDDLE FLIGHT
12	10-29986	UPPER FLIGHT
13	10-29985	FLIGHT CONNECTING SHAFT
14	10-29231	FLIGHT BEARING MNT PLATE
15	10-27576	THRUST ADJUSTER COVER
16	10-21171	BUSHING, THRUST ADJUS
17	10-18518	1-3/4 PILLOW BLOCK BEARING
18	200456RD	X13 UPPER SCISSOR PIVOT MNT (2020)
19	200423RD	2-PIECE SPOUT
20	10-27455	12-3/4" HITCH RING
21	10-17459	LOW TRUSS BRACKET
22	10-17460	HIGH TRUSS BRACKET
23	200417RD	X13 CENTER ADJUST MNT
24	200419RD	TOP TRUSS - END
25	200418RD	TOP TRUSS - COMMON
26	200420RD	X13 TOP TRUSS - CENTRE
27	200416RD	CROSS BRACE SHACKLE
28	200421RD	CROSS BRACE - LONG
29	200422RD	X13 CROSS BRACE - SHORT
30	10-20085	TRUSS CABLE
31	10-17405	CROSSBRACE CLAMP
32	10-18990	3/8" CABLE CLAMP
33	10-19333	5/16" CABLE CLAMP (YELLOW ZINC)
34	200531	5/8" X 14-1/2" EYE BOLT PLTD
35	10-17632	5/8" X 5-1/2" NC BOLT GR 8 PLTD
36	10-18544	5/8" X 1-3/4" NC BOLT GR 5 PLTD
37	10-18698	7/16" X 1-1/4" NC BOLT GR 8 PLTD
38	10-18947	1/2" X 4" NC BOLT GR 8 PLTD
39	10-19542	7/16" X 1" NC BOLT GR 5 PLTD
40	10-19589	1/2" X 1-1/2" NC BOLT GR 8 PLTD
41	10-19590	5/8" X 1-1/2" NC BOLT GR 8 PLTD
42	10-19974	1/2" X 1-3/4" NC BOLT GR 8 PLTD
43	10-19981	7/16" X 1-3/4" NC BOLT GR 8 PLTD
44	10-20772	1/2" X 2-1/2" GR8 PLTD
45	10-27589	5/8" X 2-1/2" NC BOLT GR 8 PLTD
46	10-17262	5/8" LOCK WASHER PLTD.
47	10-19966	5/8" FLAT WASHER PLTD
48	10-17593	7/16" NC NYLON LOCKNUT GR 5 YLW PLT
49	10-17750	1/2" NC NYLON LOCKNUT GR 5 YLW PLTD
50	10-19598	7/16" NC NYLON LOCKNUT GR 2 PLTD

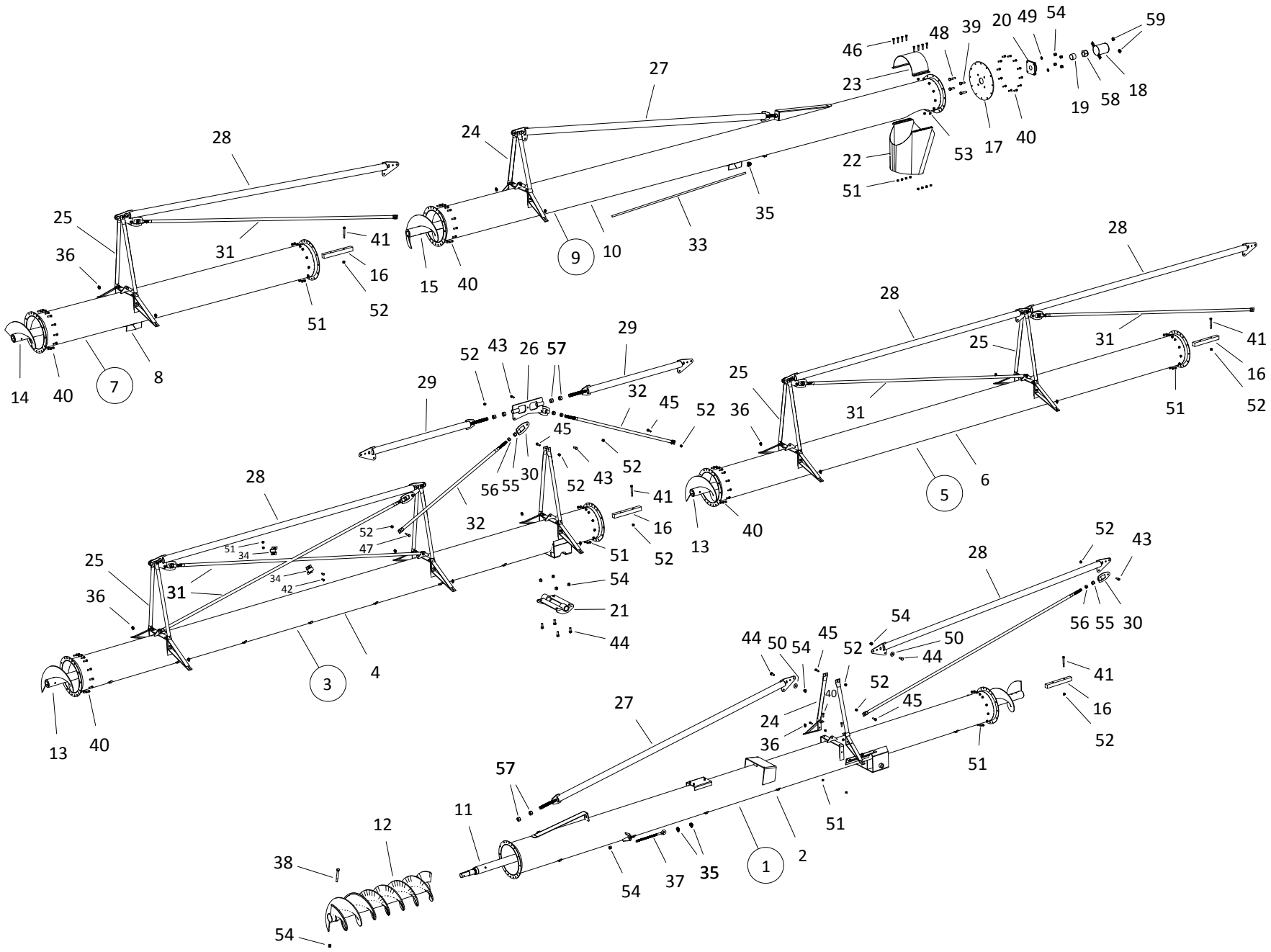
TUBE & TRUSS COMPONENTS, X13-84 YELLOW (2020)



TUBE & TRUSS COMPONENTS, X13-84 YELLOW (2020)

ITEM	PART NO.	DESCRIPTION
51	10-19600	5/8" NC NYLON LOCKNUT PLTD
52	10-19601	3/4" NC NYLON LOCKNUT PLTD
53	10-19997	3/4" NC HEX NUT PLTD
54	10-20080	1" NC HEX NUT PLTD
55	10-24423	1-1/2" NYLON LOCK NUT UNF GR8 PLTD
56	10-27588	5/8" NC SERRATED FLANGE NUT PLTD

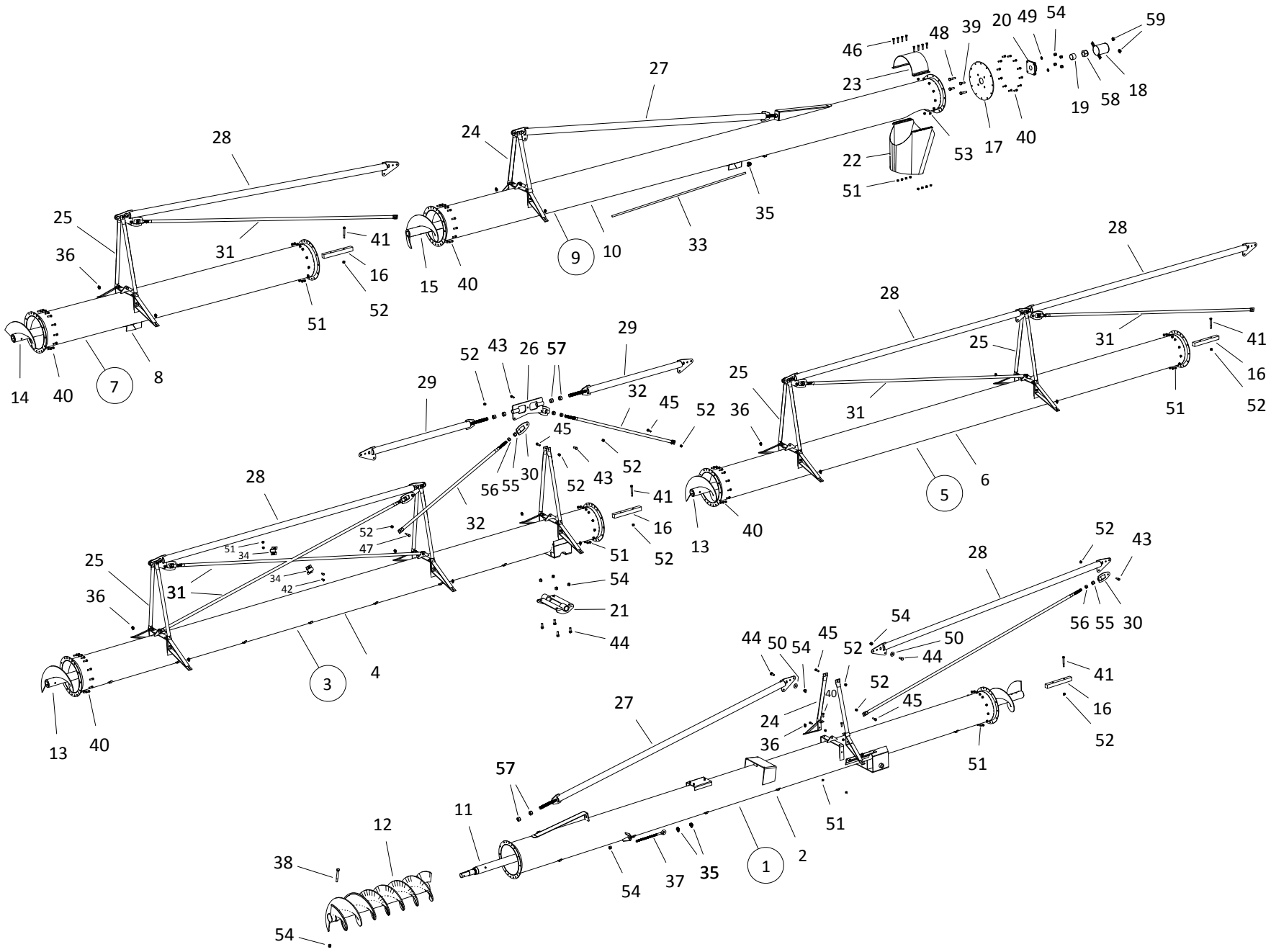
TUBE & TRUSS COMPONENTS, X13-94 YELLOW (2020)



TUBE & TRUSS COMPONENTS, X13-94 YELLOW (2020)

ITEM	PART NO.	DESCRIPTION
1	200440YL	X13-94 LOWER TUBE BUNDLE (2020), YL
2	200441YL	X13-94 LOWER TUBE (2020), YL
3	200442YL	X13-94 LWR MIDDLE TUBE BDL (2020), YL
4	200443YL	X13-94 LOWER MIDDLE TUBE (2020), YL
5	200444YL	X13-84/94 MIDDLE TUBE BUNDLE (2020), YL
6	200445YL	X13-84/94 MIDDLE TUBE (2020), YL
7	200446YL	X13-74/94 UPR MID TUBE BDL (2020), YL
8	200447YL	X13-74/94 UPR MID TUBE (2020), YL
9	200429YL	UPR TUBE BDL (2020)
10	200430YL	UPPER TUBE (2020)
11	10-29989	X13 LOWER FLIGHT W/BOOT FLIGHT
12	10-29964	BOOT FLIGHT
13	10-29987	MIDDLE FLIGHT
14	10-29988	X13 FLIGHT, 10' EXTENSION
15	10-29986	UPPER FLIGHT
16	10-29985	FLIGHT CONNECTING SHAFT
17	10-29231	FLIGHT BEARING MNT PLATE
18	10-27576	THRUST ADJUSTER COVER
19	10-21171	BUSHING, THRUST ADJUS
20	10-18518	1-3/4 PILLOW BLOCK BEARING
21	200456RD	X13 UPPER SCISSOR PIVOT MNT (2020)
22	200423RD	2-PIECE SPOUT
23	10-27455	12-3/4" HITCH RING
24	10-17459	LOW TRUSS BRACKET
25	10-17460	HIGH TRUSS BRACKET
26	200417RD	X13 CENTER ADJUST MNT
27	200419RD	TOP TRUSS - END
28	200418RD	TOP TRUSS - COMMON
29	200420RD	X13 TOP TRUSS - CENTRE
30	200416RD	CROSS BRACE SHACKLE
31	200421RD	CROSS BRACE - LONG
32	200422RD	X13 CROSS BRACE - SHORT
33	10-17576	TRUSS CABLE
34	10-17405	CROSSBRACE CLAMP
35	10-18990	3/8" CABLE CLAMP
36	10-19333	5/16" CABLE CLAMP (YELLOW ZINC)
37	200531	5/8" X 14-1/2" EYE BOLT PLTD
38	10-17632	5/8" X 5-1/2" NC BOLT GR 8 PLTD
39	10-18544	5/8" X 1-3/4" NC BOLT GR 5 PLTD
40	10-18698	7/16" X 1-1/4" NC BOLT GR 8 PLTD
41	10-18947	1/2" X 4" NC BOLT GR 8 PLTD
42	10-19542	7/16" X 1" NC BOLT GR 5 PLTD
43	10-19589	1/2" X 1-1/2" NC BOLT GR 8 PLTD
44	10-19590	5/8" X 1-1/2" NC BOLT GR 8 PLTD
45	10-19974	1/2" X 1-3/4" NC BOLT GR 8 PLTD
46	10-19981	7/16" X 1-3/4" NC BOLT GR 8 PLTD
47	10-20772	1/2" X 2-1/2" GR8 PLTD
48	10-27589	5/8" X 2-1/2" NC BOLT GR 8 PLTD
49	10-17262	5/8" LOCK WASHER PLTD.
50	10-19966	5/8" FLAT WASHER PLTD

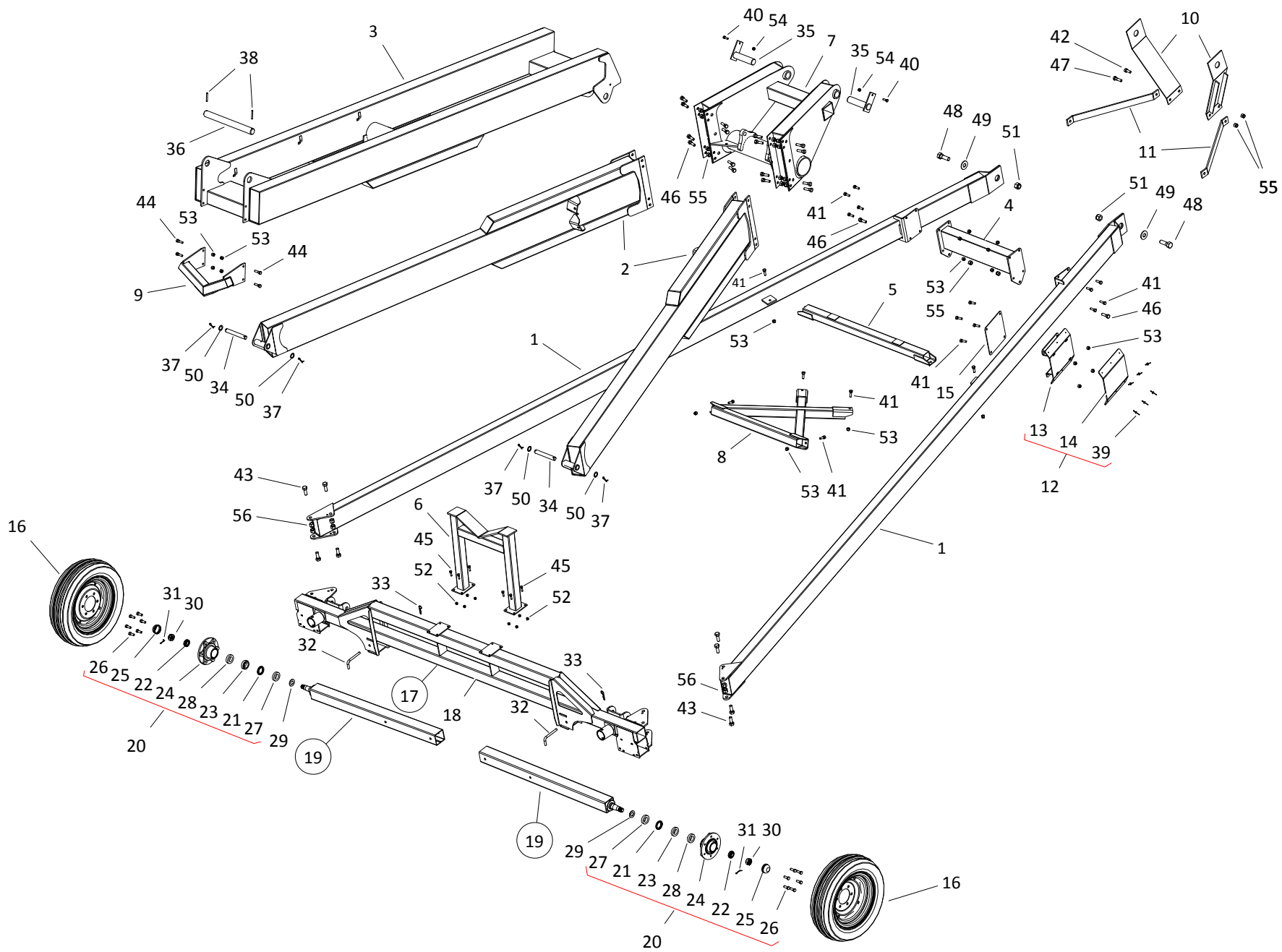
TUBE & TRUSS COMPONENTS, X13-94 YELLOW (2020)



TUBE & TRUSS COMPONENTS, X13-94 YELLOW (2020)

ITEM	PART NO.	DESCRIPTION
51	10-17593	7/16" NC NYLON LOCKNUT GR 5 YLW PLT
52	10-17750	1/2" NC NYLON LOCKNUT GR 5 YLW PLTD
53	10-19598	7/16" NC NYLON LOCKNUT GR 2 PLTD
54	10-19600	5/8" NC NYLON LOCKNUT PLTD
55	10-19601	3/4" NC NYLON LOCKNUT PLTD
56	10-19997	3/4" NC HEX NUT PLTD
57	10-20080	1" NC HEX NUT PLTD
58	10-24423	1-1/2" NYLON LOCK NUT UNF GR8 PLTD
59	10-27588	5/8" NC SERRATED FLANGE NUT PLTD

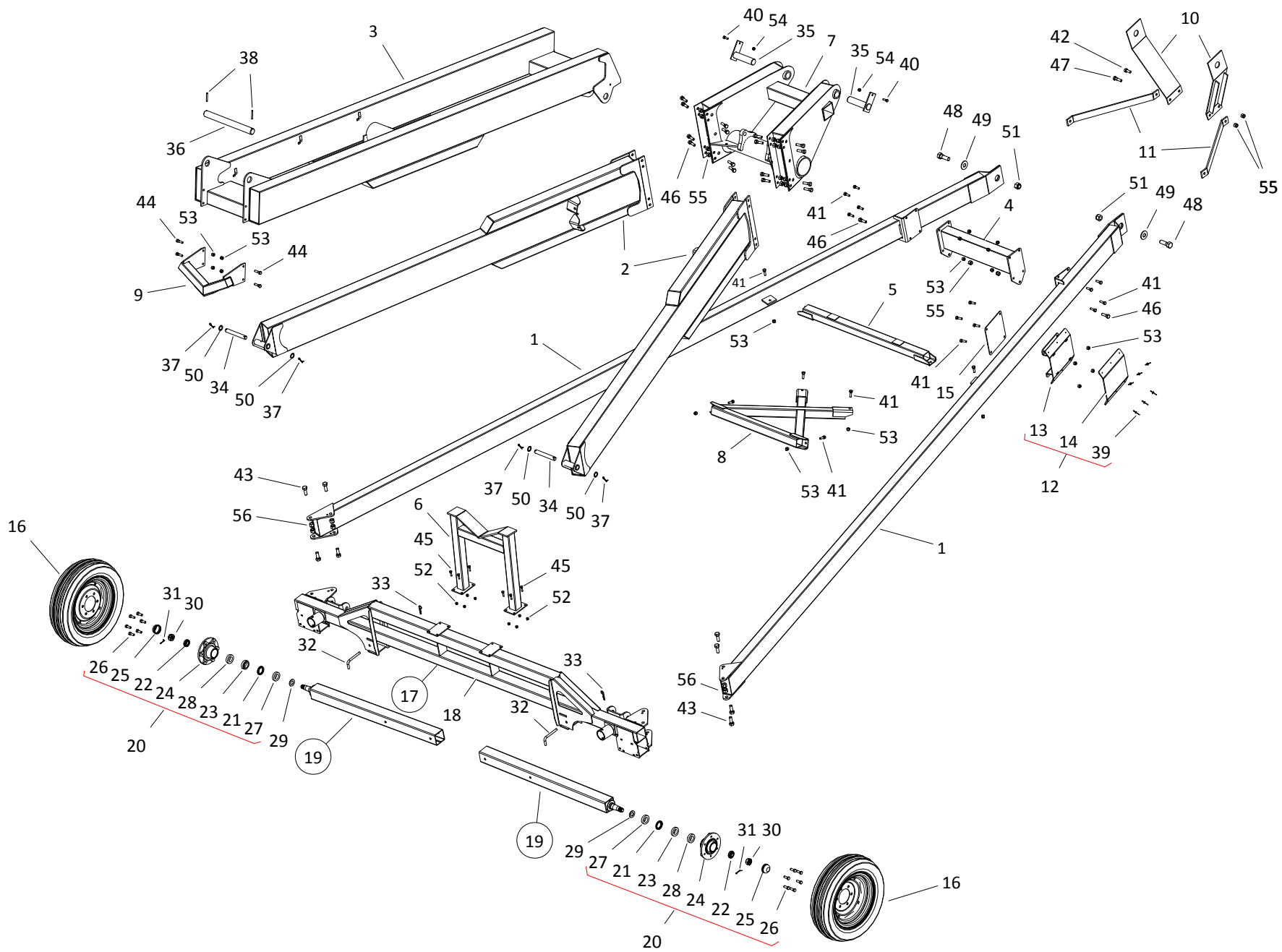
FRAME COMPONENTS, X13-74 (2020)



FRAME COMPONENTS, X13-74 (2020)

ITEM	PART NO.	DESCRIPTION
1	10-29912RD	LOWER ARM
2	10-29914RD	LOWER SCISSOR ARM
3	10-29916RD	UPPER SCISSOR
4	10-29951RD	STABILIZER CROSS MEMBER
5	10-29954RD	SCISSOR REST
6	10-20240RD	TRANSPORT STAND
7	10-29910RD	BOWTIE
8	10-29911RD	BOWTIE CROSSBRACE
9	10-20241RD	TRANSPORT GUIDE
10	10-29950RD	STABILIZER BRACKET
11	10-29952RD	STABILIZER BRACE
12	10-22924RD	LOWER ARM DEFLECTOR ASSY
13	10-22923HM	LOWER ARM DEFLECTOR ONLY
14	10-22925	FRAME DEFLECTOR PLASTIC, BENT
15	10-22929RD	LOWER ARM SKID CLAMP
16	10-29015	16 X 6 X 6 BOLT WHEEL ASSEMBLY
17	10-22623RD	AXLE ASSY, 1 PIECE
18	10-22621RD	AXLE ONLY, 1 PIECE
19	10-29961	AXLE EXTENSION, RED
20	10-17013	HUB ASSEMBLY
21	10-17006	HUB SEAL
22	10-19265	CONE BEARING
23	10-17007	LG HUB BEARNG
24	10-17009	HUB ASSEMBLY
25	10-17012	DUST CAP
26	10-17561	1/2" X 1-1/4" WHEEL BOLT
27	10-19266	CUP
28	10-17008	LARGE HUB CUP
29	10-17010	1" SAE WASHER PLAIN
30	10-17011	1" NF SLOTTED NUT PLAIN
31	10-19271	COTTER PIN 1/8 X 1-1/2 C.ZINC PLTD
32	10-19648	SADDLE PIN
33	10-19463	210 HITCH PIN
34	10-20049	X13 LOWER SCISSOR ATTACH PIN
35	10-29929RD	SCISSOR PIN
36	10-20079	X13 FRAME ATTACH PIN, UPPER SCISSOR
37	10-18098	COTTER PIN 1/4 X 1-3/4 C.ZINC PLTD
38	10-28584	COILED SPRING PIN 5/16 X 2-1/2 PLNO
39	10-20399	3/16" X 5/8" GRIP RIVET
40	10-18698	7/16" X 1-1/4" NC BOLT GR 8 PLTD
41	10-19589	1/2" X 1-1/2" NC BOLT GR 8 PLTD
42	10-19590	5/8" X 1-1/2" NC BOLT GR 8 PLTD
43	10-19592	3/4" X 2" NC BOLT GR 8 PLTD
44	10-19974	1/2" X 1-3/4" NC BOLT GR 8 PLTD
45	10-19975	3/8" X 1-1/4" NC BOLT GR 5 PLTD
46	10-19991	5/8" X 2" NC BOLT GR 8 PLTD
47	10-27484	5/8" X 2-1/4" NC BOLT GR 8 PLTD
48	10-28484	1" X 3" NC BOLT GRADE 5 PLTD
49	10-17020	1" FLAT WASHER PLTD
50	10-18097	1" RIM WASHER PLTD

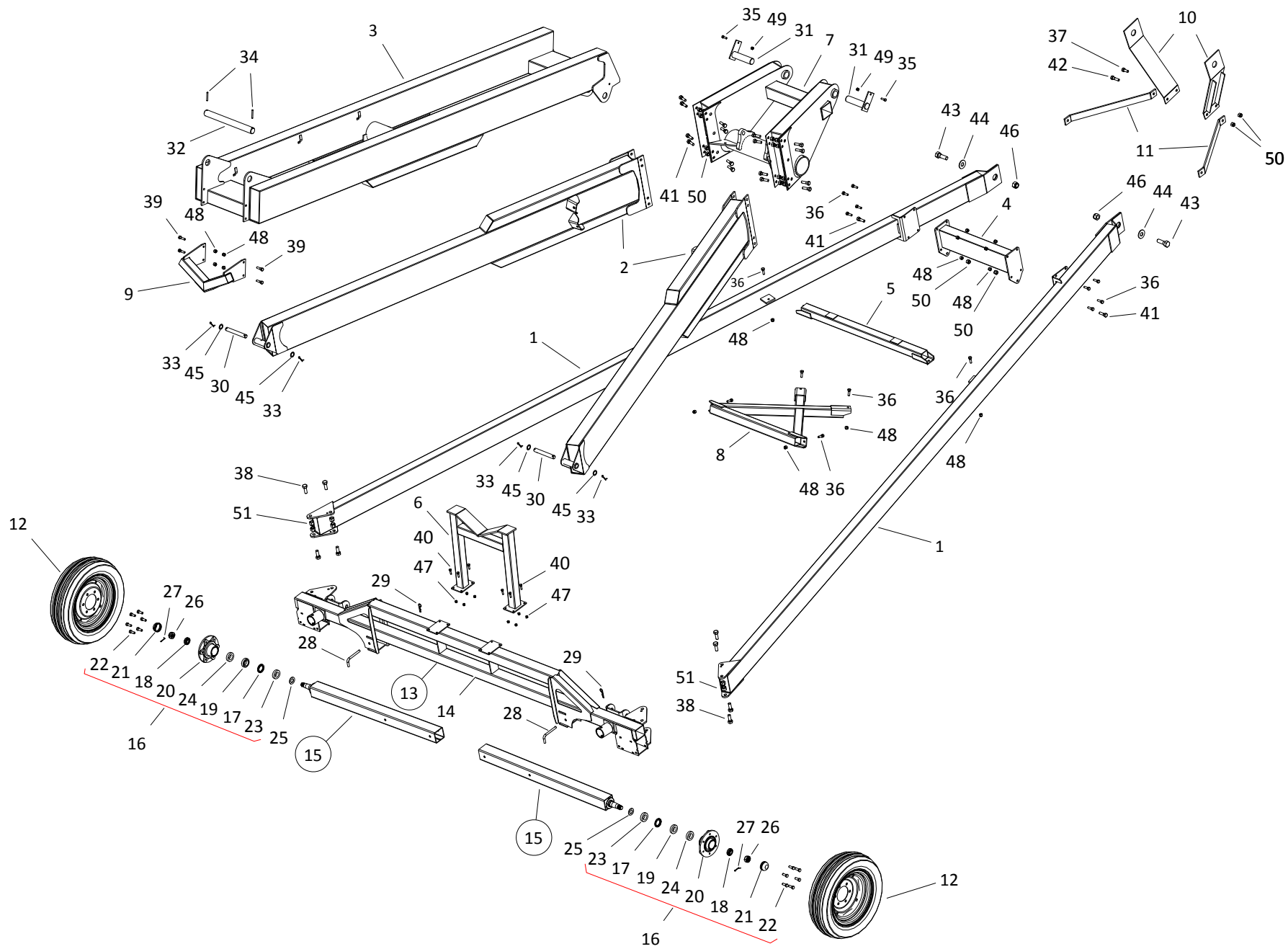
FRAME COMPONENTS, X13-74 (2020)



FRAME COMPONENTS, X13-74 (2020)

ITEM	PART NO.	DESCRIPTION
51	10-17019	1" NC NYLON LOCKNUT PLTD
52	10-17402	3/8" NC NYLON LOCKNUT PLTD
53	10-17750	1/2" NC NYLON LOCKNUT GR 5 YLW PLTD
54	10-19598	7/16" NC NYLON LOCKNUT GR 2 PLTD
55	10-19600	5/8" NC NYLON LOCKNUT PLTD
56	10-19601	3/4" NC NYLON LOCKNUT PLTD

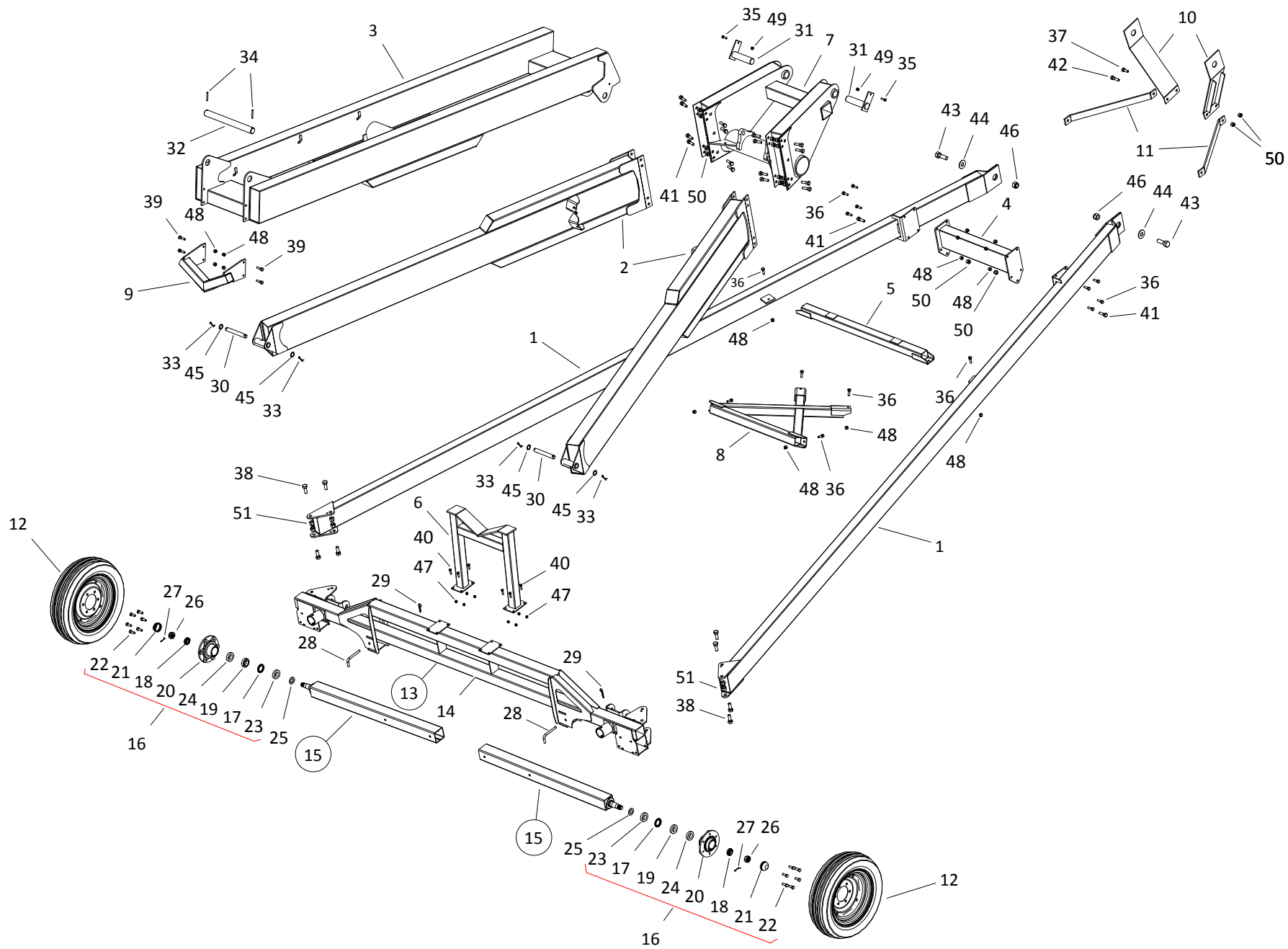
FRAME COMPONENTS, X13-84 (2020)



FRAME COMPONENTS, X13-84 (2020)

ITEM	PART NO.	DESCRIPTION
1	10-29917RD	LOWER ARM
2	10-29919RD	LOWER SCISSOR ARM
3	10-29921RD	UPPER SCISSOR
4	10-29951RD	STABILIZER CROSS MEMBER
5	10-29954RD	SCISSOR REST
6	10-20240RD	TRANSPORT STAND
7	10-29910RD	BOWTIE
8	10-29911RD	BOWTIE CROSSBRACE
9	10-20241RD	TRANSPORT GUIDE
10	10-29950RD	STABILIZER BRACKET
11	10-29952RD	STABILIZER BRACE
12	10-29015	16 X 6 X 6 BOLT WHEEL ASSEMBLY
13	10-22623RD	AXLE ASSY, 1 PIECE
14	10-22621RD	AXLE ONLY, 1 PIECE
15	10-29961	AXLE EXTENSION, RED
16	10-17013	HUB ASSEMBLY
17	10-17006	HUB SEAL
18	10-19265	CONE BEARING
19	10-17007	LG HUB BEARNG
20	10-17009	HUB ASSEMBLY
21	10-17012	DUST CAP
22	10-17561	1/2" X 1-1/4" WHEEL BOLT
23	10-19266	CUP
24	10-17008	LARGE HUB CUP
25	10-17010	1" SAE WASHER PLAIN
26	10-17011	1" NF SLOTTED NUT PLAIN
27	10-19271	COTTER PIN 1/8 X 1-1/2 C.ZINC PLTD
28	10-19648	SADDLE PIN
29	10-19463	210 HITCH PIN
30	10-20049	X13 LOWER SCISSOR ATTACH PIN
31	10-29929RD	SCISSOR PIN
32	10-20079	X13 FRAME ATTACH PIN, UPPER SCISSOR
33	10-18098	COTTER PIN 1/4 X 1-3/4 C.ZINC PLTD
34	10-28584	COILED SPRING PIN 5/16 X 2-1/2 PLNO
35	10-18698	7/16" X 1-1/4" NC BOLT GR 8 PLTD
36	10-19589	1/2" X 1-1/2" NC BOLT GR 8 PLTD
37	10-19590	5/8" X 1-1/2" NC BOLT GR 8 PLTD
38	10-19592	3/4" X 2" NC BOLT GR 8 PLTD
39	10-19974	1/2" X 1-3/4" NC BOLT GR 8 PLTD
40	10-19975	3/8" X 1-1/4" NC BOLT GR 5 PLTD
41	10-19991	5/8" X 2" NC BOLT GR 8 PLTD
42	10-27484	5/8" X 2-1/4" NC BOLT GR 8 PLTD
43	10-28484	1" X 3" NC BOLT GRADE 5 PLTD
44	10-17020	1" FLAT WASHER PLTD
45	10-18097	1" RIM WASHER PLTD
46	10-17019	1" NC NYLON LOCKNUT PLTD
47	10-17402	3/8" NC NYLON LOCKNUT PLTD
48	10-17750	1/2" NC NYLON LOCKNUT GR 5 YLW PLTD
49	10-19598	7/16" NC NYLON LOCKNUT GR 2 PLTD
50	10-19600	5/8" NC NYLON LOCKNUT PLTD

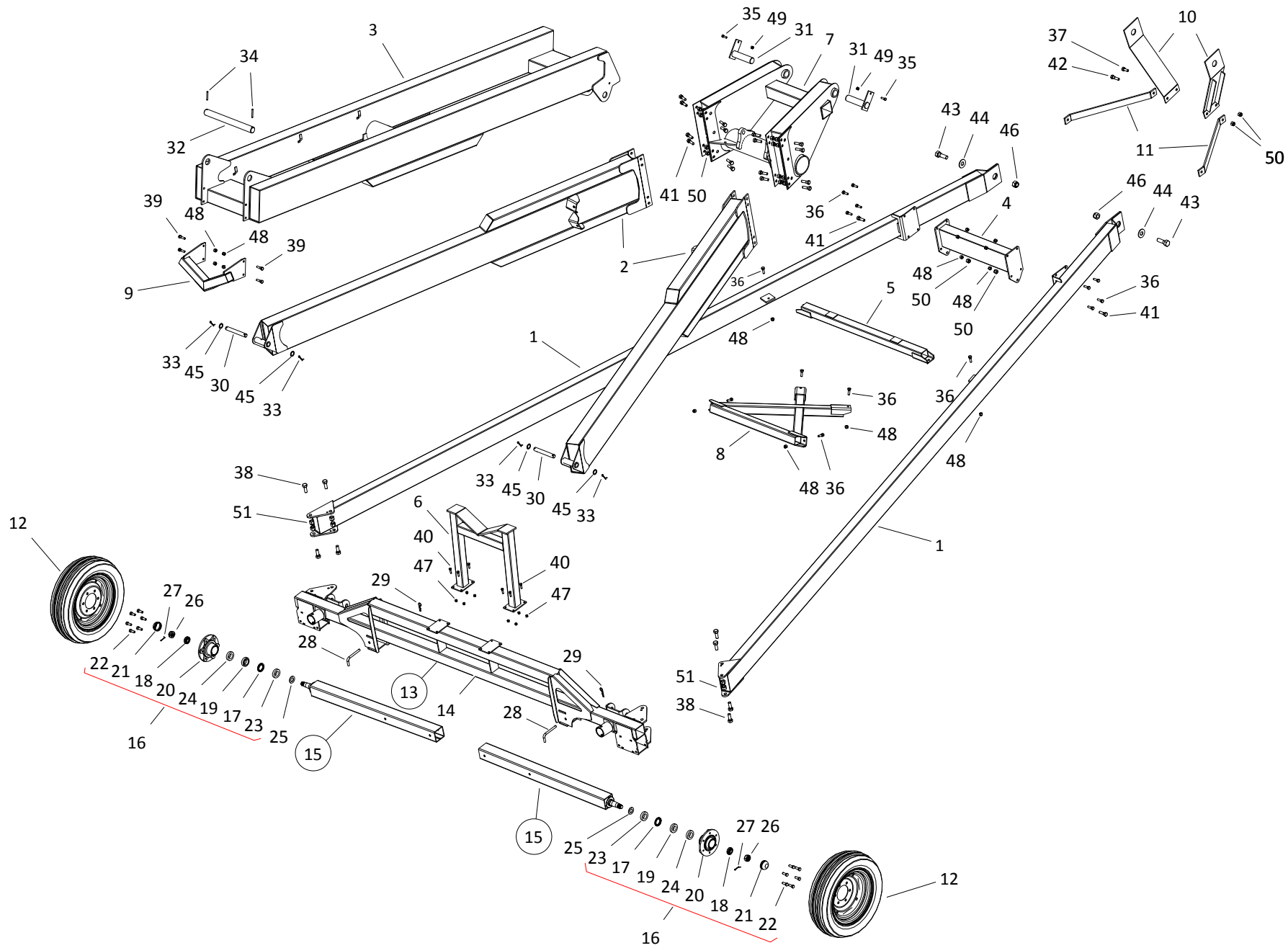
FRAME COMPONENTS, X13-84 (2020)



FRAME COMPONENTS, X13-84 (2020)

ITEM	PART NO.	DESCRIPTION
51	10-19601	3/4" NC NYLON LOCKNUT PLTD

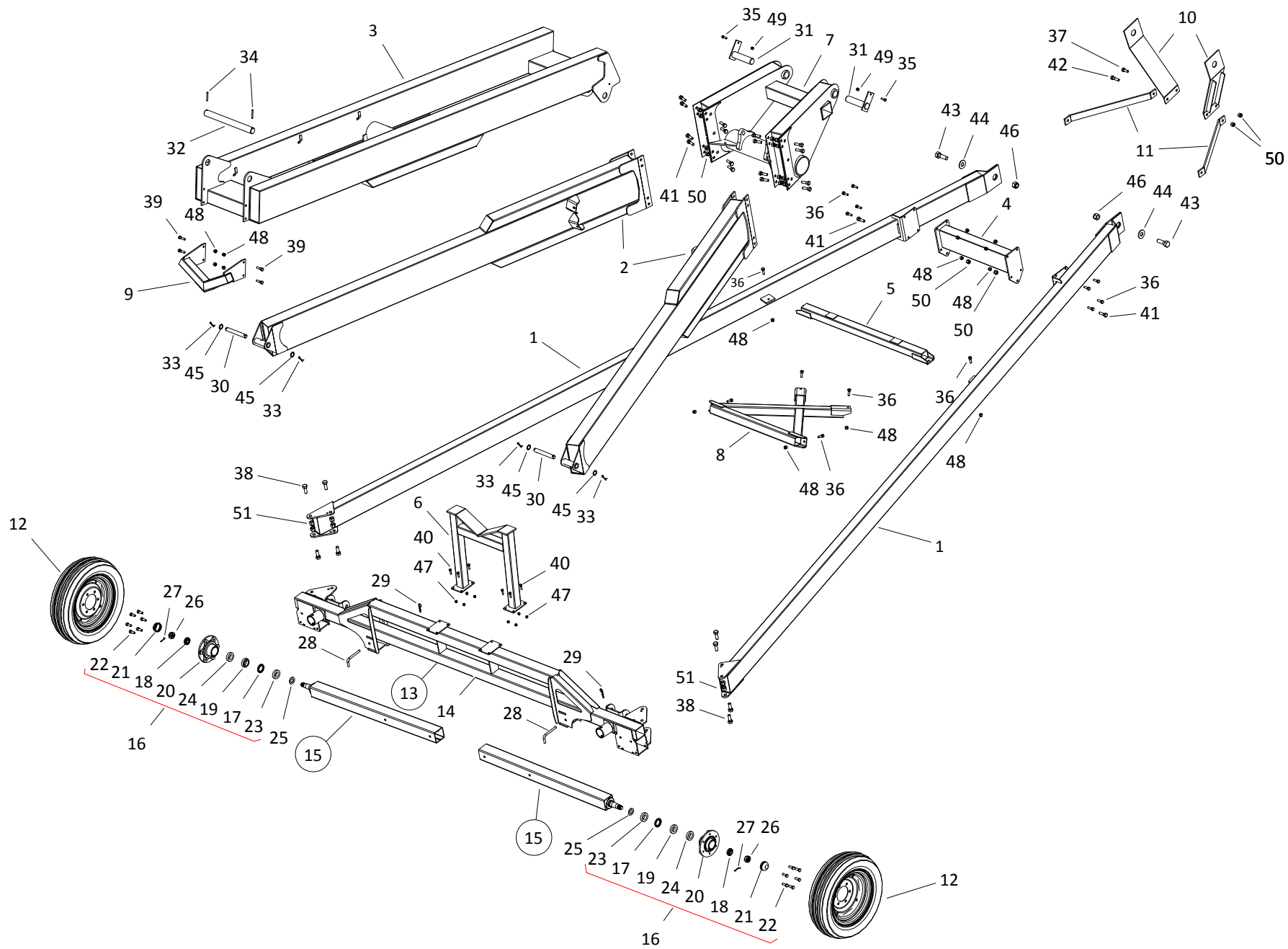
FRAME COMPONENTS, X13-94 (2020)



FRAME COMPONENTS, X13-94 (2020)

ITEM	PART NO.	DESCRIPTION
1	10-29922RD	LOWER ARM
2	10-29924RD	LOWER SCISSOR ARM
3	10-29926RD	UPPER SCISSOR
4	10-29951RD	STABILIZER CROSS MEMBER
5	10-29954RD	SCISSOR REST
6	10-20240RD	TRANSPORT STAND
7	10-29910RD	BOWTIE
8	10-29911RD	BOWTIE CROSSBRACE
9	10-20241RD	TRANSPORT GUIDE
10	10-29950RD	STABILIZER BRACKET
11	10-29953RD	STABILIZER BRACE
12	10-29015	16 X 6 X 6 BOLT WHEEL ASSEMBLY
13	10-22623RD	AXLE ASSY, 1 PIECE
14	10-22621RD	AXLE ONLY, 1 PIECE
15	10-29961	AXLE EXTENSION, RED
16	10-17013	HUB ASSEMBLY
17	10-17006	HUB SEAL
18	10-19265	CONE BEARING
19	10-17007	LG HUB BEARNG
20	10-17009	HUB ASSEMBLY
21	10-17012	DUST CAP
22	10-17561	1/2" X 1-1/4" WHEEL BOLT
23	10-19266	CUP
24	10-17008	LARGE HUB CUP
25	10-17010	1" SAE WASHER PLAIN
26	10-17011	1" NF SLOTTED NUT PLAIN
27	10-19271	COTTER PIN 1/8 X 1-1/2 C.ZINC PLTD
28	10-19648	SADDLE PIN
29	10-19463	210 HITCH PIN
30	10-20049	X13 LOWER SCISSOR ATTACH PIN
31	10-29929RD	SCISSOR PIN
32	10-20079	X13 FRAME ATTACH PIN, UPPER SCISSOR
33	10-18098	COTTER PIN 1/4 X 1-3/4 C.ZINC PLTD
34	10-28584	COILED SPRING PIN 5/16 X 2-1/2 PLNO
35	10-18698	7/16" X 1-1/4" NC BOLT GR 8 PLTD
36	10-19589	1/2" X 1-1/2" NC BOLT GR 8 PLTD
37	10-19590	5/8" X 1-1/2" NC BOLT GR 8 PLTD
38	10-19592	3/4" X 2" NC BOLT GR 8 PLTD
39	10-19974	1/2" X 1-3/4" NC BOLT GR 8 PLTD
40	10-19975	3/8" X 1-1/4" NC BOLT GR 5 PLTD
41	10-19991	5/8" X 2" NC BOLT GR 8 PLTD
42	10-27484	5/8" X 2-1/4" NC BOLT GR 8 PLTD
43	10-28484	1" X 3" NC BOLT GRADE 5 PLTD
44	10-17020	1" FLAT WASHER PLTD
45	10-18097	1" RIM WASHER PLTD
46	10-17019	1" NC NYLON LOCKNUT PLTD
47	10-17402	3/8" NC NYLON LOCKNUT PLTD
48	10-17750	1/2" NC NYLON LOCKNUT GR 5 YLW PLTD
49	10-19598	7/16" NC NYLON LOCKNUT GR 2 PLTD
50	10-19600	5/8" NC NYLON LOCKNUT PLTD

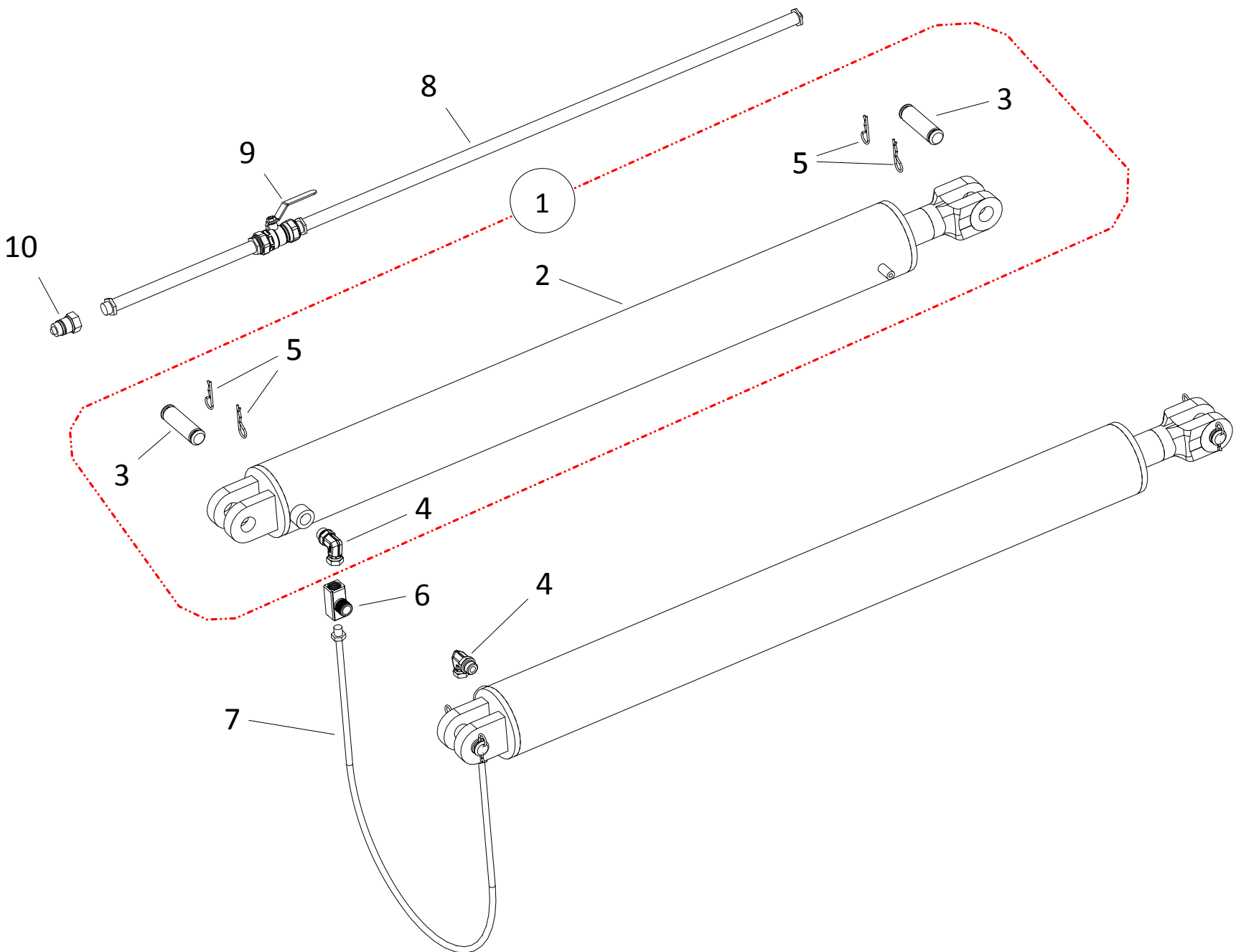
FRAME COMPONENTS, X13-94 (2020)



FRAME COMPONENTS, X13-94 (2020)

ITEM	PART NO.	DESCRIPTION
51	10-19601	3/4" NC NYLON LOCKNUT PLTD

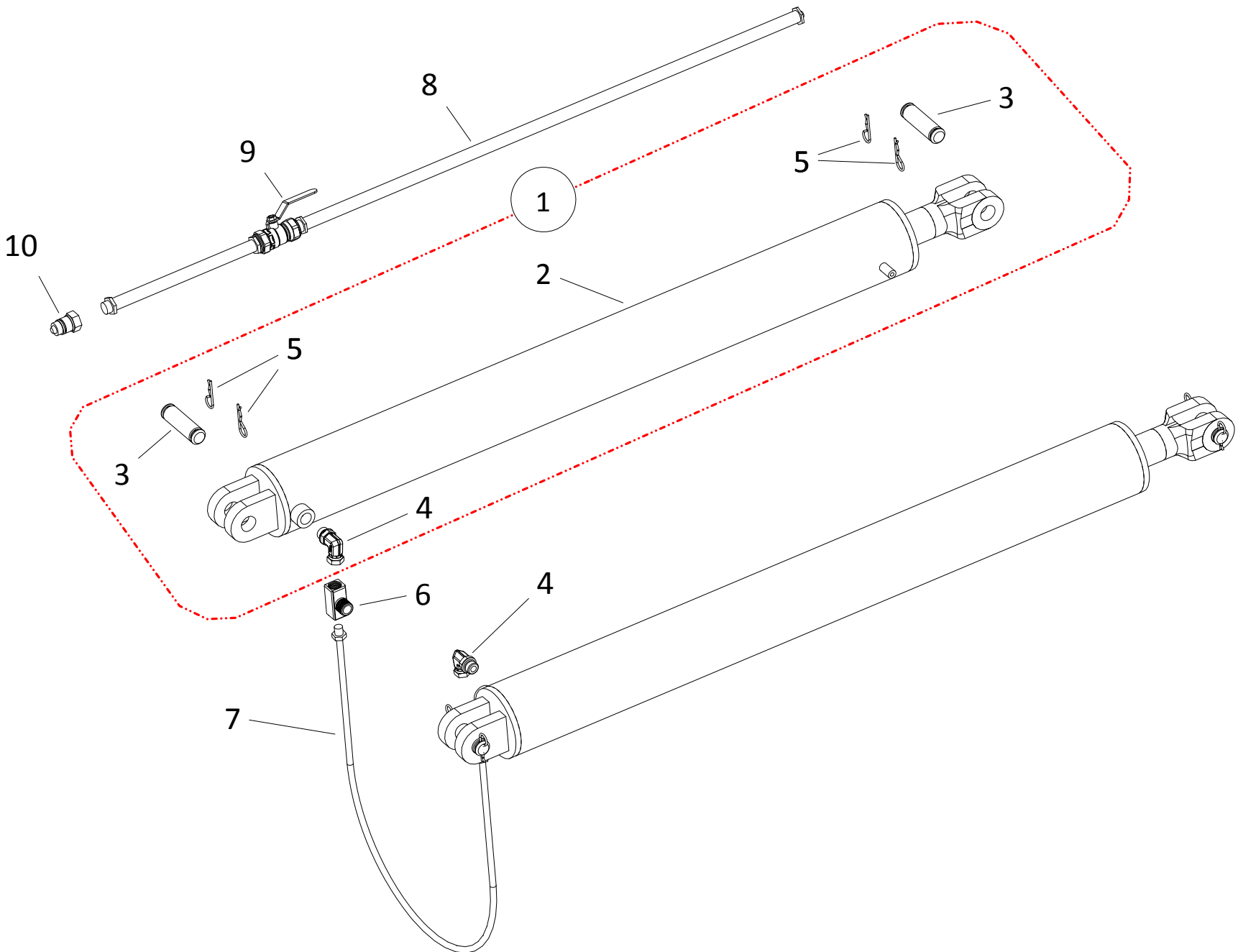
HYDRAULIC LIFT COMPONENTS, X13-74 (2020)



HYDRAULIC LIFT COMPONENTS, X13-74 (2020)

ITEM	PART NO.	DESCRIPTION
1	10-22001	HYD LIFT CYL ASSY
2	9900192	4" BORE X 40" STROKE HYD. CYLINDER
3	4504128	PIN,CYL,DBL GROOVE,1X3-3/8
4	10-28654	STEEL ELBOW 90DEG, 8MORB X 8FNPSM
5	2605004	CLIP,HITCH PIN,EXTERNAL
6	10-18736	3/8 STREET TEE
7	10-28468	HOSE, 3/8" X 2', 2500PSI
8	10-20058	X13 HYDRAULIC HOSE ASSEMBLY KIT (INCLUDES SHORT, LONG HOSE AND BALL VALVE)
9	10-18084	BALL VALVE
10	9900047	PIONEER COUPLER

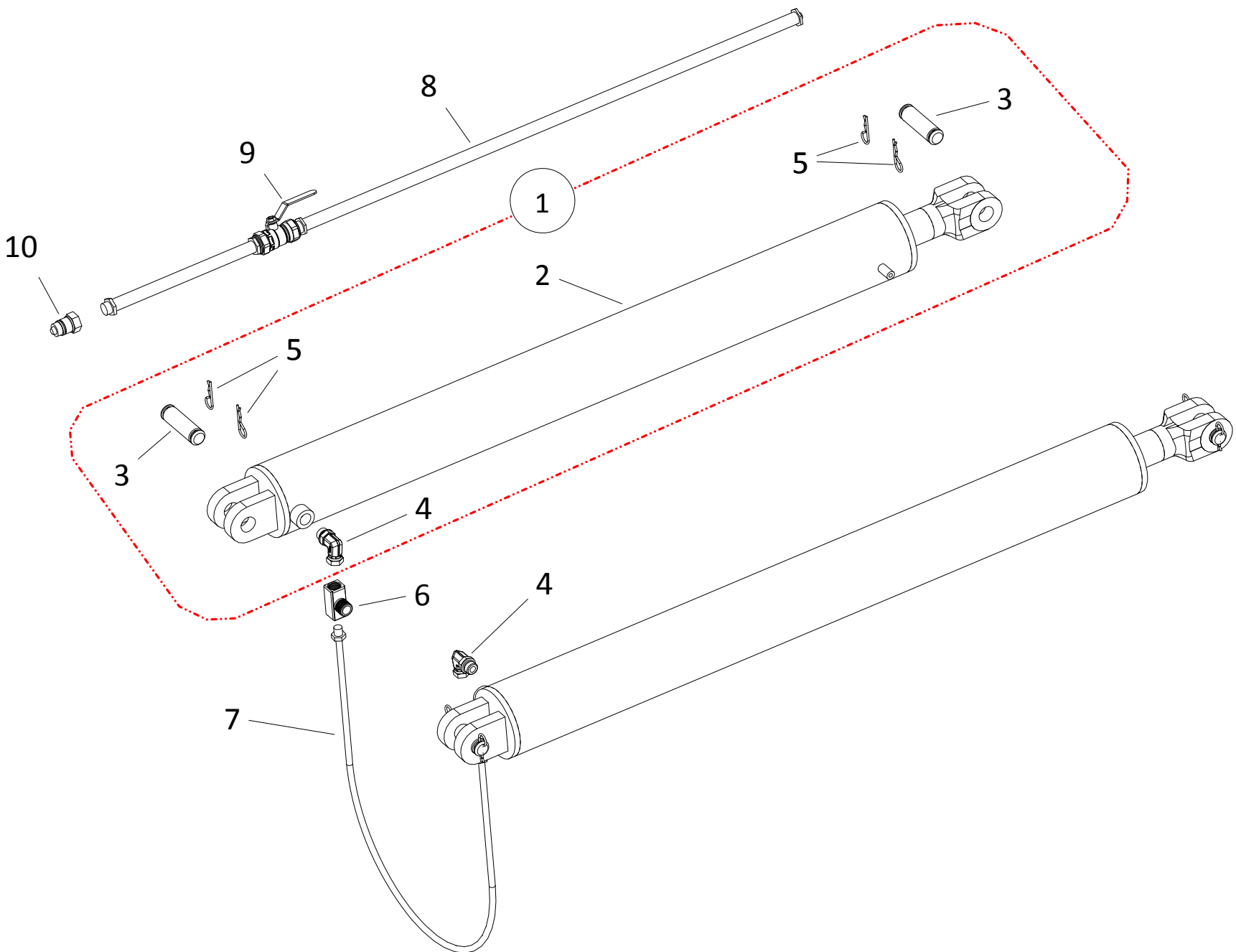
HYDRAULIC LIFT COMPONENTS, X13-84 (2020)



HYDRAULIC LIFT COMPONENTS, X13-84 (2020)

ITEM	PART NO.	DESCRIPTION
1	10-22001	HYD LIFT CYL ASSY
2	9900192	4" BORE X 40" STROKE HYD. CYLINDER
3	4504128	PIN,CYL,DBL GROOVE,1X3-3/8
4	10-28654	STEEL ELBOW 90DEG, 8MORB X 8FNPSM
5	2605004	CLIP,HITCH PIN,EXTERNAL
6	10-18736	3/8 STREET TEE
7	10-28468	HOSE, 3/8" X 2', 2500PSI
8	10-20059	X13 HYDRAULIC HOSE ASSEMBLY KIT (INCLUDES SHORT, LONG HOSE AND BALL VALVE)
9	10-18084	BALL VALVE
10	9900047	PIONEER COUPLER

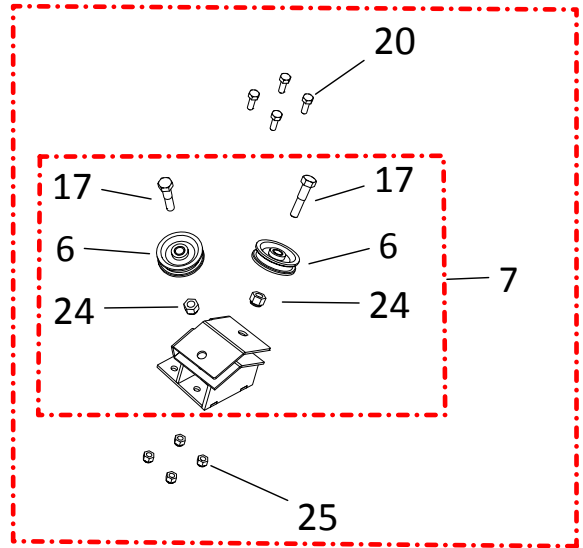
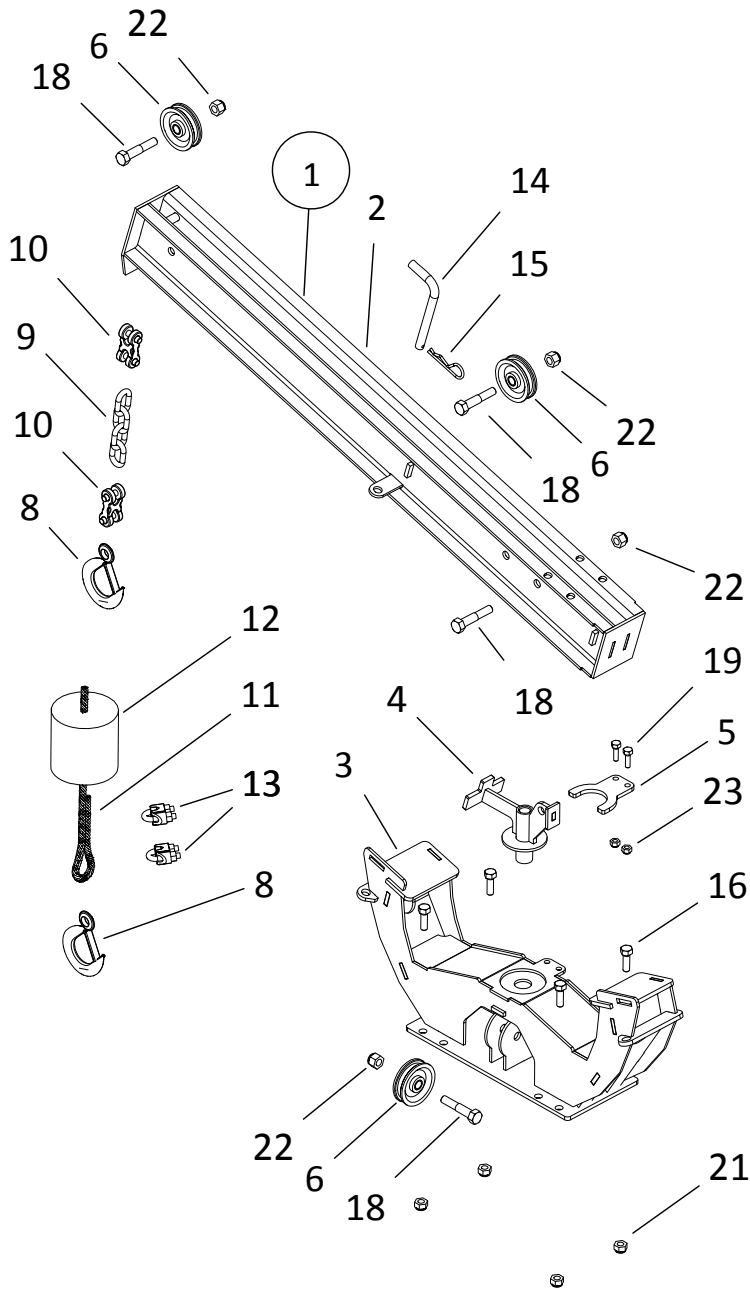
HYDRAULIC LIFT COMPONENTS, X13-94 (2020)



HYDRAULIC LIFT COMPONENTS, X13-94 (2020)

ITEM	PART NO.	DESCRIPTION
1	10-22002	HYD LIFT CYL ASSY
2	9900198	4" BORE X 40" STROKE HYD. CYLINDER
3	4504128	PIN,CYL,DBL GROOVE,1X3-3/8
4	10-28654	STEEL ELBOW 90DEG, 8MORB X 8FNPSM
5	2605004	CLIP,HITCH PIN,EXTERNAL
6	10-18736	3/8 STREET TEE
7	10-28468	HOSE, 3/8" X 2', 2500PSI
8	10-20060	X13 HYDRAULIC HOSE ASSEMBLY KIT (INCLUDES SHORT, LONG HOSE AND BALL VALVE)
9	10-18084	BALL VALVE
10	9900047	PIONEER COUPLER

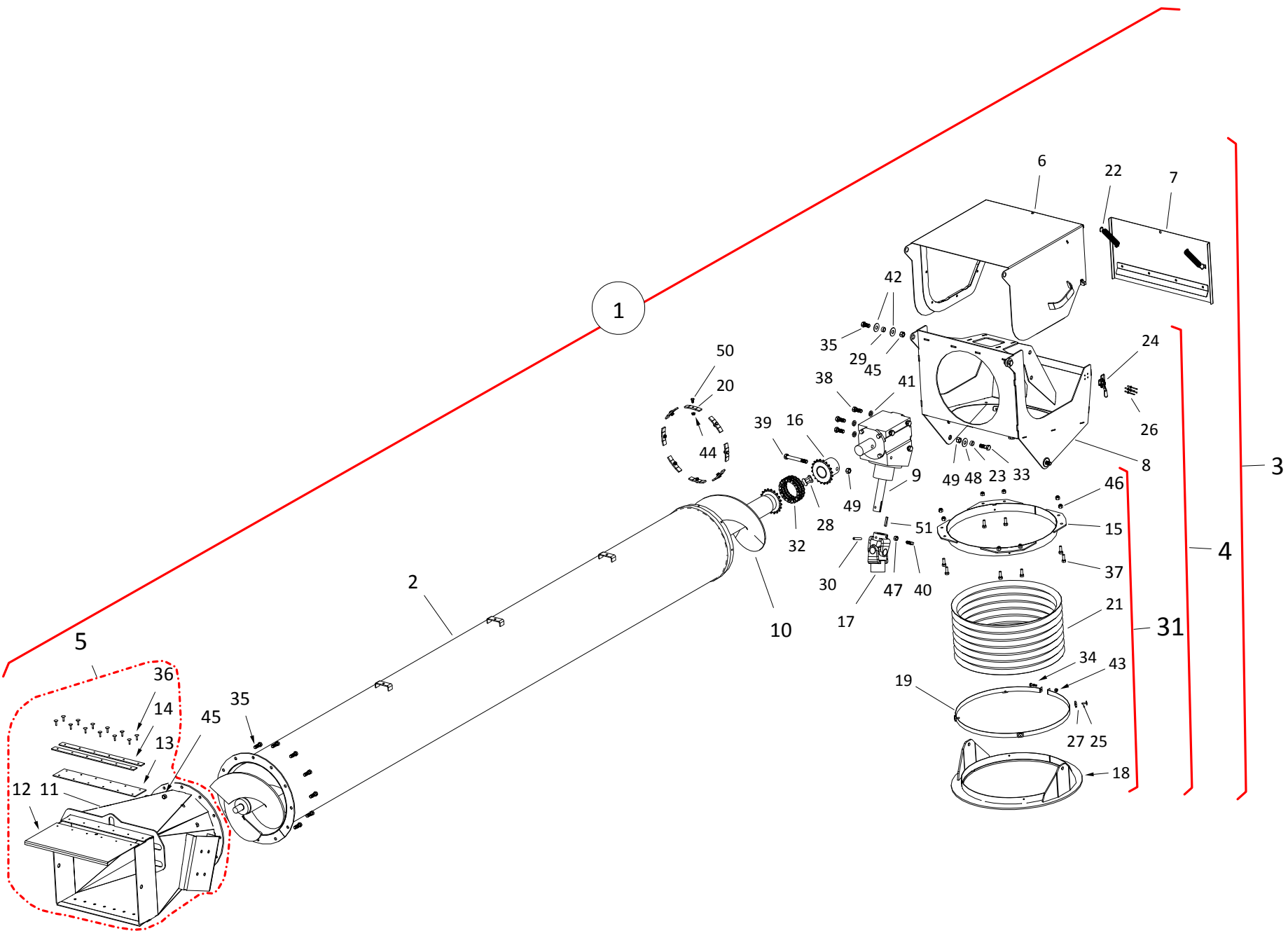
LIFT ARM COMPONENTS, X13 (10 ft SWING)



LIFT ARM COMPONENTS, X13 (10 ft SWING)

ITEM	PART NO.	DESCRIPTION
1	200411RD	ASSEMBLY, HOPPER LIFT ARM
2	200412RD	LIFT ARM
3	200413RD	LIFT ARM BASE
4	200414RD	LIFT ARM SWIVEL
5	200415RD	LIFT ARM SWIVEL HOLDER
6	10-21494	LIFT ARM PULLEY ASSEMBLY
7	10-23134	MKX/X13 LIFTARM PLY GUIDE ASSY(2017
8	10-28997	1/2T EYE HOIST HOOK PAINTED W/LATCH
9	10-21432	5/16" GRADE 30 (4 LINKS) CHAIN
10	10-20083	5/16" MID LINK
11	10-17376	HOPPER CABLE
12	10-20793	HOPPER WEIGHT
13	10-19147	1/4" CABLE CLAMP
14	10-19648	SADDLE PIN
15	10-19463	HITCH PIN
16	10-18698	7/16" X 1-1/4" NC BOLT GR 8 PLTD
17	9900560	1/2" X 2-1/4" NC BOLT GR 5 PLTD
18	10-17403	1/2" X 2-1/2" NC BOLT GR 5 PLTD
19	10-21558	5/16" X 1" BOLT GR 8 PLTD
20	10-18955	3/8" X 1" NC BOLT GR 5 PLTD
21	10-17593	7/16" NC NYLON LOCKNUT GR 5 YLW PLT
22	10-17750	1/2" NC NYLON LOCKNUT GR 5 YLW PLTD
23	10-19980	5/16" NC NYLON LOCKNUT PLTD
24	10-19599	1/2" NC NYLON LOCKNUT GR 2 PLTD
25	10-17402	3/8" NC NYLON LOCKNUT PLTD

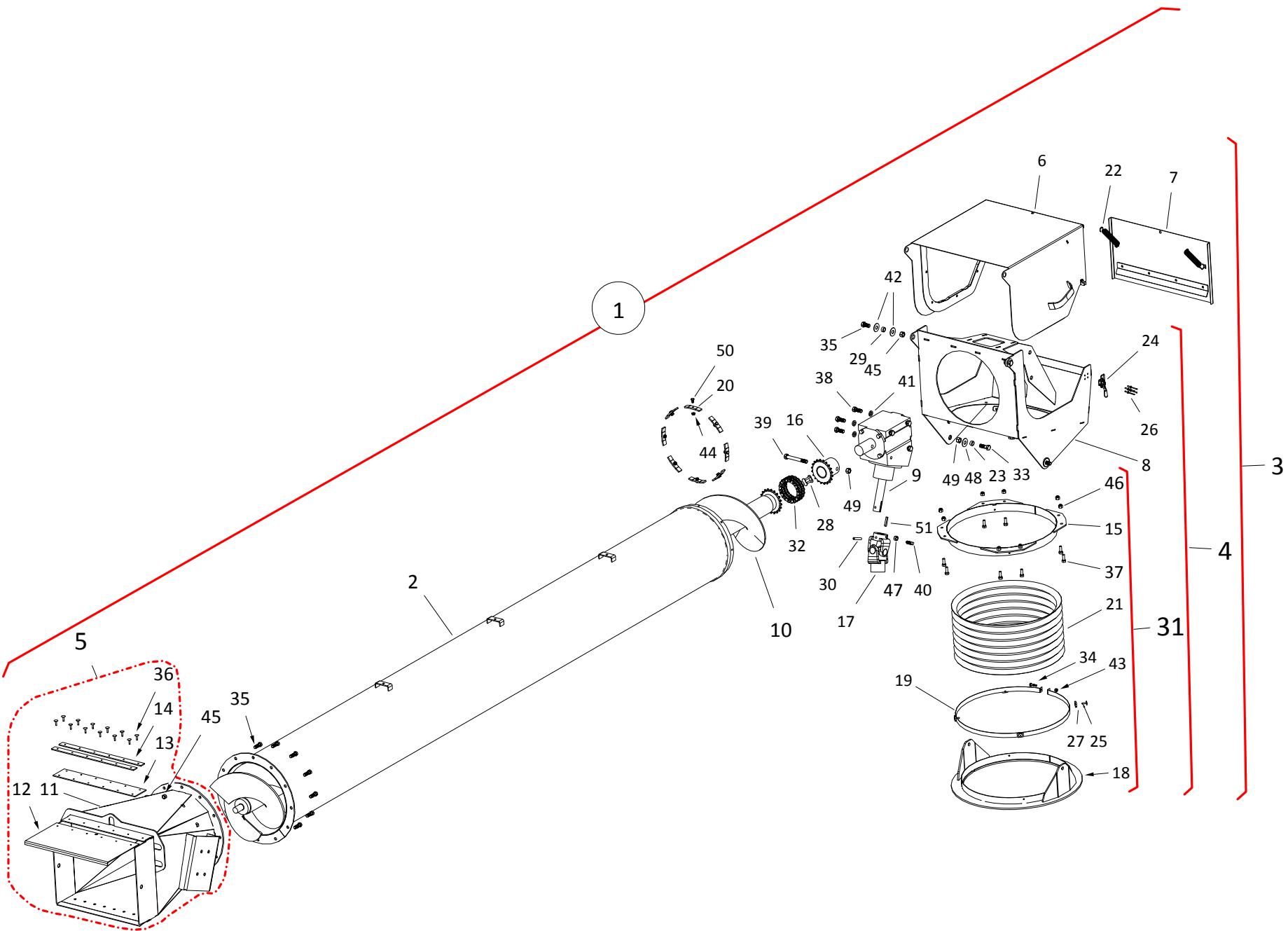
10 ft SWING TUBE, X13



10 ft SWING TUBE, X13

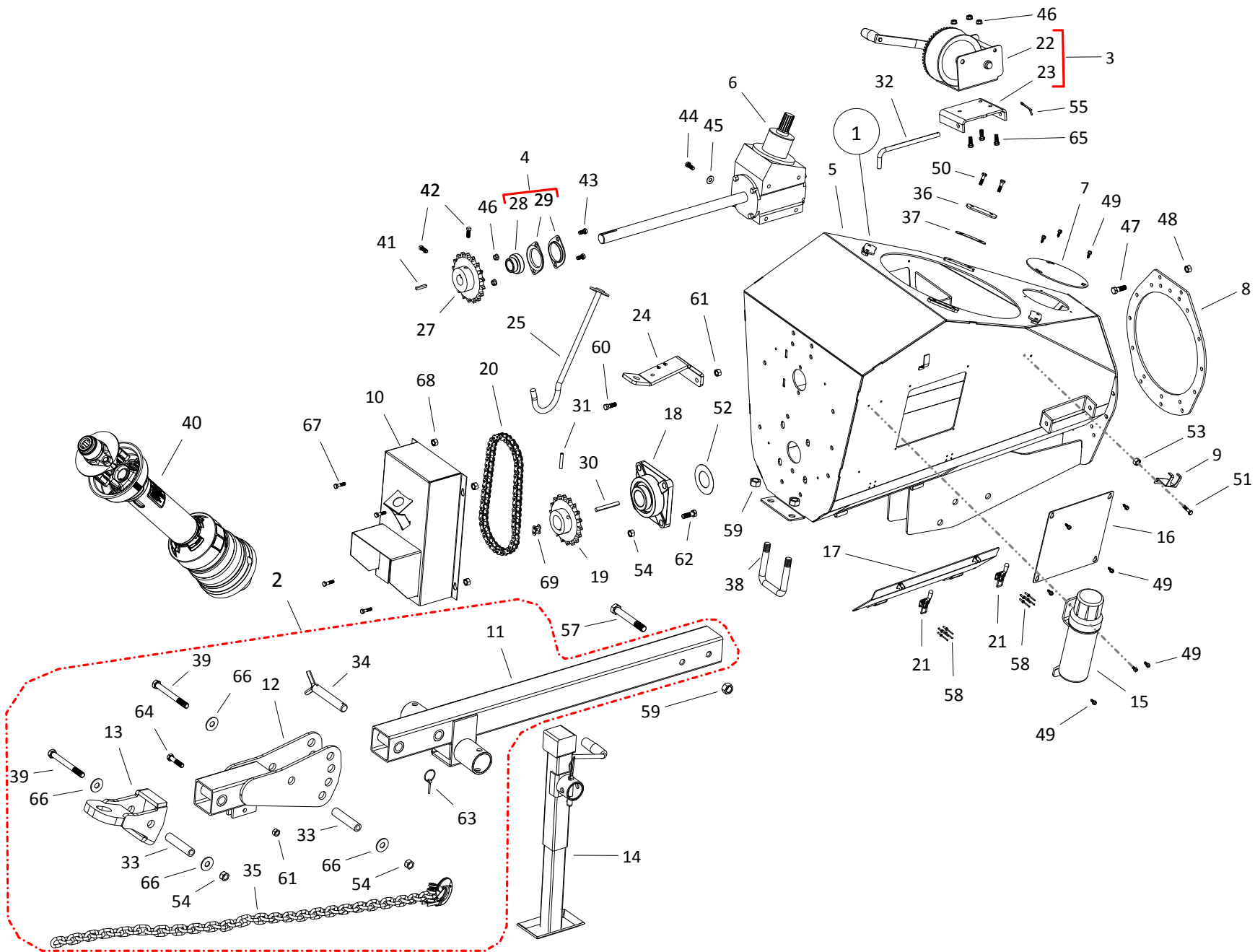
ITEM	PART NO.	DESCRIPTION
1	10-21299	GEAR SWING TUBE BUNDLE W/TRANSITION (2014)
2	10-18931	SWING TUBE ONLY
3	10-21394	SPOUT HEAD W/ LID/DOOR (2014)
4	10-21004	SPOUT HEAD ASSEMBLY (2014)
5	200406RD	ASSEMBLY, LP TRANSITION
6	10-21022	SPOUT HEAD LID (2014)
7	10-21002	SPOUT HEAD DOOR (2014)
8	200392RD	SPOUT HEAD (2019)
9	10-27560	UPPER GEARBOX
10	10-29993	SWING FLIGHT
11	200407RD	LP TRANSITION
12	10-21100	TRANSITION ACCESS DOOR
13	10-21101	TRANSITION BELT
14	10-21102	TRANSITION BELT STRAP
15	200391RD	SPOUT HEAD HOSE RING
16	10-29992	GEARBOX CONNECTOR
17	10-29139	SPLINED U-JOINT (BLACK)
18	10-21097	SPOUTHEAD BASE (2014)
19	10-20063	HOSE STRAP, SPOUT HEAD
20	10-18877	SPOUT ATTACH PLATE
21	10-29176	18" ID X 15" CLEAR FLEX HOSE
22	10-18728	EXTENSION SPRING
23	10-21021	SPOUT HEAD BUSHING
24	10-20052	LATCH & CATCH
25	10-18185	LARGE FLANGE RIVET
26	10-23769	5/32 X 39/64 RIVET, LOW PROFILE
27	10-29252	DUCTING SECURE TAB
28	10-20048	#50 DOUBLE CONNECTOR LINK
29	10-27889	LEVELLER BUSHING
30	10-18079	COILED SPRING PIN 5/16 X 2 PLN.O
31	05-A449	SPOUT HEAD-HOSE RING REPLACEMENT
32	10-29895	#50-19P DOUBLE ROLLER CHAIN
33	10-19589	1/2" X 1-1/2" NC BOLT GR 8 PLTD
34	10-19988	1/4" X 1" NC BOLT GR 2 PLTD
35	10-18698	7/16" X 1-1/4" NC BOLT GR 8 PLTD
36	10-20399	3/16" X 5/8" GRIP RIVET
37	10-18955	3/8" X 1" NC BOLT GR 5 PLTD
38	10-19588	1/2" X 1-1/4" NC BOLT GR 5 PLTD
39	10-18947	1/2" X 4" NC BOLT GR 8 PLTD
40	10-29119	SETSCREW, 3/8" X 1" GR8 SQ HEAD
41	10-19605	1/2" LOCK WASHER PLTD
42	10-17182	1"OD X 29/64"ID X 10 GA WASHER PLTD
43	10-28449	1/4" NC NYLON LOCKNUT PLTD
44	10-19594	1/4" NC SERRATED FLANGE NUT PLTD
45	10-19598	7/16" NC NYLON LOCKNUT GR 2 PLTD
46	10-17402	3/8" NC NYLON LOCKNUT PLTD
47	10-17754	3/8" NC HEX NUT PLAIN
48	10-17401	1/2" FLAT WASHER PLTD
49	10-19599	1/2" NC NYLON LOCKNUT GR 2 PLTD
50	10-19537	1/4" X 1/2" HEX WSHR HEAD GR 5 PLTD

10 ft SWING TUBE, X13



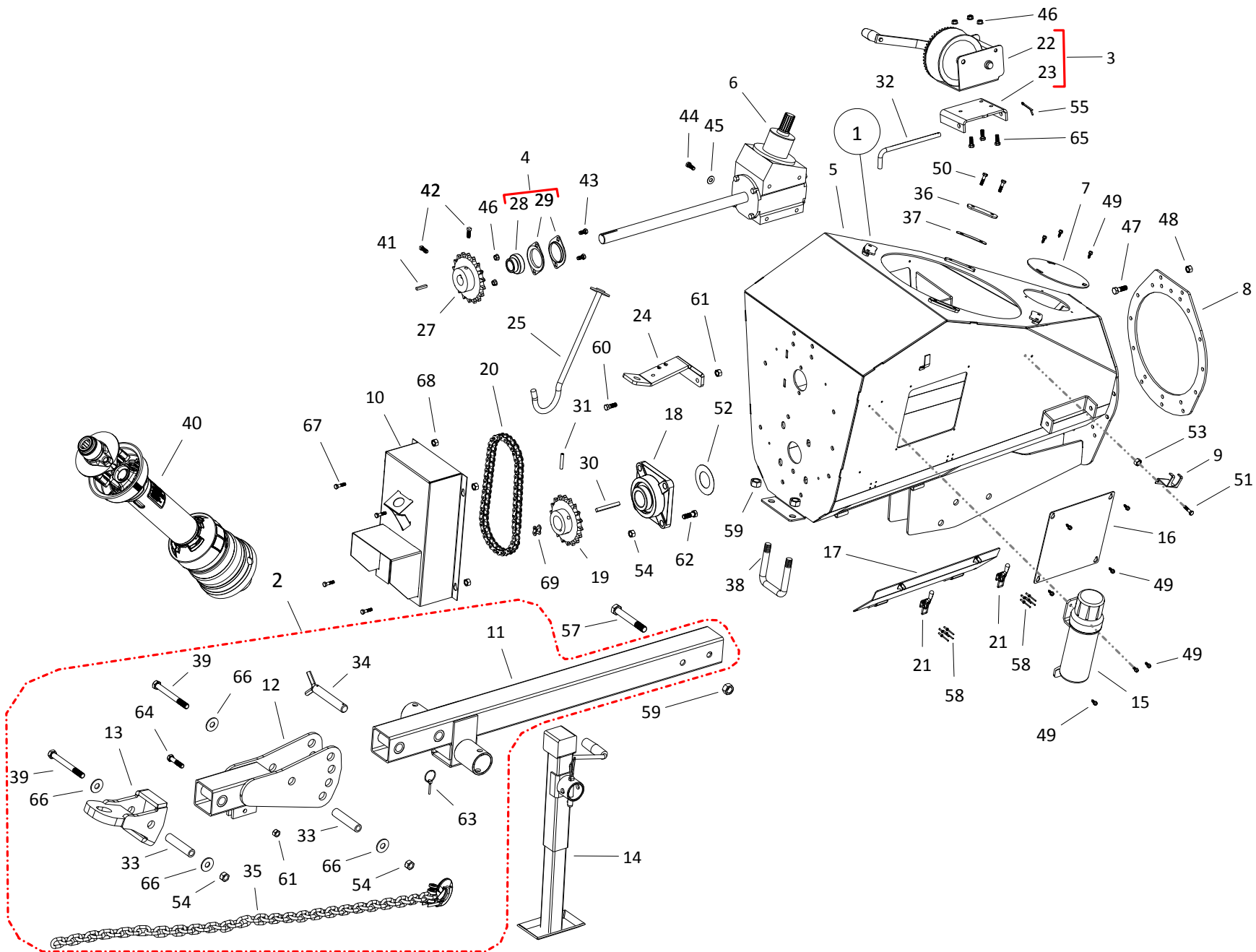
10 ft SWING TUBE, X13

ITEM	PART NO.	DESCRIPTION
51	10-19606	1/4" X 1-1/2" SQUARE KEY



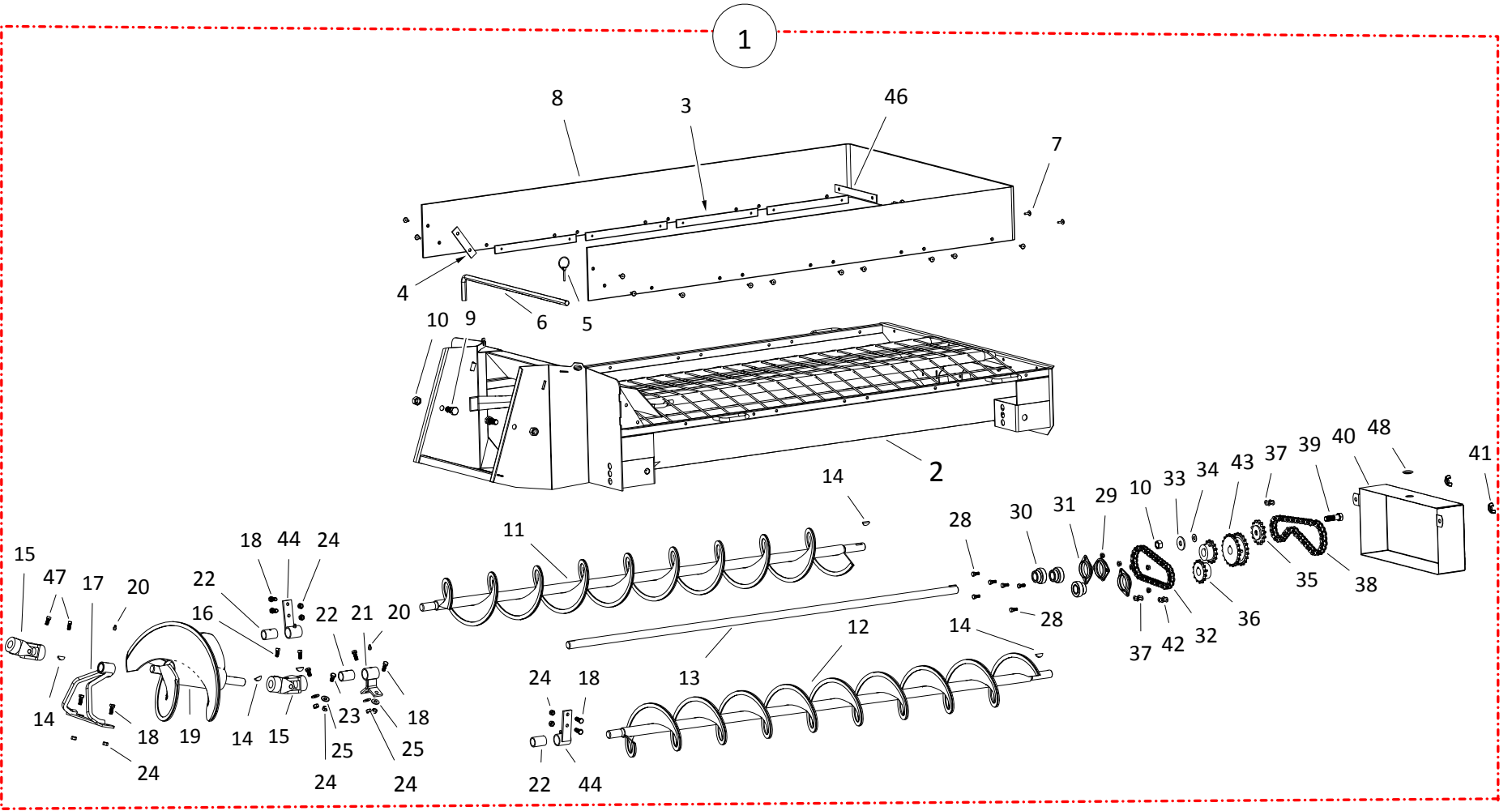
BOOT, X13

ITEM	PART NO.	DESCRIPTION
1	10-29991	BOOT ASSEMBLY
2	10-22933	TOW BAR ASSEMBLY
3	10-22534	WINCH MOUNT ASSEMBLY
4	10-19322	1-1/4 FLANGE BEARING ONLY
5	10-29976	BOOT ONLY
6	10-29085	LOWER GEARBOX
7	10-17374	ACCESS COVER
8	10-29999	BOOT-TUBE ATTACH PLATE
9	10-21932	SHUTOFF VALVE HOLDER
10	10-20062	SPROCKET COVER
11	10-22876	LONG TOW BAR
12	10-22878	SHORT TOW BAR
13	10-22877	HITCH
14	10-28930	JACK
15	10-29755	WATERPROOF PLASTIC MANUAL HOLDER
16	10-20061	BOOT SERVICE DOOR
17	10-29982	BOOT CLEANOUT DOOR
18	10-20015	2" PILLOW BLOCK BEARING
19	10-18525	80B18 X 1-3/4 SPROCKET
20	10-19781	CHAIN,#80X37P (HEAVY)
21	10-20052	LATCH & CATCH
22	10-19152	WINCH & HANDLE
23	10-22533	WINCH BRACKET
24	10-20042	PTO BRACKET
25	10-18537	TRANSPORT SADDLE
27	10-19779	80B18 X 1-1/4 SPROCKET
28	10-18853	1-1/4 FLANGE BEARING ONLY
29	10-18695	1-1/4" FLANGE, 2-HOLE
30	10-18541	3/8" X 3-3/8" SQUARE KEY
31	10-18546	COILED SPRING PIN 3/8 X 2-1/2 PLN.O
32	10-18074	MOUNT PIN
33	10-22882	TOW BAR BUSHING, PLATED
34	10-20768	TOW BAR PIN
35	10-20836	SAFETY CHAIN (52" LONG)
36	10-29166	SPOUT HEAD RETAINER
37	10-29152	LRG BOOT RETAINER SPACER
38	10-28487	UBOLTSQ3/4NCX3-1/2X5X1-1/2THDGR5PLT
39	10-20163	5/8" X 6" NC BOLT GR 5 PLTD
40	10-18455	BLACK END CV PTO SHFT (74' ONLY)
40	10-29140	YELLOW END CV PTO SHAFT (84'/94' ONLY)
41	10-19606	1/4" X 1-1/2" SQUARE KEY
42	10-29119	SETSCREW, 3/8" X 1" GR8 SQ HEAD
43	10-19540	3/8" X 3/4" NC BOLT GR 5 PLTD
44	10-19588	1/2" X 1-1/4" NC BOLT GR 5 PLTD
45	10-19605	1/2" LOCK WASHER PLTD
46	10-19596	3/8" NC SERRATED FLANGE NUT PLTD
47	10-18698	7/16" X 1-1/4" NC BOLT GR 8 PLTD
48	10-17593	7/16" NC NYLON LOCKNUT GR 5 YLW PLT
49	10-19274	#14 X 5/8" SMS AB GR 5 PLTD
50	10-19540	3/8" X 3/4" NC BOLT GR 5 PLTD



BOOT, X13

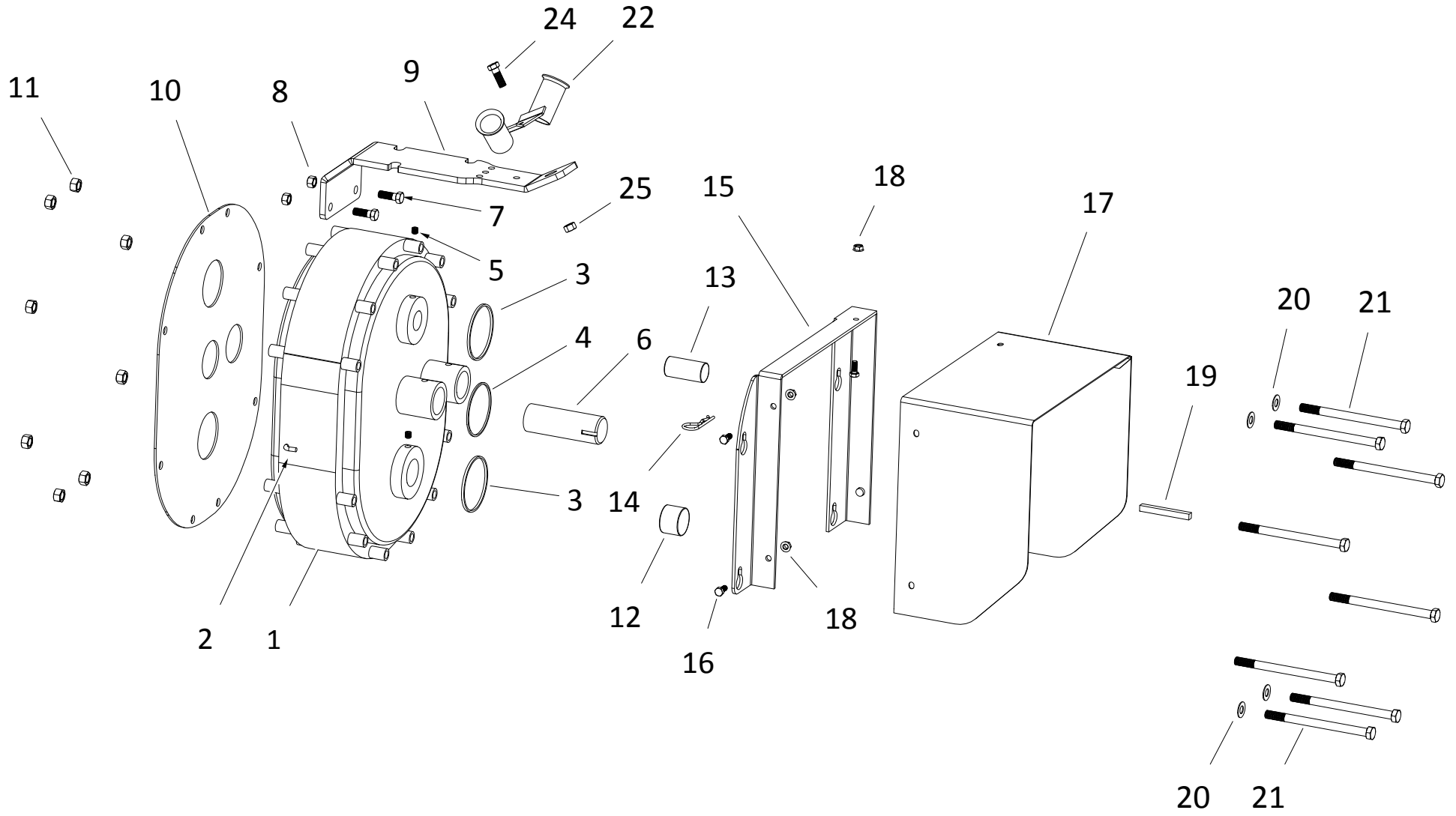
ITEM	PART NO.	DESCRIPTION
51	9900800	1/4" X 3/4" NC BOLT GR 5 PLTD
52	10-20084	3.75" X 2.050" X 24 GA WASHER PLTD
53	10-28449	1/4" NC NYLON LOCKNUT PLTD
54	10-19600	5/8" NC NYLON LOCKNUT PLTD
55	10-19463	210 HITCH PIN
57	10-29997	3/4" X 5-1/2" NC BOLT GR 8 PLTD
58	10-23769	5/32 X 39/64 RIVET, LOW PROFILE
59	10-19601	3/4" NC NYLON LOCKNUT PLTD
60	10-19589	1/2" X 1-1/2" NC BOLT GR 8 PLTD
61	10-19599	1/2" NC NYLON LOCKNUT GR 2 PLTD
62	10-19991	5/8" X 2" NC BOLT GR 8 PLTD
63	10-29998	LYNCH PIN 3/16 X 1-1/4 Y.ZINC PLTD
64	9900560	1/2" X 2-1/4" NC BOLT GR 5 PLTD
65	10-18955	3/8" X 1" NC BOLT GR 5 PLTD
66	10-19966	5/8" FLAT WASHER PLTD
67	10-19538	5/16" X 3/4" NC BOLT GR 2 PLTD
68	10-19980	5/16" NC NYLON LOCKNUT PLTD
69	10-19323	#80HR CONNECTOR LINK(HEAVY)



HOPPER, X13

ITEM	PART NO.	DESCRIPTION
1	10-29984	LP HOPPER ASSEMBLY
2	10-29978	LP HOPPER ONLY
3	10-22051	12-1/2 BELTING ATTACH STRAP
4	10-22049	4-3/4 BELTING ATTACH STRAP
5	10-29998	LYNCH PIN 3/16 X 1-1/4 Y.ZINC PLTD
6	10-20461	LP DOOR PIN, BENT
7	10-20399	3/16" X 5/8" GRIP RIVET
8	10-29896	LP RUBBER BELTING
9	10-19590	5/8" X 1-1/2" NC BOLT GR 8 PLTD
10	10-19600	5/8" NC NYLON LOCKNUT PLTD
11	10-29963	LP HOPPER FLIGHT, LH
12	10-17345	LP HOPPER FLIGHT, RH
13	10-17347	LP DRIVESHAFT
14	10-19224	1/4" X 1" WOODRUFF KEY PLAIN
15	10-29175	6R U-JOINT (1"RD X 1")(BLACK)
15A	10-17029	CROSS KIT
16	10-29117	SETSCREW, 3/8" X 5/8" GR8 SQ HEAD
17	200399	NECK FLIGHT SUPPORT
18	10-18955	3/8" X 1" NC BOLT GR 5 PLTD
19	10-29965	NECK FLIGHT
20	10-19222	GREASE FTG ZERK 1/4-28 SAE CZ PLTD
21	10-17352	BUSHING SUPPORT, LP HOPPER SHAFT
22	10-19149	1" BUSHING
23	10-19540	3/8" X 3/4" NC BOLT GR 5 PLTD
24	10-17402	3/8" NC NYLON LOCKNUT PLTD
25	10-17392	3/8" FLAT WASHER PLTD
26	10-17522	LOW PRO HOPPER WHEEL
27	10-19463	HITCH PIN
28	10-19538	5/16" X 3/4" NC BOLT GR 2 PLTD
29	10-19595	5/16" NC SERRATED FLANGE NUT PLTD
30	10-18817	FLANGE BEARING ONLY
31	10-18694	FLANGE
32	10-17369	LP HOPPER CHAIN
33	10-19966	5/8" FLAT WASHER PLTD
34	10-18096	5/8" RIM WASHER PLTD
35	10-29894	50C15 X 5/8 IDLER SPROCKET
36	10-19131	50B14 X 1 SPROCKET
37	10-20430	#50 (HEAVY) CONNECTOR LINK
38	10-20516	CHAIN, LP HOPPER (#50 X 47)
39	10-27484	5/8" X 2-1/4" NC BOLT GR 8 PLTD
40	10-29981	LP CHAIN COVER
41	10-20082	3/8" WING NUT PLTD
42	10-17389	#50 OFFSET LINK (HEAVY)
43	10-17349	DS50A20 X 1 SPROCKET
44	10-17583	BUSHING SUPPORT
45	10-17394	LP FIXED WHEEL AXLE
46	10-22050	10 BELTING ATTACH STRAP
47	10-19225	SETSCREW, 3/8" UNC X 3/8" REGULAR
48	10-17584	PLUG

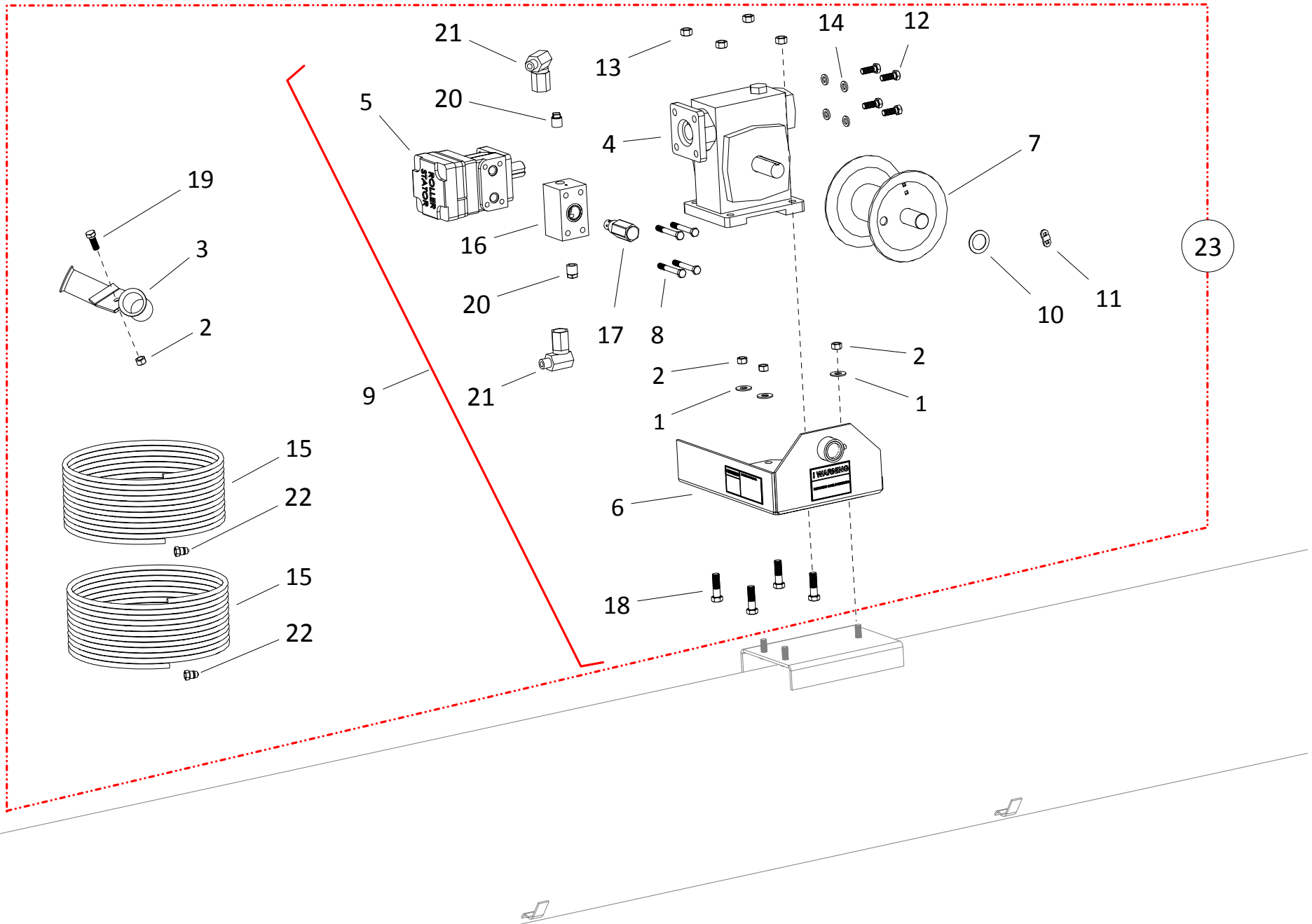
27



SPEED REDUCER (A262)

ITEM	PART NO.	DESCRIPTION
1	10-27710	M1000-3 SPEED REDUCER
2	10-28603	BREATHER TUBE AND VENT PLUG
2A	10-20353	VENT PLUG ONLY
3	10-28527	OIL SEAL (95 X 75 X 10)
4	10-28526	OIL SEAL (80 X 60 X 12)
5	10-19608	5/16" X 3/8" SET SCREW
6	10-28305	REPLACEMENT SPLINE SHAFT
7	10-18698	7/16" X 1-1/4" BOLT GR8
8	10-19598	7/16" NYLON LOCKNUT GR2
9	10-20043	X13 PTO PTO BAR
10	10-29996	X13 REDUCER SEALING PLATE
11	10-19599	1/2" NYLON LOCKNUT GR2
12	10-27722	MKP130 SR BTM SHAFT, 1-3/4"
13	10-27721	MKP130 SR TOP SHAFT, 1-1/4"
14	10-19463	210 HITCH PIN
15	10-20040	X13 REDUCER SHIELD BRACKET
16	10-19538	5/16" X 3/4" BOLT GR 2
17	10-20041	X13 REDUCER PTO SHIELD
18	10-19595	5/16" SERRATED FLANGE NUT
19	10-17066	3/8" X 1-3/4" SQ KEY
20	10-17401	1/2" FLAT WASHER
21	10-27719	1/2" X 7" BOLT GR5
22	10-17467	DOUBLE HOSE HOLDER
24	10-18955	3/8" X 1" NC BOLT GR 5 PLTD
25	10-17402	3/8" NC NYLON LOCKNUT PLTD
26	10-29272	LOCKING SYSTEM KIT
27	05-A262	SPEED REDUCER KIT

HYDRAULIC WINCH (A266)

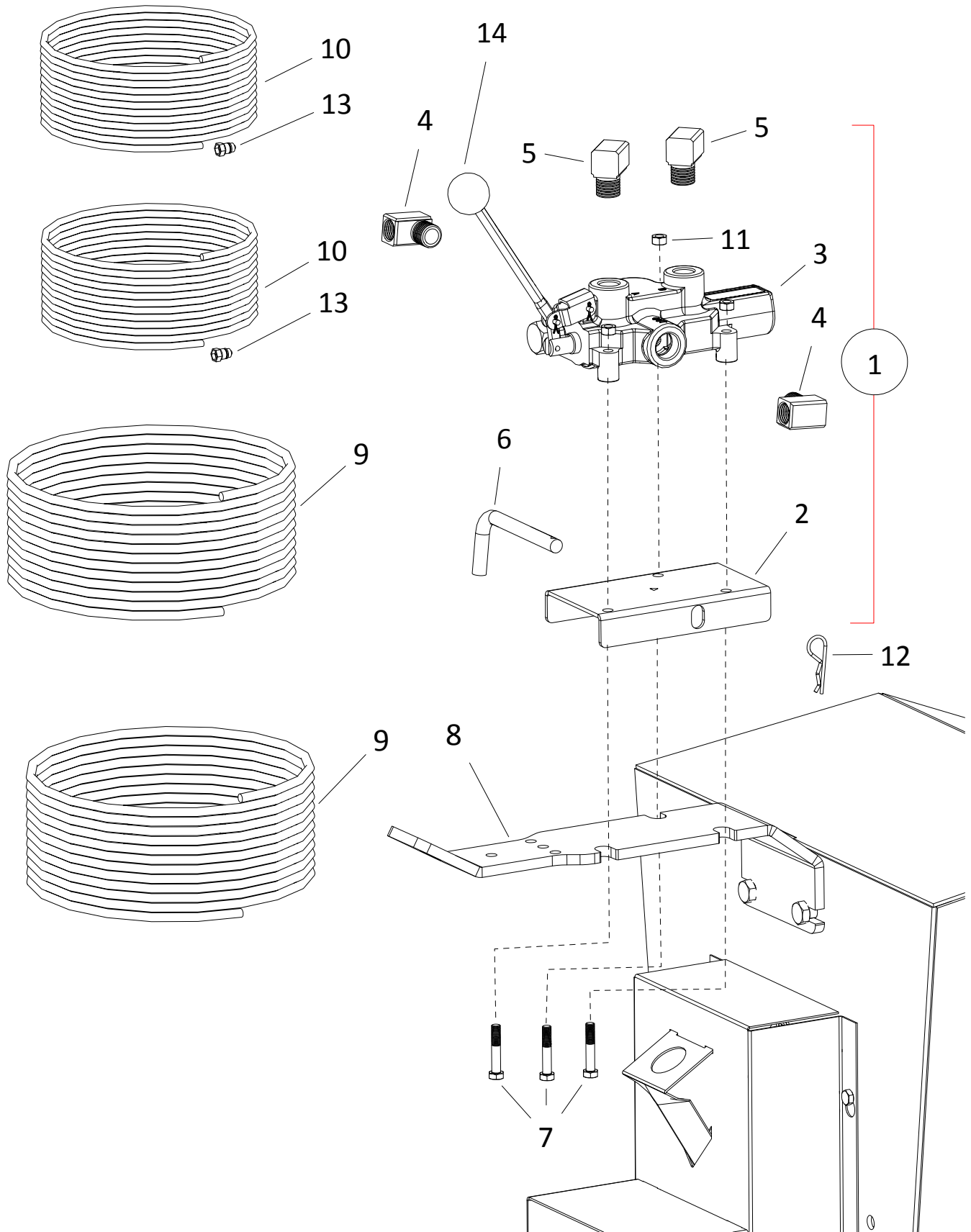


HYDRAULIC WINCH (A266)

ITEM	PART NO.	DESCRIPTION
1	10-17392	WASHER 3/8" FLAT PLTD
2	10-17402	3/8" NYLON LOCKNUT
3	10-17467	DOUBLE HOSE HOLDER
4	10-17625	HYDRAULIC WINCH GEARBOX
5	10-17626	HYDRAULIC MOTOR
6	10-17628	HYD WINCH FRAME ASSM RED
7	10-17629	HYD WINCH DRUM RED
8	10-17631	5/16" X 2-1/2" NC BOLT GR 2 PLTD
9	10-17634	HYDRAULIC WINCH ASSEMBLY, RED
10	10-18097	1" RIM WASHER PLTD
11	10-18496	ROPE KEEPER KIT
12	10-18955	BOLT 3/8" X 1"
13	10-19598	LOCKNUT 7/16"
14	10-19604	LOCKWASHER 3/8"
15	10-20037	1/2" X 236" HYDRAULIC HOSE
16	10-28221	MANIFOLD WINCH RELIEF BLOCK
17	10-28222	VALVE WINCH NON-ADJ RELIEF MANIFOLD
18	10-28744	7/16 X 1-1/2 NC BOLT GR5 PLTD
19	10-29246	3/8" X 1" GR8 SHEAR BOLT
20	0308013	3/8" NTP PLASTIC PLUG
21	1100625	STEEL ELBOW 90,1/2FNPSMX3/8MNPT
22	9900047	PIONEER COUPLER
23	05-A266	MKX/X/HX13 HYDRAULIC HOPPER LIFT KIT

HYDRAULIC VALVE (A335)

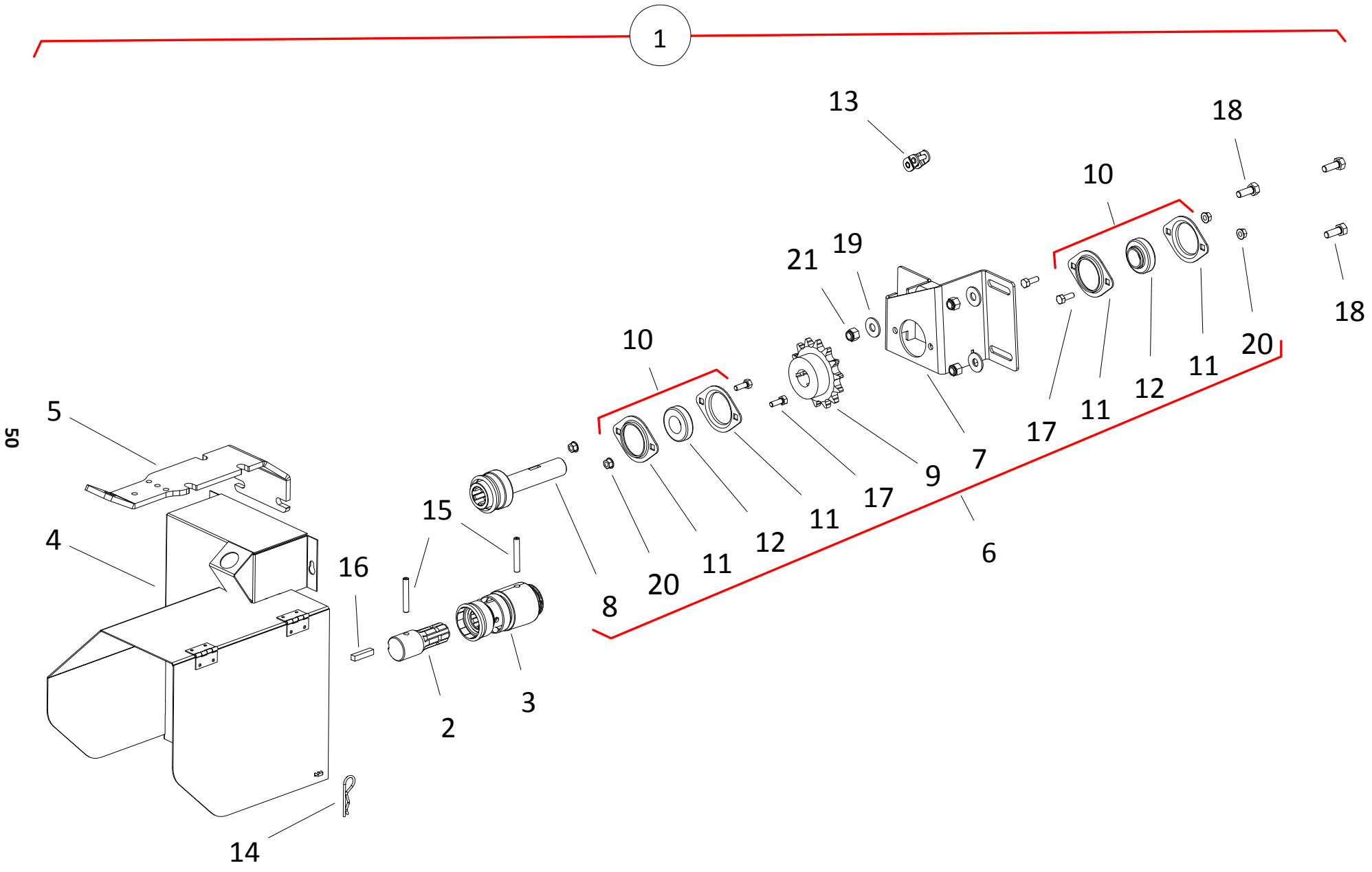
15



HYDRAULIC VALVE (A335)

ITEM	PART NO.	DESCRIPTION
1	10-20132	HYD VALVE ASSEMBLY
2	10-20044	VALVE MOUNT PLATE
3	10-17675	HYD VALVE ONLY
4	10-29087	STEEL ELBOW 90, 12MNPT X 8FNPSM
5	10-28478	STEEL ELBOW 90, 8MNPT x 8FNPSM
6	10-19648	SADDLE PIN
7	10-17712	5/16" X 1-3/4" BOLT GR 5
8	10-20043	PTO/VALVE BRACKET, 10"/13"
9	10-29363	1/2" X 150" HYDRAULIC HOSE
10	10-29371	1/2" X 80" HYDRAULIC HOSE
11	10-19980	5/16" NC NYLON LOCKNUT PLTD
12	10-17383	3610 GRIP CLIP
13	9900047	PIONEER COUPLER
14	10-27590	POWERSWING VALVE HANDLE KIT
15	05-A335	HYDRAULIC VALVE ASSEMBLY KIT

REVERSER (A263)

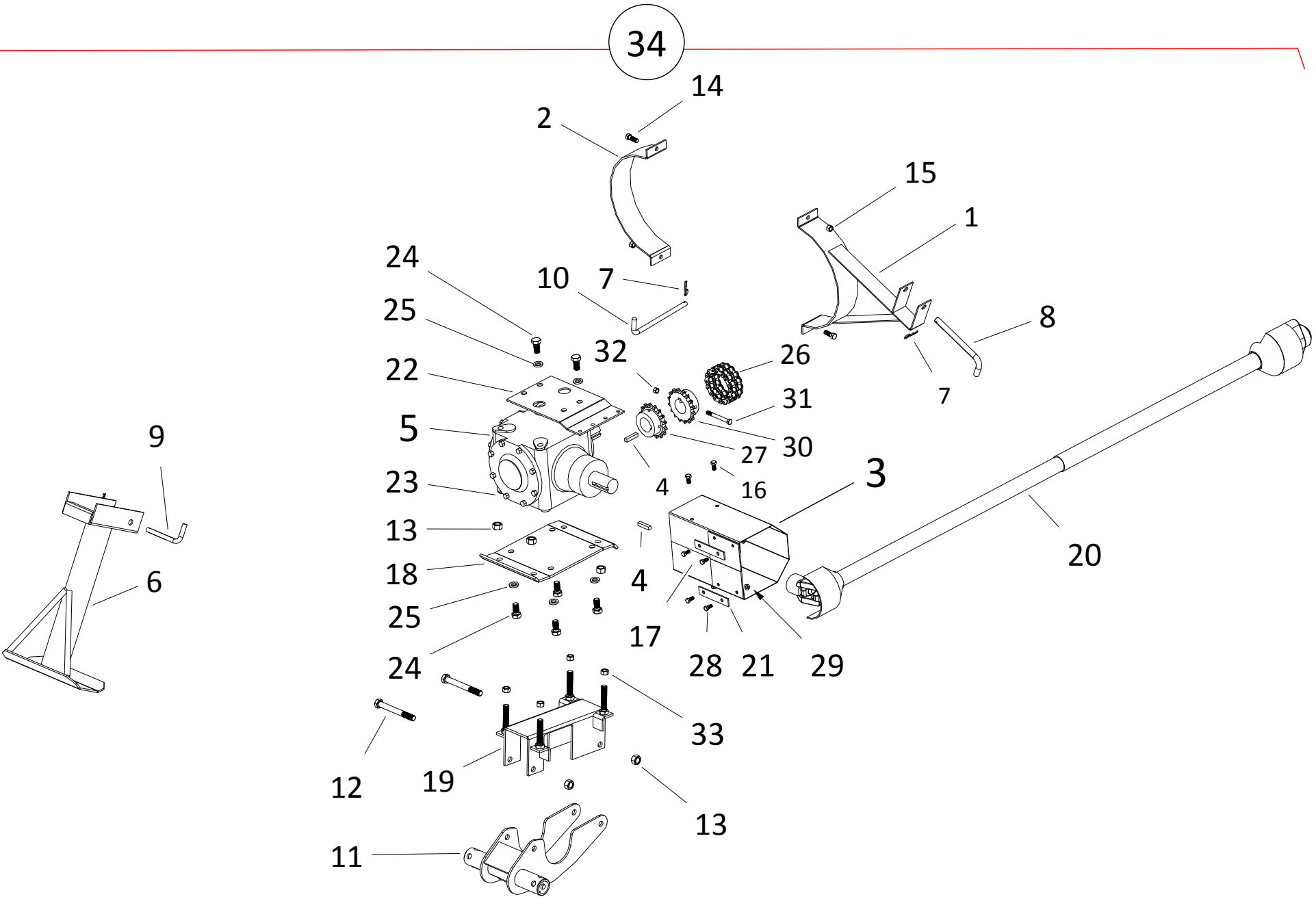


50

REVERSER (A263)

ITEM	PART NO.	DESCRIPTION
1	05-A263	REVERSER KIT
2	10-17023	REVERSER SPLINE SHAFT
3	10-17052	REVERSER LOWER COUPLER
4	10-20039	REVERSER PTO COVER
5	10-20043	PTO/VALVE BRACKET
6	10-20089	REVERSER BASE ASSEMBLY
7	200400RD	13" REVERSER BRACKET
8	10-17054	REVERSER COUPLER
9	10-17068	SPROCKET, 80B14 X 1-1/4"
10	10-19322	1-1/4 2 HOLE FLANGE BEARING
11	10-18695	1-1/4" FLANGE, 2-HOLE
12	10-18853	1-1/4 FLANGE BEARING ONLY
13	10-17400	#80HR OFFSET LINK(HEAVY)
14	10-19463	HITCH PIN
15	10-18546	COILED SPRING PIN 3/8 X 2-1/2 PLN.O
16	10-17066	3/8" X 1-3/4" SQUARE KEY
17	10-18955	3/8" X 1" NC BOLT GR 5 PLTD
18	10-19588	1/2" X 1-1/4" NC BOLT GR 5 PLTD
19	10-17401	1/2" FLAT WASHER PLTD
20	10-19596	3/8" NC SERRATED FLANGE NUT PLTD
21	10-19599	1/2" NC NYLON LOCKNUT GR 2 PLTD

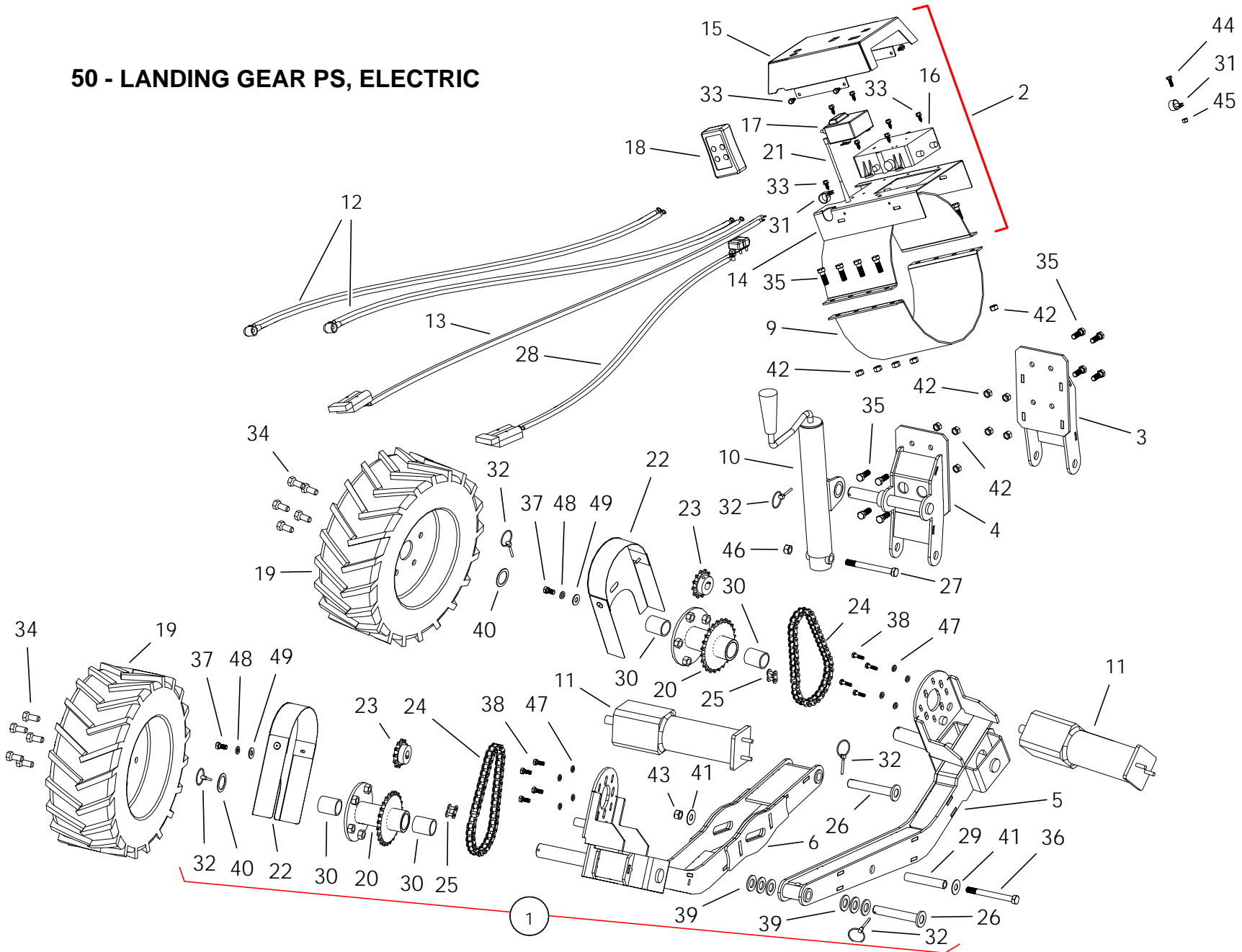
RIGHT ANGLE DRIVE KIT (A267)



RIGHT ANGLE DRIVE KIT (A267)

ITEM	PART NO.	DESCRIPTION
1	10-17259	W130 TRANSPORT SADDLE
2	10-18987	W130 HALF CLAMP
3	10-17258	W130-51/71 SHIELD ASSM
4	10-17066	SQUARE KEY, 3/8" X 1-3/4"
5	10-20110	GEARBOX ASSY, X13 RAD
6	10-20106	X13 RAD LEG
7	10-19463	210 HITCH PIN
8	10-19648	SADDLE PIN
9	10-17181	CLEVIS PIN
10	10-18074	MK/TR PIN
11	10-20107	X13 RAD JACK MOUNT
12	10-17632	BOLT, 5/8" x 5 1/2" GR8
13	10-19600	5/8" NYLON LOCKNUT
14	10-18698	7/16" X 1-1/4" BOLT GR8
15	10-19598	7/16" NYLON LOCKNUT GR2
16	10-19540	3/8" X 3/4" BOLT GR5
17	10-19596	3/8" SERRATED FLANGE NUT
18	10-20109	X13 RAD ADJUSTMENT PLATE
19	10-20108	X13 RAD GEARBOX MOUNT
20	10-17260	X13 RAD PTO SHAFT
21	10-18878	4-3/4" STRAP 11843
22	10-17605	MK 130 RAD ATTACH PLATE
23	10-17250	GEARBOX
24	10-17261	5/8" X 1-1/4" BOLT GR8
25	10-17262	5/8" LOCK WASHER
26	10-17254	ROLLER CHAIN W/ CONNECTOR LINK
27	10-17608	60B16 X 1-3/4" SPROCKET
28	10-19538	5/16" X 3/4" BOLT GR2
29	10-19595	5/16" FLANGENUT
30	10-22195	SPROCKET, 60B16 X 1-3/4
31	10-27982	3/8" X 3-1/2" NC BOLT GR 5 PLTD
32	10-17402	3/8" NC NYLON LOCKNUT PLTD
33	10-19864	5/8" NC HEX NUT PLTD
34	05-A267	RIGHT ANGLE DRIVE KIT

50 - LANDING GEAR PS, ELECTRIC



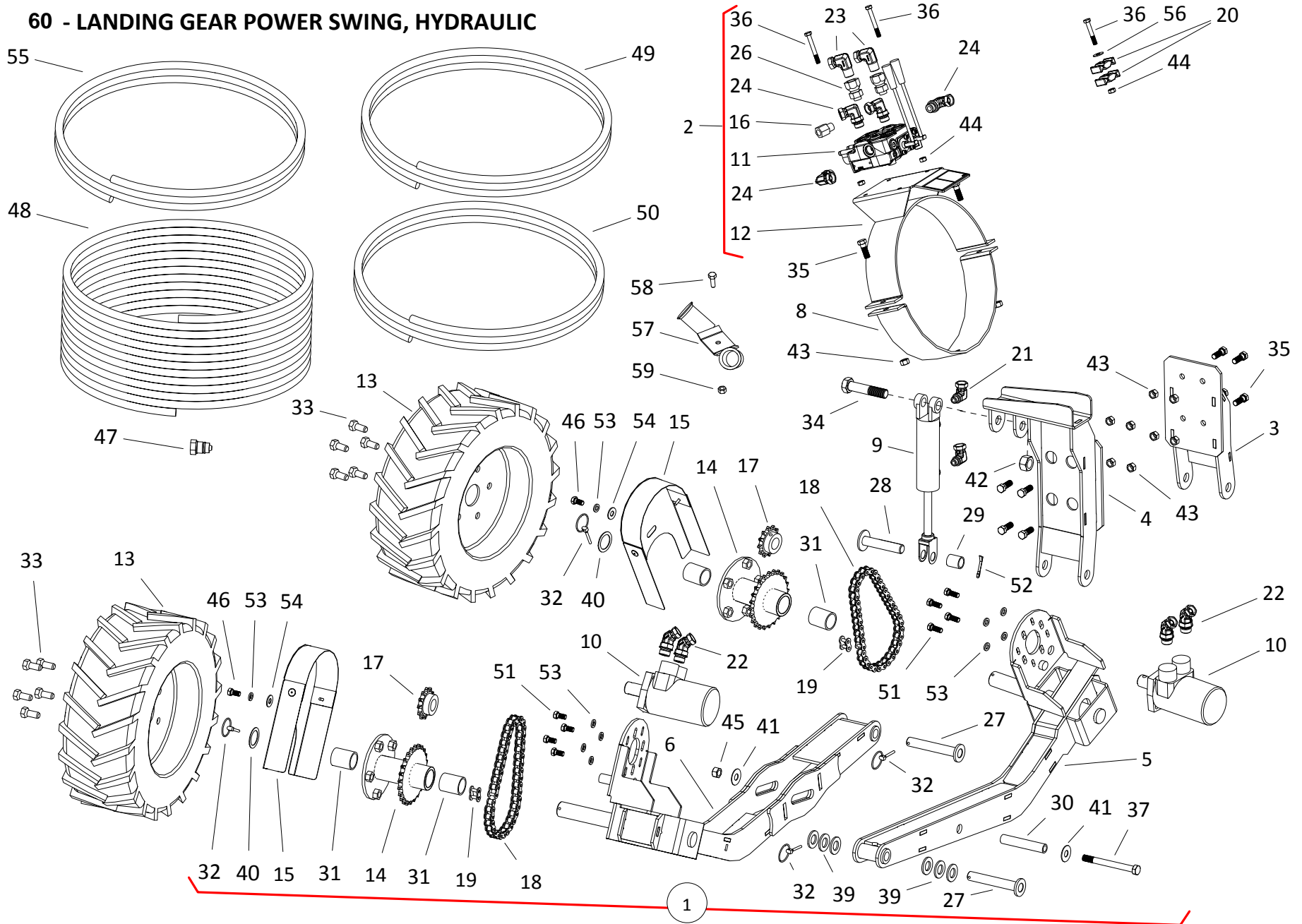
ELECTRIC LANDING GEAR POWER SWING - 13" (A334)

ELECTRIC LANDING GEAR POWER SWING - 13" (A334)

ITEM	PART NO.	DESCRIPTION
1	10-22563	LANDING GEAR PS ELEC ASSEMBLY
2	10-20158	ASSY, 13" P/S TOP CLAMP RECEIVER
3	10-22554	ATTACH, RH, MKX/X130 LGPS
4	10-22553	MANUAL JACK ATTACH, MKX/X130 LGPS
5	10-22562	SHORT X-ARM, RH, LGPS
6	10-22564	SHORT X-ARM, LH, LGPS
9	10-27455	13" HITCH RING
10	10-22555	JACK, MANUAL, LANDING GEAR PS
11	10-20138	MOTOR, 12V DC
12	10-20168	WIRE HARNESS - CONTACTOR TO MOTOR
13	10-22582	WIRE ASSY CONTACTOR/QUICK CONNECT
14	10-20177	13" TOP CLAMP W.A. RC - POWERSWING
15	10-20178	COVER, PS RECEIVER ARMOR - POWERSWING
16	10-20135	RECEIVER
17	10-20136	CONTACTOR
18	10-20134	TRANSMITTER
19	10-20137	POWERSWING 5 BOLT WHEEL ASSEMBLY
20	10-20166	ASSY HUB, W/ BUSHING
21	10-20524	ANTENNA
22	10-22164	CHAIN GUARD, LANDING GEAR
23	10-20210	50B12 X 3/4 SPROCKET
24	10-19133	#50-1R X 37P ROLLER CHAIN
25	10-19134	#50 CONNECTOR LINK
26	10-22168	PIN, LANDING GEAR
27	10-27815	BOLT, 5/8" X 4" NC PLTD
28	10-20169	WIRE ASSY BATTERY TO QUICK CONNECT
29	10-22187	SLIDER BUSHING, LANDING GEAR
30	10-19776	BUSHING, 1-1/4"
31	10-20268	5/8 X 1/2 INSULATED CLAMP
32	10-29998	LYNCH PIN 3/16 X 1-1/4 Y.ZINC PLTD
33	10-19274	#14 X 5/8" SMS AB GR 5 PLTD
34	10-20565	1/2" X 1" WHEEL BOLT (BLACK)
35	10-18698	7/16" X 1-1/4" NC BOLT GR 8 PLTD
36	9900564	1/2" X 5" UNC BOLT GR5 PLTD
37	10-19540	3/8" X 3/4" NC BOLT GR5 PLTD
38	10-19988	1/4" X 1" NC BOLT GR2 PLTD
39	10-19979	3/4" FLAT WASHER PLTD
40	10-17651	1-1/4" RIM WASHER
41	10-17401	1/2" FLAT WASHER PLTD
42	10-17593	7/16" NC NYLON LOCKNUT GR5 YLW PLTD
43	10-19599	1/2" NC NYLON LOCKNUT GR 2 PLTD
44	9900800	1/4" X 3/4" NC BOLT GR5 PLTD
45	10-28449	1/4" NC NYLON LOCKNUT PLTD
46	10-19600	LOCKNUT, 5/8"
47	9900783	1/4" LOCK WASHER
48	10-19604	3/8" LOCK WASHER
49	10-17392	3/8" FLAT WASHER
50	05-A334	LANDING GEAR PS, ELECTRIC

HYDRAULIC LANDING GEAR POWER SWING - 13" (A333)

60 - LANDING GEAR POWER SWING, HYDRAULIC

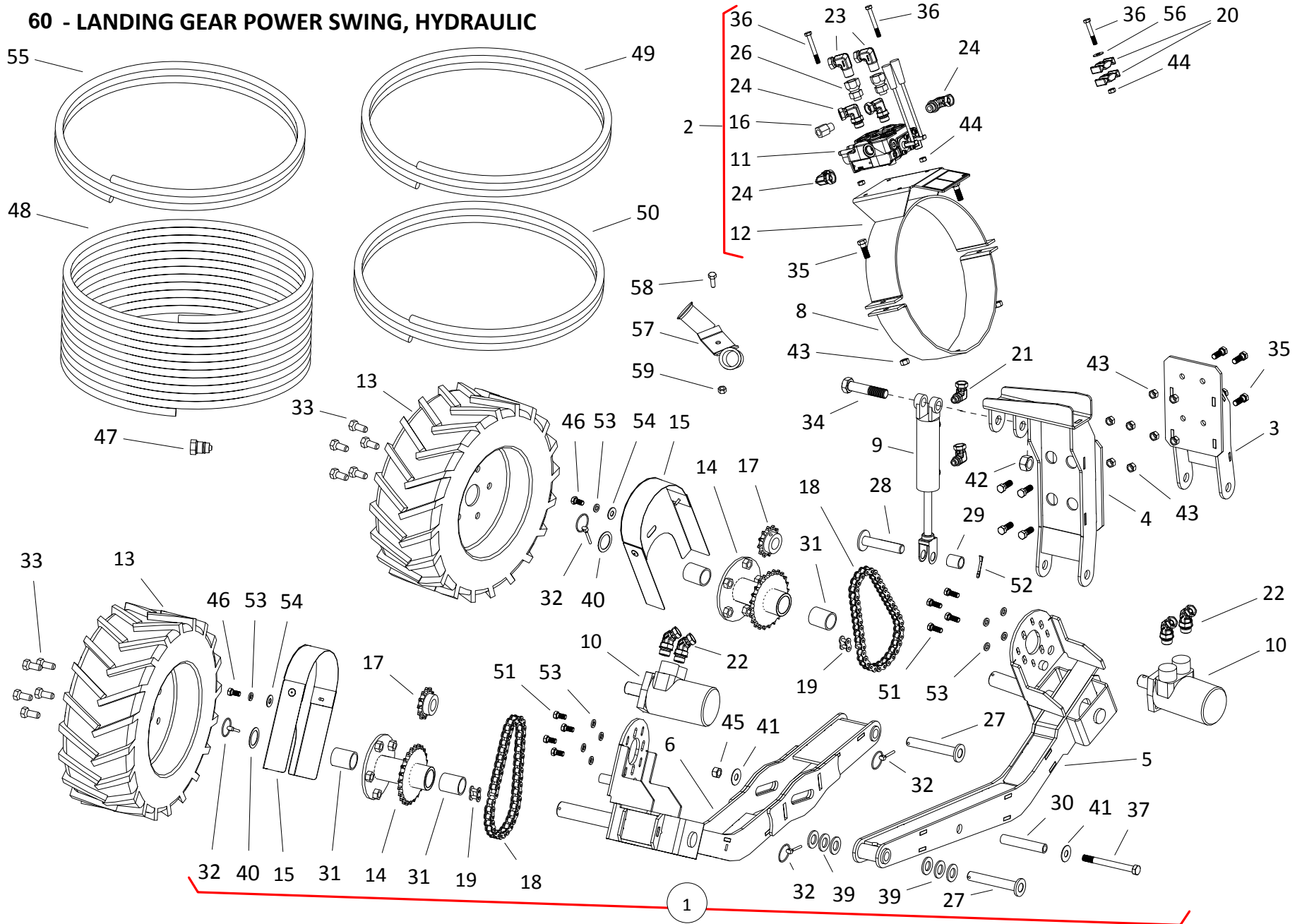


56

HYDRAULIC LANDING GEAR POWER SWING - 13" (A333)

ITEM	PART NO.	DESCRIPTION
1	10-22560	LANDING GEAR PS HYD ASSEMBLY
2	10-22547	2-SPOOL VALVE ASSY, LANDING GEAR PS, 13"
3	10-22554	ATTACH, RH, MKX/X130 LGPS
4	10-22559	HYD CYLINDER ATTACH, MKX/X130 LGPS
5	10-22562	SHORT X-ARM, RH, LGPS
6	10-22564	SHORT X-ARM, LH, LGPS
8	10-18987	13" HALF CLAMP
9	10-22161	1-1/2 X 8 HYDRAULIC CYLINDER
10	10-20246	PS HYD MOTOR, 17.9 CU IN
11	10-22548	2 SPOOL VALVE, 8 GPM
12	10-22549	2-SPOOL VALVE MOUNT, LGPS
13	10-20137	POWERSWING 5 BOLT WHEEL ASSEMBLY
14	10-20166	ASSY HUB, W/ BUSHING
15	10-22164	CHAIN GUARD, LANDING GEAR
16	10-22746	ORIFICE, 3/8" MALE X 3/8" FEMALE
17	10-20211	50B12 X 1 SPROCKET
18	10-19133	#50-1R X 37P ROLLER CHAIN
19	10-19134	#50 CONNECTOR LINK
20	10-28732	LINE BLOCK
21	10-22191	STEEL ELBOW 6MORB X 3/8 NSPM
22	10-22556	ADAPTER, 45 DEG, #10MORB X #6FNPSM
23	10-22557	STEEL ELBOW, 8MNPT X 6FNPSM
24	10-22558	STEEL ELBOW, 8MORB X 6FNPSM
25	10-28654	STEEL ELBOW 90DEG, 8MORB X 8FNPSM
26	10-28477	STEEL FITTING, 8MORB X 1/2FNPSM
27	10-22168	PIN, LANDING GEAR
28	10-22577	PIN, LGPS CYLINDER ATTACH
29	10-22578	SPACER SLEEVE, LGPS CYL ATTACH
30	10-22187	SLIDER BUSHING, LANDING GEAR
31	10-19776	BUSHING, 1-1/4"
32	10-29998	LYNCH PIN 3/16 X 1-1/4 Y.ZINC PLTD
33	10-20565	1/2" X 1" WHEEL BOLT (BLACK)
34	10-20398	3/4" X 3-1/2" NC BOLT GR 5 PLTD
35	10-18698	7/16" X 1-1/4" NC BOLT GR 8 PLTD
36	10-17631	5/16" X 2-1/2" NC BOLT GR 2 PLTD
37	9900564	1/2" X 5" UNC BOLT GR5 PLTD
39	10-19979	3/4" FLAT WASHER PLTD
40	10-17651	1-1/4" RIM WASHER
41	10-17401	1/2" FLAT WASHER PLTD
42	10-19601	3/4" NC NYLON LOCKNUT PLTD
43	10-17593	7/16" NC NYLON LOCKNUT GR5 YLW PLTD
44	10-19980	5/16" NC NYLON LOCKNUT PLTD
45	10-19599	1/2" NC NYLON LOCKNUT GR 2 PLTD
46	10-19540	3/8" X 3/4" NC BOLT GR 5 PLTD
47	9900047	PIONEER COUPLER
48	10-29368	1/2" X 247" HYDRAULIC HOSE
49	10-29414	3/8" X 46" HYDRAULIC HOSE
50	10-28229	3/8" X 50" HYDRAULIC HOSE
51	10-18955	3/8" X 1" NC BOLT GR 5 PLTD
52	10-18155	COTTER PIN, 3/16" x 1-1/4"

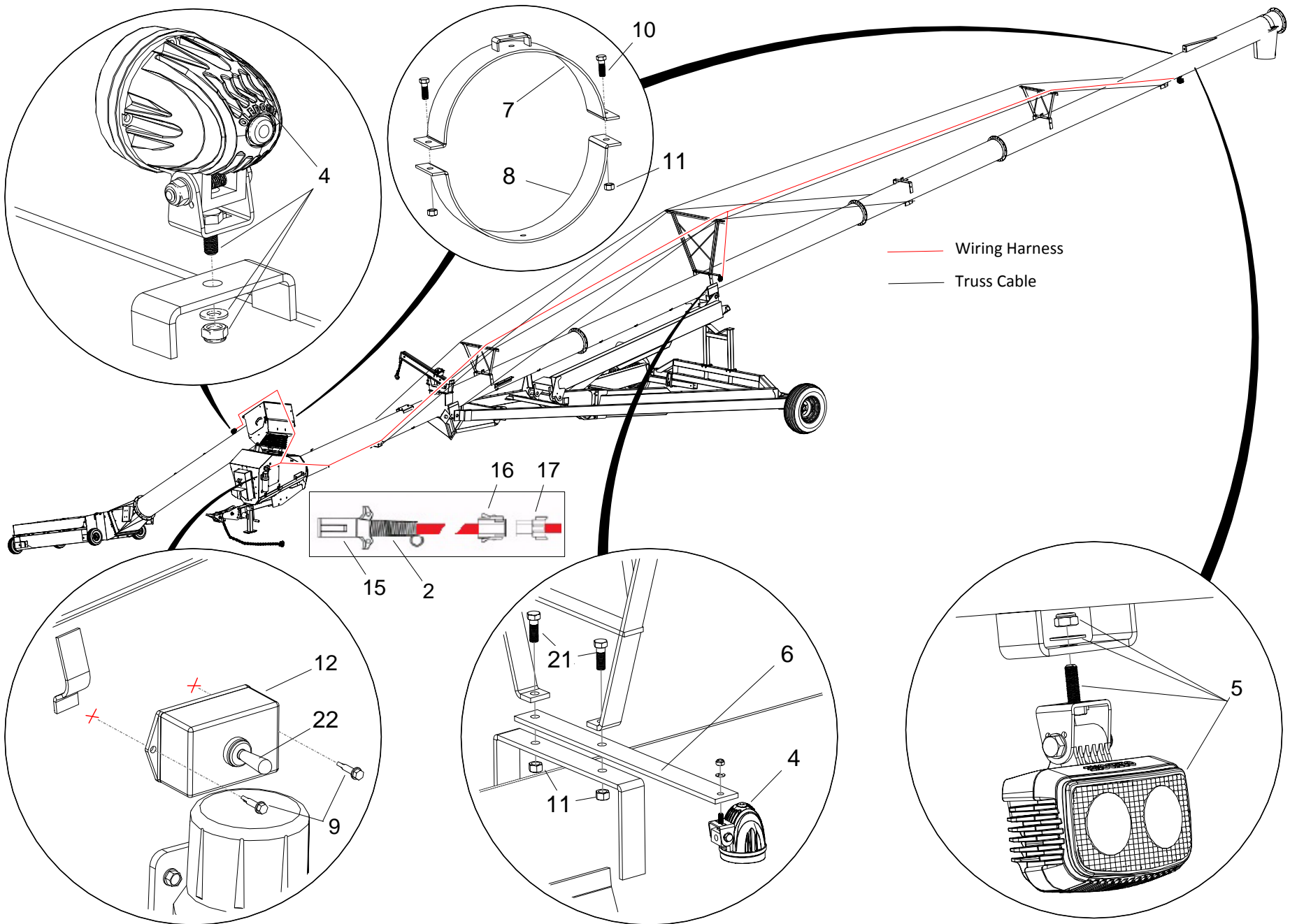
60 - LANDING GEAR POWER SWING, HYDRAULIC



HYDRAULIC LANDING GEAR POWER SWING - 13" (A333)

ITEM	PART NO.	DESCRIPTION
53	10-19604	3/8" LOCK WASHER
54	10-17392	3/8" FLAT WASHER
55	10-22744	3/8" X 80" HYDRAULIC HOSE
56	10-27336	5/16" FLAT WASHER
57	10-17467	MK91 DOUBLE HOSE HOLDER
58	10-29246	3/8" X 1" GR8 SHEAR BOLT
59	10-17402	3/8" NC NYLON LOCKNUT PLTD
60	05-A333	LANDING GEAR PS, HYD

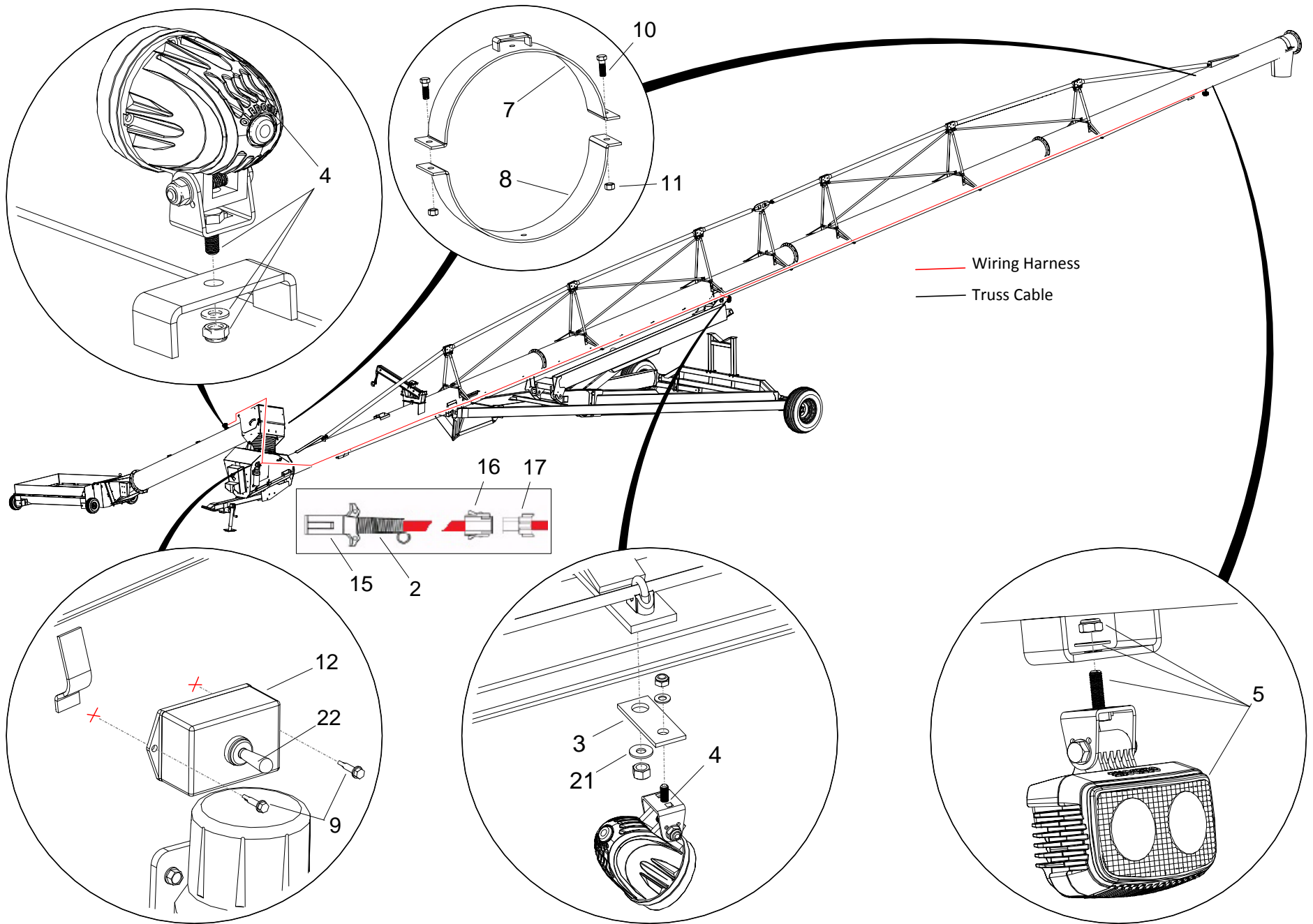
WORK LIGHT KIT, 74 (A351)



WORK LIGHT KIT, 74 (A351)

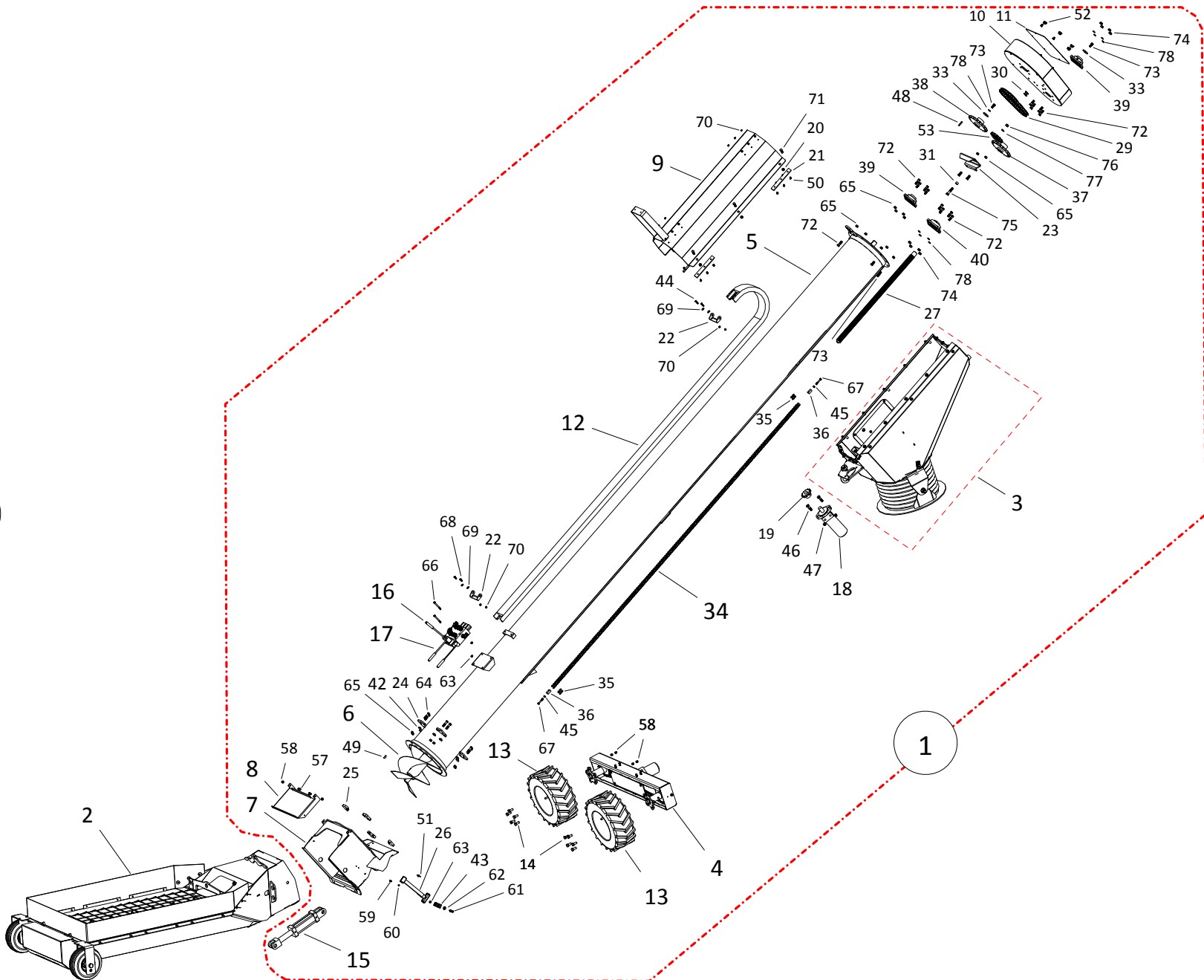
ITEM	PART NO.	DESCRIPTION
1	10-22696	WORK LIGHT HARNESS, 74
2	10-22687	TRACTOR PLUG EXTENSION HARNESS
4	10-22394	MINI FLOOD LAMP, LEDWD-1L10 (INCLUDES HARDWARE)
5	10-22395	FLOOD LAMP, LEDWD-2L20 (INCLUDES HARDWARE)
6	10-22969	LIGHT BRACKET, 1374
7	10-21537	GULP, HOSE CLAMP
8	10-18987	HALF CLAMP, 13"
9	10-22396	8-18 X 3/4" TEK SCREW
10	10-18698	BOLT, 7/16" X 1-1/4"
11	10-19598	LOCKNUT, 7/16"
12	10-22399	SWITCH BOX ONLY
13	10-22427	LEAD CONNECTOR, DEUTSCH DT06-2S (NOT SHOWN)
14	10-22446	BUSS AGC 20A FUSE (NOT SHOWN)
15	10-28665	7 PIN HIGHWAY TRACTOR CONNECTOR
16	10-23124	8 WAY PLUG, AT06-08SA
17	10-23125	8 WAY RECEPTACLE, AT04-08PA
18	10-23126	WEATHER PACK TOWER, 6 POS (NOT SHOWN)
19	10-23127	WEATHER PACK SHROUD, 6 POS (NOT SHOWN)
20	10-23128	DEUTSCH 2 WAY CAP, 1011-344-0205 (NOT SHOWN)
21	10-28744	BOLT, 7/16" X 1-1/2"
22	10-24355	WEATHERPROOF TOGGLE SWITCH
23	05-A351	X1374 WORK LIGHT KIT

WORK LIGHT KIT, 84 (A353) | 94 (A355)



WORK LIGHT KIT, 84 (A353) | 94 (A355)

ITEM	PART NO.	DESCRIPTION
1	10-22697	WORK LIGHT HARNESS, 84
1	10-22698	WORK LIGHT HARNESS, 94
2	10-22687	TRACTOR PLUG EXTENSION HARNESS
3	10-22286	TRANSPORT CHAIN LUG
4	10-22394	MINI FLOOD LAMP, LEDWD-1L10 (INCLUDES HARDWARE)
5	10-22395	FLOOD LAMP, LEDWD-2L20 (INCLUDES HARDWARE)
7	10-21537	GULP, HOSE CLAMP
8	10-18987	HALF CLAMP, 13"
9	10-22396	8-18 X 3/4" TEK SCREW
10	10-18698	BOLT, 7/16" X 1-1/4"
11	10-19598	LOCKNUT, 7/16"
12	10-22399	SWITCH BOX ONLY
13	10-22427	LEAD CONNECTOR, DEUTSCH DT06-2S (NOT SHOWN)
14	10-22446	BUSS AGC 20A FUSE (NOT SHOWN)
15	10-28665	7 PIN HIGHWAY TRACTOR CONNECTOR
16	10-23124	8 WAY PLUG, AT06-08SA
17	10-23125	8 WAY RECEPTACLE, AT04-08PA
18	10-23126	WEATHER PACK TOWER, 6 POS (NOT SHOWN)
19	10-23127	WEATHER PACK SHROUD, 6 POS (NOT SHOWN)
20	10-23128	DEUTSCH 2 WAY CAP, 1011-344-0205 (NOT SHOWN)
21	10-27336	FLAT WASHER, 5/16"
22	10-24355	WEATHERPROOF TOGGLE SWITCH
23	05-A353	X1384 WORK LIGHT KIT
23	05-A355	X1394 WORK LIGHT KIT

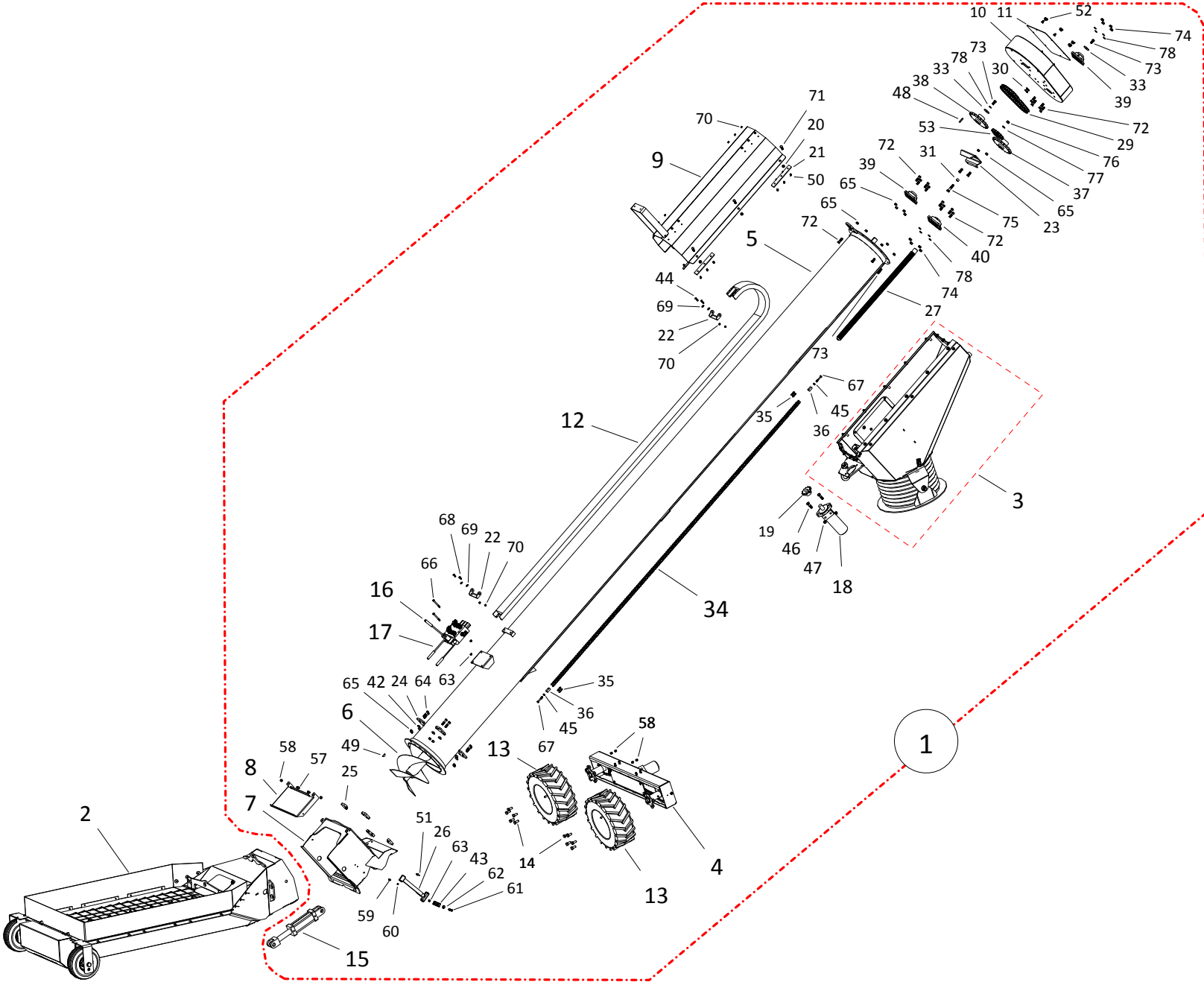


79

1

X-TEND ASSEMBLY (A477)

ITEM	PART NO.	DESCRIPTION
1	10-22832	13" XTEND TUBE ASSY
2	10-22748	X-TEND HOPPER ASSY, 13"
3	10-22799	13" COLLECTOR ASSEMBLY, RODONO
4	10-22905	POWERSWING ASSY, 13" RODONO
5	10-22834	13" RETRACTOR TUBE ONLY, RODONO
6	10-22835	RETRACTOR FLIGHT, RODONO
7	10-22774	RECTRACTOR, RODONO
8	10-22778	RETRACTOR LID, RODONO
9	10-22811	COLLECTOR COVER, RODONO
10	10-22860	CHAINBOX, RODONO
11	10-22866	CHAINBOX ACCESS DOOR, RODONO
12	10-22838	CABLE TRAY CARRIER X 3', 240-10-125
13	10-20137	POWERSWING 5 BOLT WHEEL ASSM
14	10-20565	WHEEL BOLT, 1/2" X 1-1/8" NF #5
15	10-22789	HYDRAULIC CYLINDER
16	10-22979	HYD VALVE ASSY, 13" RODONO
17	10-22839	3 SPOOL VALVE
18	10-22869	HYDRAULIC MOTOR
19	9900180	SPROCKET, 60B12 X 1
20	10-19596	WHIZNUT, 3/8" PLTD
21	10-22809	SMALL COLLECTOR WEAR STRIP
22	10-22958	LOCKING BRACKET, 2100-12PZ
23	10-22953	CHAINBOX TIGHTENER Z BRKT, RODONO
24	10-22805	FLANGE HOLDER PLATE, RODONO
25	10-22960	RETRACTOR SWVL SPACER BLOCK, RODONO
26	10-22870	HOOD LATCH, 7-7/8"
27	10-22867	SPLINE SHAFT, 1-3/8" DIA
29	10-23040	CHAIN, #80-43P W/ CONNECTOR LINK
30	10-19323	CONNECTOR LINK, #80
31	10-22946	TIGHTENER SPACER, RODONO
33	10-22865	TIGHTENING WASHER, RODONO
34	10-23041	CHAIN, #60-161P W/ CONNECTOR LINKS
35	10-19433	CONNECTOR LINK, #60
36	10-22836	SLIDING CHAIN TIGHTNER
37	10-22863	SPROCKET, UPPER CHAINBOX, RODONO
38	10-22935	SPROCKET, UPPER CHAINBOX, RODONO
39	10-22788	BEARING, FHF206-20G
40	10-22930	BEARING, FHF207-22G
42	10-22806	WEAR BUTTON
43	10-28732	LINE BLOCK, EMP-LB-002
44	10-20445	BOLT, 1/4" X 1" GR8 PLTD
45	10-17871	HEX NUT, 5/16" PLAIN GR2
46	10-19974	BOLT, 1/2" X 1-3/4" GR8 PLTD
47	10-19599	LOCKNUT, 1/2"
48	10-19606	KEY, 1/4" X 1-1/2" SQ
49	10-19224	WOODRUFF KEY, 1/4" X 1"
50	10-22954	BUTTON HEAD CAP SCREW, 1/4" X 3/4" GR5
51	10-20399	GRIP ALUM RIVET, 3/16" X 5/8"
52	10-22938	WING NUT, 5/16" PLTD
53	10-28639	SPROCKET, IDLER, 80B12 X 0.5"ID

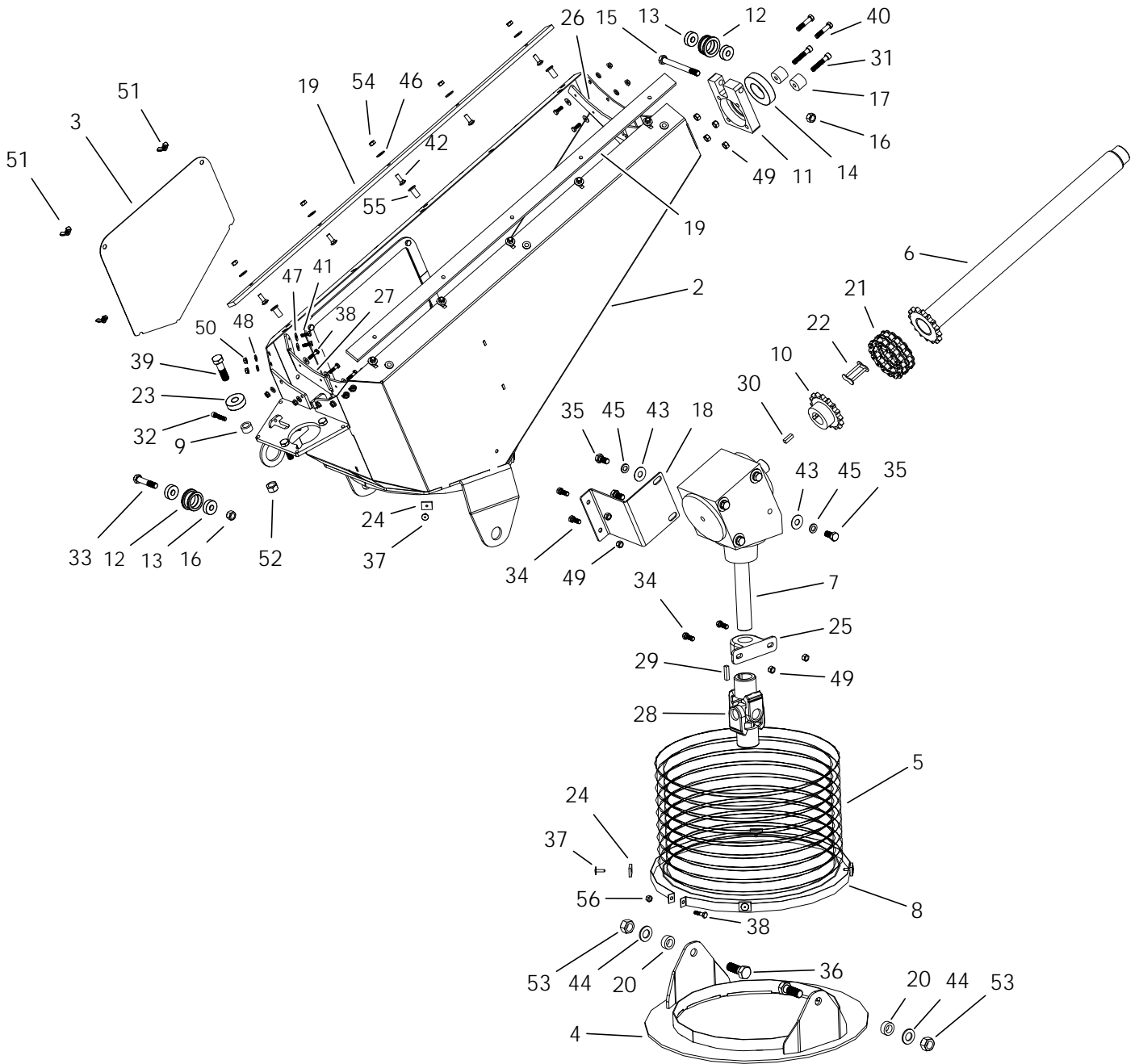


79

X-TEND ASSEMBLY (A477)

ITEM	PART NO.	DESCRIPTION
57	10-19540	BOLT, 3/8" X 3/4" GR5 PLTD
58	10-17402	LOCKNUT, 3/8" PLTD
59	10-28656	BOLT, #10 X 3/4 PLTD
60	10-28657	LOCKNUT, #10 PLTD
61	10-27788	BOLT, 5/16" X 1-1/2" GR5 PLTD
62	10-27336	FLAT WASHER, 5/16" PLTD
63	10-19980	LOCKNUT, 5/16" PLTD
64	10-19981	BOLT, 7/16" X 1-3/4" GR8 PLTD
65	10-19598	7/16" NC NYLON LOCKNUT GR 2 PLTD
66	2300022	BOLT, 5/16" X 3" GR5 PLTD
67	10-19539	BOLT, 5/16" X 2" GR2 PLTD
68	9900800	BOLT, 1/4" X 3/4" GR5 PLTD
69	9900683	FLAT WASHER, 1/4" PLTD
70	10-28449	LOCKNUT, 1/4" PLTD
71	9900637	TAP BOLT, 3/8" X 1-1/2" GR5 PLTD
72	10-28744	BOLT, 7/16" X 1-1/2" GR5 PLTD
73	10-19542	BOLT, 7/16" X 1" GR5 PLTD
74	10-19597	WHIZNUT, 7/16" GR2 PLTD
75	10-20772	BOLT, 1/2" X 2-1/2" GR8 PLTD
76	10-19602	HEX NUT, 1/2" PLTD
77	10-19605	LOCK WASHER, 1/2" PLTD
78	9900508	LOCK WASHER, 7/16" PLTD
79	05-A477	XTEND OPTION KIT

X-TEND COLLECTOR

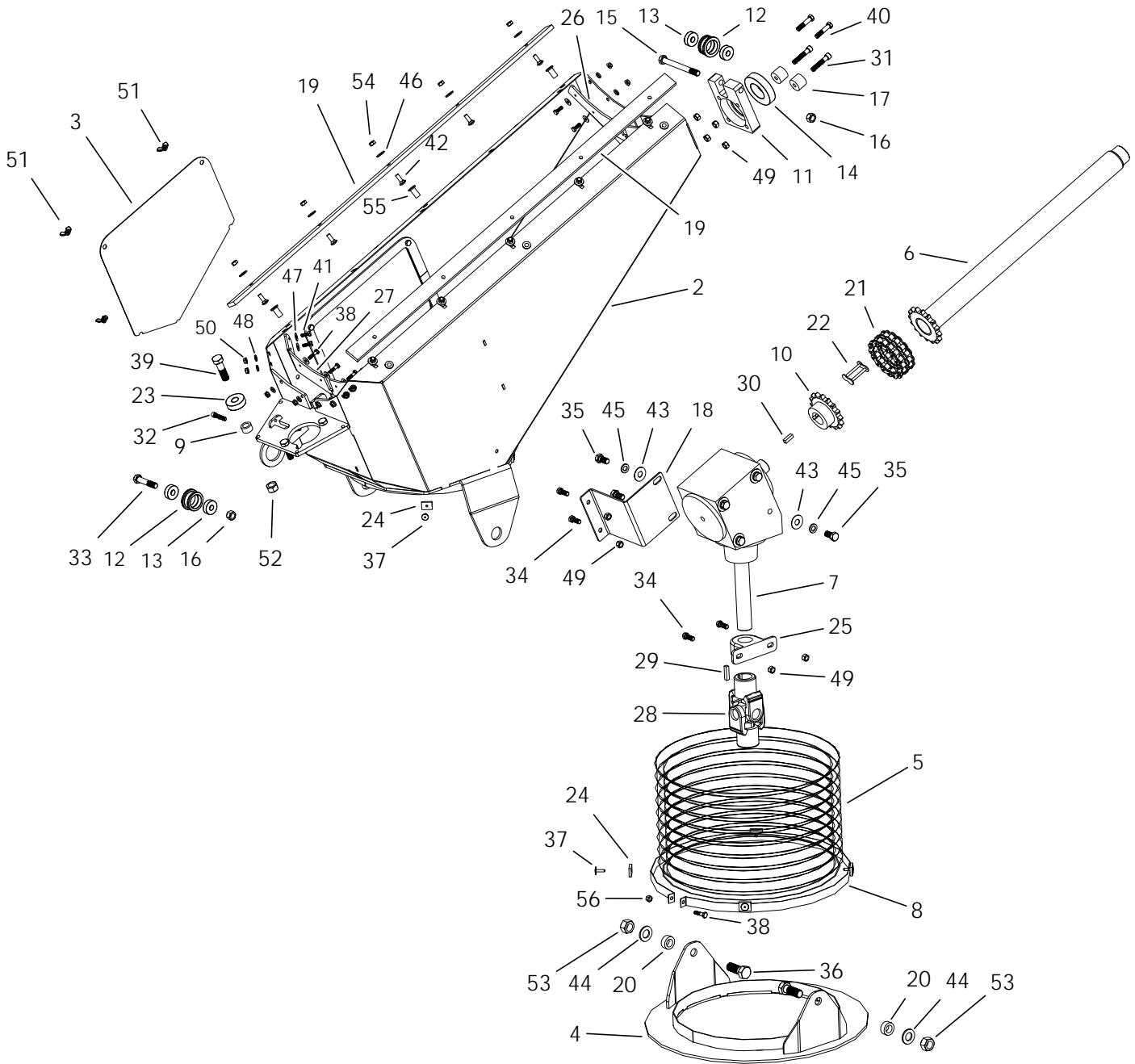


1

X-TEND COLLECTOR

ITEM	PART NO.	DESCRIPTION
1	10-22799	13" COLLECTOR ASSEMBLY, RODONO
2	10-22800	COLLECTOR BODY ONLY, RODONO
3	10-22831	COLLECTOR INSPECTION DOOR, RODONO
4	10-22827	SWING RING, RODONO
5	10-22934	CLEAR FLEX HOSE, 13" RODONO
6	10-22817	SPLINED TUBE, RODONO
7	10-22810	GEARBOX, 68DEG BEVEL RODONO
8	10-23098	COLLECTOR RING HOSE STRAP, RODONO
9	10-22807	SPACER, PINION ROLLER, RODONO
10	10-22813	SPROCKET W/STOP, 13" RODONO
11	10-22819	TRACK ROLLER ASSY, RODONO
12	10-22820	TRACK ROLLER W/BEARING, RODONO
13	10-22821	BEARING, 1621-2RS
14	10-22818	BEARING, 6209-2RS
15	9900564	BOLT, 1/2" X 5" GR5 PLTD
16	10-19599	LOCKNUT, 1/2" PLTD
17	10-22828	COLLECTOR STOP, RODONO
18	10-22858	GEARBOX Z BRACKET, RODONO
19	10-22928	COLLECTOR WEAR STRIP, RODONO
20	10-22932	BUSHING, 1-1/4" X 3/8", RODONO
21	10-17254	CHAIN, W130-51/71
22	10-17677	DOUBLE CHAIN CONNECTOR, #60
23	10-22804	BEARING, 6303-2RS
24	10-29252	DUCTING SECURE TAB
25	10-22825	RODONO WOOD BEARING ASSEMBLY
26	10-22829	CHAIN BOX SIDE SHIELD
27	10-22830	PINION SIDE SHIELD
28	10-22868	SPLINED U-JOINT (BLACK), 222-27502
29	10-22984	SQUARE KEY, 5/16 X 1-3/8
30	10-22985	SQUARE KEY, 5/16 X 1
31	10-22956	SOCKET HEAD CAP SCREW, 3/8" X 2 GR5
32	10-22980	SOCKET HEAD CAP SCREW, 5/16 X 1-1/2 GR5
33	10-17403	BOLT, 1/2" X 2-1/2" GR5 PLTD
34	10-18955	BOLT, 3/8" X 1" GR5 PLTD
35	10-19231	BOLT, 1/2" X 1" GR5 PLTD
36	10-19592	BOLT, 3/4" X 2" GR8 PLTD
37	10-18185	LARGE FLANGE RIVET
38	10-19988	BOLT, 1/4" X 1" GR2 PLTD
39	10-27589	BOLT, 5/8" X 2-1/2" GR8 PLTD
40	10-28450	BOLT, 3/8" X 1-3/4" GR5 PLTD
41	9900800	BOLT, 1/4" X 3/4" GR5 PLTD
42	10-23097	CARRIAGE BOLT, 5/16" X 1" GR5 PLTD
43	10-17401	FLAT WASHER, 1/2" PLTD
44	10-18948	RIM WASHER, 3/4" PLTD
45	10-19605	LOCK WASHER, 1/2" PLTD
46	10-27336	FLAT WASHER, 5/16" PLTD
47	9900683	FLAT WASHER, 1/4" PLTD
48	9900783	LOCKWASHER, 1/4" PLTD
49	10-17402	3/8" NC NYLON LOCKNUT PLTD
50	10-19594	WHIZNUT, 1/4" PLTD

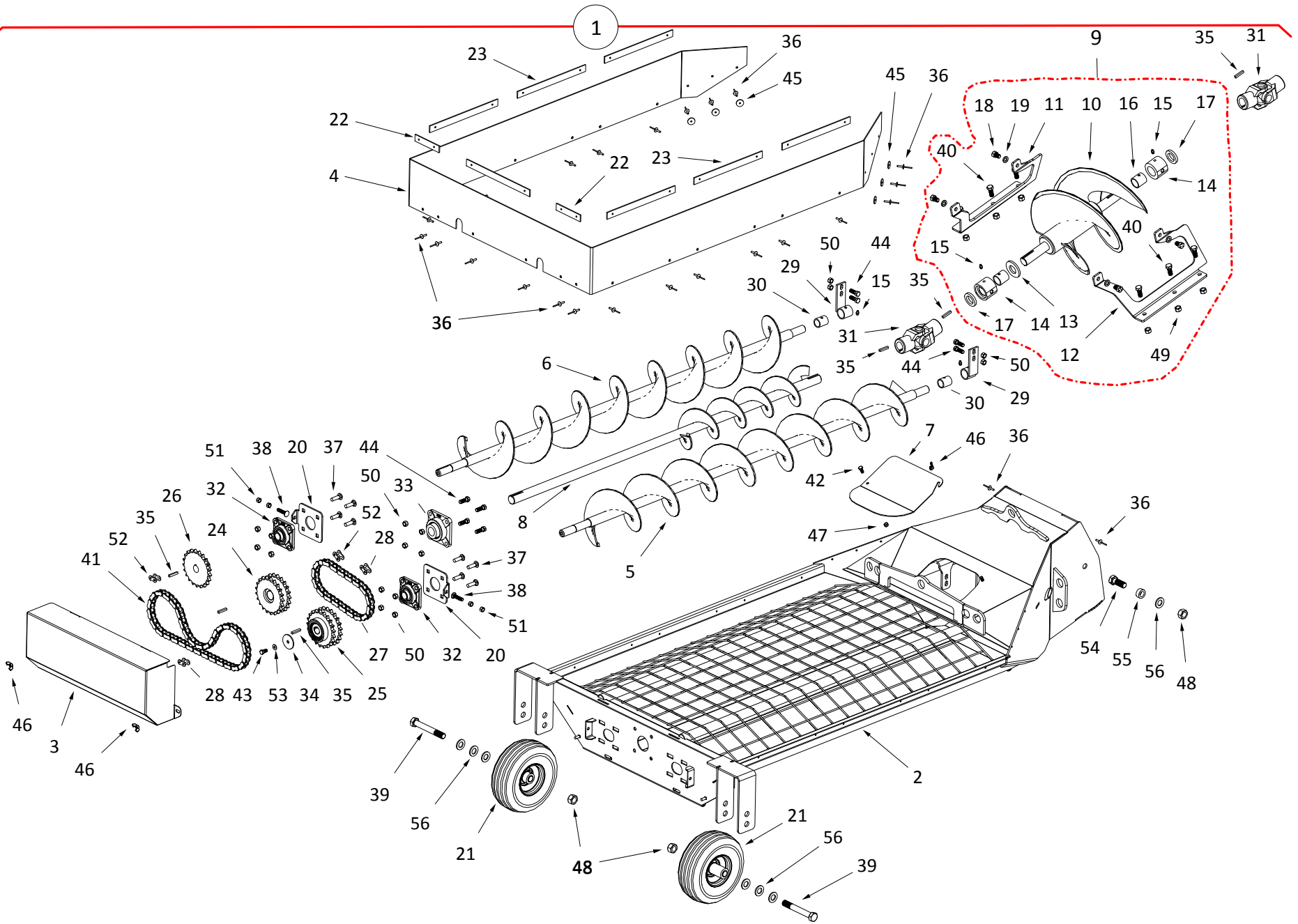
X-TEND COLLECTOR



1

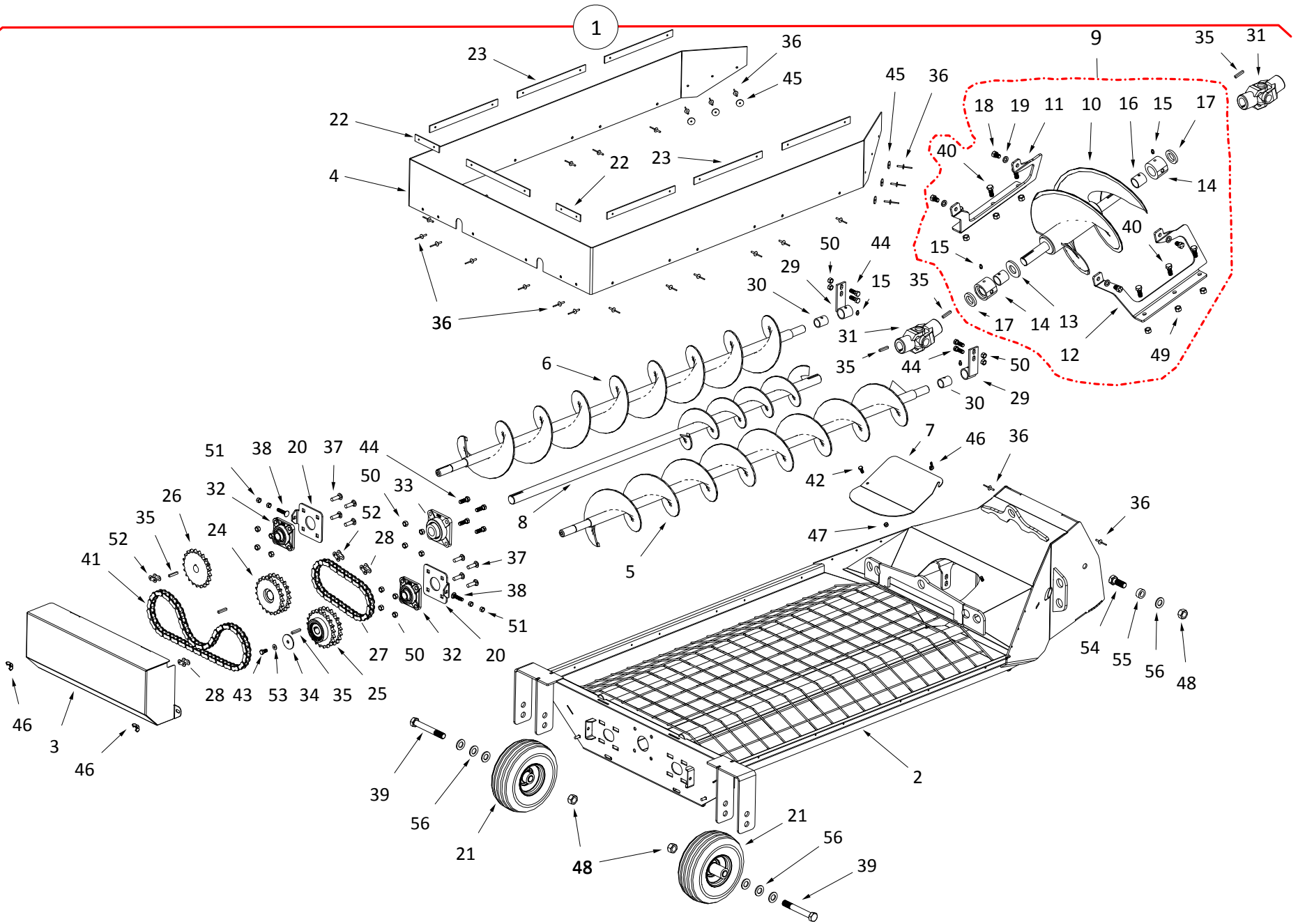
X-TEND COLLECTOR

ITEM	PART NO.	DESCRIPTION
51	10-22938	WING NUT, 5/16" PLTD
52	10-19600	LOCKNUT, 5/8" PLTD
53	10-19601	LOCKNUT, 3/4" PLTD
54	10-19980	LOCKNUT, 5/16" PLTD
55	10-22550	RIVNUT, 3/8"
56	10-28449	LOCKNUT, 1/4"



X-TEND HOPPER

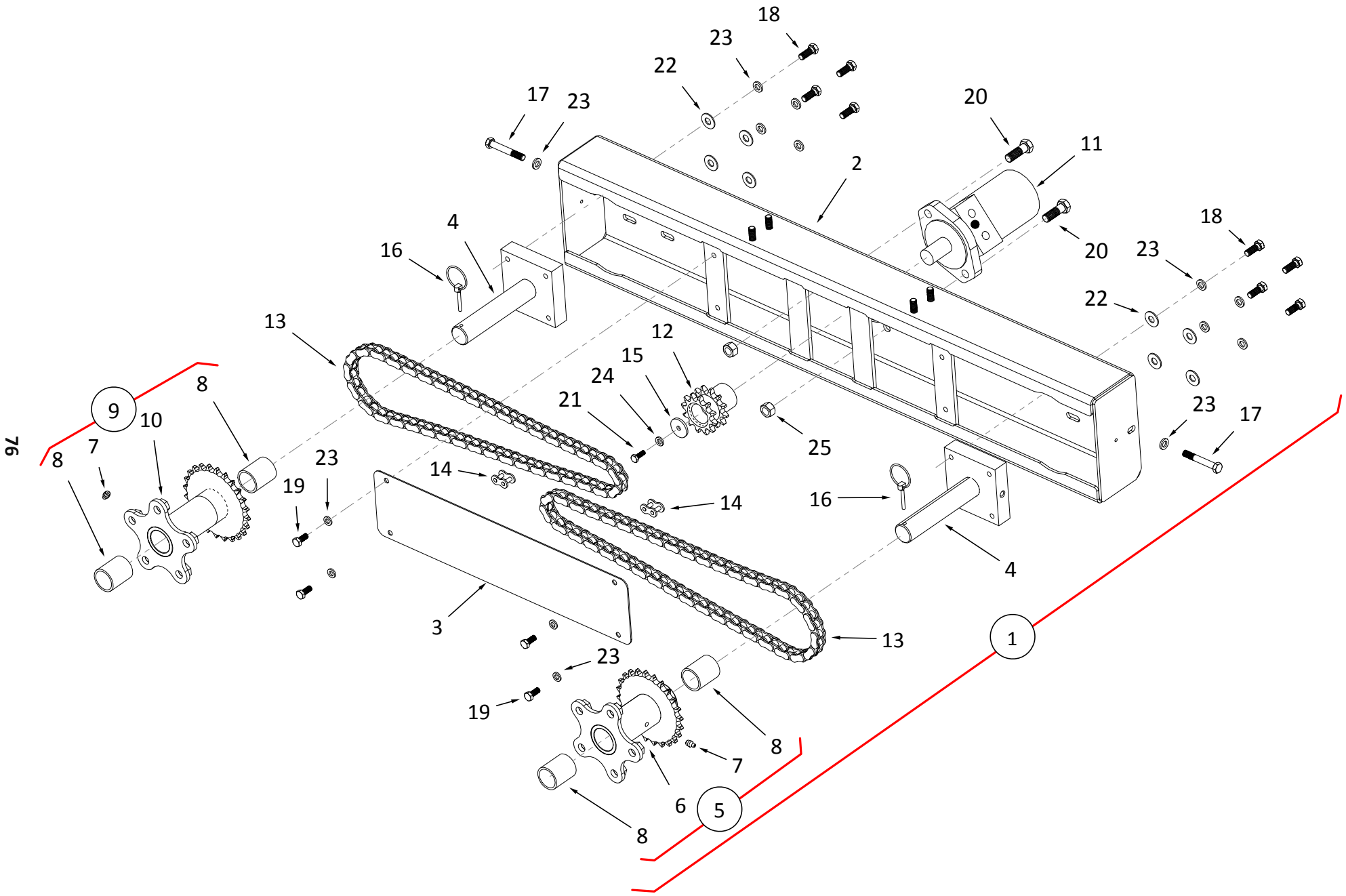
ITEM	PART NO.	DESCRIPTION
1	10-22748	X-TEND HOPPER ASSY, 13"
2	10-22749	HOPPER ONLY, 13" RODONO
3	10-22751	CHAIN GUARD, HOPPER, 13" RODONO
4	10-22752	RUBBER BELTING, HOPPER, 13" RODONO
5	10-22754	13" HOPPER FLIGHT, RH, RODONO
6	10-22755	13" HOPPER FLIGHT, LH, RODONO
7	10-22756	TRANS INSPECTION COVER, 13" RODONO
8	10-22757	JACKSHAFT FLIGHT, HOPPER, RODONO
9	10-22765	TRANS FLIGHT ASSEMBLY, 13" RODONO
10	10-22772	TRANSITION FLIGHT, RODONO
11	10-22769	TRANS BUSHING MOUNT, LH, 13" RODONO
12	10-22770	TRANS BUSHING MOUNT, RH, 13" RODONO
13	10-22771	TRANS THRUST WASHER, RODONO
14	10-22766	TRANS BUSHING ASSEMBLY, 13" RODONO
15	10-19222	GREASE ZERK, 1/4" #28
16	10-22768	P285 - 12 POROUS BRONZE BUSHING
17	10-18403	GEARBOX SEAL
18	10-22936	BOLT, 1/2" X 3/4" GR5 PLTD
19	10-19605	LOCK WASHER, 1/2" PLTD
20	10-22782	BEARING TENSIONER PLATE, RODONO
21	10-17522	LOW PRO HOPPER WHEEL
22	10-22049	4-3/4 BELTING ATTACH STRAP
23	10-22051	12-1/2 BELTING ATTACH STRAP
24	10-22785	DOUBLE DRIVE SPROCKET, 13" RODONO
25	10-22780	RODONO IDLER SPROCKET
26	10-22786	SPROCKET, 60B21 X 1
27	10-23044	CHAIN, #60-37P W/ CONN & HALF LINK
28	10-19433	#60 CONNECTOR LINK
29	10-22753	BUSHING, HOPPER, 13" RODONO
30	10-19149	1" BUSHING
31	10-22790	U-JOINT (BLACK)
32	10-22787	BEARING, FHF205-16G
33	10-22788	BEARING, FHF206-20G
34	10-22797	IDLER SPROCKET WASHER, RODONO
35	10-19606	KEY, 1/4" X 1-1/2" SQ
36	10-20399	3/16" X 5/8" GRIP RIVET
37	10-22941	CARRIAGE BOLT, 7/16" X 1-1/4" GR5 PLTD
38	10-22937	CARRIAGE BOLT, 3/8" X 1-3/4" GR5 PLTD
39	10-29997	BOLT, 3/4" X 5-1/2" GR8 PLTD
40	10-19588	BOLT, 1/2" X 1-1/4" GR5 PLTD
41	10-23043	CHAIN, #60-59P W/ CONN & HALF LINK
42	10-19538	BOLT, 5/16" X 3/4" GR2 PLTD
43	10-19540	BOLT, 3/8" X 3/4" GR5 PLTD
44	10-18698	BOLT, 7/16" X 1-1/4" GR8 PLTD
45	10-18186	RIVET WASHER, 3/16" X 1" PLTD
46	10-22938	WING NUT, 5/16" PLTD
47	10-19980	LOCKNUT, 5/16" PLTD
48	10-19601	LOCKNUT, 3/4" PLTD
49	10-19599	LOCKNUT, 1/2" PLTD
50	10-19598	LOCKNUT, 7/16" PLTD



X-TEND HOPPER

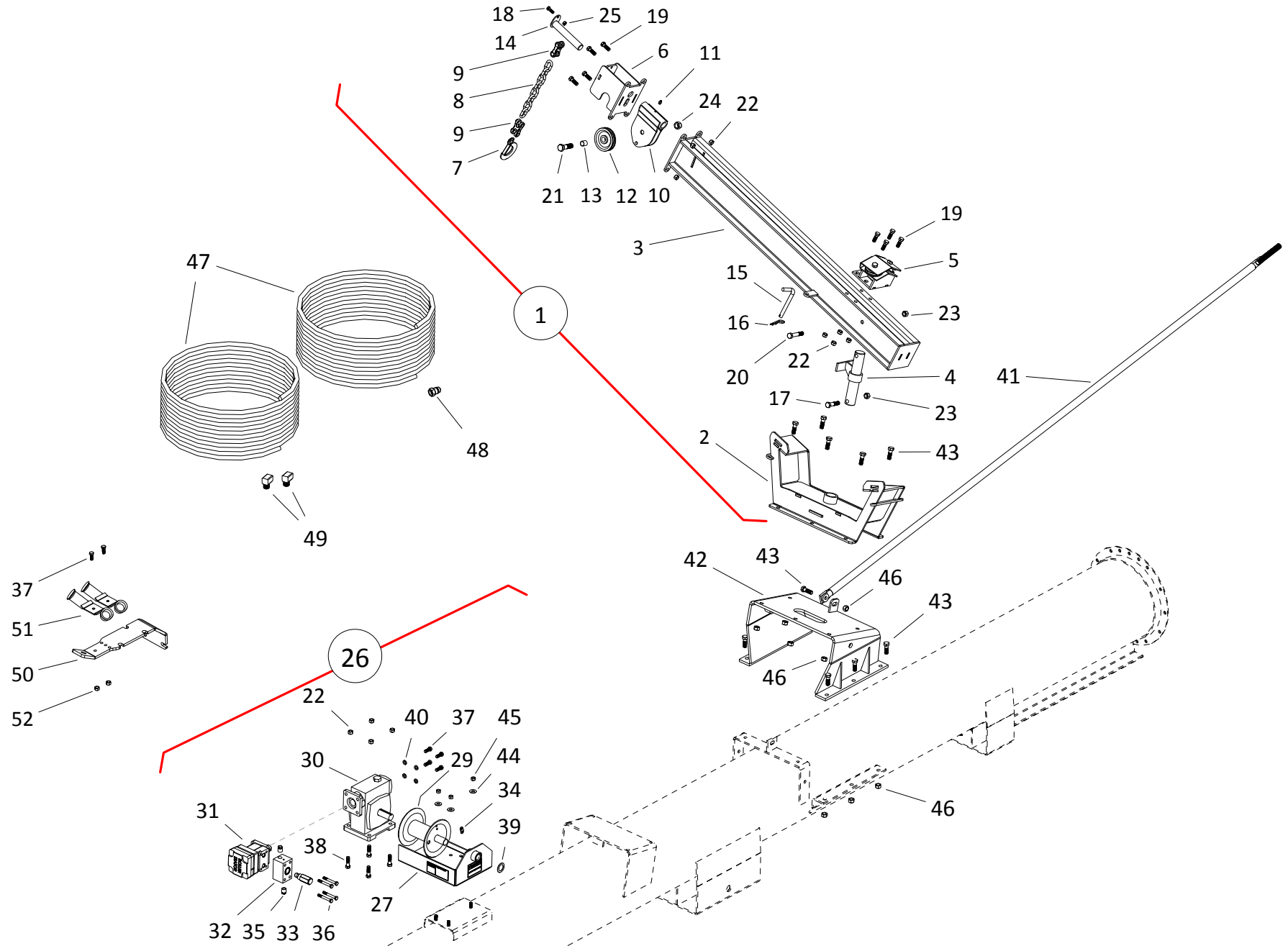
ITEM	PART NO.	DESCRIPTION
51	10-17754	HEX NUT, 3/8" PLAIN
52	10-29526	#60 OFFSET LINK
53	10-19604	3/8" LOCK WASHER PLTD
54	10-19592	3/4" X 2" NC BOLT GR 8 PLTD
55	10-22932	BUSHING, 1-1/4" X 3/8", RODONO
56	10-18948	3/4" RIM WASHER PLTD

X-TEND POWER SWING



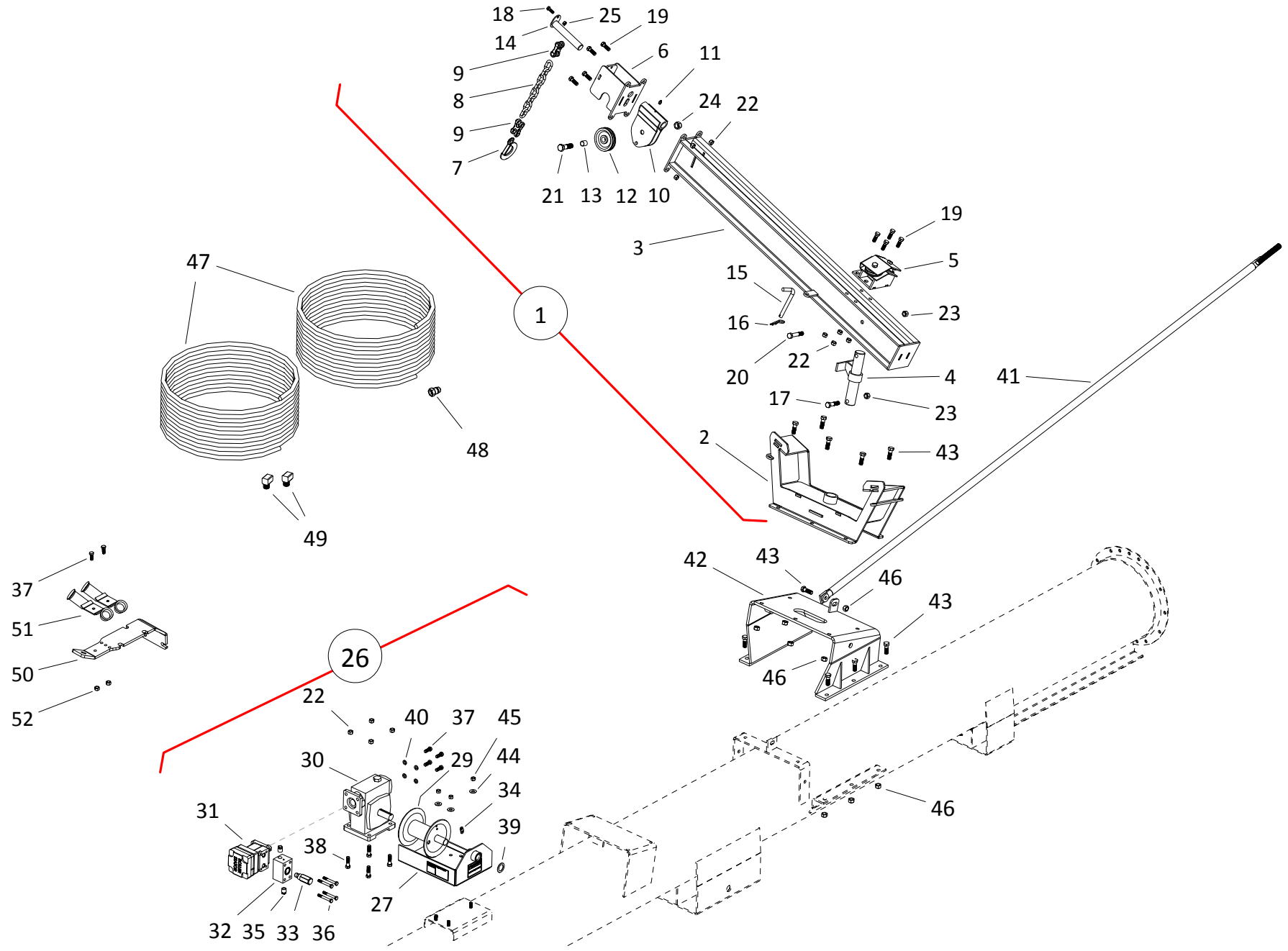
X-TEND POWER SWING

ITEM	PART NO.	DESCRIPTION
1	10-22905	POWERSWING ASSY, 13" RODONO
2	10-22903	POWERSWING, 13" RODONO
3	10-22943	PS FRONT STIFFENER, 13" RODONO
4	10-22904	POWERSWING SPINDLE, 13" RODONO
5	10-22915	POWERSWING HUB ASSY, LH, 13" RODONO
6	10-22914	POWERSWING HUB, LH, 13" RODONO
7	10-19222	GREASE ZERK, 1/4" #28
8	10-19776	BUSHING, 1-1/4"
9	10-22916	POWERSWING HUB ASSY, 13" RODONO
10	10-22917	POWERSWING HUB, 13" RODONO
11	10-22869	HYDRAULIC MOTOR
12	10-22919	PS DRIVE SPROCKET, 13" RODONO
13	10-23042	CHAIN, #50-73P W/ CONNECTOR LINK
14	10-19134	CONNECTOR LINK, #50
15	10-22918	WASHER, 5/16" ID X 1-1/4" OD
16	10-29998	LYNCH PIN 3/16 X 1-1/4 Y.ZINC PLTD
17	10-18699	BOLT, 3/8" X 2-1/2" GR5 PLTD
18	10-18955	BOLT, 3/8" X 1" GR5 PLTD
19	10-19540	3/8" X 3/4" NC BOLT GR 5 PLTD
20	10-19589	BOLT, 1/2" X 1-1/2" GR 8 PLTD
21	9900800	BOLT, 1/4" X 3/4" GR5 PLTD
22	10-17392	FLAT WASHER, 3/8" PLTD
23	10-19604	LOCK WASHER, 3/8" PLTD
24	9900783	LOCKWASHER, 1/4" PLTD
25	10-19599	LOCKNUT, 1/2" PLTD



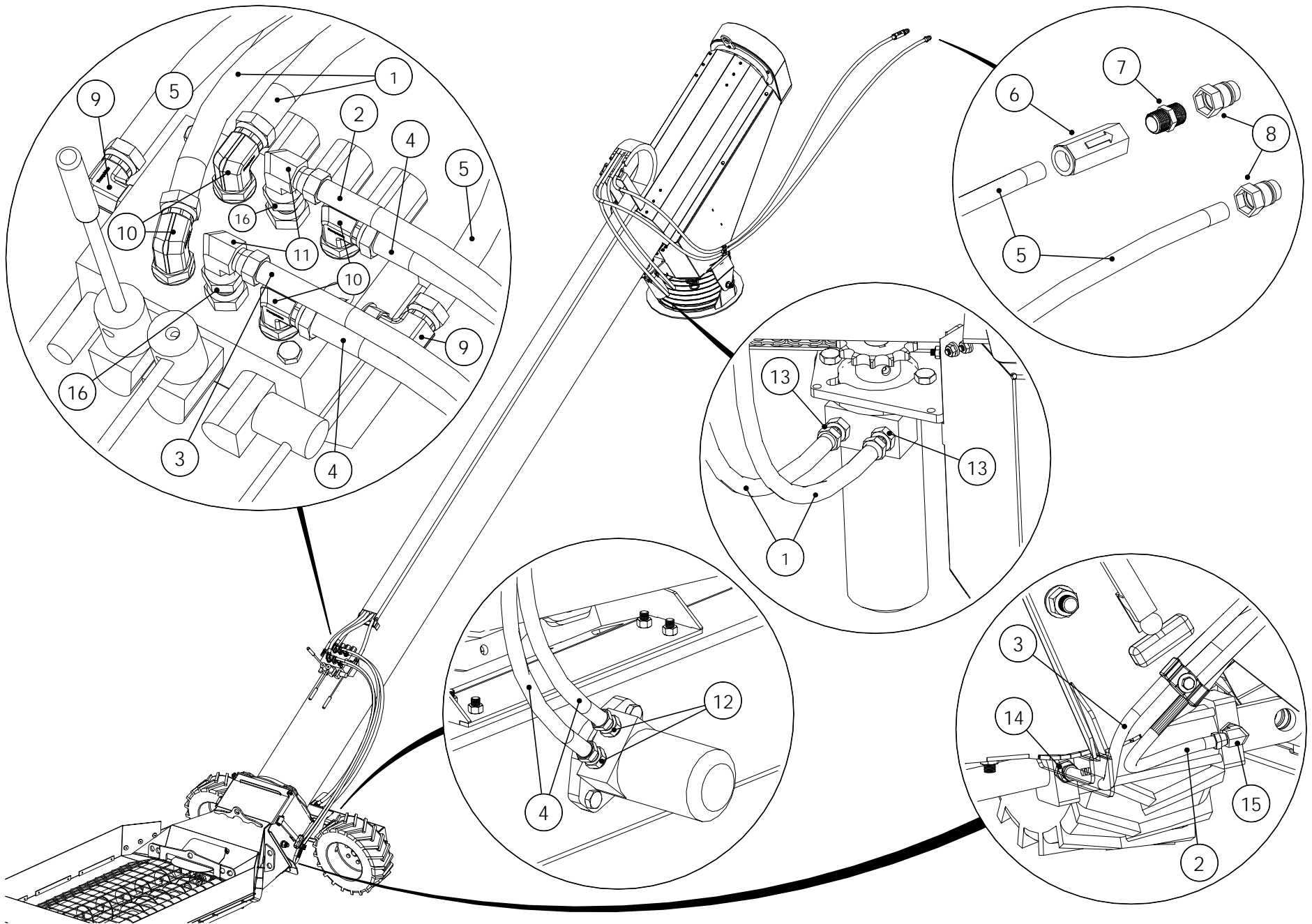
X-TEND PARTS

ITEM	PART NO.	DESCRIPTION
1	10-22982	MKX/X16 LIFT ARM ASSY, 2017
2	10-20664	LIFT ARM BASE
3	10-22989	LIFT ARM ONLY, 2017
4	10-20667	LIFT ARM SWIVEL
5	10-20668	LIFT ARM PULLEY GUIDE
6	10-22984	LIFT ARM, CABLE PULLEY SUPPORT
7	10-28997	1/2T EYE HOIST HOOK W/ LATCH
8	10-22793	5/16 GRADE 30 CHAIN X 11 LINK, PLTD
9	10-20083	5/16" MID LINK
10	10-22983	LIFT ARM SLEEVE ASSY, 2017
11	10-19222	GREASE ZERK, 1/4" #28
12	10-22987	LIFT ARM PULLEY ASSEMBLY, 2017
13	10-22988	LIFT ARM PULLEY BUSHING, 2017
14	10-22990	LIFT ARM PULLEY PIN
15	10-19648	SADDLE PIN
16	10-19463	SNAP PIN
17	9900560	BOLT, 1/2" X 2-1/4" GR5 PLTD
18	10-17125	BOLT, 5/16" X 1" GR8 PLTD
19	10-18698	BOLT, 7/16" X 1-1/4" GR8 PLTD
20	10-19798	BOLT, 1/2" X 2-3/4" GR8 PLTD
21	10-29251	5/8" X 2-3/4" NC BOLT GR 8 PLTD
22	10-19598	7/16" NC NYLON LOCKNUT GR 2 PLTD
23	10-19599	LOCKNUT, 1/2" PLTD
24	10-19600	LOCKNUT, 5/8" PLTD
25	10-19980	LOCKNUT, 5/16" PLTD
26	10-17634	HYDRAULIC WINCH ASSEMBLY, RED
27	10-17628	HYD WINCH FRAME ASSM (14096) RED
29	10-17629	HYD WINCH DRUM (14080) RED
30	10-17625	HYDRAULIC WINCH GEARBOX
31	10-17626	HYDRAULIC MOTOR
32	10-28221	HYD MOTOR BYPASS VALVE 0700023
33	10-28222	RELIEF VALVE 0700024
34	10-18496	WINCH KEEPER KIT
35	0308013	3/8 NPT PLASTIC PLUG
36	10-17631	BOLT, 5/16" X 2-1/2" GR2 PLTD
37	10-18955	BOLT, 3/8" X 1" GR5 PLTD
38	10-28744	BOLT, 7/16" X 1-1/2" GR5 PLTD
39	10-18097	RIM WASHER, 1" PLTD
40	10-19604	LOCK WASHER, 3/8" PLTD
41	200524RD	CROSS BRACE - XTEND
42	10-21769	13" BOLT ON LIFT ARM MOUNT, GULP
43	10-19589	BOLT, 1/2" X 1-1/2" GR 8 PLTD
44	10-17392	FLAT WASHER, 3/8" PLTD
45	10-17402	3/8" NC NYLON LOCKNUT PLTD
46	10-19599	LOCKNUT, 1/2" PLTD
47	10-22611	HYDRAULIC HOSE, 3/8" X 215"
48	9900047	PIONEER COUPLER
49	10-28478	STEEL ELBOW, 1/2 MNPT X 1/2 FNPSM
50	10-20043	PTO/VALVE BRACKET
51	10-17467	DOUBLE HOSE HOLDER



X-TEND PARTS

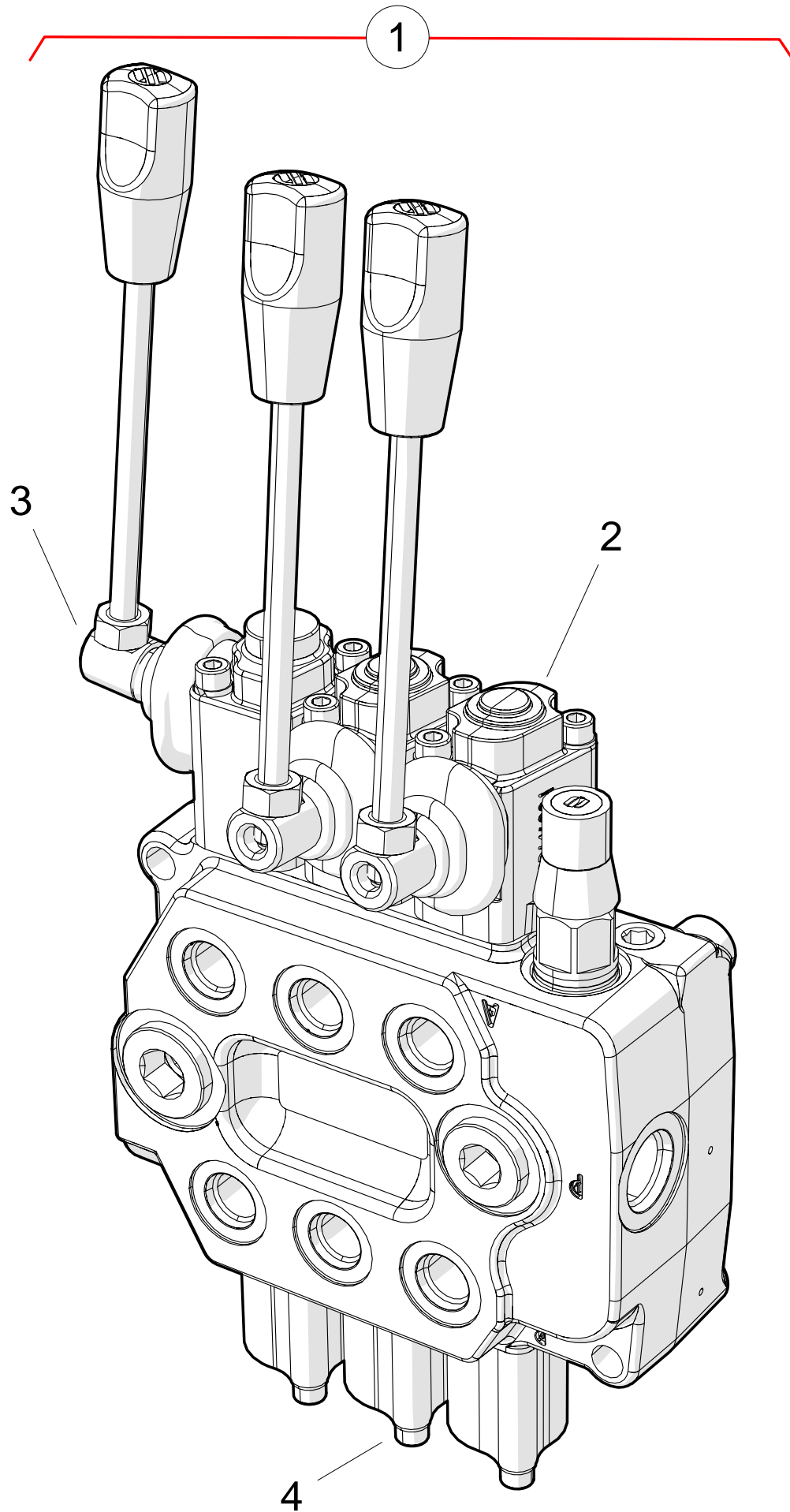
ITEM	PART NO.	DESCRIPTION
52	10-19596	3/8" NC SERRATED FLANGE NUT PLTD



X-TEND HYDRAULIC LINES

ITEM	PART NO.	DESCRIPTION
1	10-22971	HYDRAULIC HOSE, 3/8" X 202"
2	10-22972	HYDRAULIC HOSE, 1/4" X 79"
3	10-22973	HYDRAULIC HOSE, 1/4" X 71"
4	10-28228	HYDRAULIC HOSE, 3/8" X 48"
5	10-28737	HYDRAULIC HOSE, 3/8" X 347"
6	10-22147	CHECK VALVE, 1/2"FNPT X 1/2"FNPT
7	10-28479	STEEL NIPPLE, 1/2NPT
8	9900047	PIONEER COUPLER
9	10-22558	STEEL ELBOW, 8MORB X 6 FNPSM
10	10-22191	STEEL ELBOW, 6MORB X 3/8"NPSM
11	10-22976	STEEL ELBOW, 3/8 MNPT X 1/4 FNPSM
12	10-22975	FTG,STL,1/2MNPT X 3/8NSPM
13	10-22974	FTG,STL,10MORB X 3/8NSPM
14	10-22981	FTG,STL,#8MORB X 1/4NSPM
15	10-22977	STEEL ELBOW, #8MORB X 1/4 FNPSM
16	10-23078	STRAIGHT FITTING, 6MORB X 3/8 FNPSM

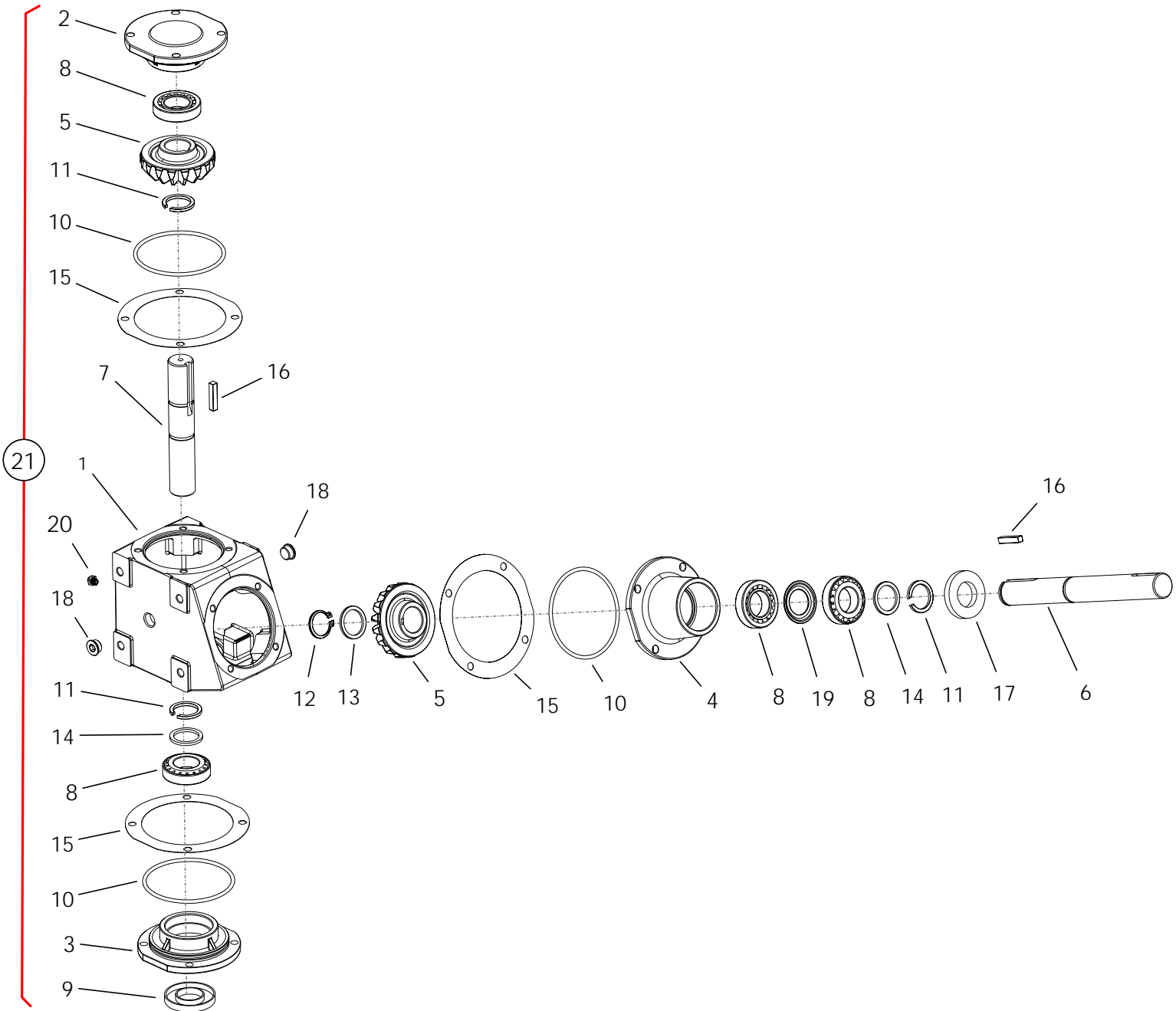
VALVE (22839)



VALVE (22839)

ITEM	PART NO.	DESCRIPTION
1	10-22839	3 SPOOL VALVE
2	10-20401	SALAMI LEVER BOX KIT
3	10-23725	LEVER BOX 90 DEG
4	10-23726	SPOOL SPRING RETURN KIT

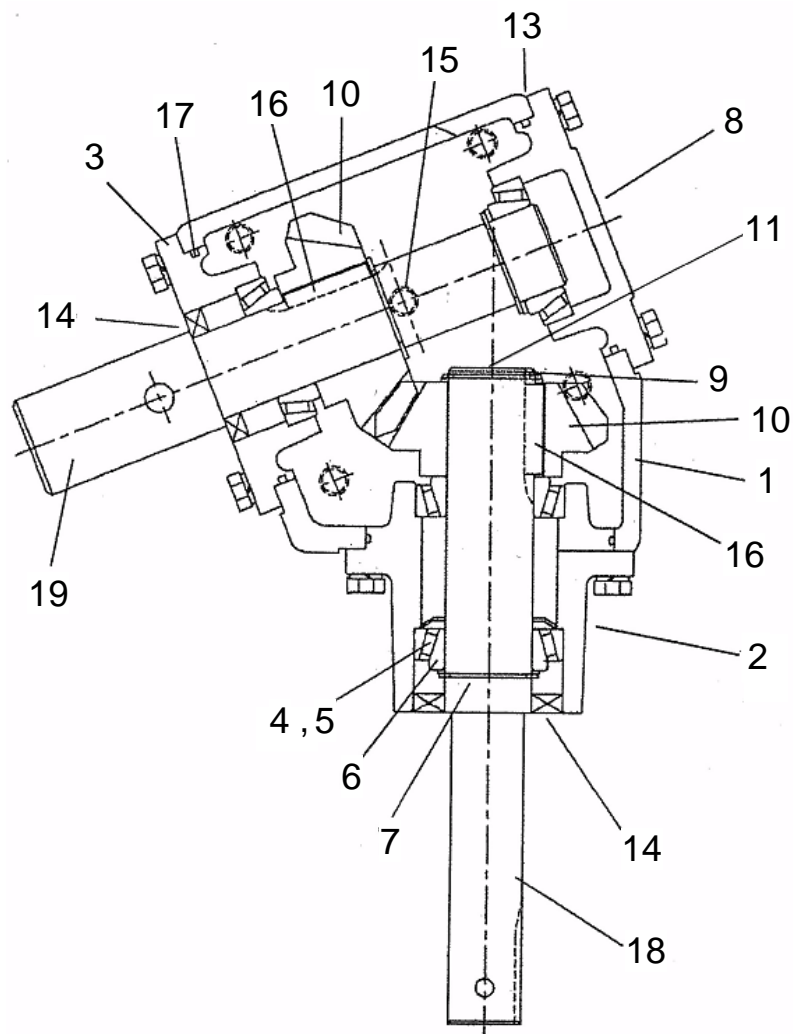
X-TEND GEARBOX (22810)



X-TEND GEARBOX (22810)

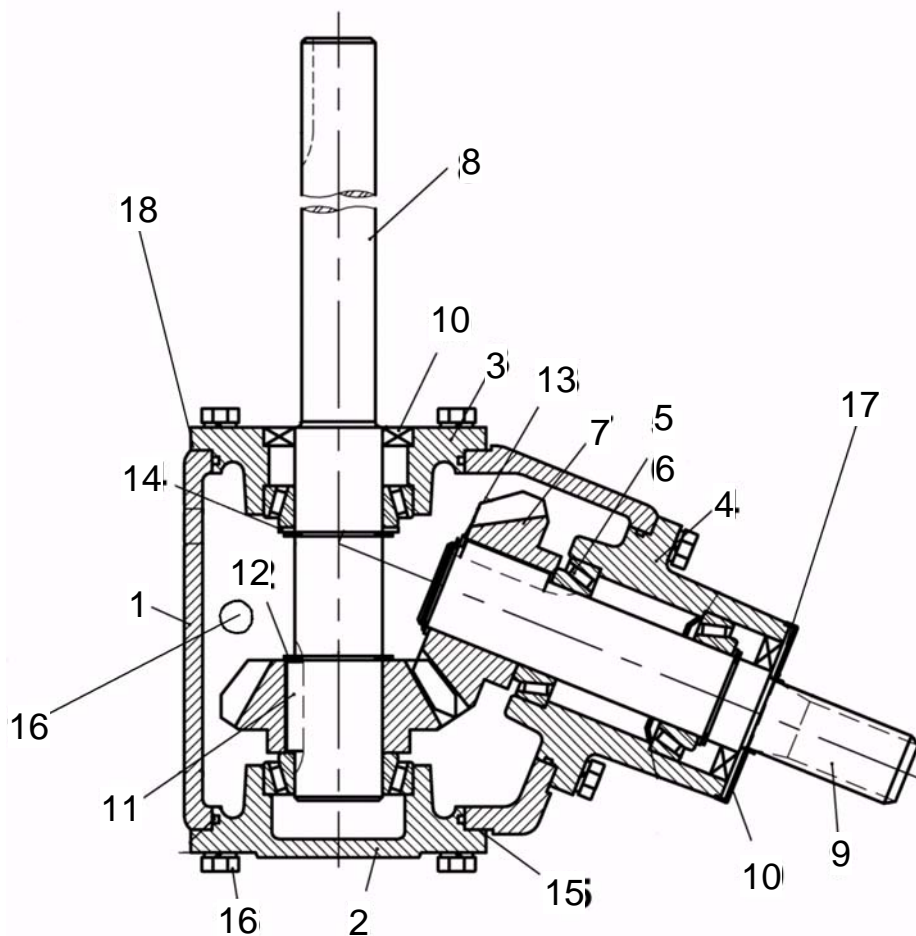
ITEM	PART NO.	DESCRIPTION
1	10-27690	HOUSING
2	10-27695	END CAP
3	10-23106	END CAP
4	10-23107	QUILL
5	10-23108	GEAR, DP4.23, TEETH 17 (1.375ID)
6	10-23109	QUILL SHAFT
7	10-23110	CROSS SHAFT
8	10-23111	BEARING CONE, LM48548
8A	10-23112	BEARING CUP, LM48510
9	10-23113	SEAL, 1.374X2.374X0.374
10	10-27701	O-RING, 105 x 3.1MM
11	10-23114	RETAINER RING, 35X4
12	10-23115	SNAP RING, 35X2.5
13	10-27696	SHIM
14	10-23116	SPACER (1.386 ID)
15	10-27698	GASKET
16	10-27700	SQUARE KEY, 5/16" X 1-1/2"
17	10-23117	SEAL, 1.374X2.563X0.374
18	10-28296	3/8" SOLID GEARBOX PLUG
19	10-23118	GREASE WASHER
20	10-23119	RELIEF PLUG, 1/8" NPT
21	10-22810	GEARBOX, 68DEG BEVEL

UPPER GEARBOX (27560)



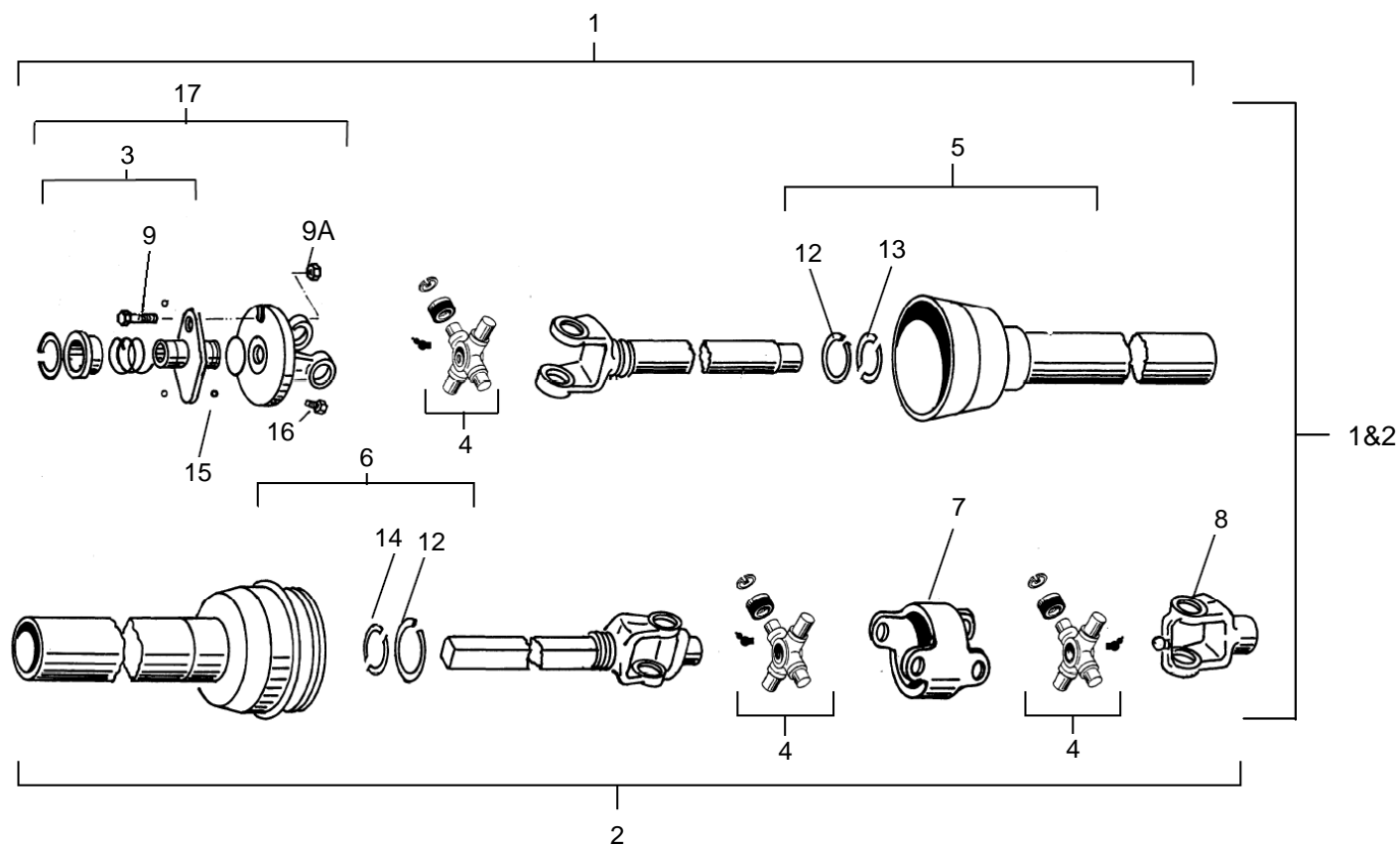
ITEM	PART NO.	DESCRIPTION
1	10-27690	HOUSING
2	10-27691	QUILL
3	10-27692	END CAP
4	10-17008	CUP TIMKEN #LM 29710
5	10-27693	BEARING CUP #LM 29748
6	10-27694	SPACER
7	10-27789	RETAINER RING
8	10-27695	END CAP
9	10-27696	SHIM
10	10-27697	GEAR
11	10-27708	SNAP RING
13	10-27698	SHIM
14	10-27699	SEAL, 38.1 x 65.1 x 8
15	10-28296	3/8" SOLID GEARBOX PLUG
16	10-27700	SQUARE KEY, 5/16" x 1-1/2"
17	10-27701	O-RING, 105 x 3.1MM
18	10-27703	PINION SHAFT
19	10-27705	CROSS SHAFT

LOWER GEARBOX (29085)



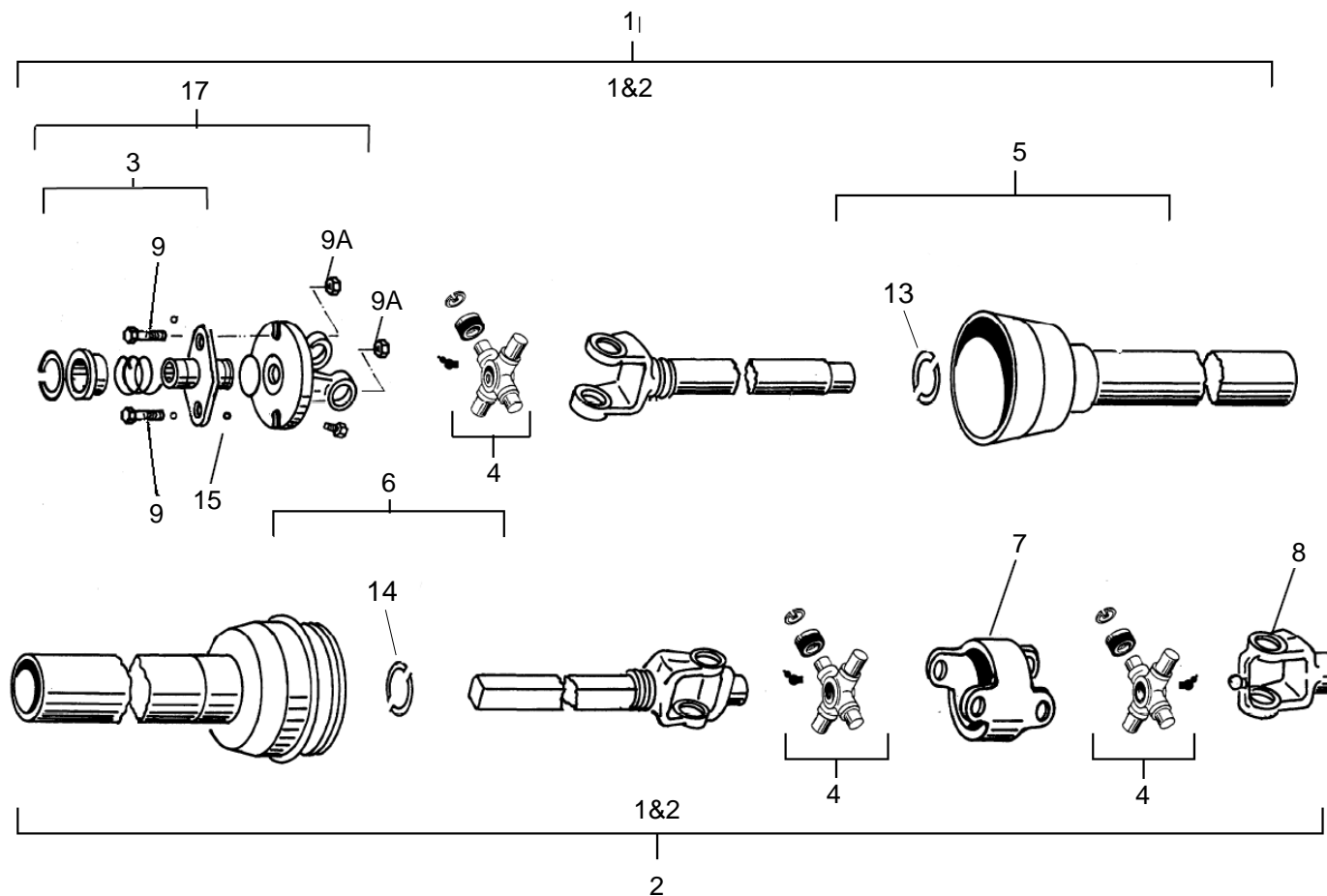
ITEM	PART NO.	DESCRIPTION
1	10-27690	HOUSING
2	10-27695	END CAP
3	10-27692	END CAP
4	10-27691	QUILL
5	10-27693	BEARING CUP #IM29748
6	10-17008	CUP TIMKEN #IM29710
7	10-27697	GEAR, DP 4.23 TEETH 17
8	10-29281	SHAFT CROSS GEARBOX (LONG)
9	10-27704	PINION SHAFT
10	10-27699	SEAL, (38.1 x 65.1 x 8)
11	10-27700	SQUARE KEY, 5/16" x 1-1/2"
12	10-27789	RETAINER RING
13	10-27696	SHIM
14	10-27708	SNAP RING
15	10-27698	SHIM
16	10-28296	3/8" SOLID GEARBOX PLUG
17	10-27702	SHIELD
18	10-27701	O-RING, 105 x 3.1 MM

CONSTANT VELOCITY PTO SHAFT (18455)



ITEM	PART NO.	DESCRIPTION
1&2	10-18455	COMPLETE PTO SHAFT
1	10-18268	1/2 PTO SHAFT, TRACTOR END
2	10-18269	1/2 PTO SHAFT, IMPLEMENT END
3	10-18270	SPRING LOCK REPAIR KIT
4	10-18271	UNIVERSAL JOINT REPAIR KIT
5	10-18272	PLASTIC SHIELD C/W REFERENCE NO. 12&13, TRACTOR END
6	10-18273	PLASTIC SHIELD C/W REFERENCE NO. 12&14, IMPLEMENT END
7	10-18274	CV CENTER HOUSING
8	10-18358	END YOKE
9	10-18454	3/8" X 1" GR8 BOLT
9A	10-18956	3/8" 2-WAY LOCKNUT
12	10-18467	RETAINER RING
13	10-18468	NYLON BEARING
14	10-18441	NYLON BEARING
15	10-18470	BALL BEARING KIT
16	10-19995	BOLT, 3/8" - 16 X 1/2", GR5
17	10-18440	SHEAR ASSEMBLY

CONSTANT VELOCITY PTO SHAFT (29140)



ITEM	PART NO.	DESCRIPTION
1&2	10-29140	COMPLETE 2-BOLT SHEAR 55E CV DRIVELINE
1	10-29247	1/2 PTO SHAFT, TRACTOR END
2	10-17545	1/2 PTO SHAFT, IMPLEMENT END
3	10-17546	SPRING LOCK REPAIR KIT
4	10-17547	UNIVERSAL JOINT REPAIR KIT
5	10-17548	PLASTIC SHIELD C/W REFERENCE NO. 12&13, TRACTOR END
6	10-17549	PLASTIC SHIELD C/W REFERENCE NO. 12&14, IMPLEMENT END
7	10-17550	CV CENTER HOUSING
8	10-17551	END YOKE
9	10-29246	3/8" X 1" GR8 SHEAR BOLT
9A	10-18956	3/8" 2-WAY LOCKNUT
13	10-21993	NYLON BEARING
14	10-21966	NYLON BEARING
15	10-18470	BALL BEARING KIT
16	10-19995	BOLT, 3/8" - 16 X 1/2", GR5
17	10-29245	2-BOLT SHEAR ASSEMBLY



P.O. Box 39

Rosenort, Manitoba, R0G 1W0 Canada

Phone: (866) 467-7207 (Canada & USA) or (204) 746-2396

Fax: (866) 768-4852

website: www.grinaugers.com

email: sales@grinaugers.com

© Ag Growth International Inc. 2020

Printed in Canada