



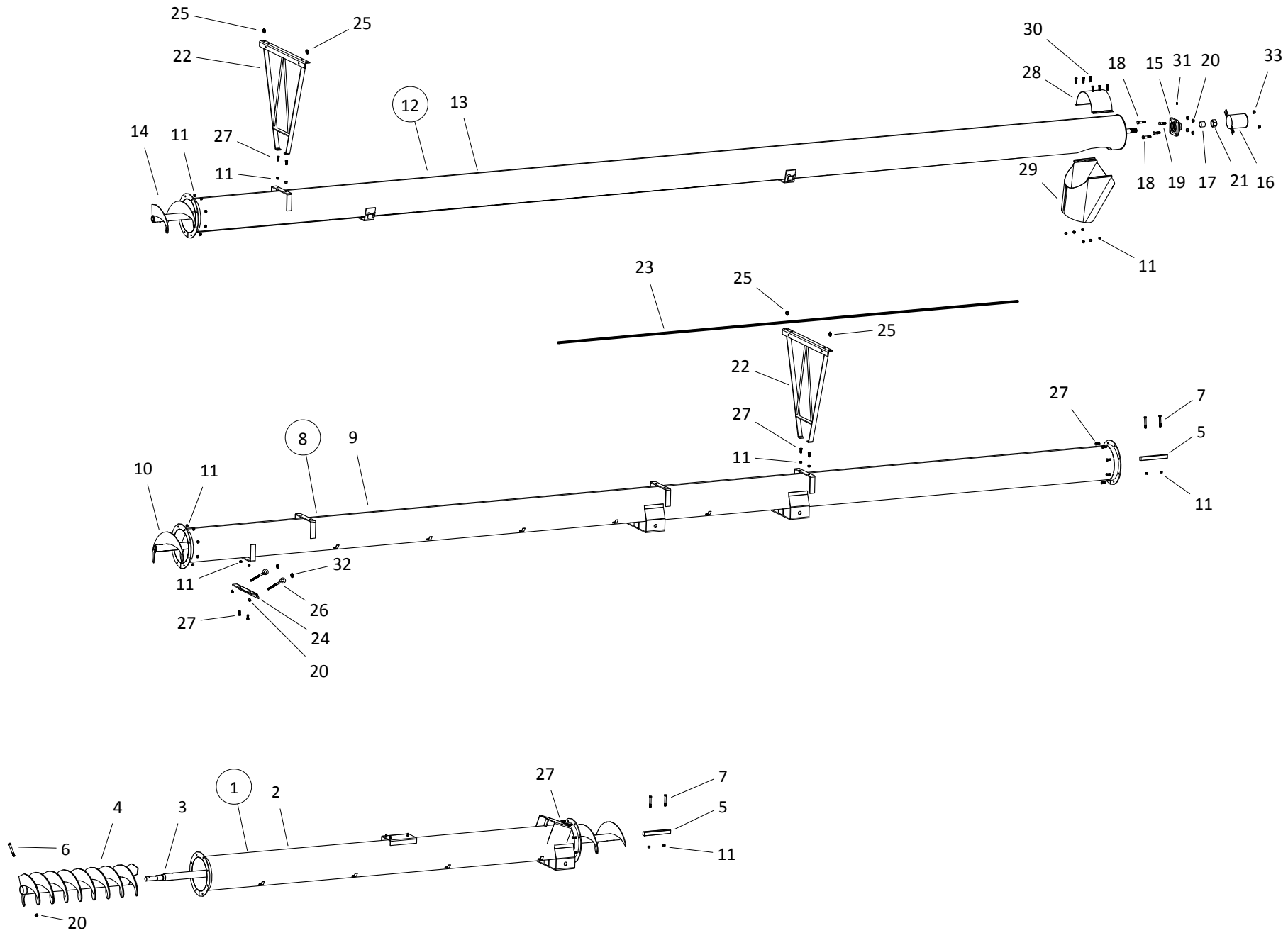
X10 (2020) SERIES AUGER

PARTS MANUAL

TABLE OF CONTENTS

DESCRIPTION	PAGE
TUBE & TRUSS COMPONENTS, X10-63 YELLOW (2020)	4
TUBE & TRUSS COMPONENTS, X10-73 YELLOW (2020)	6
TUBE & TRUSS COMPONENTS, X10-83 YELLOW (2020)	8
FRAME COMPONENTS, X10-63	10
FRAME COMPONENTS, X10-73	12
FRAME COMPONENTS, X10-83	14
HYDRAULIC LIFT COMPONENTS, X10-63	16
HYDRAULIC LIFT COMPONENTS, X10-73	17
HYDRAULIC LIFT COMPONENTS, X10-83	18
LIFT ARM COMPONENTS, X10	19
BOOT, X10	21
SWING TUBE, X10	25
LOW PROFILE HOPPER, X10	27
HYDRAULIC WINCH [A296]	29
HYDRAULIC VALVE [A336]	31
RIGHT ANGLE DRIVE [A293]	33
REVERSING KIT [A292]	35
ELECTRIC LANDING GEAR POWER SWING-10" (A363)	37
HYDRAULIC LANDING GEAR POWER SWING-10" (A362)	39
WORK LIGHT KIT, 63 (A348) 73 (A350) 83 (A352)	43
UPPER GEARBOX (18849)	45
LOWER GEARBOX (21549)	47
CONSTANT VELOCITY PTO SHAFT (18484)	49
CONSTANT VELOCITY PTO SHAFT (27481)	50

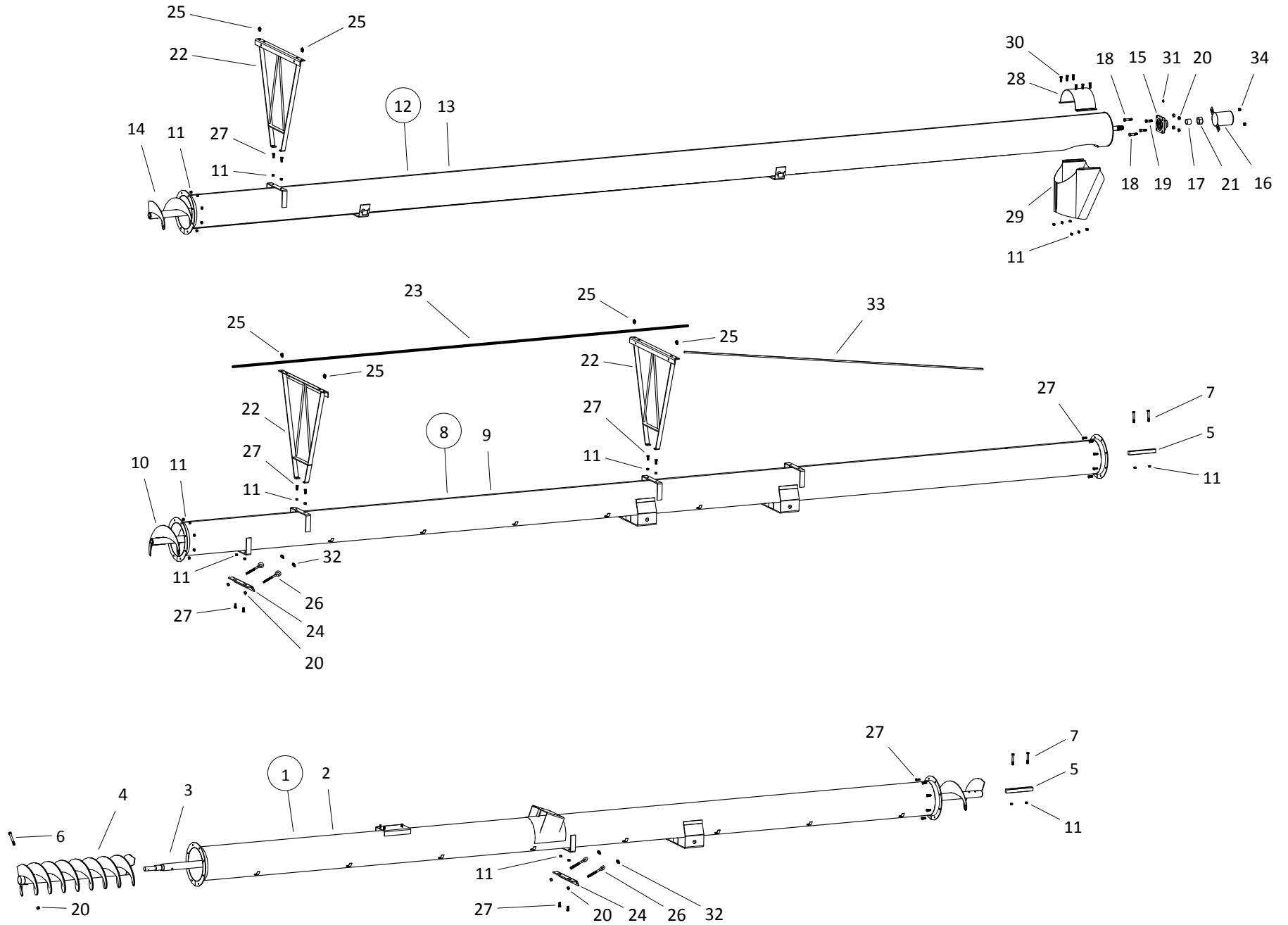
TUBE & TRUSS COMPONENTS, X10-63 YELLOW (2020)



TUBE & TRUSS COMPONENTS, X10-63 YELLOW (2020)

ITEM	PART NO.	DESCRIPTION
1	10-21729YL	X1063 LOWER TUBE BUNDLE
2	10-21728YL	X1063 LOWER TUBE ONLY
3	10-21692	MKX1063 LOWER FLIGHT W/BOOT FLIGHT
4	10-21708	MKX/X10 BOOT FLIGHT
5	10-21690	MKX/X10 FLIGHT CONNECTING SHAFT
6	10-18947	1/2" X 4" NC BOLT GR 8 PLTD
7	10-19546	7/16" X 3" NC BOLT GR 5 PLTD
8	10-21731YL	X1063/73 MIDDLE TUBE BUNDLE
9	10-21730YL	X1063/73 MIDDLE TUBE ONLY
10	10-21693	MKX1063/73 MIDDLE FLIGHT
11	10-19598	7/16" NC NYLON LOCKNUT GR 2 PLTD
12	10-21733YL	X1063/73 UPPER TUBE BUNDLE
13	10-21732YL	X1063/73 UPPER TUBE ONLY
14	10-21696	MKX100-53/63/73 UPPER FLIGHT
15	10-19567	BEARING, 1-1/4" PILLOW
16	10-27576	THRUST ADJUSTER COVER
17	10-21657	BUSHING, MKX/X10 THRUST ADJUSTER
18	10-27816	1/2" X 2" NC BOLT GR 5 PLTD
19	10-19974	1/2" X 1-3/4" NC BOLT GR 8 PLTD
20	10-19599	1/2" NC NYLON LOCKNUT GR 2 PLTD
21	10-24422	1-1/4" NYLON LOCKNUT UNF GR8 PLTD
22	4504083	LOW TRUSS, 30"
23	10-27503	LIFT CABLE
24	10-18032WH	X10 TRUSS ATTACH ANGLE
25	10-19333	5/16" CABLE CLAMP
26	10-19331	EYE BOLT/NUT 1/2" X 5"
27	10-19542	7/16" X 1" NC BOLT GR 5 PLTD
28	10-27235	10" HITCH RING
29	200568RD	MKX/X10 2-PIECE SPOUT WELD'T
30	10-18698	7/16" X 1-1/4" NC BOLT GR 8 PLTD
31	10-19222	GREASE ZERK
32	10-18990	3/8" CABLE CLAMP
33	10-28261	1/2" SERRATED FLANGE NUT GR 2 PLTD

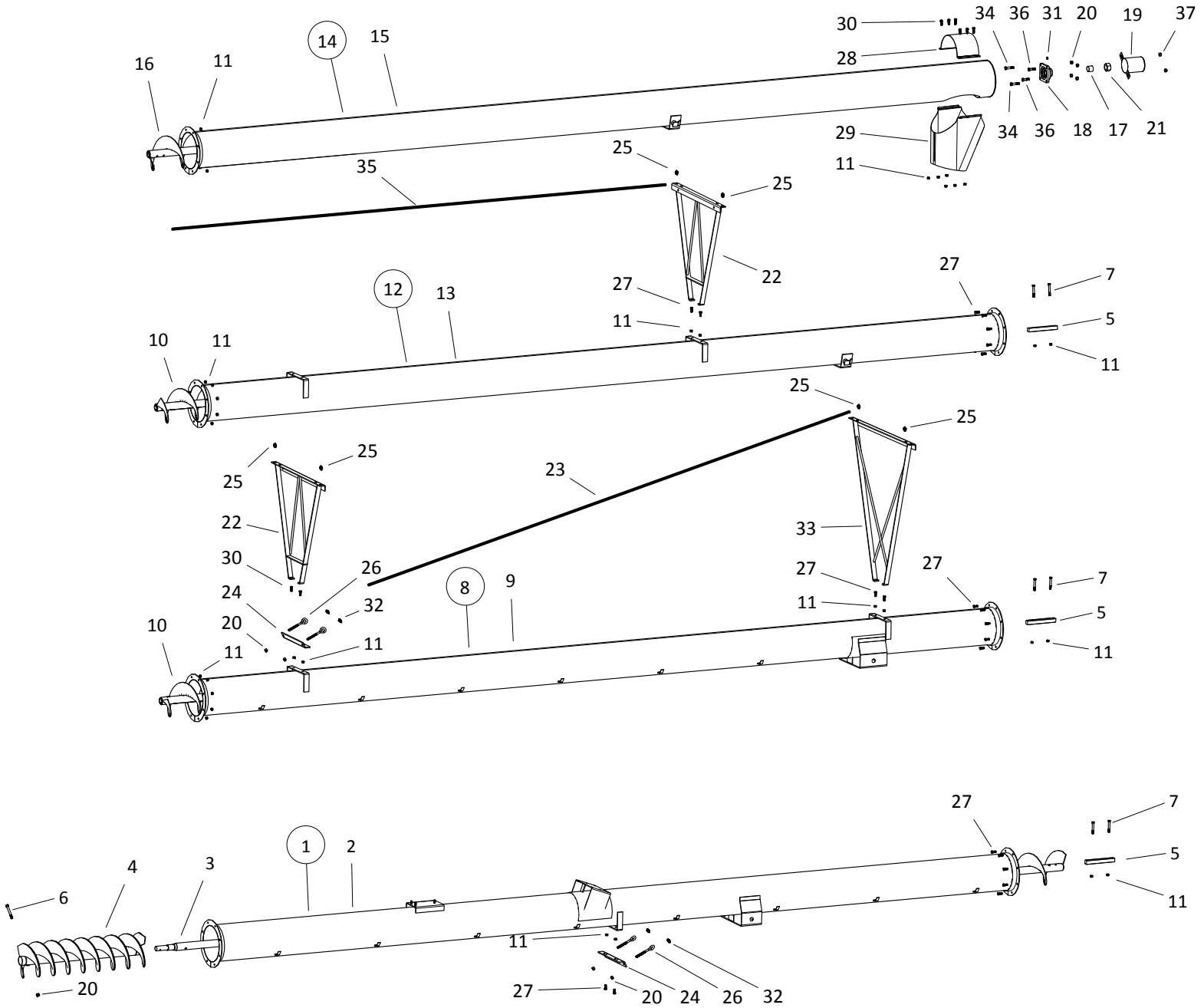
TUBE & TRUSS COMPONENTS, X10-73 YELLOW (2020)



TUBE & TRUSS COMPONENTS, X10-73 YELLOW (2020)

ITEM	PART NO.	DESCRIPTION
1	10-21735YL	X1073/83 LOWER TUBE BUNDLE
2	10-21734YL	X1073/83 LOWER TUBE ONLY
3	10-21694	MKX1073/83 LWR FLIGHT W/BOOT FLIGHT
4	10-21708	MKX/X10 BOOT FLIGHT
5	10-21690	MKX/X10 FLIGHT CONNECTING SHAFT
6	10-18947	1/2" X 4" NC BOLT GR 8 PLTD
7	10-19546	7/16" X 3" NC BOLT GR 5 PLTD
8	10-21731YL	X1063/73 MIDDLE TUBE BUNDLE
9	10-21730YL	X1063/73 MIDDLE TUBE ONLY
10	10-21693	MKX1063/73 MIDDLE FLIGHT
11	10-19598	7/16" NC NYLON LOCKNUT GR 2 PLTD
12	10-21733YL	X1063/73 UPPER TUBE BUNDLE
13	10-21732YL	X1063/73 UPPER TUBE ONLY
14	10-21696	MKX100-53/63/73 UPPER FLIGHT
15	10-19567	BEARING, 1-1/4" PILLOW
16	10-27576	THRUST ADJUSTER COVER
17	10-21657	BUSHING, MKX/X10 THRUST ADJUSTER
18	10-27816	1/2" X 2" NC BOLT GR 5 PLTD
19	10-19974	1/2" X 1-3/4" NC BOLT GR 8 PLTD
20	10-19599	1/2" NC NYLON LOCKNUT GR 2 PLTD
21	10-24422	1-1/4" NYLON LOCKNUT UNF GR8 PLTD
22	4504083	LOW TRUSS, 30"
23	10-17653	LIFT CABLE, 106' X 3/8"
24	10-18032WH	X10 TRUSS ATTACH ANGLE
25	10-19333	5/16" CABLE CLAMP
26	10-19331	EYE BOLT/NUT 1/2" X 5"
27	10-19542	7/16" X 1" NC BOLT GR 5 PLTD
28	10-27235	10" HITCH RING
29	200568RD	MKX/X10 2-PIECE SPOUT WELD'T
30	10-18698	7/16" X 1-1/4" NC BOLT GR 8 PLTD
31	10-19222	GREASE ZERK
32	10-18990	3/8" CABLE CLAMP
33	10-21819	X1073 TRUSS CABLE
34	10-28261	1/2" SERRATED FLANGE NUT GR 2 PLTD

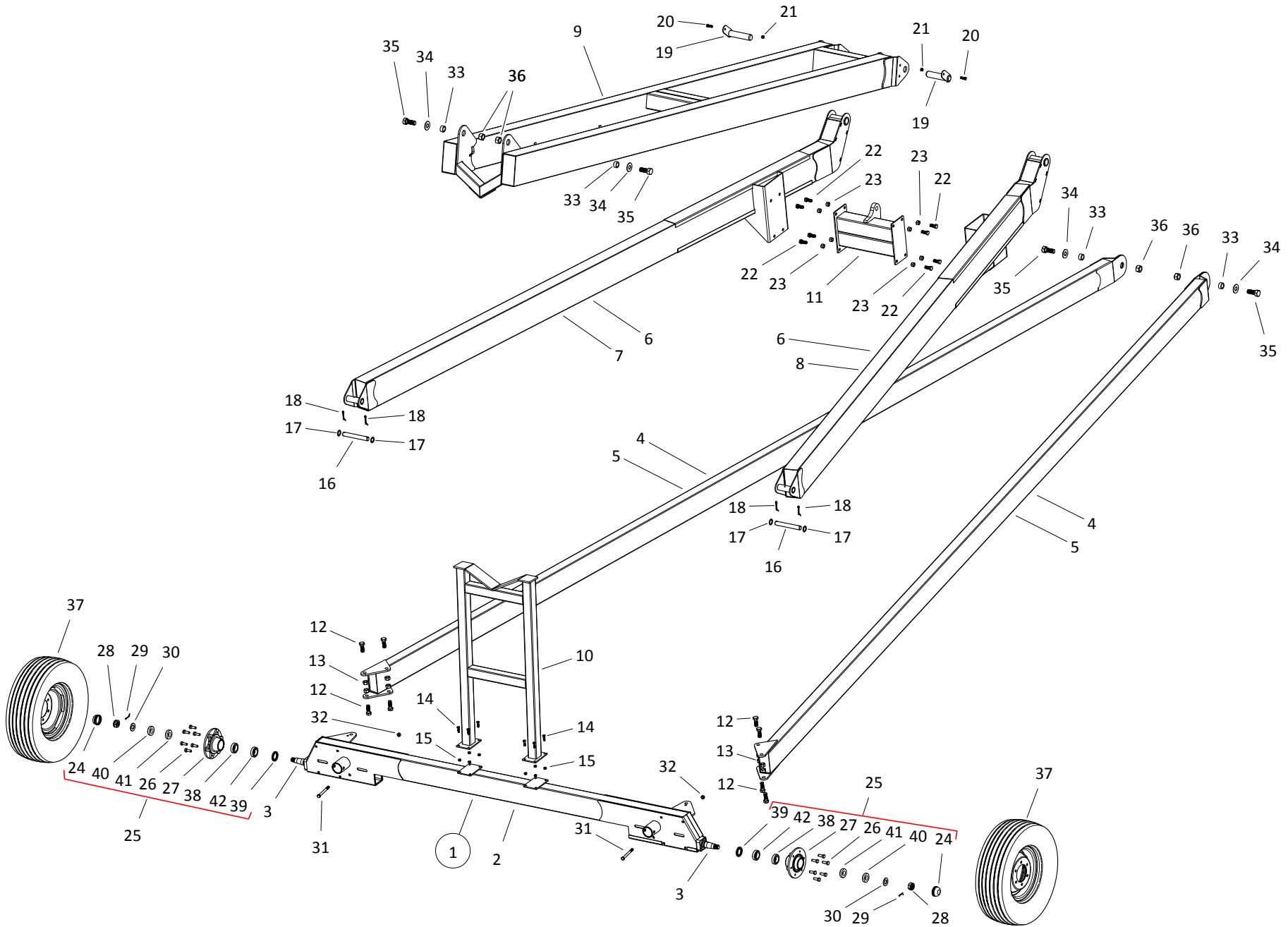
TUBE & TRUSS COMPONENTS, X10-83 YELLOW (2020)



TUBE & TRUSS COMPONENTS, X10-83 YELLOW (2020)

ITEM	PART NO.	DESCRIPTION
1	10-21735YL	X1073/83 LOWER TUBE BUNDLE
2	10-21734YL	X1073/83 LOWER TUBE ONLY
3	10-21694	MKX1073/83 LWR FLIGHT W/BOOT FLIGHT
4	10-21708	MKX/X10 BOOT FLIGHT
5	10-21690	MKX/X10 FLIGHT CONNECTING SHAFT
6	10-18947	1/2" X 4" NC BOLT GR 8 PLTD
7	10-19546	7/16" X 3" NC BOLT GR 5 PLTD
8	10-21737YL	X1083 LOWER MIDDLE TUBE BUNDLE
9	10-21736YL	X1083 LOWER MIDDLE TUBE ONLY
10	10-21695	MKX1083 MIDDLE FLIGHT
11	10-19598	7/16" NC NYLON LOCKNUT GR 2 PLTD
12	10-21739YL	X1083 UPPER MIDDLE TUBE BUNDLE
13	10-21738YL	X1083 UPPER MIDDLE TUBE ONLY
14	10-21741YL	X1083 UPPER TUBE BUNDLE
15	10-21740YL	X1083 UPPER TUBE ONLY
16	10-21697	MKX100-83 UPPER FLIGHT
17	10-21657	BUSHING, MKX/X10 THRUST ADJUSTER
18	10-19567	BEARING, 1-1/4" PILLOW
19	10-27576	THRUST ADJUSTER COVER
20	10-19599	1/2" NC NYLON LOCKNUT GR 2 PLTD
21	10-24422	1-1/4" NYLON LOCKNUT UNF GR8 PLTD
22	4504083	LOW TRUSS, 30"
23	10-27502	UNDERTRUSS CABLE
24	10-18032WH	X10 TRUSS ATTACH ANGLE
25	10-19333	5/16" CABLE CLAMP
26	10-19331	EYE BOLT/NUT 1/2" X 5"
27	10-19542	7/16" X 1" NC BOLT GR 5 PLTD
28	10-27235	10" HITCH RING
29	200568RD	MKX/X10 2-PIECE SPOUT WELD'T
30	10-18698	7/16" X 1-1/4" NC BOLT GR 8 PLTD
31	10-19222	GREASE ZERK
32	10-18990	3/8" CABLE CLAMP
33	4504174	42" TRUSS BRACKET
34	10-27816	1/2" X 2" NC BOLT GR 5 PLTD
35	10-21808	MKX/X1083 TRUSS CABLE
36	10-19974	1/2" X 1-3/4" NC BOLT GR 8 PLTD
37	10-28261	1/2" SERRATED FLANGE NUT GR 2 PLTD

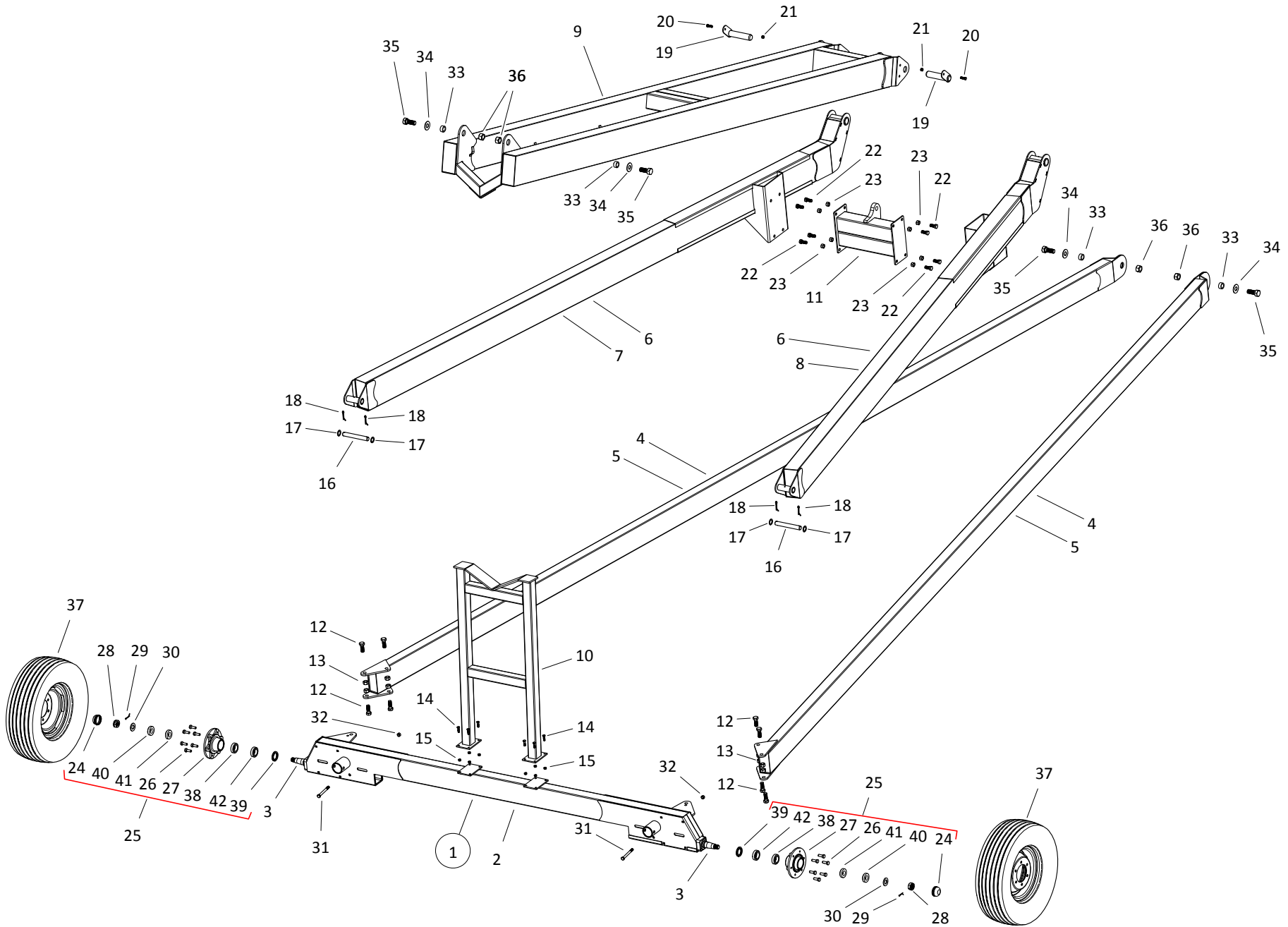
FRAME COMPONENTS, X10-63



FRAME COMPONENTS, X10-63

ITEM	PART NO.	DESCRIPTION
1	10-21765RD	X1063/73 AXLE ASSEMBLY
2	10-21747RD	X10 AXLE
3	10-21748RD	X1063/73 AXLE EXTENSION
4	10-21759	X1063 LOWER ARM BUNDLE
5	10-21742RD	X1063 LOWER REACH ARM
6	10-21762	X1063 LOWER SCISSOR BUNDLE
7	10-21743RD	X1063 LOWER SCISSOR, RH
8	10-21744RD	X1063 LOWER SCISSOR, LH
9	10-21745RD	X1063 UPPER SCISSOR
10	10-21746RD	X10 TRANSPORT STAND
11	10-21757RD	X10 SHORT CROSSMEMBER
12	10-19592	3/4" X 2" NC BOLT GR 8 PLTD
13	10-19601	3/4" NC NYLON LOCKNUT PLTD
14	10-19975	3/8" X 1-1/4" NC BOLT GR 5 PLTD
15	10-17402	3/8" NC NYLON LOCKNUT PLTD
16	10-20049	LOWER SCISSOR ATTACH PIN
17	10-18097	1" RIM WASHER PLTD
18	10-18098	1/4" X 1-3/4" COTTER PIN PLTD
19	10-21771	X10 SCISSOR PIN
20	10-18698	7/16" X 1-1/4" NC BOLT GR 8 PLTD
21	10-19598	7/16" NC NYLON LOCKNUT GR 2 PLTD
22	10-19590	5/8" X 1-1/2" NC BOLT GR 8 PLTD
23	10-19600	5/8" NC NYLON LOCKNUT PLTD
24	10-17012	DUST CAP
25	10-17013	HUB ASSEMBLY
26	10-17561	1/2" X 1-1/4" WHEEL BOLT
27	10-17009	HUB, 6-BOLT
28	10-17011	NUT, 1" SLOTTED
29	10-19271	1/8" X 1-1/2" COTTER PIN
30	10-17010	WASHER, HUB
31	10-29160	1/2" X 4-1/2" NC BOLT GR 8 PLTD
32	10-19599	1/2" NC NYLON LOCKNUT GR 2 PLTD
33	10-20297	SPACER BUSHING, SHORT
34	10-17020	1" FLAT WASHER PLTD
35	10-28483	1" X 2-1/2" NC BOLT GR 5 PLTD
36	10-17019	1" NC NYLON LOCKNUT PLTD
37	10-29015	16 X 6 X 6 BOLT WHEEL ASSEMBLY
38	10-17007	LG HUB BEARING
39	10-17006	HUB SEAL
40	10-19265	SMALL HUB BEARING
41	10-19266	BEARING CUP TIMKEN # LM 67010
42	10-17008	LARGE HUB CUP

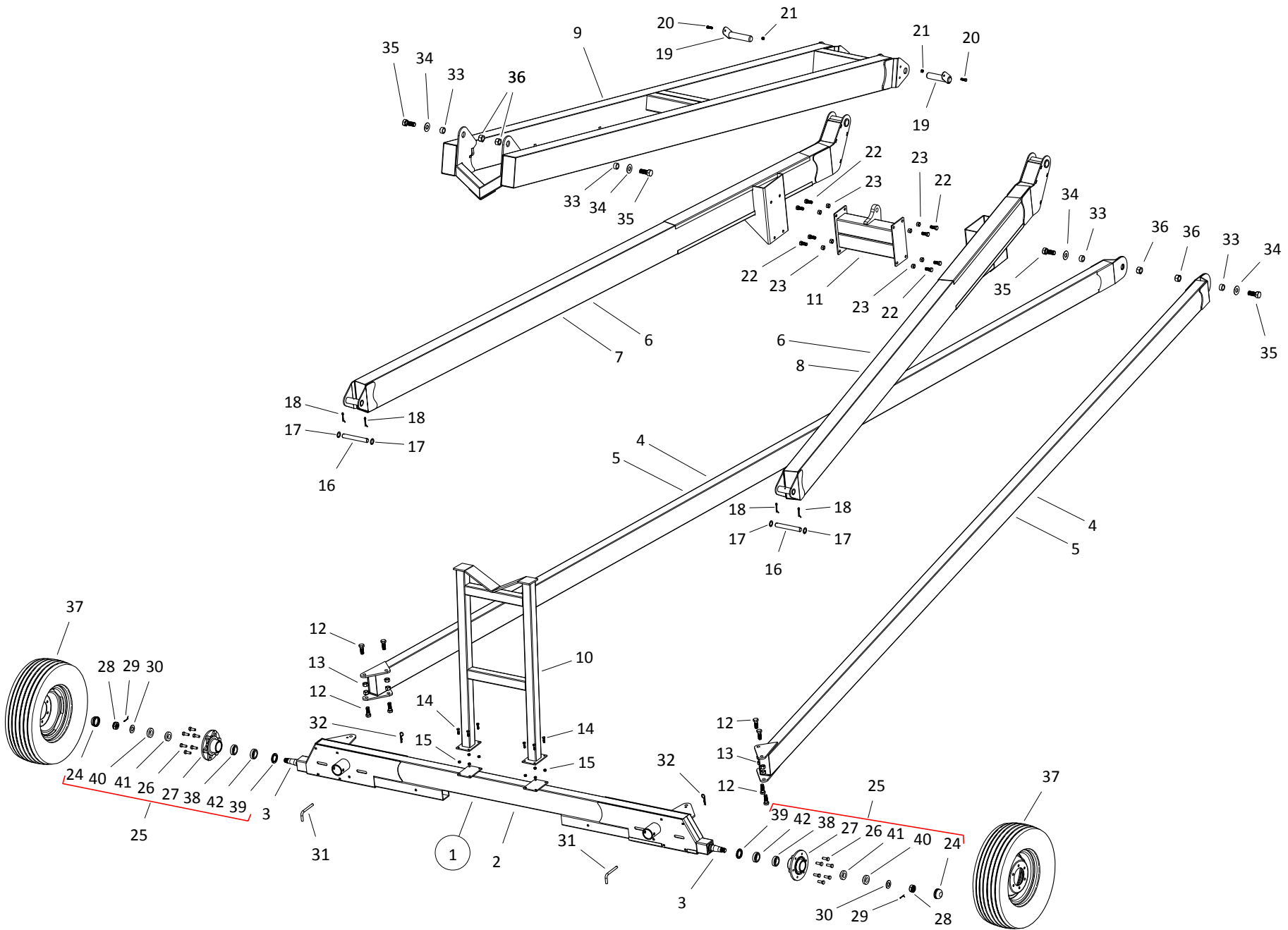
FRAME COMPONENTS, X10-73



FRAME COMPONENTS, X10-73

ITEM	PART NO.	DESCRIPTION
1	10-21765RD	X1063/73 AXLE ASSEMBLY
2	10-21747RD	X10 AXLE
3	10-21748RD	X1063/73 AXLE EXTENSION
4	10-21760	X1073 LOWER ARM BUNDLE
5	10-21749RD	X1073 LOWER REACH ARM
6	10-21763	X1073 LOWER SCISSOR BUNDLE
7	10-21751RD	X1073 LOWER SCISSOR, RH
8	10-21750RD	X1073 LOWER SCISSOR, LH
9	10-21752RD	X1073 UPPER SCISSOR
10	10-21746RD	X10 TRANSPORT STAND
11	10-21757RD	X10 SHORT CROSSMEMBER
12	10-19592	3/4" X 2" NC BOLT GR 8 PLTD
13	10-19601	3/4" NC NYLON LOCKNUT PLTD
14	10-19975	3/8" X 1-1/4" NC BOLT GR 5 PLTD
15	10-17402	3/8" NC NYLON LOCKNUT PLTD
16	10-20049	LOWER SCISSOR ATTACH PIN
17	10-18097	1" RIM WASHER PLTD
18	10-18098	1/4" X 1-3/4" COTTER PIN PLTD
19	10-21771	X10 SCISSOR PIN
20	10-18698	7/16" X 1-1/4" NC BOLT GR 8 PLTD
21	10-19598	7/16" NC NYLON LOCKNUT GR 2 PLTD
22	10-19590	5/8" X 1-1/2" NC BOLT GR 8 PLTD
23	10-19600	5/8" NC NYLON LOCKNUT PLTD
24	10-17012	DUST CAP
25	10-17013	HUB ASSEMBLY
26	10-17561	1/2" X 1-1/4" WHEEL BOLT
27	10-17009	HUB, 6-BOLT
28	10-17011	NUT, 1" SLOTTED
29	10-19271	1/8" X 1-1/2" COTTER PIN
30	10-17010	WASHER, HUB
31	10-29160	1/2" X 4-1/2" NC BOLT GR 8 PLTD
32	10-19599	1/2" NC NYLON LOCKNUT GR 2 PLTD
33	10-20297	SPACER BUSHING, SHORT
34	10-17020	1" FLAT WASHER PLTD
35	10-28483	1" X 2-1/2" NC BOLT GR 5 PLTD
36	10-17019	1" NC NYLON LOCKNUT PLTD
37	10-29015	16 X 6 X 6 BOLT WHEEL ASSEMBLY
38	10-17007	LG HUB BEARING
39	10-17006	HUB SEAL
40	10-19265	SMALL HUB BEARING
41	10-19266	BEARING CUP TIMKEN # LM 67010
42	10-17008	LARGE HUB CUP

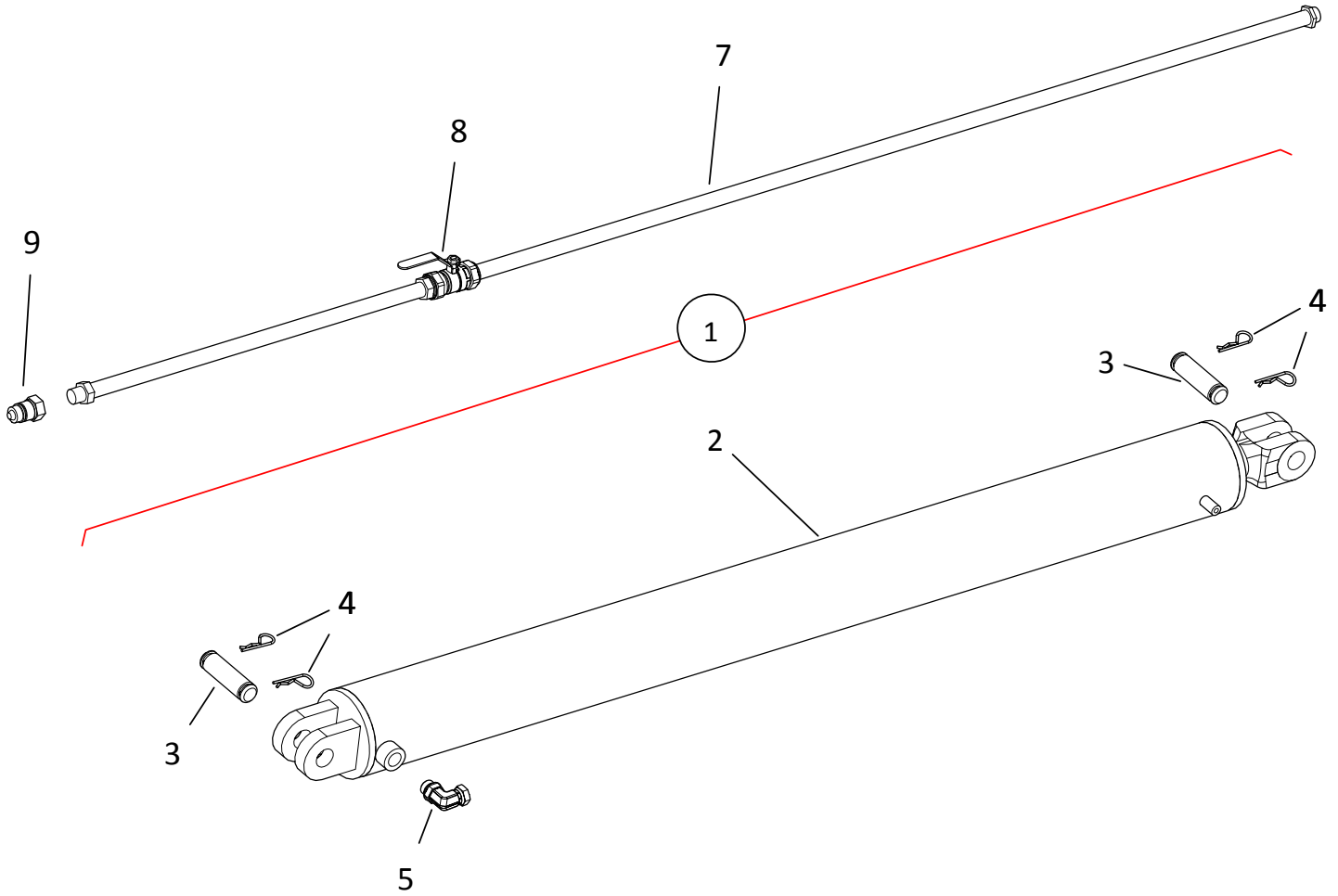
FRAME COMPONENTS, X10-83



FRAME COMPONENTS, X10-83

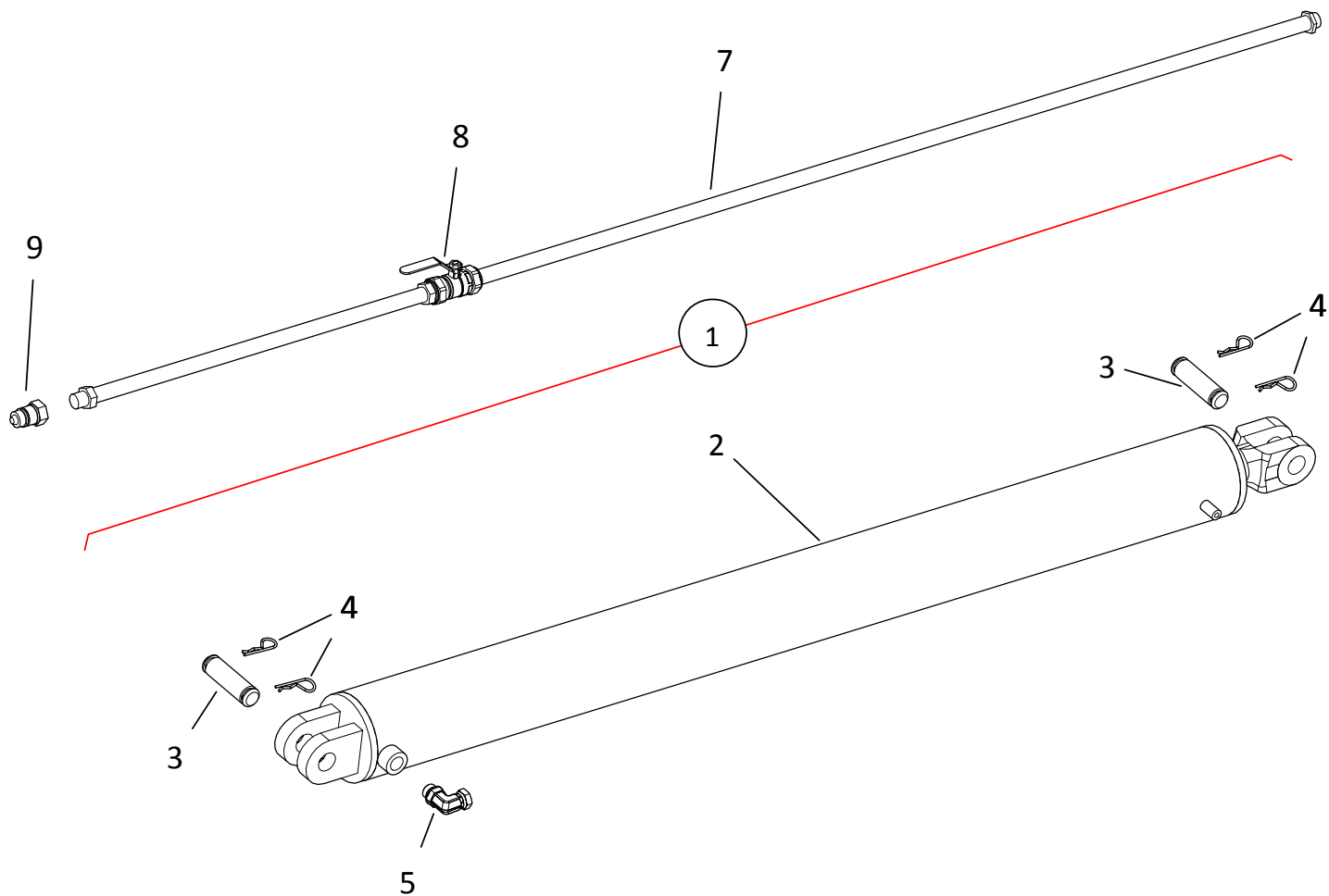
ITEM	PART NO.	DESCRIPTION
1	10-21766RD	X1083 AXLE ASSEMBLY
2	10-21747RD	X10 AXLE
3	10-22146RD	AXLE EXTENSION
4	10-21761	X1083 LOWER ARM BUNDLE
5	10-21753RD	X1083 LOWER REACH ARM
6	10-21764	X1083 LOWER SCISSOR BUNDLE
7	10-21755RD	X1083 LOWER SCISSOR, RH
8	10-21754RD	X1083 LOWER SCISSOR, LH
9	10-21756RD	X1083 UPPER SCISSOR
10	10-21746RD	X10 TRANSPORT STAND
11	10-21757RD	X10 SHORT CROSSMEMBER
12	10-19592	3/4" X 2" NC BOLT GR 8 PLTD
13	10-19601	3/4" NC NYLON LOCKNUT PLTD
14	10-19975	3/8" X 1-1/4" NC BOLT GR 5 PLTD
15	10-17402	3/8" NC NYLON LOCKNUT PLTD
16	10-20049	LOWER SCISSOR ATTACH PIN
17	10-18097	1" RIM WASHER PLTD
18	10-18098	1/4" X 1-3/4" COTTER PIN PLTD
19	10-21771	X10 SCISSOR PIN
20	10-18698	7/16" X 1-1/4" NC BOLT GR 8 PLTD
21	10-19598	7/16" NC NYLON LOCKNUT GR 2 PLTD
22	10-19590	5/8" X 1-1/2" NC BOLT GR 8 PLTD
23	10-19600	5/8" NC NYLON LOCKNUT PLTD
24	10-17012	DUST CAP
25	10-17013	HUB ASSEMBLY
26	10-17561	1/2" X 1-1/4" WHEEL BOLT
27	10-17009	HUB, 6-BOLT
28	10-17011	NUT, 1" SLOTTED
29	10-19271	1/8" X 1-1/2" COTTER PIN
30	10-17010	WASHER, HUB
31	10-19648	SADDLE PIN
32	10-19463	SNAP PIN
33	10-20297	SPACER BUSHING, SHORT
34	10-17020	1" FLAT WASHER PLTD
35	10-28483	1" X 2-1/2" NC BOLT GR 5 PLTD
36	10-17019	1" NC NYLON LOCKNUT PLTD
37	10-29015	16 X 6 X 6 BOLT WHEEL ASSEMBLY
38	10-17007	LG HUB BEARING
39	10-17006	HUB SEAL
40	10-19265	SMALL HUB BEARING
41	10-19266	BEARING CUP TIMKEN # LM 67010
42	10-17008	LARGE HUB CUP

HYDRAULIC LIFT COMPONENTS, X10-63



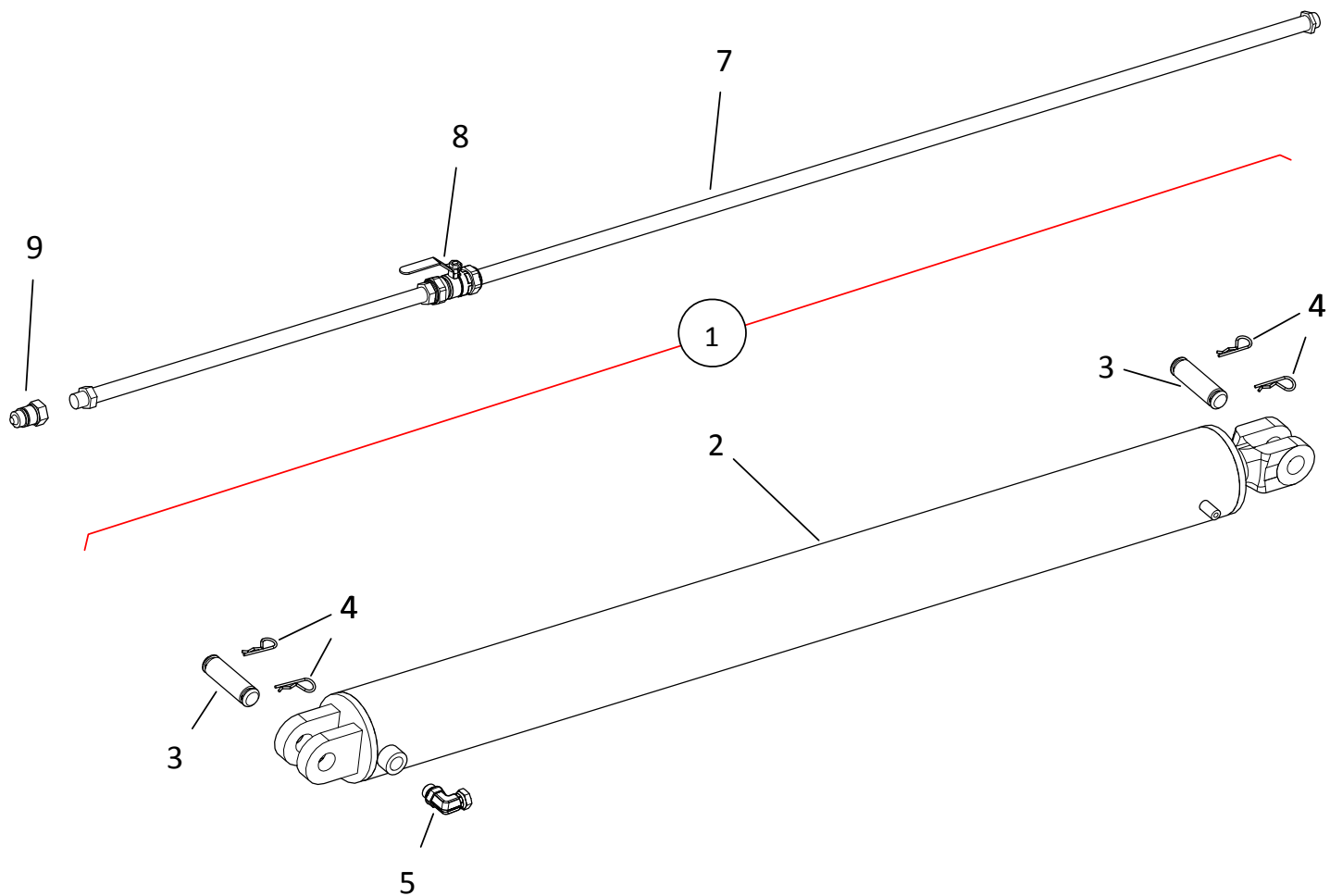
ITEM	PART NO.	DESCRIPTION
1	10-22000	HYD LIFT CYL ASSY
2	9900158	HYDRAULIC CYLINDER
3	4504128	PIN,CYL,DBL GROOVE,1X3-3/8
4	2605004	CLIP,HITCH PIN,EXTERNAL
5	10-28654	STEEL ELBOW 90DEG, 8MORB X 8FNPSM
7	10-21609	HYDRAULIC HOSE ASSEMBLY KIT (INCLUDES SHORT, LONG HOSE AND BALL VALVE)
8	10-18084	BALL VALVE
9	9900047	PIONEER COUPLER

HYDRAULIC LIFT COMPONENTS, X10-73



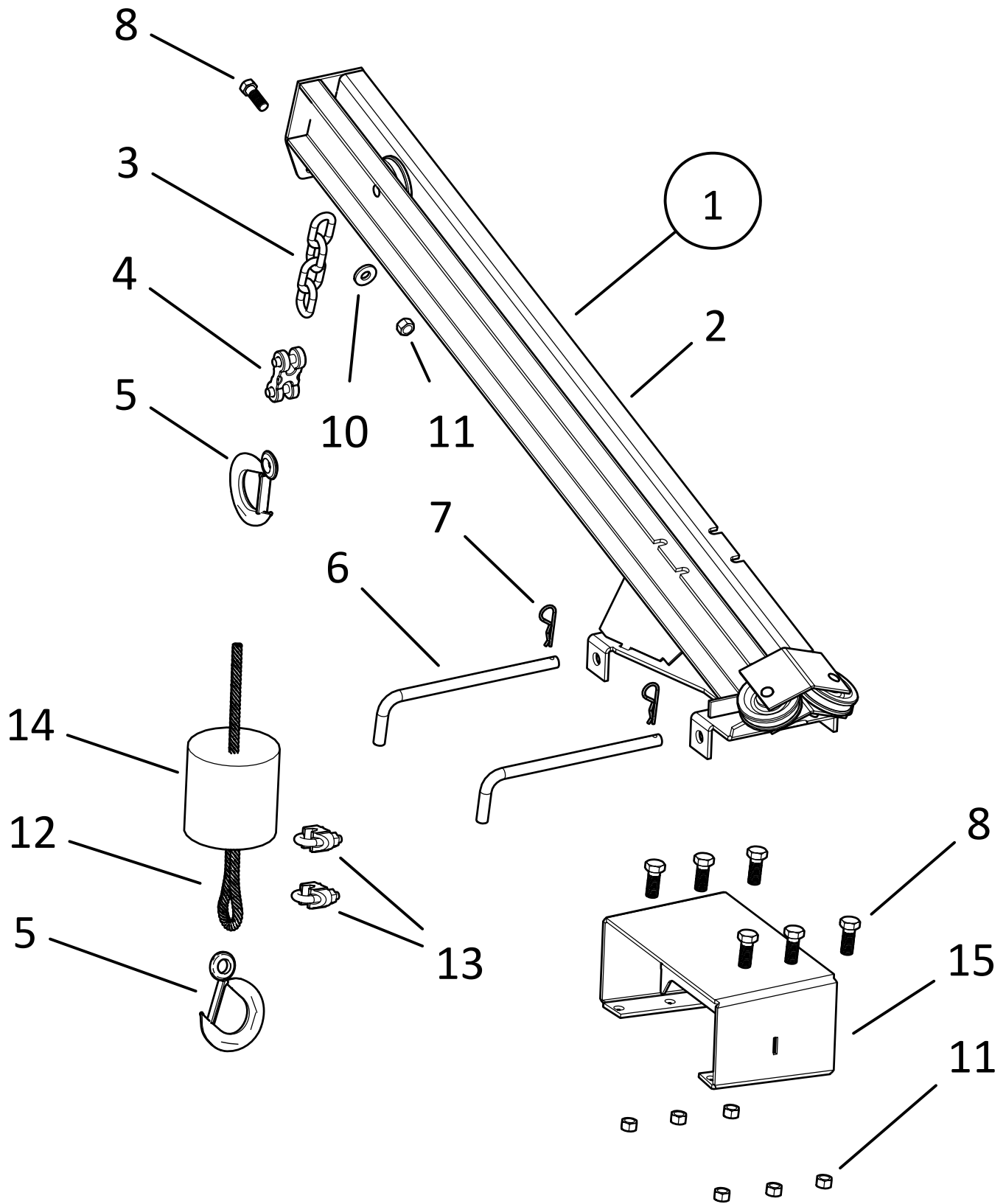
ITEM	PART NO.	DESCRIPTION
1	10-22000	HYD LIFT CYL ASSY
2	9900158	HYDRAULIC CYLINDER
3	4504128	PIN,CYL,DBL GROOVE,1X3-3/8
4	2605004	CLIP,HITCH PIN,EXTERNAL
5	10-28654	STEEL ELBOW 90DEG, 8MORB X 8FNPSM
7	10-21610	HYDRAULIC HOSE ASSEMBLY KIT (INCLUDES SHORT, LONG HOSE AND BALL VALVE)
8	10-18084	BALL VALVE
9	9900047	PIONEER COUPLER

HYDRAULIC LIFT COMPONENTS, X10-83



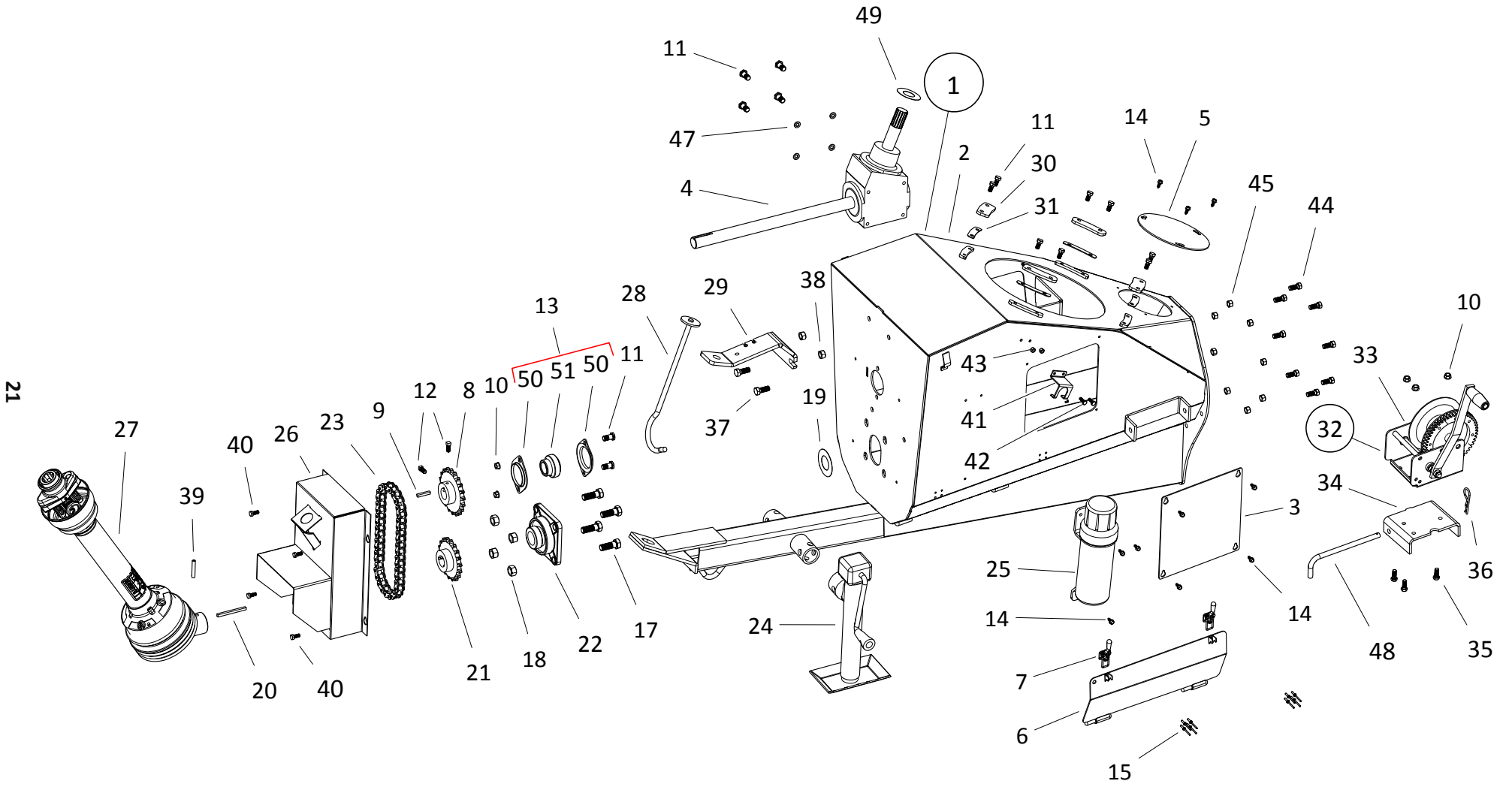
ITEM	PART NO.	DESCRIPTION
1	10-22000	HYD LIFT CYL ASSY
2	9900158	HYDRAULIC CYLINDER
3	4504128	PIN,CYL,DBL GROOVE,1X3-3/8
4	2605004	CLIP,HITCH PIN,EXTERNAL
5	10-28654	STEEL ELBOW 90DEG, 8MORB X 8FNPSM
7	10-21611	HYDRAULIC HOSE ASSEMBLY KIT (INCLUDES SHORT, LONG HOSE AND BALL VALVE)
8	10-18084	BALL VALVE
9	9900047	PIONEER COUPLER

LIFT ARM COMPONENTS, X10



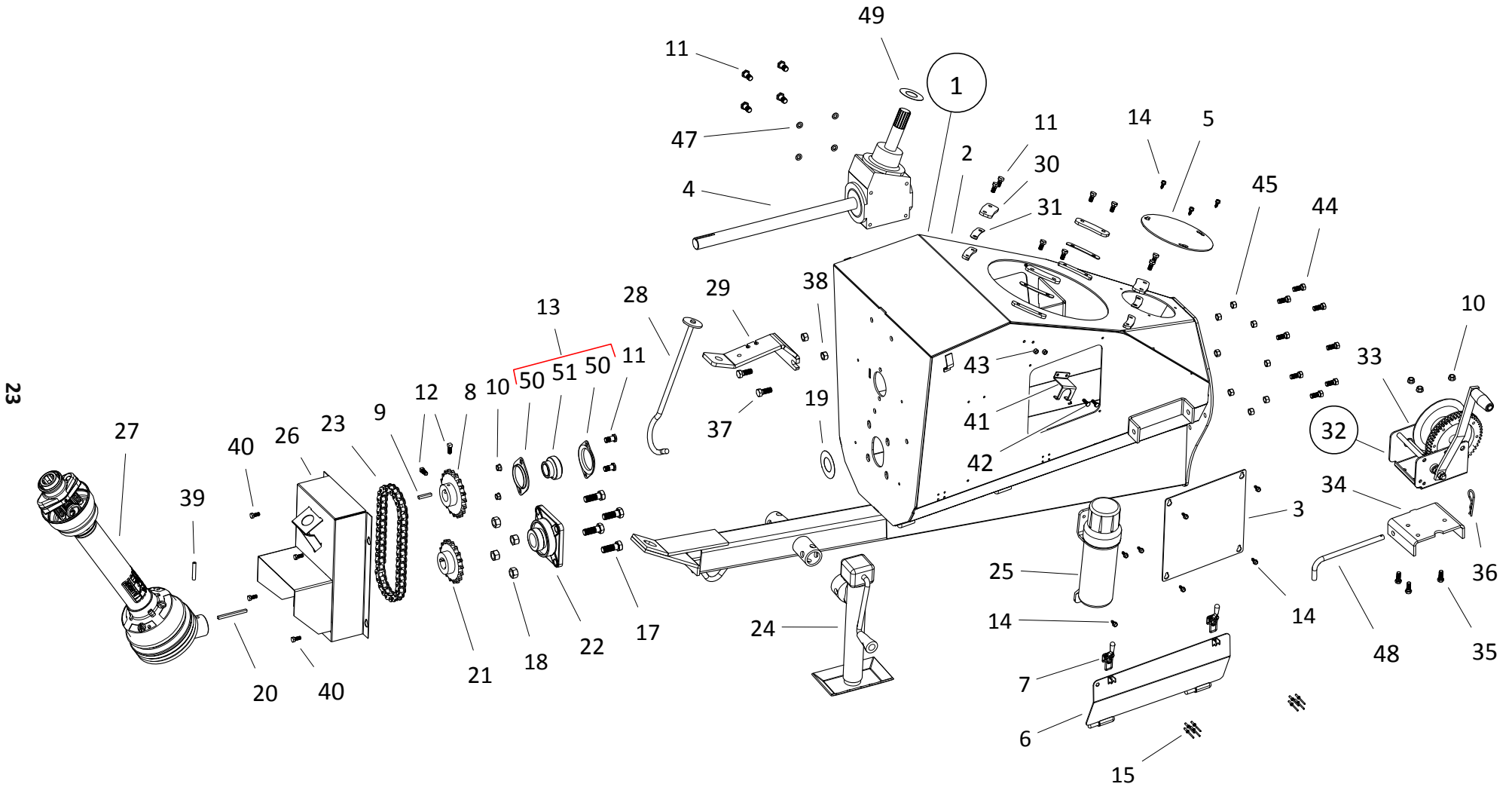
LIFT ARM COMPONENTS, X10

ITEM	PART NO.	DESCRIPTION
1	10-21972	MKX/X100 HOPPER LIFT ARM ASSY
2	10-21629	MKX/X10 HOPPER LIFT ARM
3	10-21818	MKX/X10 LIFTARM TRANSPORT HOOK ASSY
4	10-20083	5/16" MID LINK
5	10-28997	1/2T EYE HOIST HOOK W/LATCH
6	10-18074	MOUNT PIN
7	10-19463	210 HITCH PIN
8	10-18698	7/16" X 1-1/4" NC BOLT GR 8 PLTD
10	10-17182	1"OD X 29/64"ID X 10 GA WASHER PLTD
11	10-19598	7/16" NC NYLON LOCKNUT GR 2 PLTD
12	10-17376	MK LP HOPPER CABLE
13	10-19147	1/4" CABLE CLAMP
14	10-20793	HOPPER WEIGHT
15	10-21800	MKX/X100-83 LIFT ARM EXTENSION (83 ONLY)



BOOT, X10

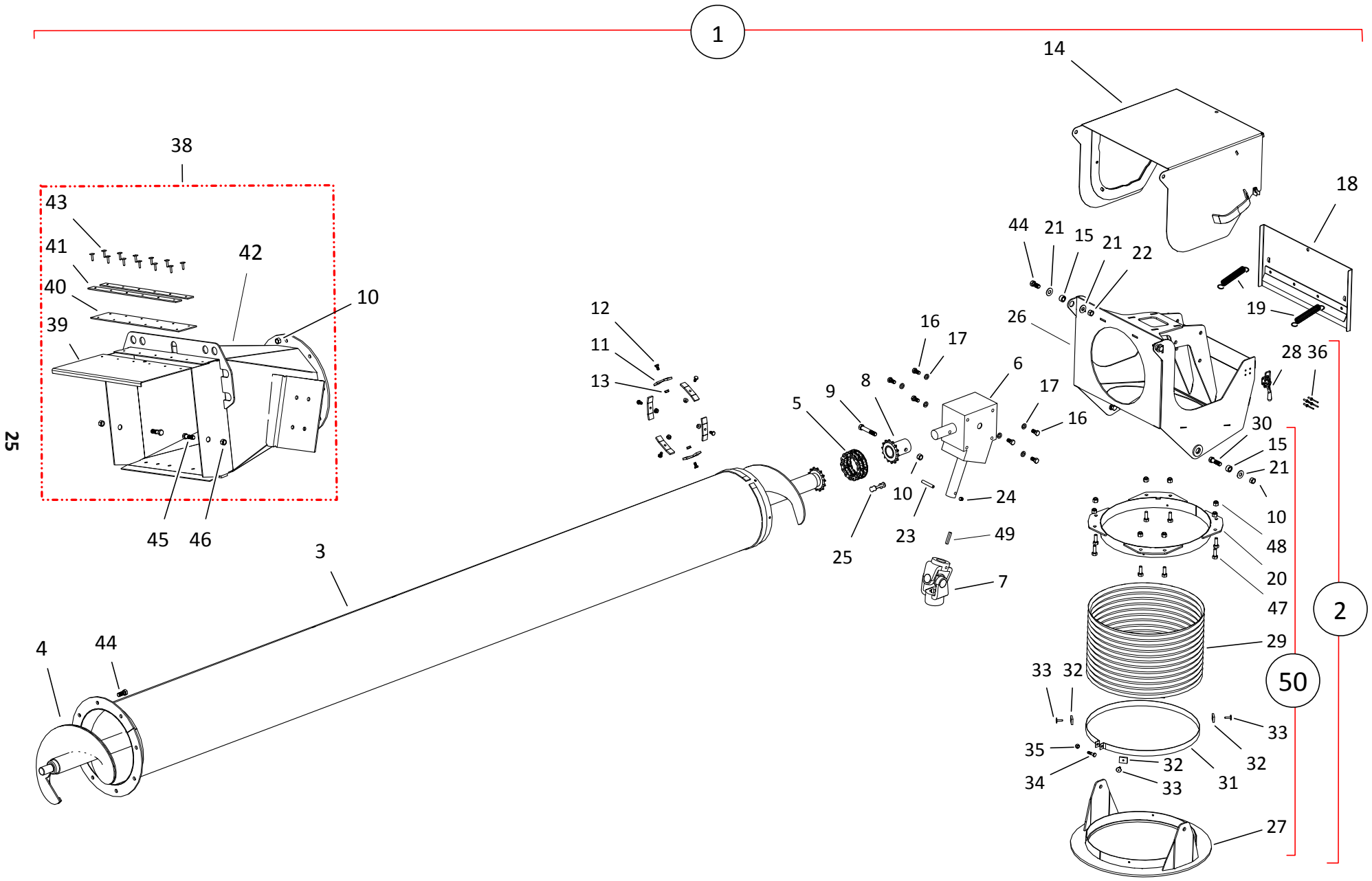
ITEM	PART NO.	DESCRIPTION
1	10-21632	MKX/X10 GEAR BOOT ASSEMBLY
2	10-21633	MKX/X10 GEAR BOOT ONLY
3	10-20061	BOOT SERVICE DOOR
4	10-21549	LOWER GEARBOX ONLY, COMPLETE
5	10-17374	ACCESS COVER
6	10-21634	MKX/X10 CLEANOUT DOOR
7	10-20052	LATCH AND CATCH
8	10-18713	60B20 X 1-1/4 SPROCKET
9	10-19606	1/4" X 1-1/2" SQAURE KEY
10	10-19596	3/8" NC SERRATED FLANGE NUT PLTD
11	10-19540	3/8" X 3/4" NC BOLT GR 5 PLTD
12	10-29118	SETSCREW, 3/8" X 3/4" GR 8 SQ END
13	10-19322	1-1/4 2 HOLE FLANGE BEARING
14	10-19274	SELF TAPPING SCREW
15	10-23769	5/32 X 39/64 RIVET, LOW PROFILE
17	10-18544	5/8" X 1-3/4" NC BOLT GR 5 PLTD
18	10-19600	5/8" NC NYLON LOCKNUT PLTD
19	10-21707	RIM WASHER, 1-1/2"
20	10-21758	1/4" X 3-3/8" SQUARE KEY
21	10-21567	60B18 X 1-1/4 SPROCKET
22	10-17292	1-1/2" PILLOW BLOCK BEARING
23	10-18726	CHAIN
24	10-18080	JACK
25	10-29755	WATERPROOF PLASTIC MANUAL HOLDER
26	10-21635	MKX/X10 SPROCKET COVER
27	10-18484	COMPLETE PTO SHAFT
27	10-27481	COMPLETE PTO SHAFT
28	10-18754	TRANSPORT SADDLE
29	10-20042	PTO BRACKET
30	10-29166	SPOUT HEAD RETAINER
31	10-29152	LRG BOOT RETAINER SPACER
32	200426	WINCH MOUNT ASSEMBLY (2019)
33	10-19152	WINCH & HANDLE
34	200425	WINCH BRACKET (2019)
35	10-18955	3/8" X 1" NC BOLT GR 5 PLTD
36	10-19463	SNAP PIN
37	10-19588	1/2" X 1-1/4" NC BOLT GR 5 PLTD
38	10-19599	1/2" NC NYLON LOCKNUT GR 2 PLTD
39	10-18079	5/16" X 2" ROLL PIN
40	10-19538	CAP SCREW, 5/16" - 18 x 3/4"
41	10-21932	SHUT OFF VALVE HOLDER
42	9900800	1/4" X 3/4" NC BOLT GR 5 PLTD
43	10-28449	1/4" NC NYLON LOCKNUT PLTD
44	10-19542	7/16" X 1" NC BOLT GR 5 PLTD
45	10-19598	7/16" NC NYLON LOCKNUT GR 2 PLTD
47	10-19604	3/8" LOCK WASHER PLTD
48	10-18074	MOUNT PIN
49	10-17370	1-1/4" WIDE RIM WASHER
50	10-18695	1-1/4" FLANGE, 2-HOLE
51	10-18853	1-1/4 FLANGE BRG ONLY



BOOT, X10

ITEM	PART NO.	DESCRIPTION
52	10-19433	#60 CONNECTOR LINK

SWING TUBE, X10



1

2

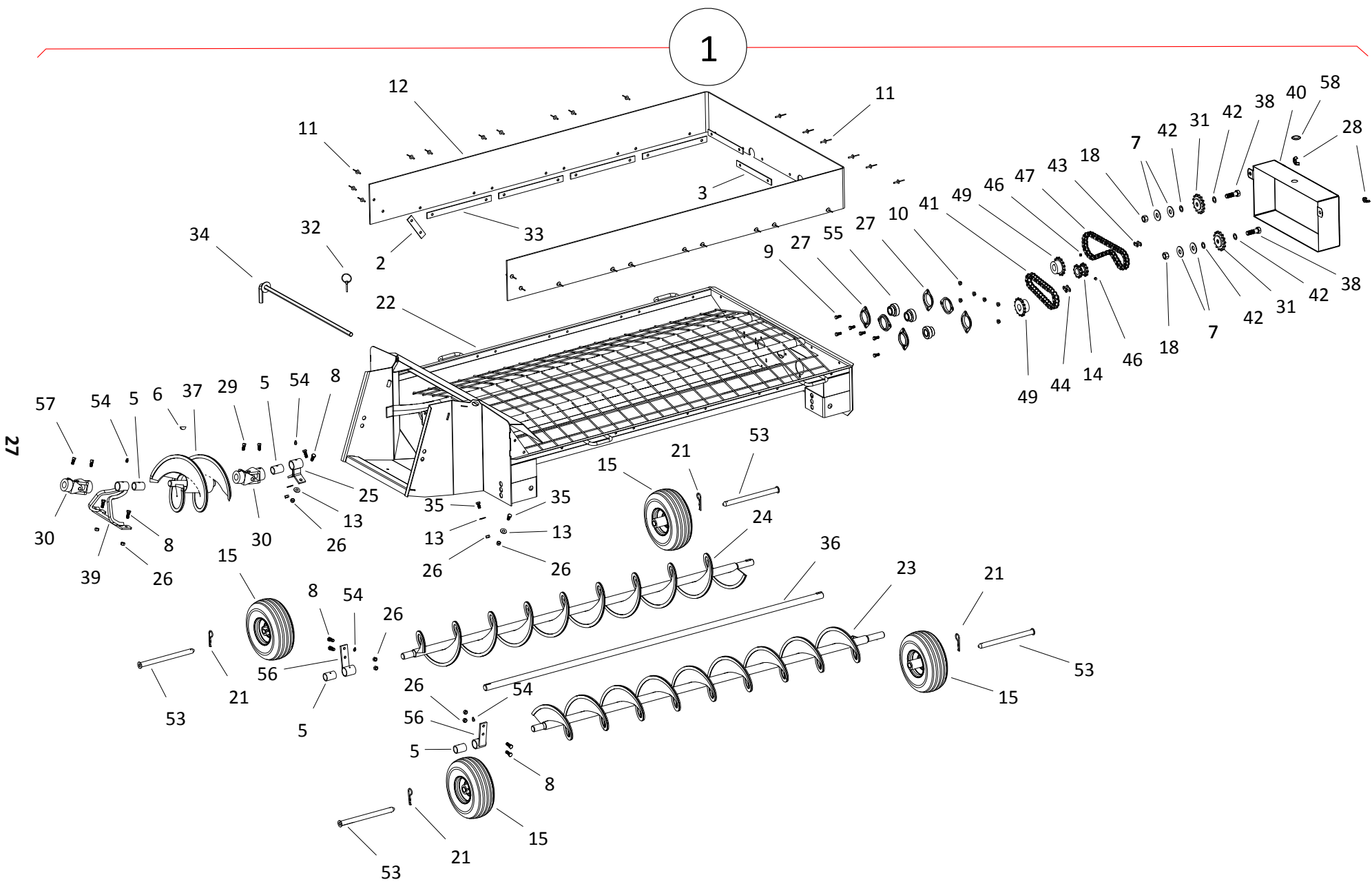
50

25

SWING TUBE, X10

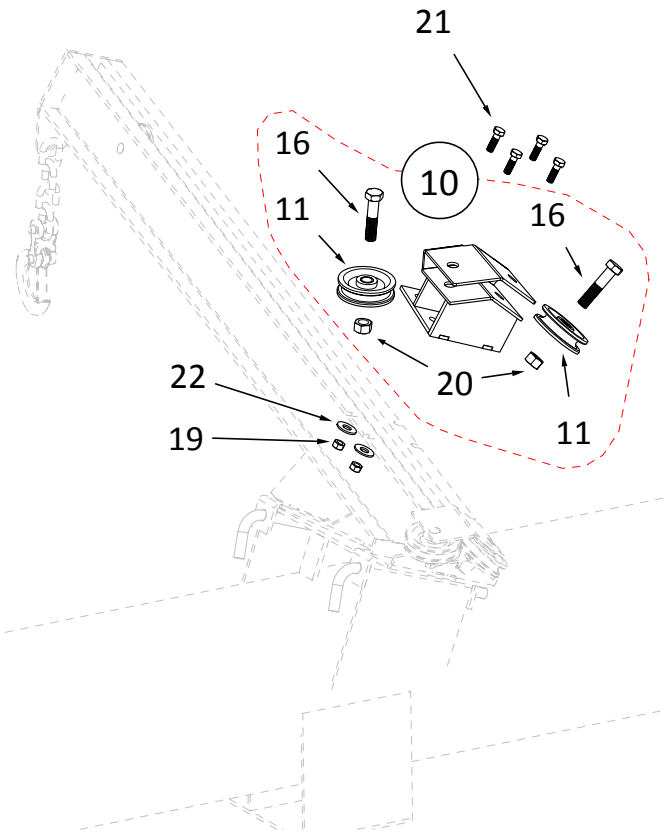
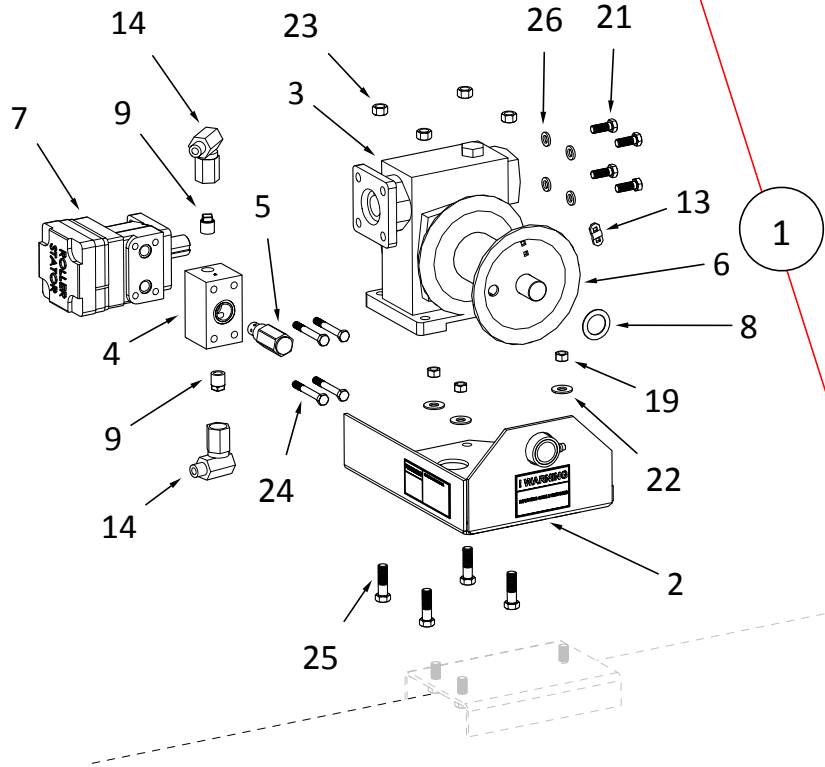
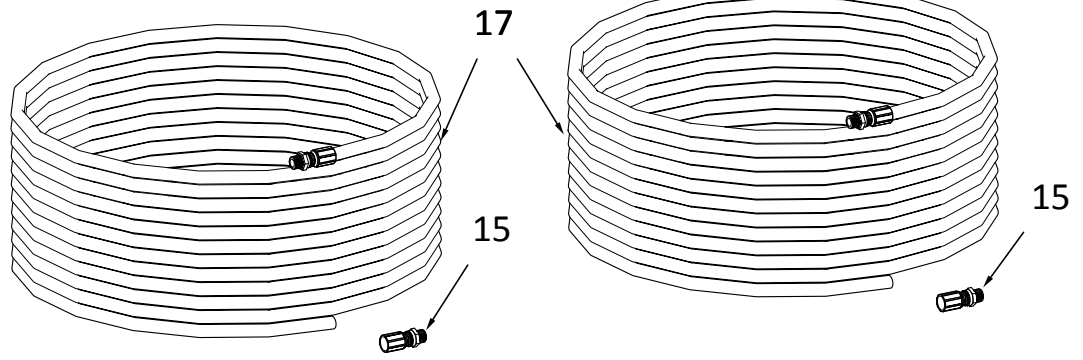
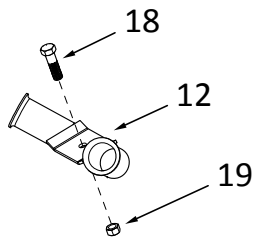
ITEM	PART NO.	DESCRIPTION
1	10-21644	MKX/X10 GEAR SWING TUBE BUNDLE
2	10-21649	MKX/X10 SPOUT HEAD ASSEMBLY
3	10-18866	SWING TUBE ONLY
4	10-21711	MKX/X10 SWING TUBE FLIGHT
5	10-21571	#50-13P DOUBLE ROLLER CHAIN
6	10-18849	UPPER GEARBOX, COMPLETE
7	10-18727	SPLINED U-JOINT (BLACK)
7A	10-17029	CROSS KIT
8	10-21568	50B14 CUSTOM SPROCKET C/W PIN HOLE
9	10-17747	7/16" X 2-1/2" NC BOLT GR 8 PLTD
10	10-19598	7/16" NC NYLON LOCKNUT GR 2 PLTD
11	10-18877	SPOUT ATTACH PLATE
12	10-19537	1/4" X 1/2" HEX WASHER HEAD GR 5 PLTD
13	10-19594	1/4" NC SERRATED FLANGE NUT PLTD
14	10-21642	MKX/X10 SPOUTHEAD LID
15	10-27889	LEVELLER BUSHING
16	10-19540	3/8" X 3/4" NC BOLT GR 5 PLTD
17	10-19604	3/8" LOCK WASHER PLTD
18	10-21643	MKX/X10 SPOUTHEAD DOOR
19	10-18728	EXTENSION SPRING
20	200389RD	SPOUT HEAD HOSE RING WELDT MKX/X100
21	10-17182	1"OD X 29/64"ID X 10 GA WASHER PLTD
22	10-17593	7/16" NC NYLON LOCKNUT GR 5 YLW PLTD
23	10-18079	5/16" X 2" ROLL PIN
24	10-19225	3/8" X 3/8" SET SCREW
25	10-20048	#50 DOUBLE CONNECTOR LINK
26	200390RD	MKX/X100 SPOUT HEAD WELD'T (2019)
27	10-21640	MKX/X10 SPOUTHEAD BASE
28	10-20052	LATCH AND CATCH
29	10-21604	14" ID X 10" LONG CLEAR FLEX HOSE
30	10-28744	7/16" X 1-1/2" NC BOLT GR 5 PLTD
31	10-21770	MKX/X10 SPOUT HEAD HOSE STRAP
32	10-29252	DUCTING SECURE TAB
33	10-18185	LARGE FLANGE RIVET
34	10-19988	1/4" X 1" NC BOLT GR 2 PLTD
35	10-28449	1/4" NC NYLON LOCKNUT PLTD
36	10-23769	5/32 X 39/64 RIVET, LOW PROFILE
38	200408RD	ASSY, MKX/X 10 LP TRANSITION
39	10-21100	LP TRANSITION ACCESS DOOR
40	10-21101	TRANSITION BELT
41	10-21102	TRANSITION BELT STRAP
42	200409RD	WELD'T, MKX/X10 LP TRANSITION
43	10-20399	3/16" X 5/8" GRIP RIVET
44	10-18698	7/16" X 1-1/4" NC BOLT GR 8 PLTD
45	10-19590	5/8" X 1-1/2" NC BOLT GR 8 PLTD
46	10-19600	5/8" NC NYLON LOCKNUT PLTD
47	10-18955	3/8" X 1" NC BOLT GR 5 PLTD
48	10-17402	3/8" NC NYLON LOCKNUT PLTD
49	10-19606	1/4" X 1-1/2" SQUARE KEY
50	05-A448	MKX/X10 SPOUT HEAD-HOSE RING RPLCM

LOW PROFILE HOPPER, X10



LOW PROFILE HOPPER, X10

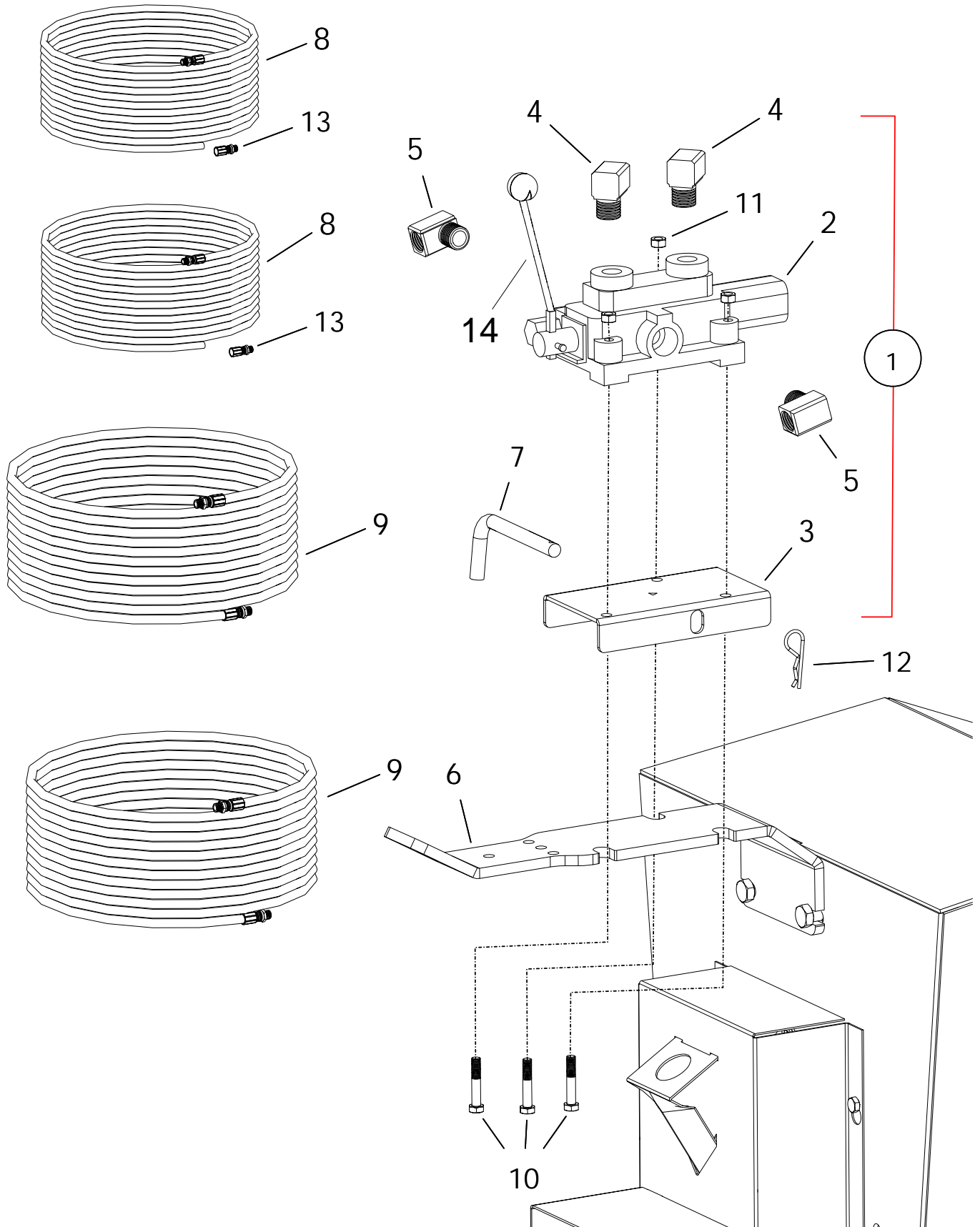
ITEM	PART NO.	DESCRIPTION
1	10-21617	MKX/X10 LP HOPPER ASSEMBLY
2	10-22049	4-3/4 BELTING ATTACH STRAP
3	10-22050	10 BELTING ATTACH STRAP
5	10-19149	1" BUSHING
6	10-19224	1/4" X 1" WOODRUFF KEY
7	10-19966	5/8" FLAT WASHER PLTD
8	10-18955	3/8" X 1" NC BOLT GR 5 PLTD
9	10-19538	CAP SCREW, 5/16" - 18 x 3/4"
10	10-19595	5/16" NC SERRATED FLANGE NUT PLTD
11	10-20399	3/16" X 5/8" GRIP RIVET
12	10-29896	LP RUBBER BELTING
13	10-17392	3/8" FLAT WASHER PLTD
14	10-21566	DS50A10 X 1 SPROCKET
15	10-17522	LOW PRO HOPPER WHEEL
18	10-19600	5/8" NC NYLON LOCKNUT PLTD
21	10-19463	SNAP PIN
22	10-29978	LP HOPPER ONLY
23	10-17345	LP HOPPER FLIGHT SECTION
24	10-29963	LP HOPPER FLIGHT, LH
25	10-17352	BUSHING SUPPORT, LP HOPPER SHAFT
26	10-17402	3/8" NC NYLON LOCKNUT PLTD
27	10-18694	FLANGE PLATED FINISH
28	10-20082	3/8" WING NUT PLTD
29	10-29117	SETSCREW, 3/8" X 5/8" GR 8 SQ END
30	10-29175	U-JOINT (BLACK)
30A	10-17029	CROSS KIT
31	10-29894	50C15 X 5/8 IDLER SPROCKET
32	10-29998	LYNCH PIN 3/16 X 1-1/4 Y.ZINC PLTD
33	10-22051	12-1/2 BELTING ATTACH STRAP
34	10-20461	LP DOOR PIN, BENT
35	10-19540	3/8" X 3/4" NC BOLT GR 5 PLTD
36	10-17346	LP DRIVESHAFT
37	10-17356	LP NECK FLIGHT SECTION
38	10-27484	5/8" X 2-1/4" NC BOLT GR 8 PLTD
39	200401	ASSY, 10" NECK FLIGHT SUPPORT
40	10-29981	LP CHAIN COVER
41	10-21990	#50 - 1R X 29P ROLLER CHAIN
42	10-18096	5/8" RIM WASHER PLTD
43	10-20430	#50 (HEAVY) CONNECTOR LINK
44	10-19134	#50 CONNECTOR LINK
46	10-21872	SETSCREW, 5/16" X 5/16" GR 5
47	10-21991	#50 - 1R X 47P ROLLER CHAIN (HEAVY)
49	10-19131	50B14 X 1" SPROCKET
53	10-17394	LP FIXED WHEEL AXLE
54	10-19222	GREASE ZERK
55	10-18817	BEARING
56	10-17583	BUSHING SUPPORT
57	10-19225	3/8" X 3/8" SET SCREW
58	10-17584	PLUG



HYDRAULIC WINCH [A296]

ITEM	PART NO.	DESCRIPTION
1	10-17634	HYDRAULIC WINCH ASSEMBLY, RED
2	10-17628	HYD WINCH FRAME ASSEMBLY, RED
3	10-17625	60 WPUDS 20:1
4	10-28221	MANIFOLD WINCH RELIEF BLOCK
5	10-28222	VALVE WINCH NON-ADJ REFLIEF MANIFOLD
6	10-17629	HYDRAULIC WINCH DRUM, RED
7	10-17626	MOTOR, HYD, 3.2, MANIFOLD KEYED
8	10-18097	1" RIM WASHER PLTD
9	0308013	3/8" NPT PLASTIC PLUG
10	10-23134	LIFT ARM PULLEY GUIDE ASSEMBLY (2017)
11	10-21494	LIFT ARM PULLEY ASSEMBLY
12	10-17467	MK91 DOUBLE HOSE HOLDER
13	10-18496	ROPE KEEPER KIT
14	1100625	STEEL ELBOW 90, 1/2FNPSMX3/8MNPT
15	9900047	PIONEER COUPLER
16	9900560	1/2" X 2-1/4" NC BOLT GR 5 PLTD
17	10-22611	3/8" X 215" HYDRAULIC HOSE
18	10-29246	3/8" X 1" GR8 SHEAR BOLT
19	10-17402	3/8" NC NYLON LOCKNUT PLTD
20	10-17750	1/2" NC NYLON LOCKNUT GR 5 YLW PLTD
21	10-18955	3/8" X 1" NC BOLT GR 5 PLTD
22	10-17392	3/8" FLAT WASHER PLTD
23	10-19598	7/16" NC NYLON LOCKNUT GR 2 PLTD
24	10-17631	5/16" X 2-1/2" NC BOLT GR 2 PLTD
25	10-28744	7/16" X 1-1/2" NC BOLT GR 5 PLTD
26	10-19604	3/8" LOCK WASHER PLTD

HYDRAULIC VALVE [A336]



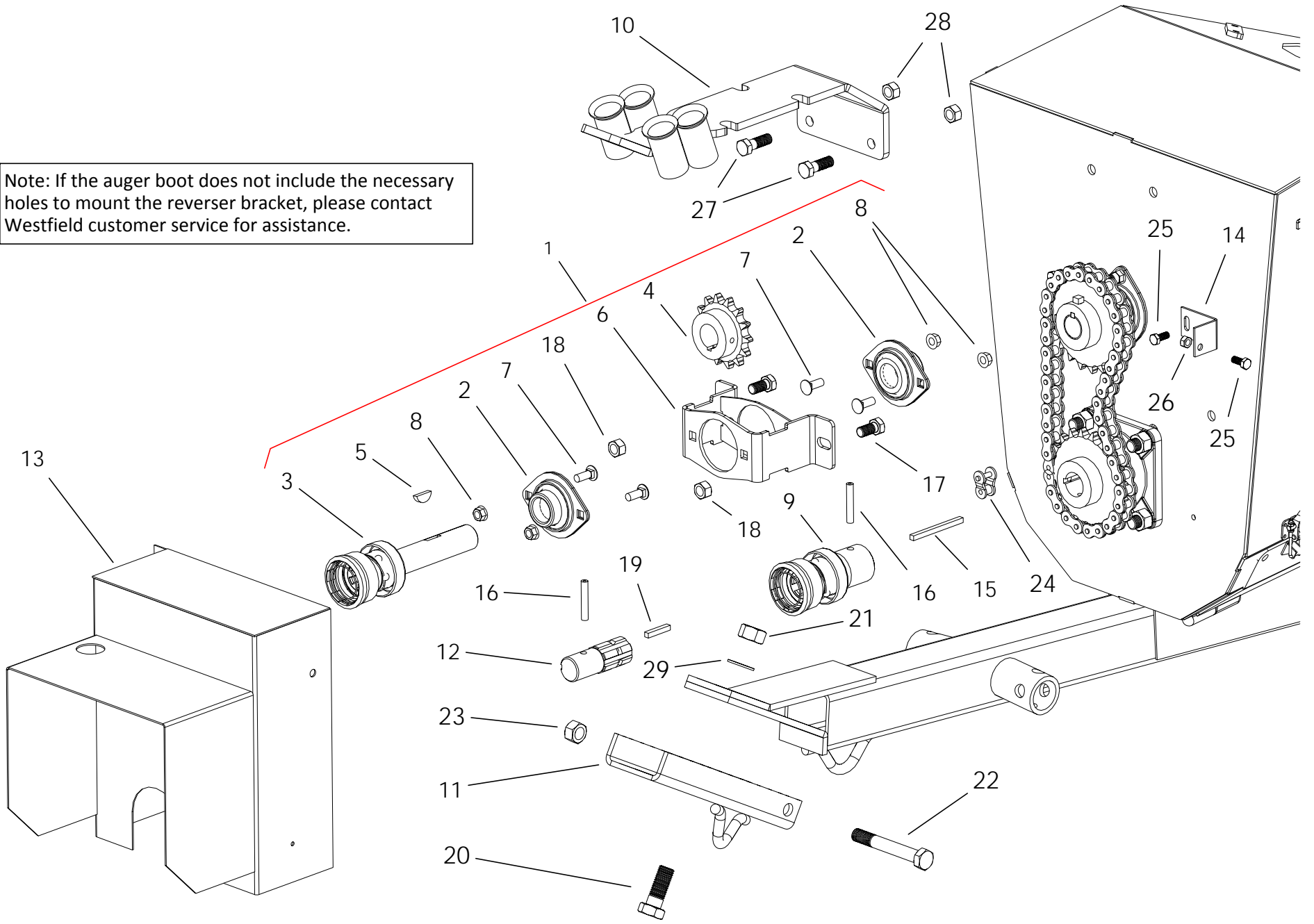
HYDRAULIC VALVE [A336]

ITEM	PART NO.	DESCRIPTION
1	10-20132	HYDRAULIC VALVE ASSEMBLY
2	10-17675	HYDRAULIC VALVE
3	10-20044	VALVE MOUNT PLATE
4	10-28478	STEEL ELBOW
5	10-29087	STEEL ELBOW 90, 12MNPT X 8FNPSM
6	10-20043	PTO/VALVE BRACKET, 10"/13"
7	10-19648	SADDLE PIN
8	10-21860	3/8" X 77" HYDRAULIC HOSE
9	10-21774	3/8" X 132" HYDRAULIC HOSE
10	10-17712	5/16" X 1-3/4" NC BOLT GR 5 PLTD
11	10-19980	5/16" NC NYLON LOCKNUT PLTD
12	10-17383	GRIP CLIP
13	9900047	PIONEER COUPLER
14	10-27590	POWERSWING VALVE HANDLE KIT

RIGHT ANGLE DRIVE [A293]

ITEM	PART NO.	DESCRIPTION
1	10-29137	RAD LEG
2	10-21798	RAD GEARBOX ASSEMBLY
3	10-21799	RAD GEARBOX MOUNT
4	10-17597	ADJUST PLATE, RAD
5	10-19600	5/8" NC NYLON LOCKNUT PLTD
6	10-19585	GEARBOX
7	10-19231	1/2" X 1" NC BOLT GR 5 PLTD
8	10-19605	1/2" LOCK WASHER PLTD
9	10-17637	FLEX COUPLER
10	10-29315	RAD JACK MOUNT
11	10-17610	WHITE END PTO SHAFT (60")
12	10-19804	SD SADDLE BRACKET
13	10-19801	HALF CLAMP
14	10-17232	PTO SHIELD ASSEMBLY
15	10-17598	RAD ATTACH PLATE
16	10-19648	SADDLE PIN
17	10-19463	HITCH PIN
18	10-19982	7/16" X 4" NC BOLT GR 5 PLTD
19	10-19598	7/16" NC NYLON LOCKNUT GR 2 PLTD
20	10-29316	7/16" X 4-1/2" NC BOLT GR 5 PLTD
21	10-19606	1/4" X 1-1/2" SQUARE KEY
22	10-19542	7/16" X 1" NC BOLT GR 5 PLTD
23	10-19540	3/8" X 3/4" NC BOLT GR 5 PLTD
24	10-19596	3/8" NC SERRATED FLANGE NUT PLTD
25	10-19538	CAP SCREW, 5/16" - 18 x 3/4"
26	10-19595	5/16" FLANGE NUT
27	10-18878	4-3/4" STRAP
28	10-17229	RUBBER BELT
29	10-17635	3/8" X 2-3/4" NC BOLT GR 8 PLTD
30	10-17402	3/8" NC NYLON LOCKNUT PLTD
31	10-19864	5/8" NC HEX NUT PLTD

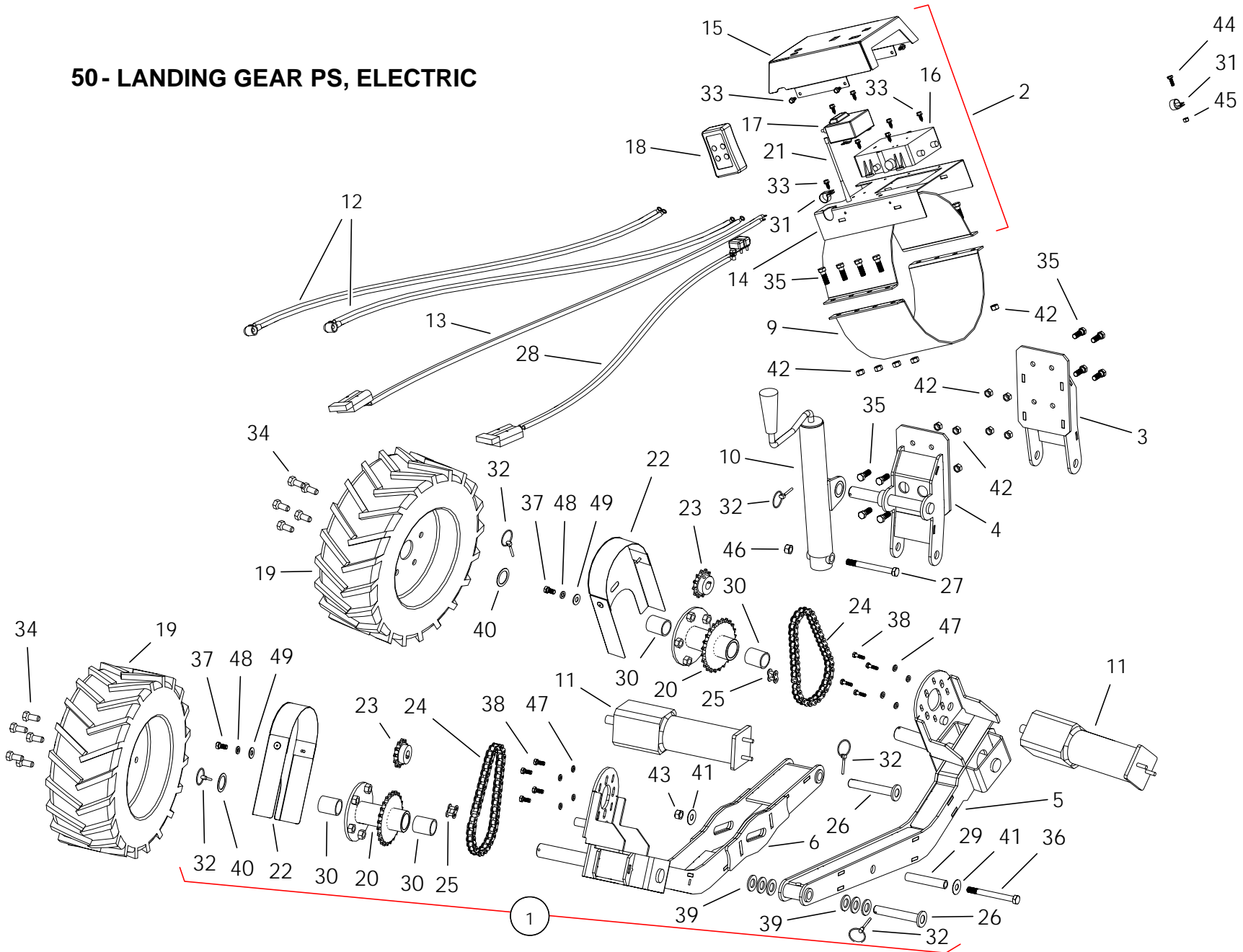
Note: If the auger boot does not include the necessary holes to mount the reverser bracket, please contact Westfield customer service for assistance.



REVERSING KIT [A292]

ITEM	PART NO.	DESCRIPTION
1	10-21786	REVERSER BRACKET ASSEMBLY
2	10-19322	1-1/4 2-HOLE FLANGE BEARING
3	10-17054	REVERSER COUPLER
4	10-17067	60B14 X 1-1/4 SPROCKET
5	10-19224	1/4" X 1" WOODRUFF KEY
6	10-21785	MKX/X10 REVERSER BRACKET
7	10-27986	3/8" X 1" NC CARRIAGE BOLT GR 5 PLTD
8	10-19596	3/8" NC SERRATED FLANGE NUT PLTD
9	10-17051	REV LOWER COUPLER
10	10-20705	VALVE BRACKET
11	10-17055	REV HITCH EXTENSION
12	10-18176	SPLINED SHAFT
13	10-21784	REVERSER SHIELD
14	10-21989	MKX/X10 REVERSER SHIELD BRACKET
15	10-21758	1/4" X 3-3/8" SQUARE KEY
16	10-18079	5/16" X 2" ROLL PIN
17	10-19231	1/2" X 1" NC BOLT GR 5 PLTD
18	10-19599	1/2" NC NYLON LOCKNUT GR 2 PLTD
19	10-19606	1/4" X 1-1/2" SQUARE KEY
20	10-19592	3/4" X 2" NC BOLT GR 8 PLTD
21	10-19601	3/4" NC NYLON LOCKNUT PLTD
22	10-18545	5/8" X 4-1/2" NC BOLT GR 8 PLTD
23	10-19600	5/8" NC NYLON LOCKNUT PLTD
24	10-29526	#60 OFFSET LINK
25	10-19538	CAP SCREW, 5/16" - 18 x 3/4"
26	10-19980	5/16" NC NYLON LOCKNUT PLTD
27	10-19589	1/2" X 1-1/2" NC BOLT GR8 PLTD
28	10-17750	1/2" NC NYLON LOCKNUT PLTD
29	10-19979	FLAT WASHER, 3/4"

50 - LANDING GEAR PS, ELECTRIC



ELECTRIC LANDING GEAR POWER SWING-10" (A363)

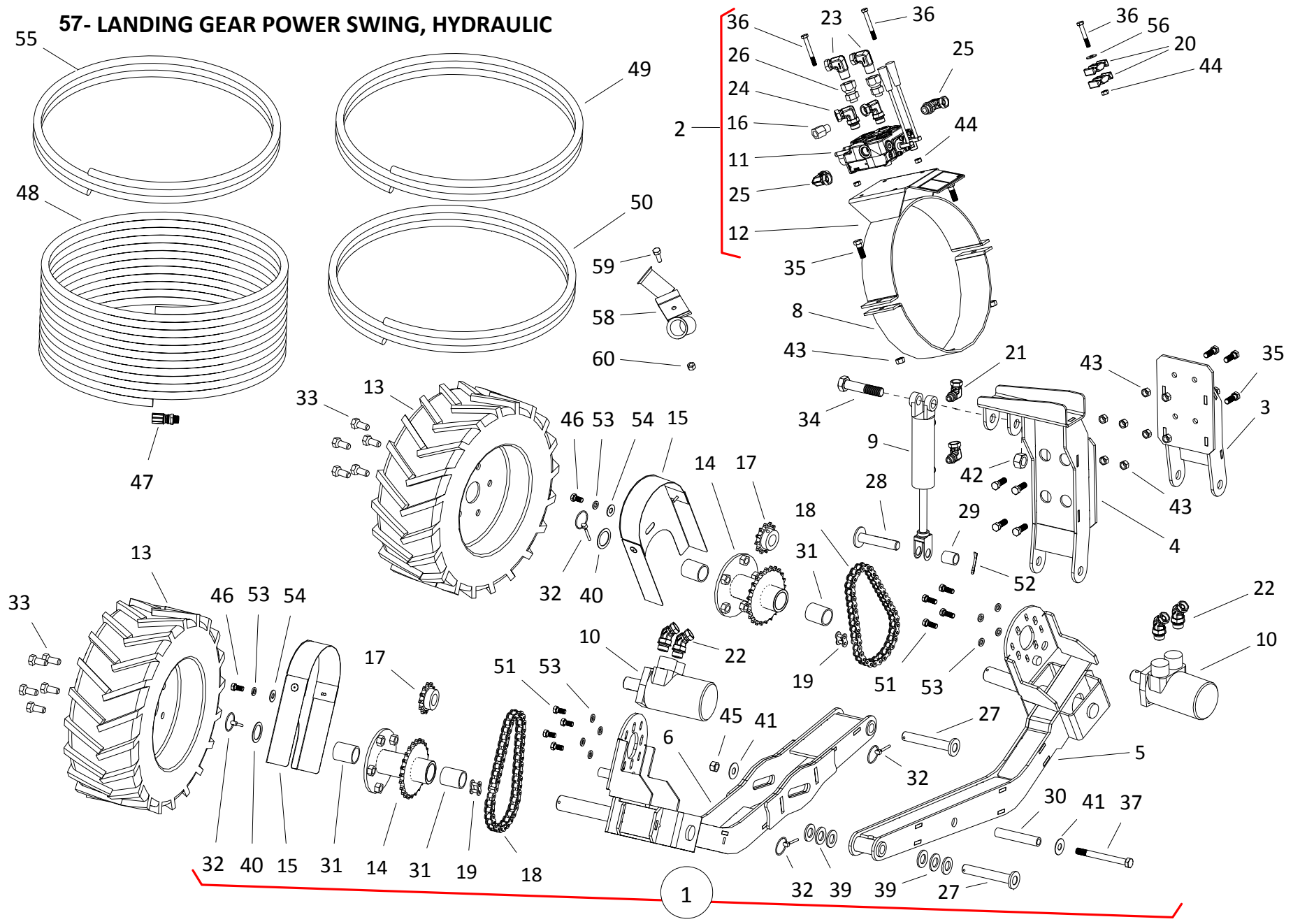
ELECTRIC LANDING GEAR POWER SWING-10" (A363)

ITEM	PART NO.	DESCRIPTION
1	10-22563	LANDING GEAR PS ELEC ASSEMBLY
2	10-20289	ASSY, 10" P/S TOP CLAMP RECEIVER
3	10-22554	ATTACH, RH, MKX/X130 LGPS
4	10-22553	MANUAL JACK ATTACH, MKX/X130 LGPS
5	10-22562	SHORT X-ARM, RH, LGPS
6	10-22564	SHORT X-ARM, LH, LGPS
9	10-27235	10" HITCH RING
10	10-22555	JACK, MANUAL, LANDING GEAR PS
11	10-20138	MOTOR, 12V DC
12	10-20168	WIRE HARNESS - CONTACTOR TO MOTOR
13	10-22582	WIRE ASSY CONTACTOR/QUICK CONNECT
14	10-20154	10" TOP CLAMP W.A. RC - POWERSWING
15	10-20178	COVER, PS RECEIVER ARMOR - POWERSWING
16	10-20135	RECEIVER
17	10-20136	CONTACTOR
18	10-20134	TRANSMITTER
19	10-20137	POWERSWING 5 BOLT WHEEL ASSEMBLY
20	10-20166	ASSY HUB, W/ BUSHING
21	10-20524	ANTENNA
22	10-22164	CHAIN GUARD, LANDING GEAR
23	10-20210	50B12 X 3/4 SPROCKET
24	10-19133	#50-1R X 37P ROLLER CHAIN
25	10-19134	#50 CONNECTOR LINK
26	10-22168	PIN, LANDING GEAR
27	10-27815	BOLT, 5/8" X 4" NC PLTD
28	10-20169	WIRE ASSY BATTERY TO QUICK CONNECT
29	10-22187	SLIDER BUSHING, LANDING GEAR
30	10-19776	BUSHING, 1-1/4"
31	10-20268	5/8 X 1/2 INSULATED CLAMP
32	10-29998	LYNCH PIN 3/16 X 1-1/4 Y.ZINC PLTD
33	10-19274	#14 X 5/8" SMS AB GR 5 PLTD
34	10-20565	1/2" X 1" WHEEL BOLT (BLACK)
35	10-18698	7/16" X 1-1/4" NC BOLT GR 8 PLTD
36	9900564	1/2" X 5" UNC BOLT GR5 PLTD
37	10-19540	3/8" X 3/4" NC BOLT GR5 PLTD
38	10-19988	1/4" X 1" NC BOLT GR2 PLTD
39	10-19979	3/4" FLAT WASHER PLTD
40	10-17651	1-1/4" RIM WASHER
41	10-17401	1/2" FLAT WASHER PLTD
42	10-17593	7/16" NC NYLON LOCKNUT GR5 YLW PLTD
43	10-19599	1/2" NC NYLON LOCKNUT GR 2 PLTD
44	9900800	1/4" X 3/4" NC BOLT GR5 PLTD
45	10-28449	1/4" NC NYLON LOCKNUT PLTD
46	10-19600	LOCKNUT, 5/8"
47	9900783	1/4" LOCK WASHER
48	10-19604	3/8" LOCK WASHER
49	10-17392	3/8" FLAT WASHER
50	05-A363	MKX10 LANDING GEAR ELEC POWERSWING

HYDRAULIC LANDING GEAR POWER SWING-10" (A362)

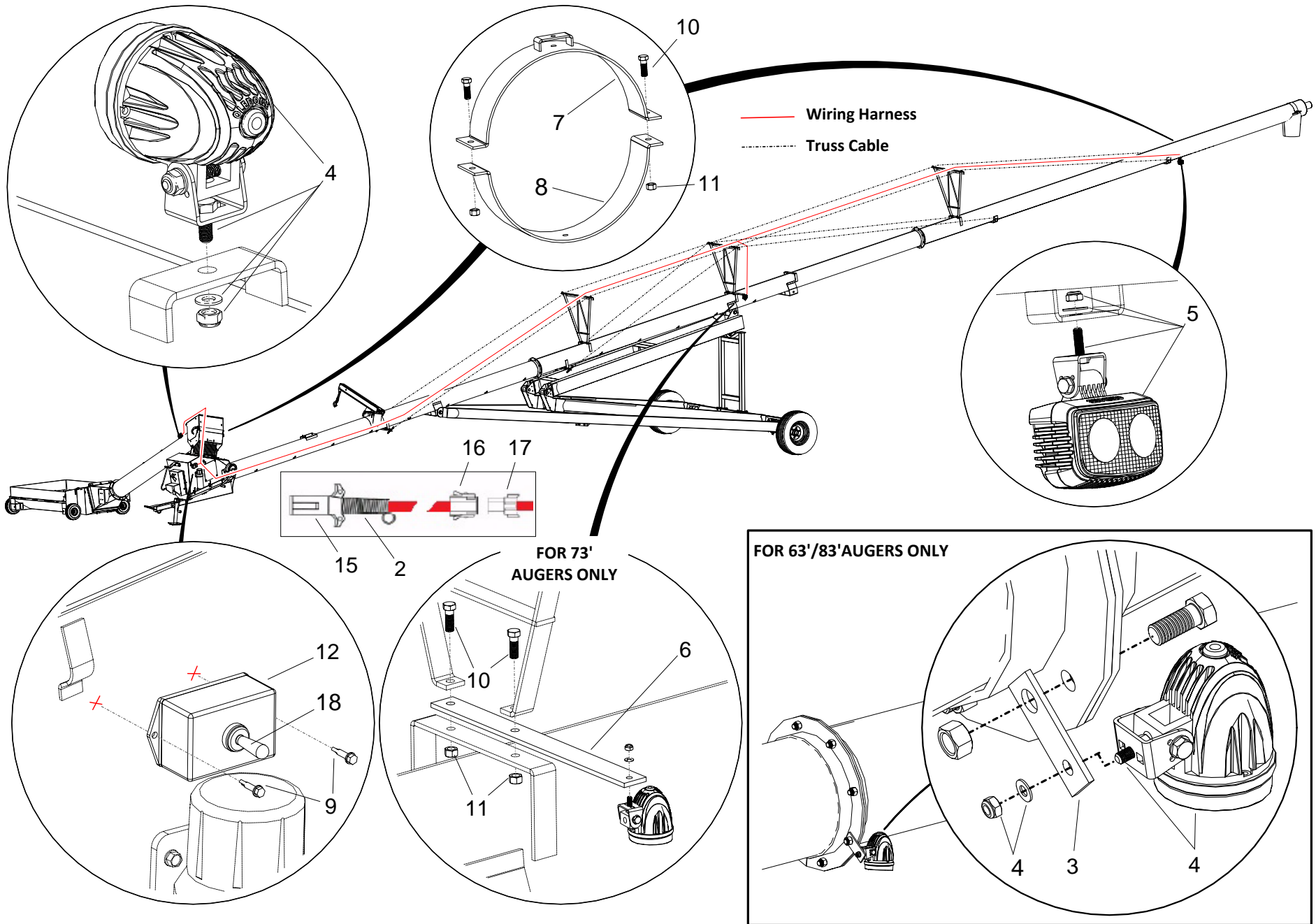
ITEM	PART NO.	DESCRIPTION
1	10-22560	LANDING GEAR PS HYD ASSEMBLY
2	10-23082	2-SPOOL VALVE ASSY, LANDING GEAR PS, 10"
3	10-22554	ATTACH, RH, MKX/X130 LGPS
4	10-22559	HYD CYLINDER ATTACH, MKX/X130 LGPS
5	10-22562	SHORT X-ARM, RH, LGPS
6	10-22564	SHORT X-ARM, LH, LGPS
8	10-19801	10" HALF CLAMP
9	10-22161	1-1/2 X 8 HYDRAULIC CYLINDER
10	10-20246	PS HYD MOTOR, 17.9 CU IN
11	10-22548	2 SPOOL VALVE, 8 GPM
12	10-23081	2-SPOOL VALVE MOUNT, LGPS
13	10-20137	POWERSWING 5 BOLT WHEEL ASSEMBLY
14	10-20166	ASSY HUB, W/ BUSHING
15	10-22164	CHAIN GUARD, LANDING GEAR
16	10-22746	ORIFICE, 3/8" MALE X 3/8" FEMALE
17	10-20211	50B12 X 1 SPROCKET
18	10-19133	#50-1R X 37P ROLLER CHAIN
19	10-19134	#50 CONNECTOR LINK
20	10-28732	LINE BLOCK
21	10-22191	STEEL ELBOW 6MORB X 3/8 NSPM
22	10-22556	ADAPTER, 45 DEG, #10MORB X #6FNPSM
23	10-22557	STEEL ELBOW, 8MNPT X 6FNPSM
24	10-22558	STEEL ELBOW, 8MORB X 6FNPSM
25	10-28654	STEEL ELBOW 90DEG, 8MORB X 8FNPSM
26	10-28477	STEEL FITTING, 8MORB X 1/2FNPSM
27	10-22168	PIN, LANDING GEAR
28	10-22577	PIN, LGPS CYLINDER ATTACH
29	10-22578	SPACER SLEEVE, LGPS CYL ATTACH
30	10-22187	SLIDER BUSHING, LANDING GEAR
31	10-19776	BUSHING, 1-1/4"
32	10-29998	LYNCH PIN 3/16 X 1-1/4 Y.ZINC PLTD
33	10-20565	1/2" X 1" WHEEL BOLT (BLACK)
34	10-20398	3/4" X 3-1/2" NC BOLT GR 5 PLTD
35	10-18698	7/16" X 1-1/4" NC BOLT GR 8 PLTD
36	10-17631	5/16" X 2-1/2" NC BOLT GR 2 PLTD
37	9900564	1/2" X 5" UNC BOLT GR5 PLTD
39	10-19979	3/4" FLAT WASHER PLTD
40	10-17651	1-1/4" RIM WASHER
41	10-17401	1/2" FLAT WASHER PLTD
42	10-19601	3/4" NC NYLON LOCKNUT PLTD
43	10-17593	7/16" NC NYLON LOCKNUT GR5 YLW PLTD
44	10-19980	5/16" NC NYLON LOCKNUT PLTD
45	10-19599	1/2" NC NYLON LOCKNUT GR 2 PLTD
46	10-19540	3/8" X 3/4" NC BOLT GR 5 PLTD
47	9900047	PIONEER COUPLER
48	10-29368	1/2" X 247" HYDRAULIC HOSE
49	10-29414	3/8" X 46" HYDRAULIC HOSE
50	10-28229	3/8" X 50" HYDRAULIC HOSE
51	10-18955	3/8" X 1" NC BOLT GR 5 PLTD
52	10-18155	COTTER PIN, 3/16" x 1-1/4"

57- LANDING GEAR POWER SWING, HYDRAULIC



HYDRAULIC LANDING GEAR POWER SWING-10" (A362)

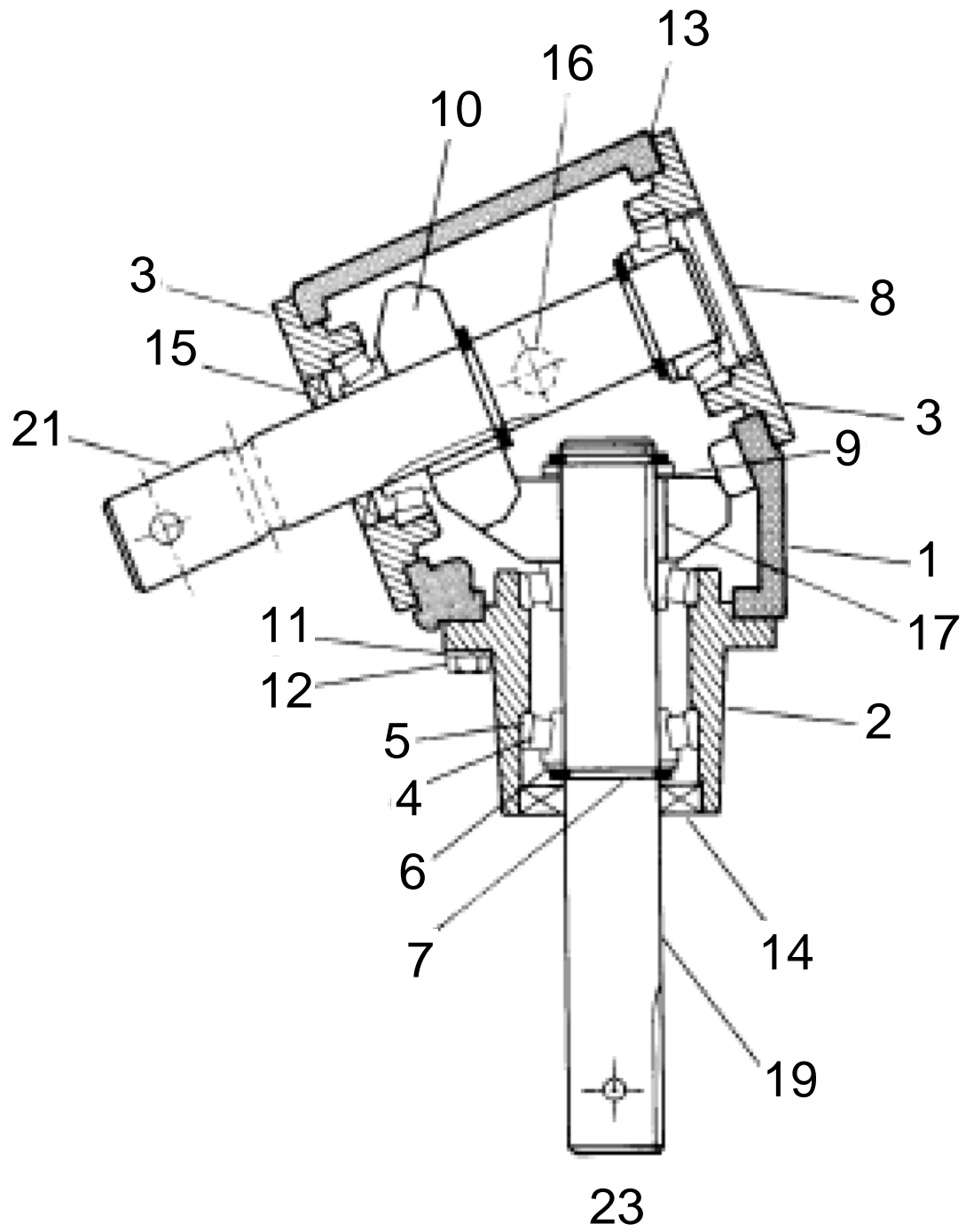
ITEM	PART NO.	DESCRIPTION
53	10-19604	3/8" LOCK WASHER
54	10-17392	3/8" FLAT WASHER
55	10-22744	3/8" X 80" HYDRAULIC HOSE
56	10-27336	5/16" FLAT WASHER
57	05-A362	MKX10 LANDING GEAR HYD POWER SWING
58	10-17467	MK91 DOUBLE HOSE HOLDER
59	10-29246	3/8" X 1" GR8 SHEAR BOLT
60	10-17402	3/8" NC NYLON LOCKNUT PLTD



WORK LIGHT KIT, 63 (A348) | 73 (A350) | 83 (A352)

ITEM	PART NO.	DESCRIPTION
1	10-22695	WORK LIGHT HARNESS, 63
1	10-22696	WORK LIGHT HARNESS, 73
1	10-22697	WORK LIGHT HARNESS, 83
2	10-22687	TRACTOR PLUG EXTENSION HARNESS
3	10-22286	TRANSPORT CHAIN LUG
4	10-22394	MINI FLOOD LAMP, LEDWD-1L10 (INCLUDES HARDWARE)
5	10-22395	FLOOD LAMP, LEDWD-2L20 (INCLUDES HARDWARE)
6	10-22712	LIGHT BRACKET, 1073
7	10-22740	X100 HOSE ATTACH
8	10-19801	HALF CLAMP, 10"
9	10-22396	8-18 X 3/4" TEK SCREW
10	10-18698	BOLT, 7/16" X 1-1/4"
11	10-19598	LOCKNUT, 7/16"
12	10-22399	SWITCH BOX ONLY
13	10-22427	LEAD CONNECTOR, DEUTSCH DT06-2S (NOT SHOWN)
14	10-22446	BUSS AGC 20A FUSE (NOT SHOWN)
15	10-28665	7 PIN HIGHWAY TRACTOR CONNECTOR
16	10-23124	8 WAY PLUG, AT06-08SA
17	10-23125	8 WAY RECEPTACLE, AT04-08PA
18	10-24355	WEATHERPROOF TOGGLE SWITCH
19	10-23126	WEATHER PACK TOWER, 6 POS (NOT SHOWN)
20	10-23127	WEATHER PACK SHROUD, 6 POS (NOT SHOWN)
21	10-23128	DEUTSCH 2 WAY CAP, 1011-344-0205 (NOT SHOWN)
22	05-A348	X1063 WORK LIGHT KIT
22	05-A350	X1073 WORK LIGHT KIT
22	05-A352	X1083 WORK LIGHT KIT

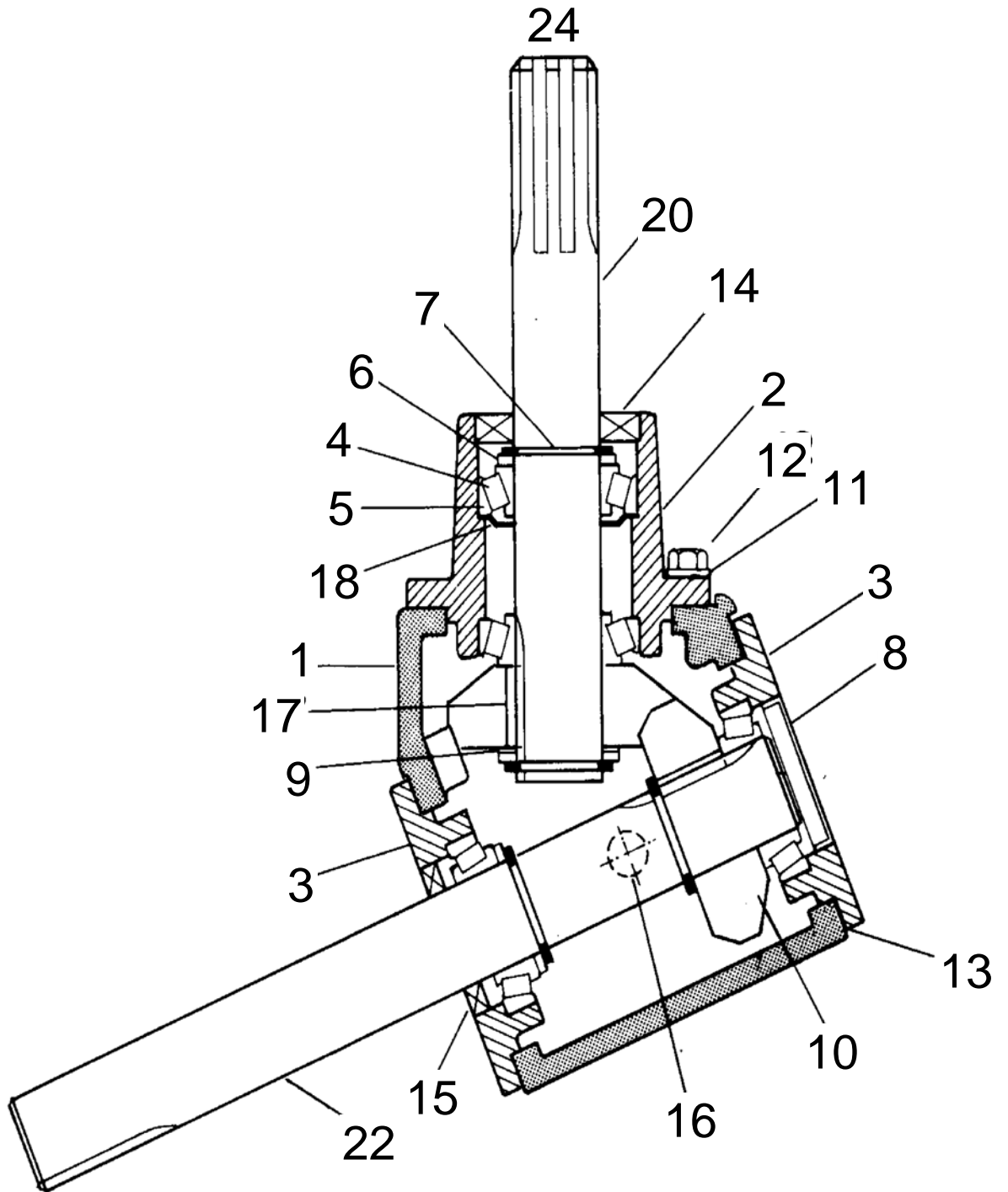
UPPER GEARBOX (18849)



UPPER GEARBOX (18849)

ITEM	PART NO.	DESCRIPTION
1	10-18959	HOUSING
2	10-18960	QUILL
3	10-18961	END CAP
4	10-19265	BEARING CONE TIMKEN # LM 67048
5	10-19266	BEARING CUP TIMKEN # LM 67010
6	10-18426	SPACER
7	10-18962	SNAP RING
8	10-18963	EXPANSION PLUG
9	10-18411	.007SHIM(1.25" I.D.)
10	10-18964	GEAR
11	10-19603	LOCKWASHER, 5/16"
12	10-19538	CAP SCREW, 5/16" - 18 x 3/4"
13	10-18390	.005 SHIM
14	10-18427	SEAL, NATIONAL # 471808, CR# 12614
15	10-18403	SEAL, NATIONAL # 470163, CR# 12458
16	10-18393	1/4 NPT PIPE PLUG
17	10-18380	SQUARE KEY
19	10-18967	PINION SHAFT, UPPER GEARBOX ONLY
21	10-18972	CROSS SHAFT, UPPER GEARBOX ONLY
23	10-18849	UPPER GEARBOX, COMPLETE

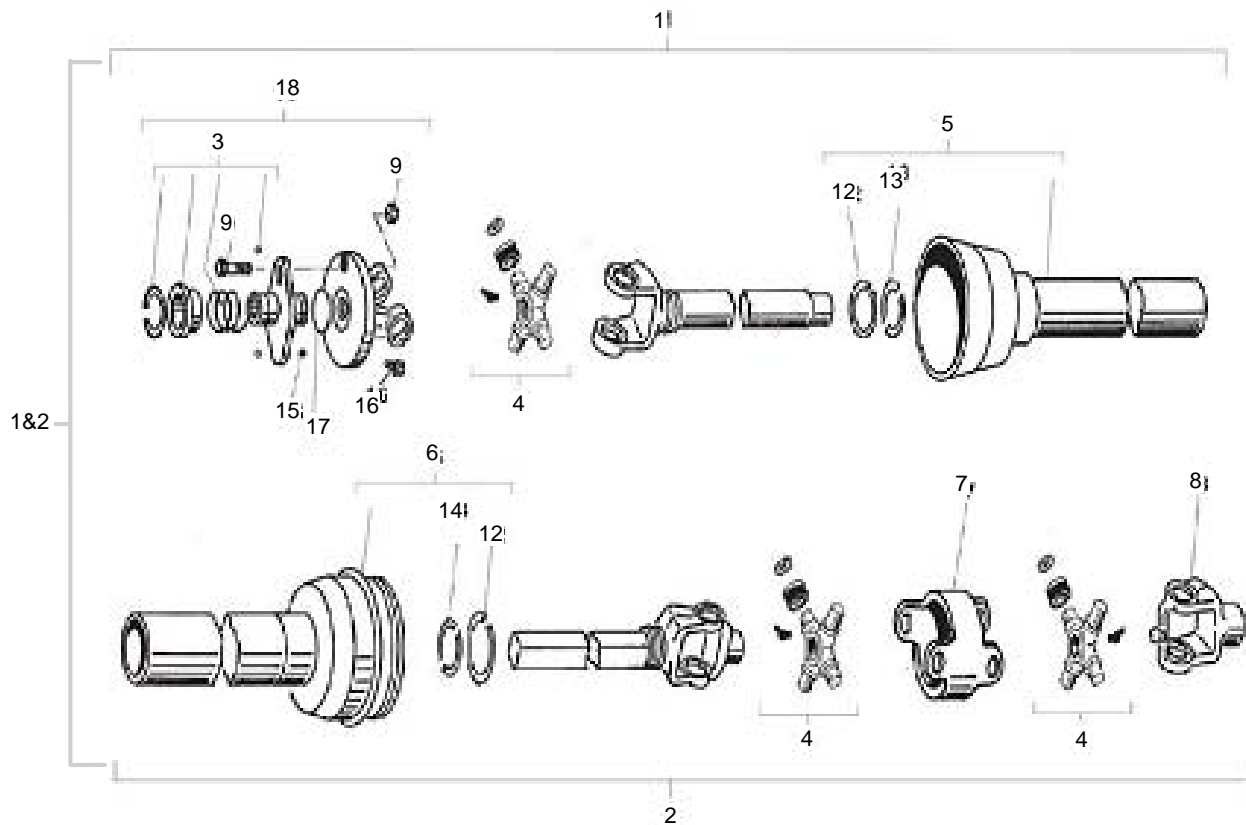
LOWER GEARBOX (21549)



LOWER GEARBOX (21549)

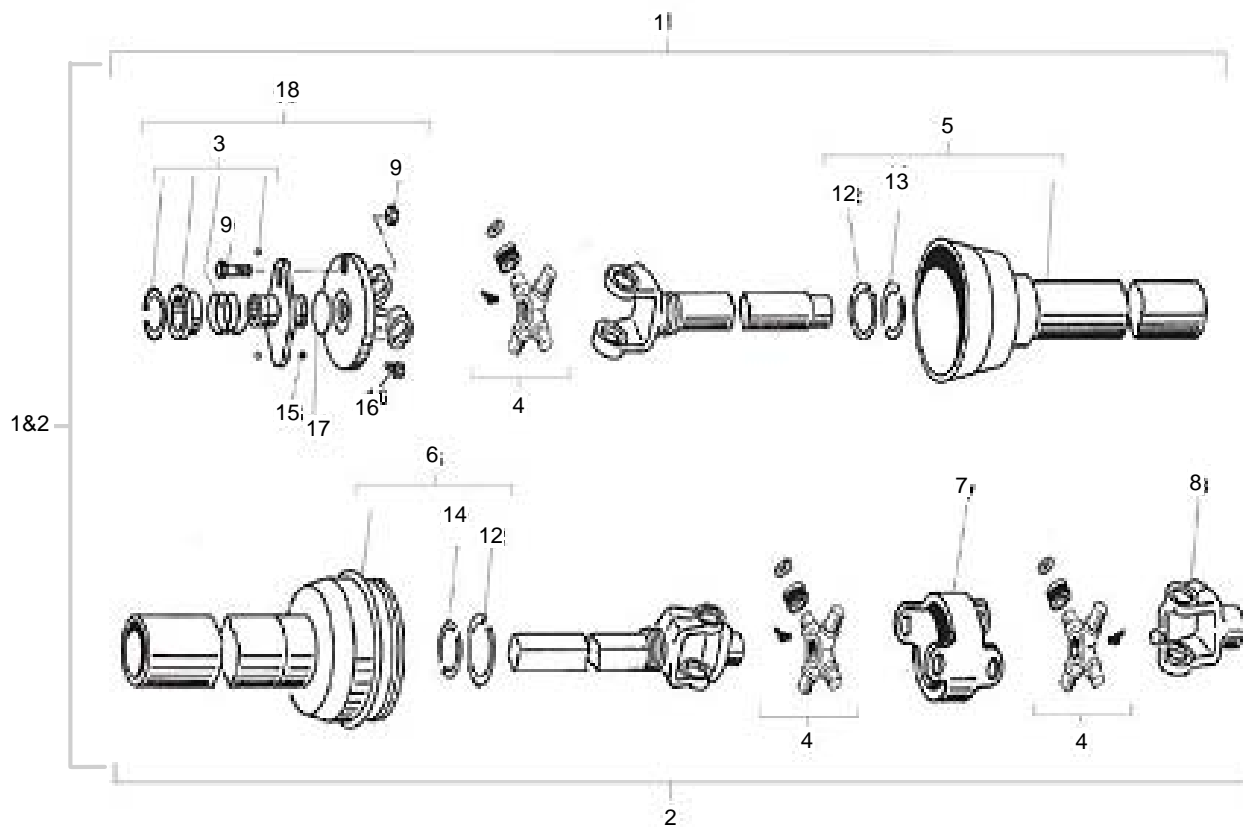
ITEM	PART NO.	DESCRIPTION
1	10-18959	HOUSING
2	10-18960	QUILL
3	10-18961	END CAP
4	10-19265	BEARING CONE TIMKEN # LM 67048
5	10-19266	BEARING CUP TIMKEN # LM 67010
6	10-18426	SPACER
7	10-18962	SNAP RING
8	10-18963	EXPANSION PLUG
9	10-18411	.007SHIM(1.25" I.D.)
10	10-18964	GEAR
11	10-19603	LOCKWASHER, 5/16"
12	10-19538	CAP SCREW, 5/16" - 18 x 3/4"
13	10-18390	.005 SHIM
14	10-18427	SEAL, NATIONAL # 471808, CR# 12614
15	10-18403	SEAL, NATIONAL # 470163, CR# 12458
16	10-18393	1/4 NPT PIPE PLUG
17	10-18380	SQUARE KEY
18	10-18965	GREASE WASHER, LOWER GEARBOX ONLY
20	10-18970	PINION SHAFT, LOWER GEARBOX ONLY
22	10-21938	CROSS SHAFT, LOWER GEARBOX ONLY
24	10-21549	LOWER GEARBOX ONLY, COMPLETE

CONSTANT VELOCITY PTO SHAFT (18484)



ITEM	PART NO.	DESCRIPTION
1	10-18456	1/2 PTO SHAFT, TRACTOR END
1&2	10-18484	COMPLETE PTO SHAFT
2	10-18457	1/2 PTO SHAFT, IMPLEMENT END
3	10-18458	SPRING LOCK REPAIR KIT
4	10-18459	UNIVERSAL JOINT REPAIR KIT
5	10-18460	PLASTIC SHIELD C/W REFERENCE NO. 12 & 13, TRACTOR END
6	10-18461	PLASTIC SHIELD C/W REFERENCE NO. 12 & 14, IMPLEMENT END
7	10-18462	CV CENTRE HOUSING
8	10-18463	END YOKE
9	10-17126	BOLT AND LOCKNUT, 5/16 - 18 x 1", GRADE 8
12	10-18467	RETAINER RING
13	10-18468	NYLON BEARING
14	10-18468	NYLON BEARING
15	10-18470	BALL BEARING KIT
16	10-19995	BOLT, 3/8 - 16 x 1/2", GRADE 5
17	10-18485	BLANK DISC
18	10-18363	SHEAR ASSEMBLY

CONSTANT VELOCITY PTO SHAFT (27481)



ITEM	PART NO.	DESCRIPTION
1&2	10-27481	COMPLETE PTO SHAFT
1	10-27592	1/2 PTO SHAFT, TRACTOR END
2	10-27593	1/2 PTO SHAFT, IMPLEMENT END
3	10-18270	SPRING LOCK REPAIR KIT
4	10-18271	UNIVERSAL JOINT REPAIR KIT
5	10-27596	PLASTIC SHIELD C/W REFERENCE NO. 12 & 13, TRACTOR END
6	10-27595	PLASTIC SHIELD C/W REFERENCE NO. 12 & 14, IMPLEMENT END
7	10-18274	CV CENTRE HOUSING
8	10-27594	END YOKE
9	10-17126	BOLT AND LOCKNUT, 5/16 - 18 x 1", GRADE 8
12	10-18467	RETAINER RING
13	10-18468	NYLON BEARING
14	10-18441	NYLON BEARING
15	10-18470	BALL BEARING KIT
16	10-19995	BOLT, 3/8 - 16 x 1/2", GRADE 5
17	10-18485	BLANK DISC
18	10-27597	SHEAR ASSEMBLY



P.O. Box 39

Rosenort, Manitoba, R0G 1W0 Canada

Phone: (866) 467-7207 (Canada & USA) or (204) 746-2396

Fax: (866) 768-4852

website: www.grinaugers.com

email: sales@grinaugers.com

© Ag Growth International Inc. 2020

Printed in Canada