

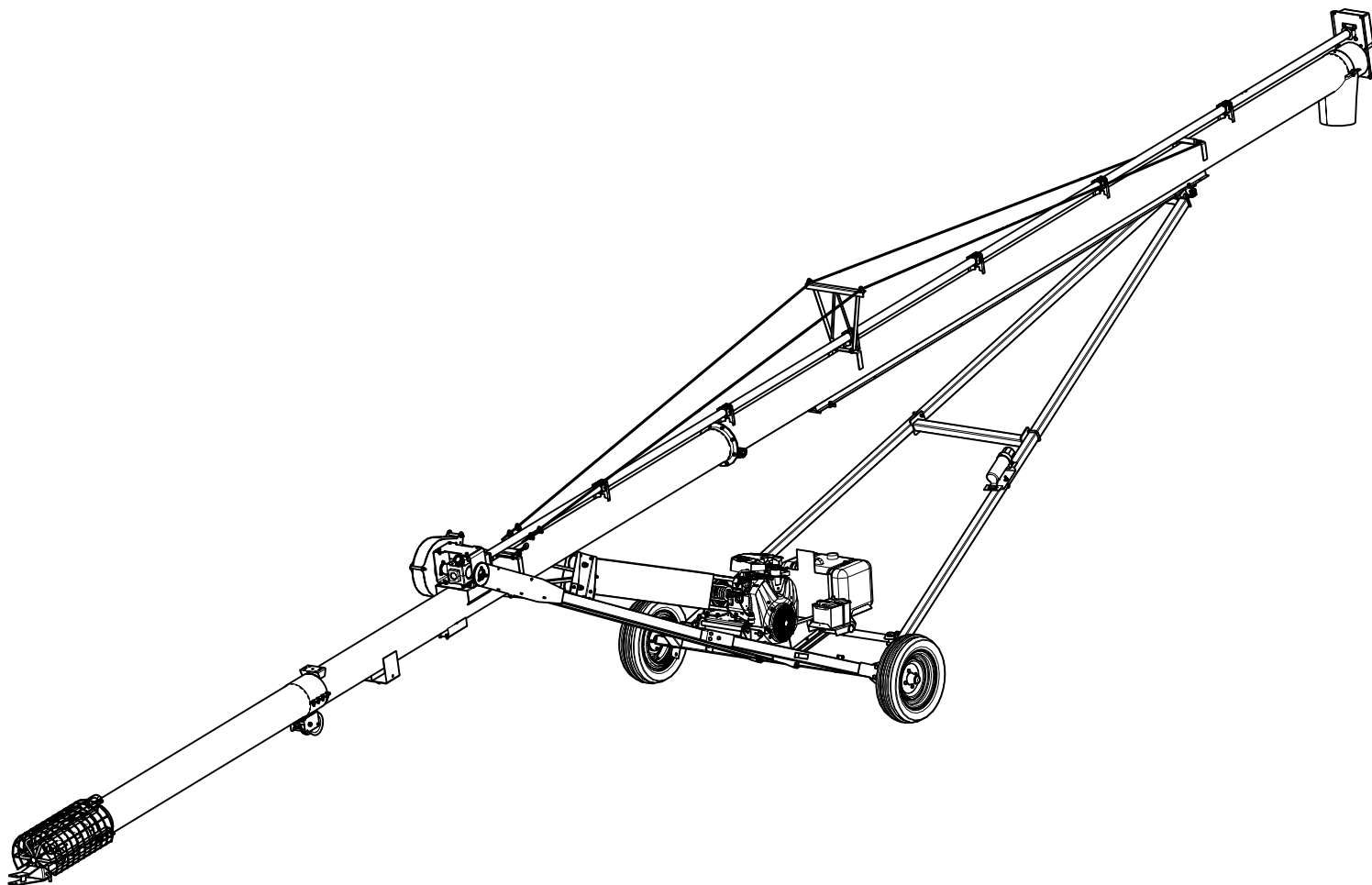
# **AGI** **WESTFIELD**

## **STX2 Series**

### **Portable Grain Auger Parts Manual**

**8-31, 8-36, 8-41, 8-46, 8-51**

**10-31, 10-36, 10-41, 10-46, 10-51**



Revised: 07/Aug/2020

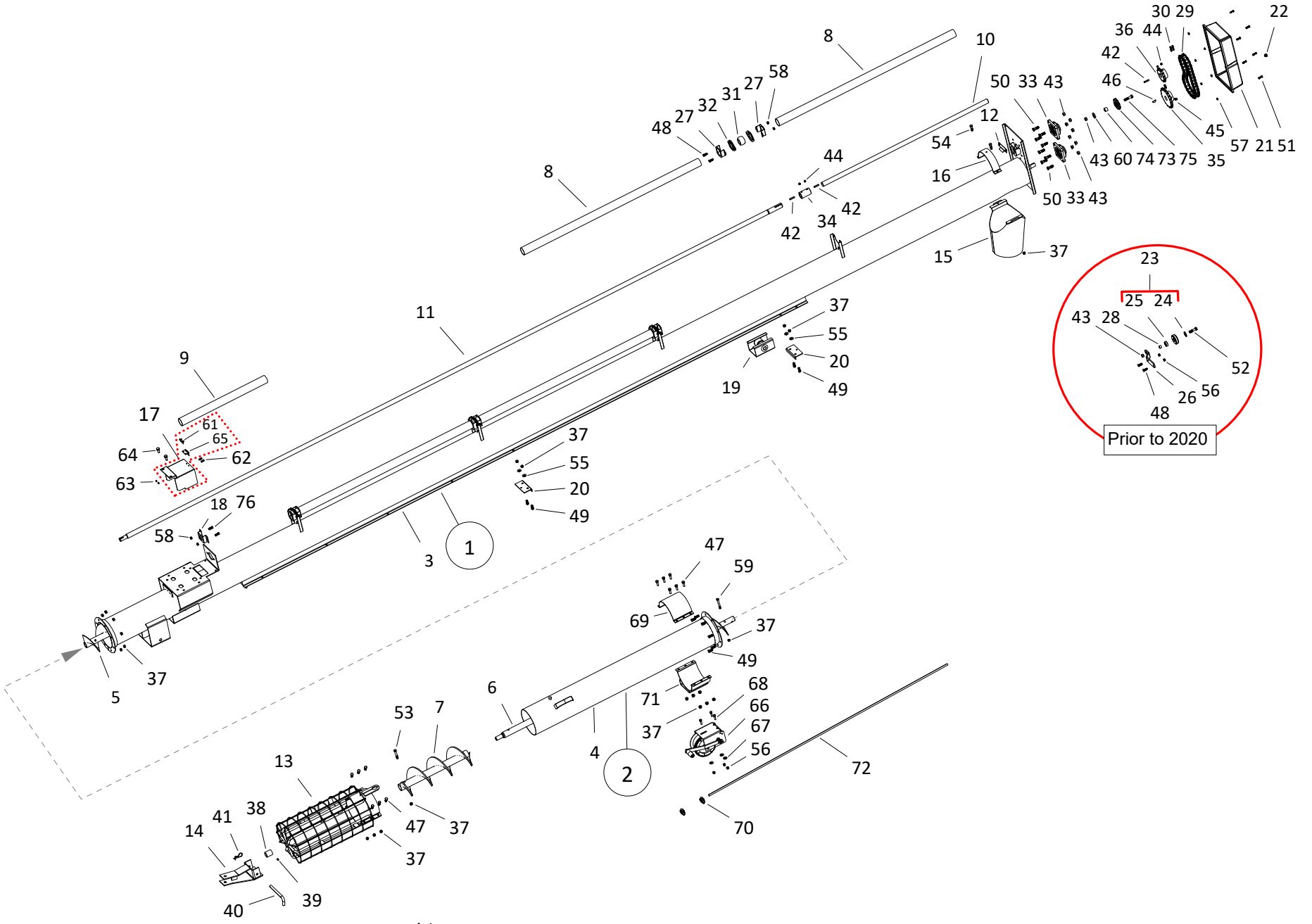
# TABLE OF CONTENTS

DESCRIPTION	PAGE
TUBE COMPONENTS, 8" x 31 ft	4
TUBE COMPONENTS, 8" x 36 ft	8
TUBE COMPONENTS, 8" x 41 ft	12
TUBE COMPONENTS, 8" x 46 ft	16
TUBE COMPONENTS, 8" x 51 ft	20
TUBE COMPONENTS, 10" x 31 ft	24
TUBE COMPONENTS, 10" x 36 ft	28
TUBE COMPONENTS, 10" x 41 ft	32
TUBE COMPONENTS 10" X 46 ft	36
TUBE COMPONENTS, 10" x 51 ft	40
FRAME COMPONENTS, 31 ft	44
FRAME COMPONENTS, 36 ft	46
FRAME COMPONENTS, 41 ft	48
FRAME COMPONENTS, 46 ft	50
FRAME COMPONENTS, 51 ft	52
DRIVE COMPONENTS (PRIOR TO 2020)	54
DRIVE COMPONENTS, STX2 8   10-31 (2020)	58
DRIVE COMPONENTS, STX2 8   10-36 (2020)	62
DRIVE COMPONENTS, STX2 8   10-41 (2020)	66
DRIVE COMPONENTS, STX2 8   10-46 (2020)	70
DRIVE COMPONENTS, STX2 8   10-51 (2020)	74
GAS TANK KIT (A415)	78
SP KIT FRAME COMPONENTS (31 & 36 ft)	80
SP KIT FRAME COMPONENTS (41, 46 & 51 ft)	82
HD SP KIT FRAME COMPONENTS	86
HD HYDRAULIC STEERING OPTION KIT (A332)	90
SP KIT PARTS	92
HYDRAULIC HOSES, 31 ft (SP KIT)	96
HYDRAULIC HOSES, 36 ft (SP KIT)	98
HYDRAULIC HOSES, 41 ft (SP KIT)	100
HYDRAULIC HOSES, 46 ft (SP KIT)	102
HYDRAULIC HOSES, 51 ft (SP KIT)	104
HYDRAULIC HOSES, 36 ft (HD SP KIT - MANUAL)	106
HYDRAULIC HOSES, 41 ft (HD SP KIT - MANUAL)	108
HYDRAULIC HOSES, 46 ft (HD SP KIT - MANUAL)	110
HYDRAULIC HOSES, 51 ft (HD SP KIT - MANUAL)	112

# TABLE OF CONTENTS

DESCRIPTION	PAGE
HYDRAULIC HOSES, 36 ft (HD SP KIT - HYDRAULIC)	114
HYDRAULIC HOSES, 41 ft (HD SP KIT - HYDRAULIC)	116
HYDRAULIC HOSES, 46 ft (HD SP KIT - HYDRAULIC)	118
HYDRAULIC HOSES, 51 ft (HD SP KIT - HYDRAULIC)	120
REVERSIBLE GEARBOX KIT, 31 ft (A393)	122
REVERSIBLE GEARBOX KIT 36, 41, 46, 51 ft (A391)	124
ELECTRIC CLUTCH KIT, DOUBLE (A224 & A225)	126
ELECTRIC CLUTCH KIT, TRIPLE (A414)	128
LIGHT KIT 31, 36, 41 ft (A317)	130
LIGHT KIT, 46-51 ft (A318)	132
INTAKE HOPPER KIT, 8" (A260)	134
INTAKE HOPPER KIT, 10" (A249)	136
VANGUARD COLD WEATHER KIT (23746)	138
3ft EXTENSION KIT, STX2 (A442YL)	140
ENCLOSED GUARD KIT (A437   A438   A439   A440)	142
GEARBOX (29676)	144
REVERSIBLE GEARBOX (29322)	146
HYDRAULIC WINCH (23515)	148
VALVE (20773)	150
VALVE (22441)	152
SP KIT GEAR DRIVE COMPONENTS	154

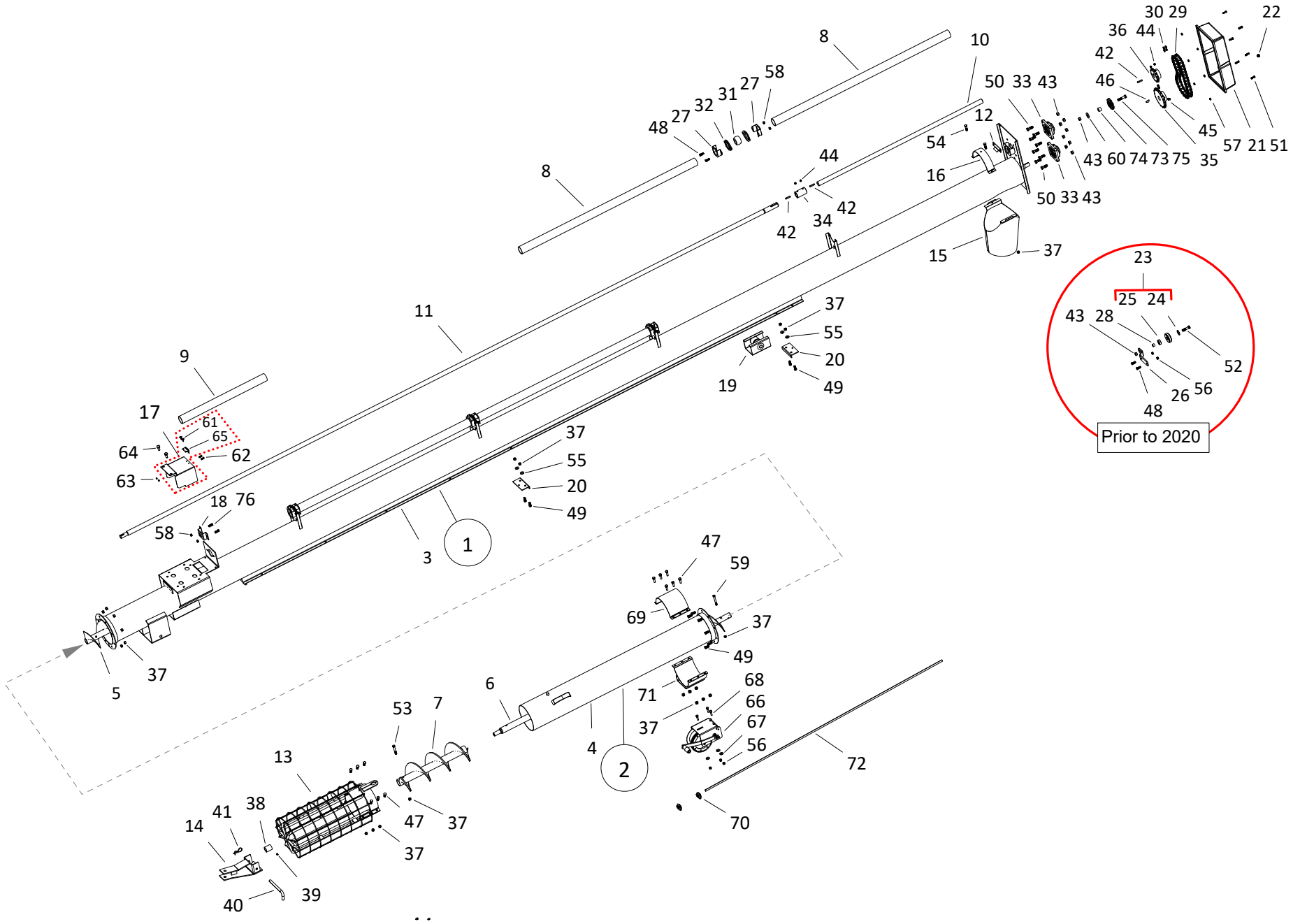
# TUBE COMPONENTS, 8" X 31 ft



## TUBE COMPONENTS, 8" x 31 ft

ITEM	PART NO.	DESCRIPTION
1	10-23152	UPPER TUBE BUNDLE
2	10-29758	LOWER TUBE BUNDLE
3	10-23154	UPPER TUBE ONLY
4	10-19390	LOWER TUBE ONLY
5	200475	UPPER FLIGHT
6	10-29731	LOWER FLIGHT W/ INTAKE FLIGHT, 8"
7	10-18920	INTAKE FLIGHT, 8"
8	10-23614	UPPER DRIVESHAFT GUARD
9	10-23175	LOWER DRIVESHAFT GUARD
10	10-29736	UPPER SHORT DRIVESHAFT
11	10-23182	LOWER DRIVESHAFT
12	10-23617	SHIELD STOP, UPPER
13	10-29726	INTAKE W/ SHIELD, BUSHING
14	10-17123	CLEVIS
15	10-29306	SPOUT, 8" ROLLED
16	10-19460	HALF CLAMP, 8"
17	10-24076	CHAIN COUPLER GUARD, ASSY
18	10-23268	DRIVESHAFT GUARD HANGER BRACKET, LOWER
19	10-18763	TRACK SHOE
20	10-18762	TRACK STOP
21	10-17160	OIL COVER, 10" HEAD
22	10-17179	OIL BATH PLUG, 3/8
23	10-23178	CHAIN TENSIONER IDLE WHEEL ASSY
24	10-23177	INTERNAL SNAP RING, 1-3/8"
25	10-22821	BEARING
26	10-23955	CHAIN TENSIONER IDLER BRACKET
27	10-23250	FLANGE BEARING HANGER BRACKET
28	10-22946	TIGHTENER SPACER
29	10-23185	ROLLER CHAIN W/ CONN (HEAVY), #80-1HR X 31P
30	10-19323	CONNECTOR LINK (HEAVY), #80HR
31	10-18691	WOOD BEARING, 1-1/4
32	10-18695	FLANGE, 2-HOLE, 1-1/4"
33	10-19567	PILLOW BEARING, 1-1/4
34	10-19770	DRIVESHAFT CONNECTOR, 1-1/4"
35	10-23181	SPROCKET, 80B18 X 1"
36	10-23180	SPROCKET, 80B12 X 1-1/4"
37	10-19598	7/16" NC NYLON LOCKNUT GR 2 PLTD
38	10-19149	1" BUSHING
39	10-19222	1/4" FINE THREAD ZIRK
40	10-17181	CLEVIS PIN
41	10-17383	3610 GRIP CLIP
42	10-19606	KEY, 1/4" X 1-1/2" SQ
43	10-19599	1/2" NC NYLON LOCKNUT GR 2 PLTD
44	10-19225	SETSCREW, 3/8" UNC X 3/8" REGULAR
45	10-29118	SETSCREW, 3/8" X 3/4" GR8 SQ HEAD
46	10-19224	1/4" X 1" WOODRUFF KEY PLAIN
47	10-18698	7/16" X 1-1/4" NC BOLT GR 8 PLTD
48	10-18955	3/8" X 1" NC BOLT GR 5 PLTD
49	10-19542	7/16" X 1" NC BOLT GR 5 PLTD
50	10-19589	1/2" X 1-1/2" NC BOLT GR 8 PLTD

TUBE COMPONENTS, 8" X 31 ft

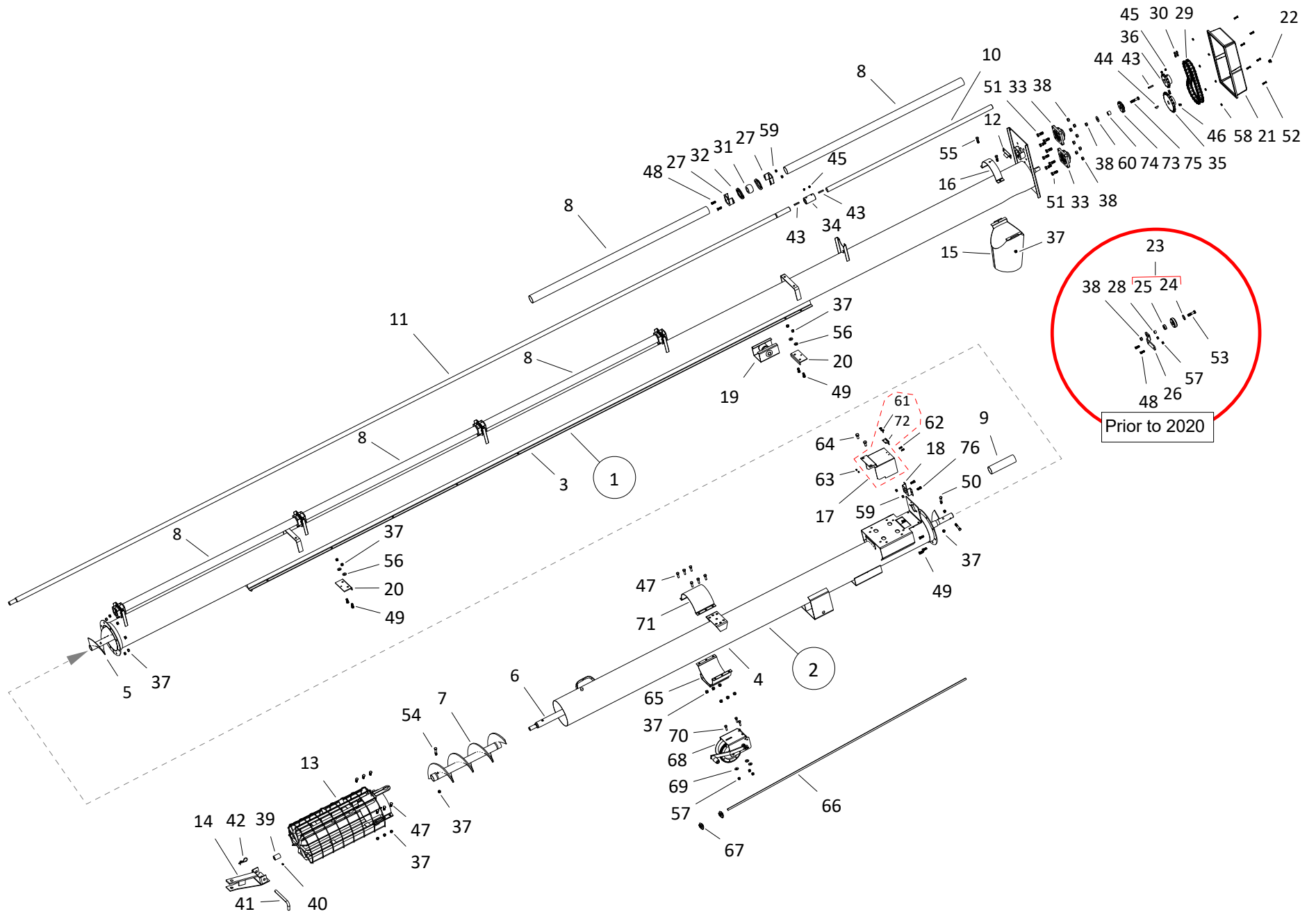


## TUBE COMPONENTS, 8" x 31 ft

ITEM	PART NO.	DESCRIPTION
51	10-19988	1/4" X 1" NC BOLT GR 2 PLTD
52	10-27816	1/2" X 2" NC BOLT GR 5 PLTD
53	10-19546	7/16" X 3" NC BOLT GR 5 PLTD
54	10-28744	7/16" X 1-1/2" NC BOLT GR 5 PLTD
55	10-17182	1"OD X 29/64"ID X 10 GA WASHER PLTD
56	10-17402	3/8" NC NYLON LOCKNUT PLTD
57	10-19594	1/4" NC SERRATED FLANGE NUT PLTD
58	10-19596	3/8" NC SERRATED FLANGE NUT PLTD
59	10-19545	7/16" X 2-1/4" NC BOLT GR 8 PLTD
60	10-17401	1/2" FLAT WASHER PLTD
61	10-18185	LARGE FLANGE RIVET
62	10-28656	#10 X 3/4" BOLT PLTD
63	10-28657	#10 NYLON LOCKNUT PLTD
64	10-22936	1/2" X 3/4" NC BOLT GR5
65	10-18188	2" BUTT HINGE, PLATED
66	10-19152	WINCH
67	10-17392	3/8" FLAT WASHER, PLTD
68	10-19975	3/8" X 1-1/4" NC BOLT GR5 PLTD
69	10-27454	8" HITCH RING
70	10-19147	1/4" CABLE CLAMP
71	10-24100	MNL WINCH 8" TUBE CLAMP
72	10-19248	LIFT CABLE
73	200477	80X9T 1/2 BORE IDLER SPROCKET
74	10-24382	IDLER SPROCKET SPACER
75	9900560	1/2" X 2-1/4" NC BOLT GR 5 PLTD
76	10-19540	3/8" X 3/4" NC BOLT GR 5 PLTD

# TUBE COMPONENTS, 8" x 36 ft

8



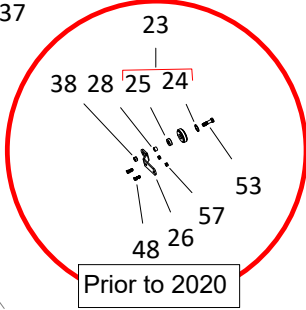
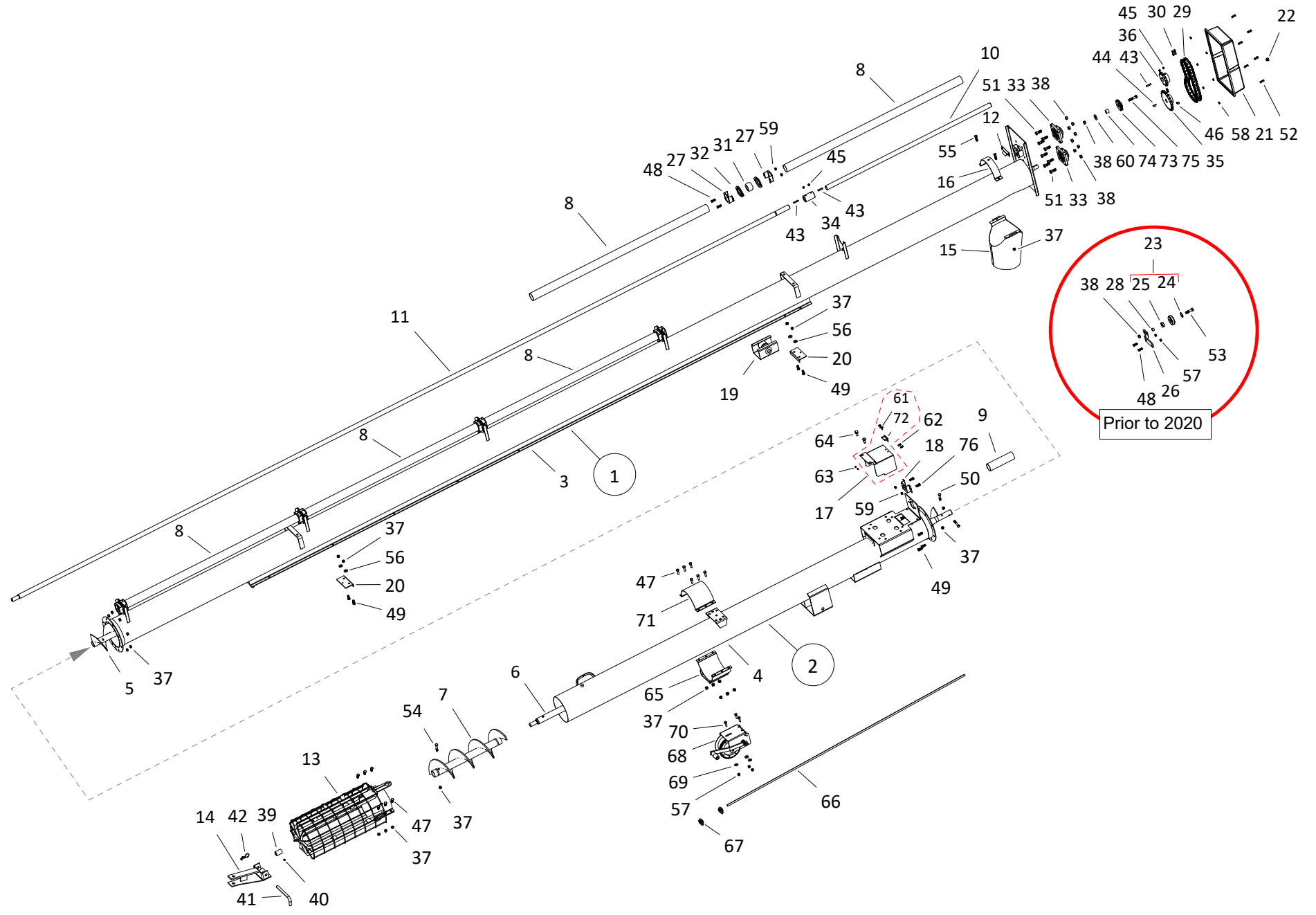


## TUBE COMPONENTS, 8" x 36 ft

ITEM	PART NO.	DESCRIPTION
1	10-23153	UPPER TUBE BUNDLE
2	10-23155	LOWER TUBE BUNDLE
3	10-23163	UPPER TUBE ONLY
4	10-23166	LOWER TUBE ONLY
5	200475	UPPER FLIGHT
6	10-29732	LOWER FLIGHT W/ INTAKE FLIGHT, 8"
7	10-18920	INTAKE FLIGHT, 8"
8	10-23614	UPPER DRIVESHAFT GUARD
9	10-23246	LOWER DRIVESHAFT GUARD
10	10-29736	UPPER SHORT DRIVESHAFT
11	10-23184	MIDDLE DRIVESHAFT
12	10-23617	SHIELD STOP, UPPER
13	10-29726	INTAKE W/ SHIELD, BUSHING
14	10-17123	CLEVIS
15	10-29306	SPOUT, 8" ROLLED
16	10-19460	HALF CLAMP, 8"
17	10-24076	CHAIN COUPLER GUARD, ASSY
18	10-23268	DRIVESHAFT GUARD HANGER BRACKET, LOWER
19	10-18763	TRACK SHOE
20	10-18762	TRACK STOP
21	10-17160	OIL COVER, 10" HEAD
22	10-17179	OIL BATH PLUG, 3/8
23	10-23178	CHAIN TENSIONER IDLE WHEEL ASSY
24	10-23177	INTERNAL SNAP RING, 1-3/8"
25	10-22821	BEARING
26	10-23955	CHAIN TENSIONER IDLER BRACKET
27	10-23250	FLANGE BEARING HANGER BRACKET
28	10-22946	TIGHTENER SPACER
29	10-23185	ROLLER CHAIN W/ CONN (HEAVY), #80-1HR X 31P
30	10-19323	CONNECTOR LINK (HEAVY), #80HR
31	10-18691	WOOD BEARING, 1-1/4
32	10-18695	FLANGE, 2-HOLE, 1-1/4"
33	10-19567	PILLOW BEARING, 1-1/4
34	10-19770	DRIVESHAFT CONNECTOR, 1-1/4"
35	10-23181	SPROCKET, 80B18 X 1"
36	10-23180	SPROCKET, 80B12 X 1-1/4"
37	10-19598	7/16" NC NYLON LOCKNUT GR 2 PLTD
38	10-19599	1/2" NC NYLON LOCKNUT GR 2 PLTD
39	10-19149	1" BUSHING
40	10-19222	1/4" FINE THREAD ZIRK
41	10-17181	CLEVIS PIN
42	10-17383	3610 GRIP CLIP
43	10-19606	KEY, 1/4" X 1-1/2" SQ
44	10-19224	1/4" X 1" WOODRUFF KEY PLAIN
45	10-19225	SETSCREW, 3/8" UNC X 3/8" REGULAR
46	10-29118	SETSCREW, 3/8" X 3/4" GR8 SQ HEAD
47	10-18698	7/16" X 1-1/4" NC BOLT GR 8 PLTD
48	10-18955	3/8" X 1" NC BOLT GR 5 PLTD
49	10-19542	7/16" X 1" NC BOLT GR 5 PLTD
50	10-19545	7/16" X 2-1/4" NC BOLT GR 8 PLTD

TUBE COMPONENTS, 8" x 36 ft

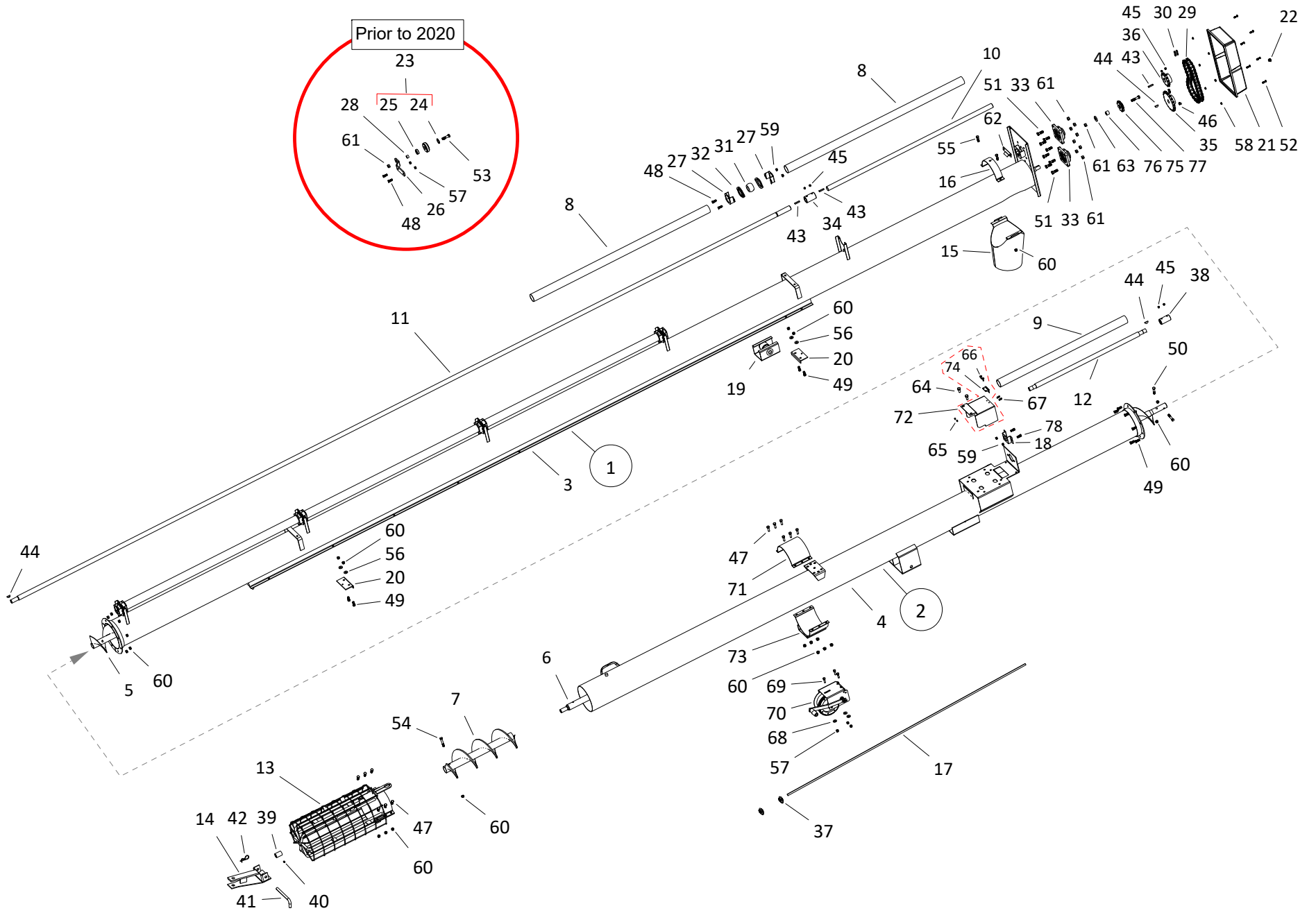
10



## TUBE COMPONENTS, 8" x 36 ft

ITEM	PART NO.	DESCRIPTION
51	10-19589	1/2" X 1-1/2" NC BOLT GR 8 PLTD
52	10-19988	1/4" X 1" NC BOLT GR 2 PLTD
53	10-27816	1/2" X 2" NC BOLT GR 5 PLTD
54	10-19546	7/16" X 3" NC BOLT GR 5 PLTD
55	10-28744	7/16" X 1-1/2" NC BOLT GR 5 PLTD
56	10-17182	1"OD X 29/64"ID X 10 GA WASHER PLTD
57	10-17402	3/8" NC NYLON LOCKNUT PLTD
58	10-19594	1/4" NC SERRATED FLANGE NUT PLTD
59	10-19596	3/8" NC SERRATED FLANGE NUT PLTD
60	10-17401	1/2" FLAT WASHER PLTD
61	10-18185	LARGE FLANGE RIVET
62	10-28656	#10 X 3/4" BOLT PLTD
63	10-28657	#10 NYLON LOCKNUT PLTD
64	10-22936	1/2" X 3/4" NC BOLT GR5 PLTD
65	10-24100	MNL WINCH 8" TUBE CLAMP
66	4503065	WINCH CABLE
67	10-19147	1/4" CABLE CLAMP
68	10-19152	WINCH
69	10-17392	3/8" FLAT WASHER PLTD
70	10-19975	3/8" X 1-1/4" NC BOLT GR5 PLTD
71	10-27454	8" HITCH RING
72	10-18188	2" BUTT HINGE PLTD
73	200477	80X9T 1/2 BORE IDLER SPROCKET
74	10-24382	IDLER SPROCKET SPACER
75	9900560	1/2" X 2-1/4" NC BOLT GR 5 PLTD
76	10-19540	3/8" X 3/4" NC BOLT GR 5 PLTD

# TUBE COMPONENTS, 8" X 41 ft

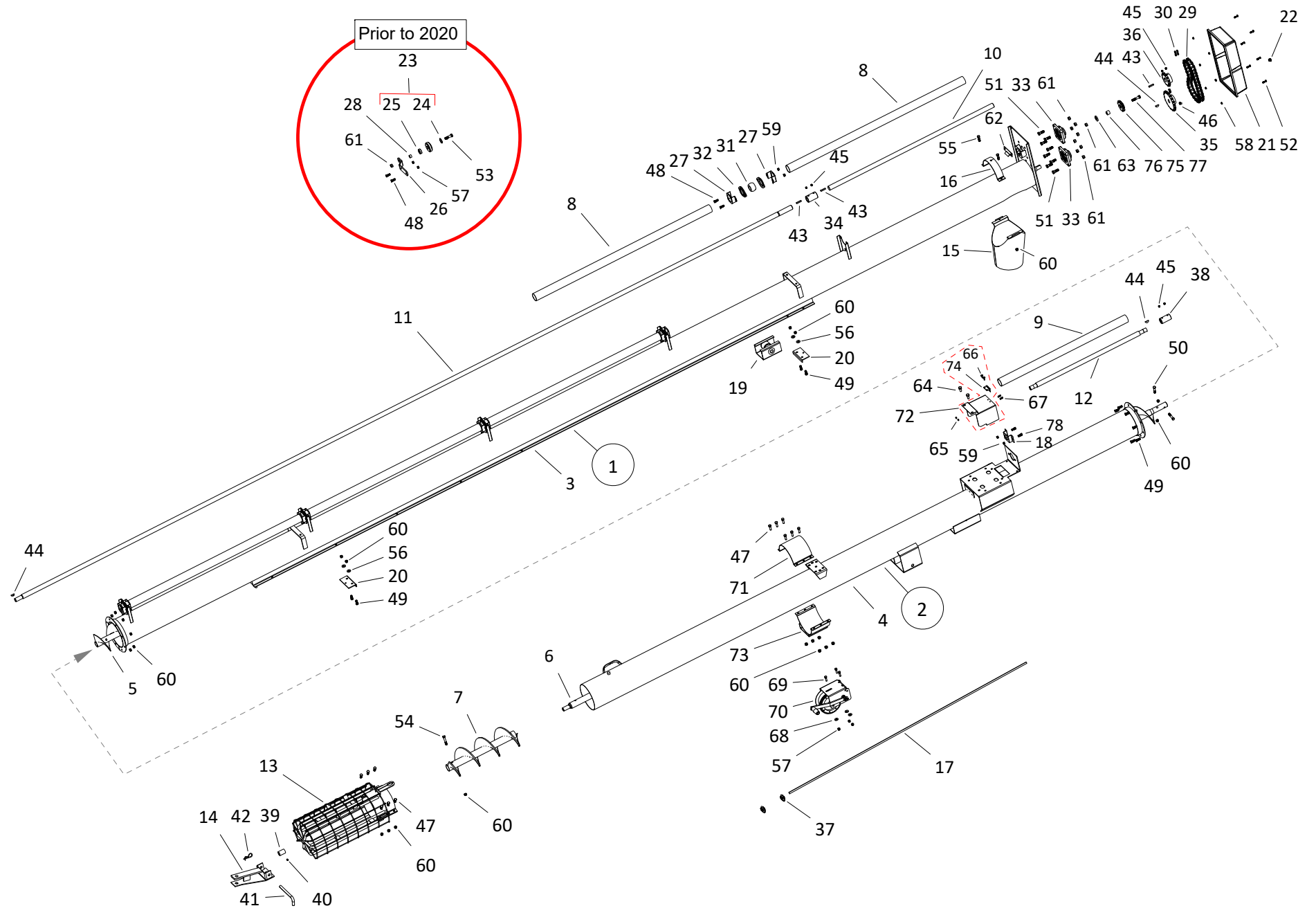


## TUBE COMPONENTS, 8" x 41 ft

ITEM	PART NO.	DESCRIPTION
1	10-23153	UPPER TUBE BUNDLE
2	10-23156	LOWER TUBE BUNDLE
3	10-23163	UPPER TUBE ONLY
4	10-23167	LOWER TUBE ONLY
5	200475	UPPER FLIGHT
6	10-29733	LOWER FLIGHT W/ INTAKE FLIGHT, 8"
7	10-18920	INTAKE FLIGHT, 8"
8	10-23614	UPPER DRIVESHAFT GUARD
9	10-23247	LOWER DRIVESHAFT GUARD
10	10-29736	UPPER SHORT DRIVESHAFT
11	10-23184	MIDDLE DRIVESHAFT
12	10-23231	LOWER DRIVESHAFT
13	10-29726	INTAKE W/ SHIELD, BUSHING
14	10-17123	CLEVIS
15	10-29306	SPOUT, 8" ROLLED
16	10-19460	HALF CLAMP, 8"
17	10-19249	LIFT CABLE
18	10-23268	DRIVESHAFT GUARD HANGER BRACKET, LOWER
19	10-18763	TRACK SHOE
20	10-18762	TRACK STOP
21	10-17160	OIL COVER, 10" HEAD
22	10-17179	OIL BATH PLUG, 3/8
23	10-23178	CHAIN TENSIONER IDLE WHEEL ASSY
24	10-23177	INTERNAL SNAP RING, 1-3/8"
25	10-22821	BEARING
26	10-23955	CHAIN TENSIONER IDLER BRACKET
27	10-23250	FLANGE BEARING HANGER BRACKET
28	10-22946	TIGHTENER SPACER
29	10-23185	ROLLER CHAIN W/ CONN (HEAVY), #80-1HR X 31P
30	10-19323	CONNECTOR LINK (HEAVY), #80HR
31	10-18691	WOOD BEARING, 1-1/4
32	10-18695	FLANGE, 2-HOLE, 1-1/4"
33	10-19567	PILLOW BEARING, 1-1/4
34	10-19770	DRIVESHAFT CONNECTOR, 1-1/4"
35	10-23181	SPROCKET, 80B18 X 1"
36	10-23180	SPROCKET, 80B12 X 1-1/4"
37	10-19147	1/4" CABLE CLAMP
38	10-19119	DRIVESHAFT CONNECTOR
39	10-19149	1" BUSHING
40	10-19222	1/4" FINE THREAD ZIRK
41	10-17181	CLEVIS PIN
42	10-17383	3610 GRIP CLIP
43	10-19606	KEY, 1/4" X 1-1/2" SQ
44	10-19224	1/4" X 1" WOODRUFF KEY PLAIN
45	10-19225	SETSCREW, 3/8" UNC X 3/8" REGULAR
46	10-29118	SETSCREW, 3/8" X 3/4" GR8 SQ HEAD
47	10-18698	7/16" X 1-1/4" NC BOLT GR 8 PLTD
48	10-18955	3/8" X 1" NC BOLT GR 5 PLTD
49	10-19542	7/16" X 1" NC BOLT GR 5 PLTD
50	10-19545	7/16" X 2-1/4" NC BOLT GR 8 PLTD

TUBE COMPONENTS, 8" X 41 ft

14

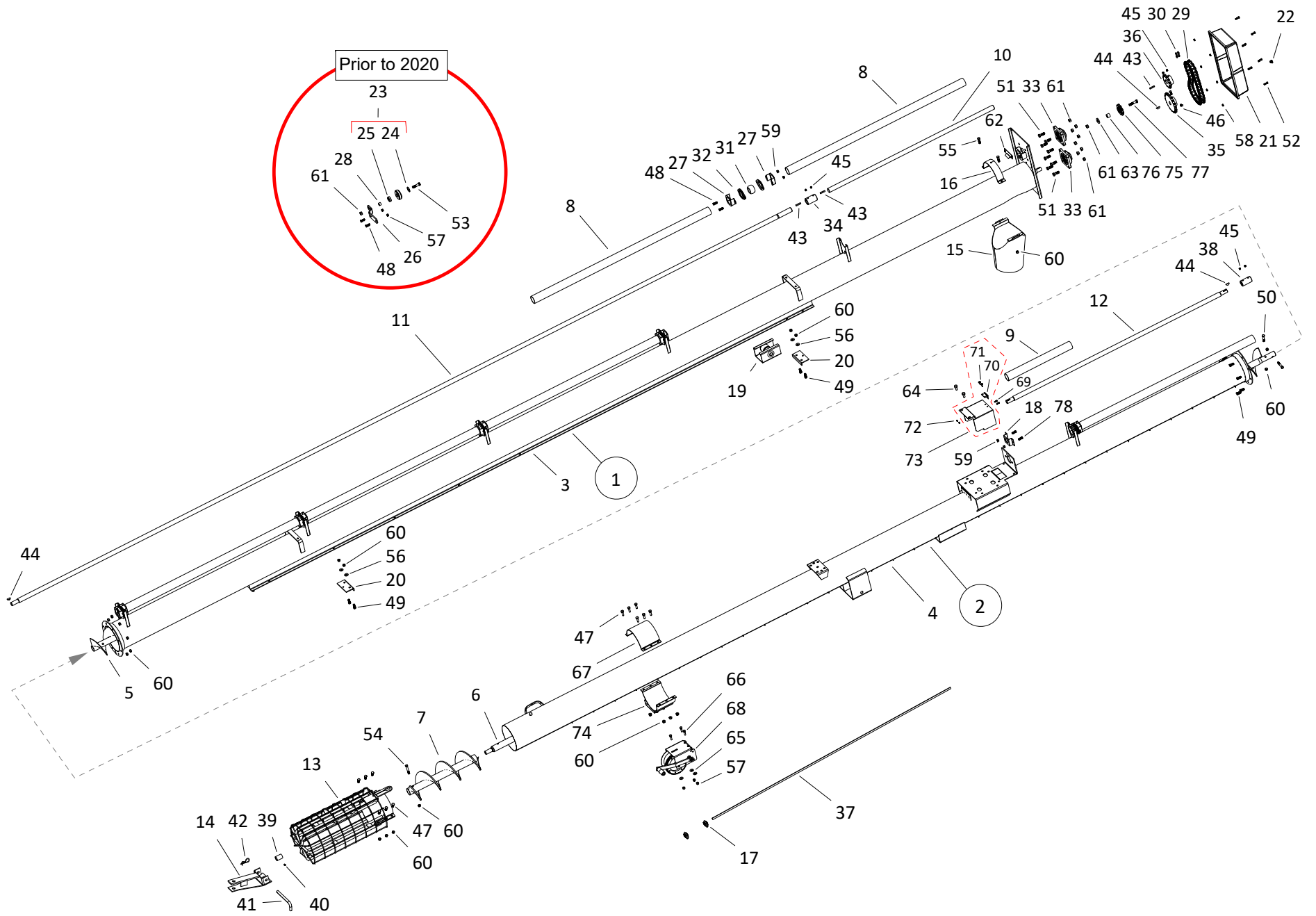


## TUBE COMPONENTS, 8" x 41 ft

ITEM	PART NO.	DESCRIPTION
51	10-19589	1/2" X 1-1/2" NC BOLT GR 8 PLTD
52	10-19988	1/4" X 1" NC BOLT GR 2 PLTD
53	10-27816	1/2" X 2" NC BOLT GR 5 PLTD
54	10-19546	7/16" X 3" NC BOLT GR 5 PLTD
55	10-28744	7/16" X 1-1/2" NC BOLT GR 5 PLTD
56	10-17182	1"OD X 29/64"ID X 10 GA WASHER PLTD
57	10-17402	3/8" NC NYLON LOCKNUT PLTD
58	10-19594	1/4" NC SERRATED FLANGE NUT PLTD
59	10-19596	3/8" NC SERRATED FLANGE NUT PLTD
60	10-19598	7/16" NC NYLON LOCKNUT GR 2 PLTD
61	10-19599	1/2" NC NYLON LOCKNUT GR 2 PLTD
62	10-23617	SHIELD STOP, UPPER
63	10-17401	1/2" FLAT WASHER PLTD
64	10-22936	1/2" X 3/4" NC BOLT GR5 PLTD
65	10-28657	#10 NYLON LOCKNUT PLTD
66	10-18185	LARGE FLANGE RIVET
67	10-28656	#10 X 3/4" BOLT PLTD
68	10-17392	3/8" FLAT WASHER, PLTD
69	10-19975	3/8" X 1-1/4" NC BOLT GR5 PLTD
70	10-19152	WINCH
71	10-27454	8" HITCH RING
72	10-24076	CHAIN COUPLER GUARD, ASSY
73	10-24100	MNL WINCH 8" TUBE CLAMP
74	10-18188	2" BUTT HINGE PLTD
75	200477	80X9T 1/2 BORE IDLER SPROCKET
76	10-24382	IDLER SPROCKET SPACER
77	9900560	1/2" X 2-1/4" NC BOLT GR 5 PLTD
78	10-19540	3/8" X 3/4" NC BOLT GR 5 PLTD

TUBE COMPONENTS, 8" X 46 ft

16

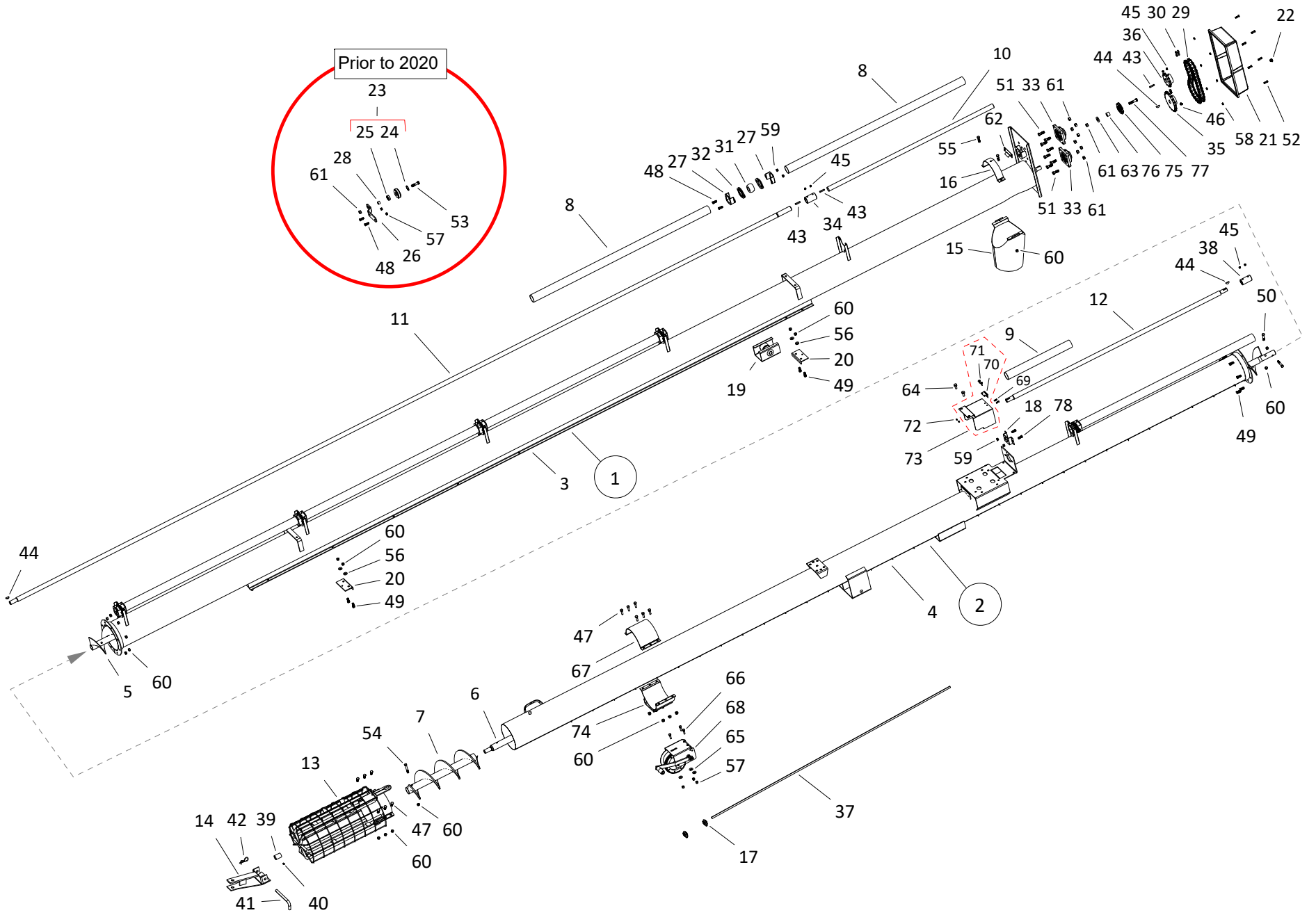




## TUBE COMPONENTS, 8" x 46 ft

ITEM	PART NO.	DESCRIPTION
1	10-23153	UPPER TUBE BUNDLE
2	10-23157	LOWER TUBE BUNDLE
3	10-23163	UPPER TUBE ONLY
4	10-23168	LOWER TUBE ONLY
5	200475	UPPER FLIGHT
6	10-29734	LOWER FLIGHT W/ INTAKE FLIGHT, 8"
7	10-18920	INTAKE FLIGHT, 8"
8	10-23614	UPPER DRIVESHAFT GUARD
9	10-23248	LOWER DRIVESHAFT GUARD
10	10-29736	UPPER SHORT DRIVESHAFT
11	10-23184	MIDDLE DRIVESHAFT
12	10-19666	LOWER DRIVESHAFT
13	10-29726	INTAKE W/ SHIELD, BUSHING
14	10-17123	CLEVIS
15	10-29306	SPOUT, 8" ROLLED
16	10-19460	HALF CLAMP, 8"
17	10-19147	1/4" CABLE CLAMP
18	10-23268	DRIVESHAFT GUARD HANGER BRACKET, LOWER
19	10-18763	TRACK SHOE
20	10-18762	TRACK STOP
21	10-17160	OIL COVER, 10" HEAD
22	10-17179	OIL BATH PLUG, 3/8
23	10-23178	CHAIN TENSIONER IDLE WHEEL ASSY
24	10-23177	INTERNAL SNAP RING, 1-3/8"
25	10-22821	BEARING
26	10-23955	CHAIN TENSIONER IDLER BRACKET
27	10-23250	FLANGE BEARING HANGER BRACKET
28	10-22946	TIGHTENER SPACER
29	10-23185	ROLLER CHAIN W/ CONN (HEAVY), #80-1HR X 31P
30	10-19323	CONNECTOR LINK (HEAVY), #80HR
31	10-18691	WOOD BEARING, 1-1/4
32	10-18695	FLANGE, 2-HOLE, 1-1/4"
33	10-19567	PILLOW BEARING, 1-1/4
34	10-19770	DRIVESHAFT CONNECTOR, 1-1/4"
35	10-23181	SPROCKET, 80B18 X 1"
36	10-23180	SPROCKET, 80B12 X 1-1/4"
37	10-19250	LIFT CABLE
38	10-19119	DRIVESHAFT CONNECTOR
39	10-19149	1" BUSHING
40	10-19222	1/4" FINE THREAD ZIRK
41	10-17181	CLEVIS PIN
42	10-17383	3610 GRIP CLIP
43	10-19606	KEY, 1/4" X 1-1/2" SQ
44	10-19224	1/4" X 1" WOODRUFF KEY PLAIN
45	10-19225	SETSCREW, 3/8" UNC X 3/8" REGULAR
46	10-29118	SETSCREW, 3/8" X 3/4" GR8 SQ HEAD
47	10-18698	7/16" X 1-1/4" NC BOLT GR 8 PLTD
48	10-18955	3/8" X 1" NC BOLT GR 5 PLTD
49	10-19542	7/16" X 1" NC BOLT GR 5 PLTD
50	10-19545	7/16" X 2-1/4" NC BOLT GR 8 PLTD

TUBE COMPONENTS, 8" X 46 ft

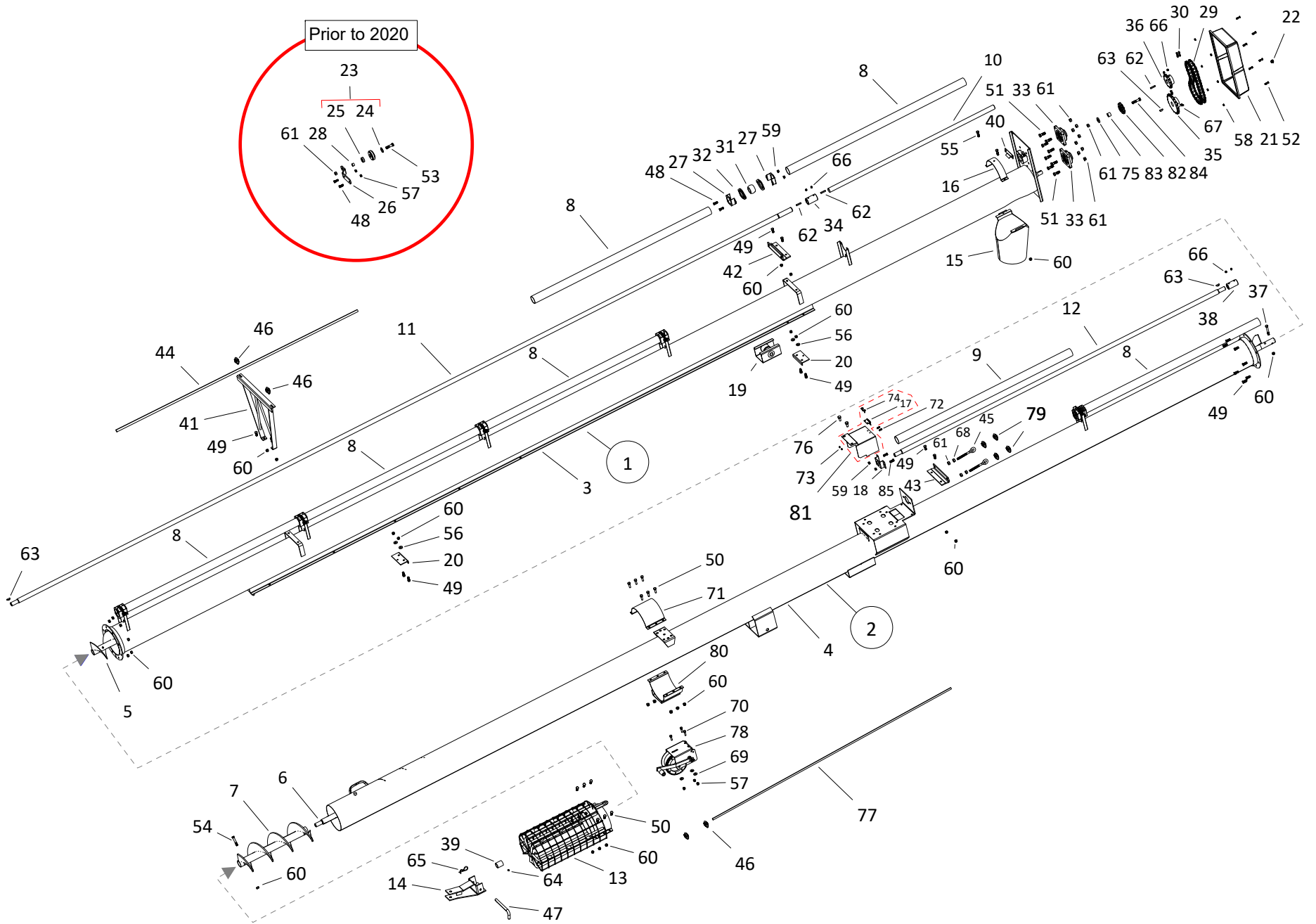


## TUBE COMPONENTS, 8" x 46 ft

ITEM	PART NO.	DESCRIPTION
51	10-19589	1/2" X 1-1/2" NC BOLT GR 8 PLTD
52	10-19988	1/4" X 1" NC BOLT GR 2 PLTD
53	10-27816	1/2" X 2" NC BOLT GR 5 PLTD
54	10-19546	7/16" X 3" NC BOLT GR 5 PLTD
55	10-28744	7/16" X 1-1/2" NC BOLT GR 5 PLTD
56	10-17182	1"OD X 29/64"ID X 10 GA WASHER PLTD
57	10-17402	3/8" NC NYLON LOCKNUT PLTD
58	10-19594	1/4" NC SERRATED FLANGE NUT PLTD
59	10-19596	3/8" NC SERRATED FLANGE NUT PLTD
60	10-19598	7/16" NC NYLON LOCKNUT GR 2 PLTD
61	10-19599	1/2" NC NYLON LOCKNUT GR 2 PLTD
62	10-23617	SHIELD STOP, UPPER
63	10-17401	1/2" FLAT WASHER PLTD
64	10-22936	1/2" X 3/4" NC BOLT GR5 PLTD
65	10-17392	3/8" FLAT WASHER PLTD
66	10-19975	3/8" X 1-1/4" NC BOLT GR5 PLTD
67	10-27454	8" HITCH RING
68	10-19152	WINCH
69	10-28656	#10 X 3/4" BOLT PLTD
70	10-18188	2" BUTT HINGE PLTD
71	10-18185	LARGE FLANGE RIVET
72	10-28657	#10 NYLON LOCKNUT, PLTD
73	10-24076	CHAIN COUPLER GUARD, ASSY
74	10-24100	MNL WINCH 8" TUBE CLAMP
75	200477	80X9T 1/2 BORE IDLER SPROCKET
76	10-24382	IDLER SPROCKET SPACER
77	9900560	1/2" X 2-1/4" NC BOLT GR 5 PLTD
78	10-19540	3/8" X 3/4" NC BOLT GR 5 PLTD

TUBE COMPONENTS, 8" x 51 ft

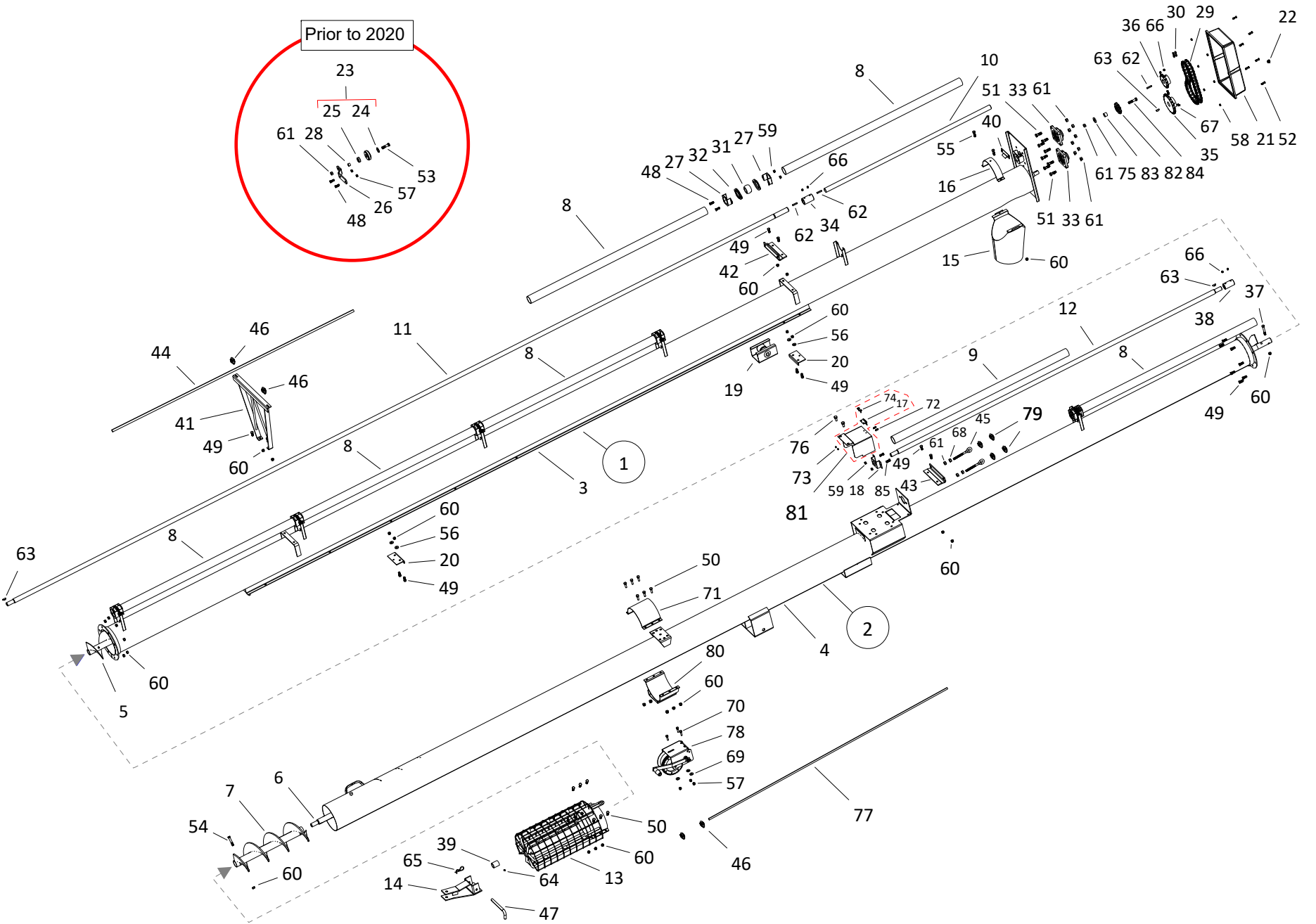
20



## TUBE COMPONENTS, 8" x 51 ft

ITEM	PART NO.	DESCRIPTION
1	10-23153	UPPER TUBE BUNDLE
2	10-23158	LOWER TUBE BUNDLE
3	10-23163	UPPER TUBE ONLY
4	10-23169	LOWER TUBE ONLY
5	200475	UPPER FLIGHT
6	10-29735	LOWER FLIGHT W/ INTAKE FLIGHT, 8"
7	10-18920	INTAKE FLIGHT, 8"
8	10-23614	UPPER DRIVESHAFT GUARD
9	10-23245	LOWER DRIVESHAFT GUARD
10	10-29736	UPPER SHORT DRIVESHAFT
11	10-23184	MIDDLE DRIVESHAFT
12	10-23230	LOWER DRIVESHAFT
13	10-29726	INTAKE W/ SHIELD, BUSHING
14	10-17123	CLEVIS
15	10-29306	SPOUT, 8" ROLLED
16	10-19460	HALF CLAMP, 8"
17	10-18188	2" BUTT HINGE PLTD
18	10-23268	DRIVESHAFT GUARD HANGER BRACKET, LOWER
19	10-18763	TRACK SHOE
20	10-18762	TRACK STOP
21	10-17160	OIL COVER, 10" HEAD
22	10-17179	OIL BATH PLUG, 3/8
23	10-23178	CHAIN TENSIONER IDLE WHEEL ASSY
24	10-23177	INTERNAL SNAP RING, 1-3/8"
25	10-22821	BEARING
26	10-23955	CHAIN TENSIONER IDLER BRACKET
27	10-23250	FLANGE BEARING HANGER BRACKET
28	10-22946	TIGHTENER SPACER
29	10-23185	ROLLER CHAIN W/ CONN (HEAVY), #80-1HR X 31P
30	10-19323	CONNECTOR LINK (HEAVY), #80HR
31	10-18691	WOOD BEARING, 1-1/4
32	10-18695	FLANGE, 2-HOLE, 1-1/4"
33	10-19567	PILLOW BEARING, 1-1/4
34	10-19770	DRIVESHAFT CONNECTOR, 1-1/4"
35	10-23181	SPROCKET, 80B18 X 1"
36	10-23180	SPROCKET, 80B12 X 1-1/4"
37	10-19545	7/16" X 2-1/4" NC BOLT GR 8 PLTD
38	10-19119	DRIVESHAFT CONNECTOR
39	10-19149	1" BUSHING
40	10-23617	SHIELD STOP, UPPER
41	10-19324	REGULAR TRUSS BRACKET
42	10-27863	CABLE ANCHOR
43	10-27960	TRUSS CABLE ANCHOR BRACKET
44	10-24030	TRUSS CABLE
45	10-19331	EYE BOLT/NUT 1/2" X5"
46	10-19147	1/4" CABLE CLAMP
47	10-17181	CLEVIS PIN
48	10-18955	3/8" X 1" NC BOLT GR 5 PLTD
49	10-19542	7/16" X 1" NC BOLT GR 5 PLTD
50	10-18698	7/16" X 1-1/4" NC BOLT GR 8 PLTD

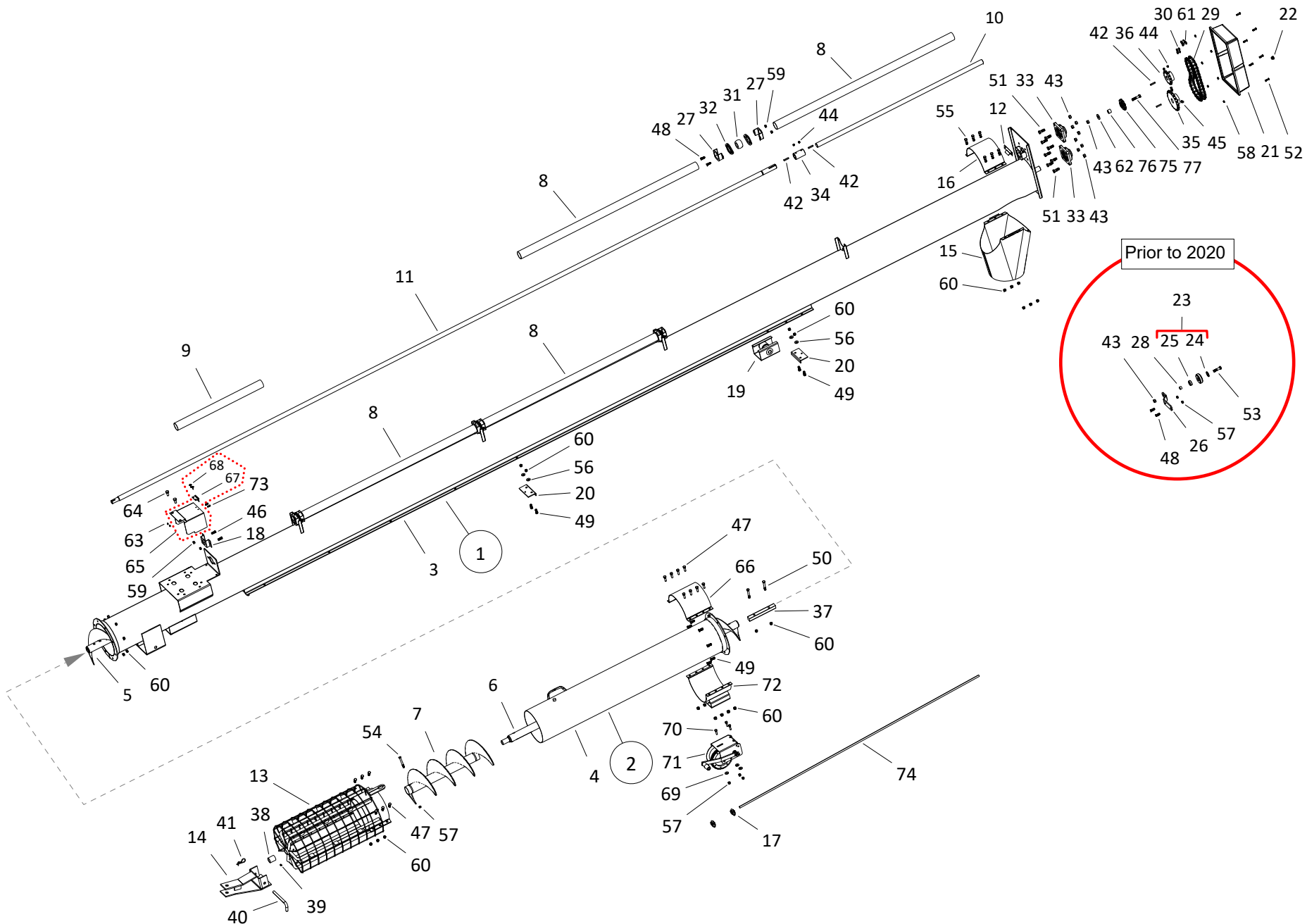
TUBE COMPONENTS, 8" x 51 ft



## TUBE COMPONENTS, 8" x 51 ft

ITEM	PART NO.	DESCRIPTION
51	10-19589	1/2" X 1-1/2" NC BOLT GR 8 PLTD
52	10-19988	1/4" X 1" NC BOLT GR 2 PLTD
53	10-27816	1/2" X 2" NC BOLT GR 5 PLTD
54	10-19546	7/16" X 3" NC BOLT GR 5 PLTD
55	10-28744	7/16" X 1-1/2" NC BOLT GR 5 PLTD
56	10-17182	1"OD X 29/64"ID X 10 GA WASHER PLTD
57	10-17402	3/8" NC NYLON LOCKNUT PLTD
58	10-19594	1/4" NC SERRATED FLANGE NUT PLTD
59	10-19596	3/8" NC SERRATED FLANGE NUT PLTD
60	10-19598	7/16" NC NYLON LOCKNUT GR 2 PLTD
61	10-19599	1/2" NC NYLON LOCKNUT GR 2 PLTD
62	10-19606	KEY, 1/4" X 1-1/2" SQ
63	10-19224	1/4" X 1" WOODRUFF KEY PLAIN
64	10-19222	1/4" FINE THREAD ZIRK
65	10-17383	3610 GRIP CLIP
66	10-19225	SETSCREW, 3/8" UNC X 3/8" REGULAR
67	10-29118	SETSCREW, 3/8" X 3/4" GR8 SQ HEAD
68	10-19602	1/2" NC HEX NUT PLTD
69	10-17392	3/8" FLAT WASHER PLTD
70	10-19975	3/8" X 1-1/4" NC BOLT GR5 PLTD
71	10-27454	8" HITCH RING
72	10-28656	#10 X 3/4" BOLT PLTD
73	10-28657	#10 NYLON LOCKNUT PLTD
74	10-18185	LARGE FLANGE RIVET
75	10-17401	1/2" FLAT WASHER PLTD
76	10-22936	1/2" X 3/4" NC BOLT GR5 PLTD
77	10-27963	WINCH CABLE, 1/4" x 55'
78	10-19152	WINCH
79	10-19333	5/16" CABLE CLAMP
80	10-24100	MNL WINCH 8" TUBE CLAMP
81	10-24076	CHAIN COUPLER GUARD, ASSY
82	200477	80X9T 1/2 BORE IDLER SPROCKET
83	10-24382	IDLER SPROCKET SPACER
84	9900560	1/2" X 2-1/4" NC BOLT GR 5 PLTD
85	10-19540	3/8" X 3/4" NC BOLT GR 5 PLTD

# TUBE COMPONENTS, 10" x 31 ft

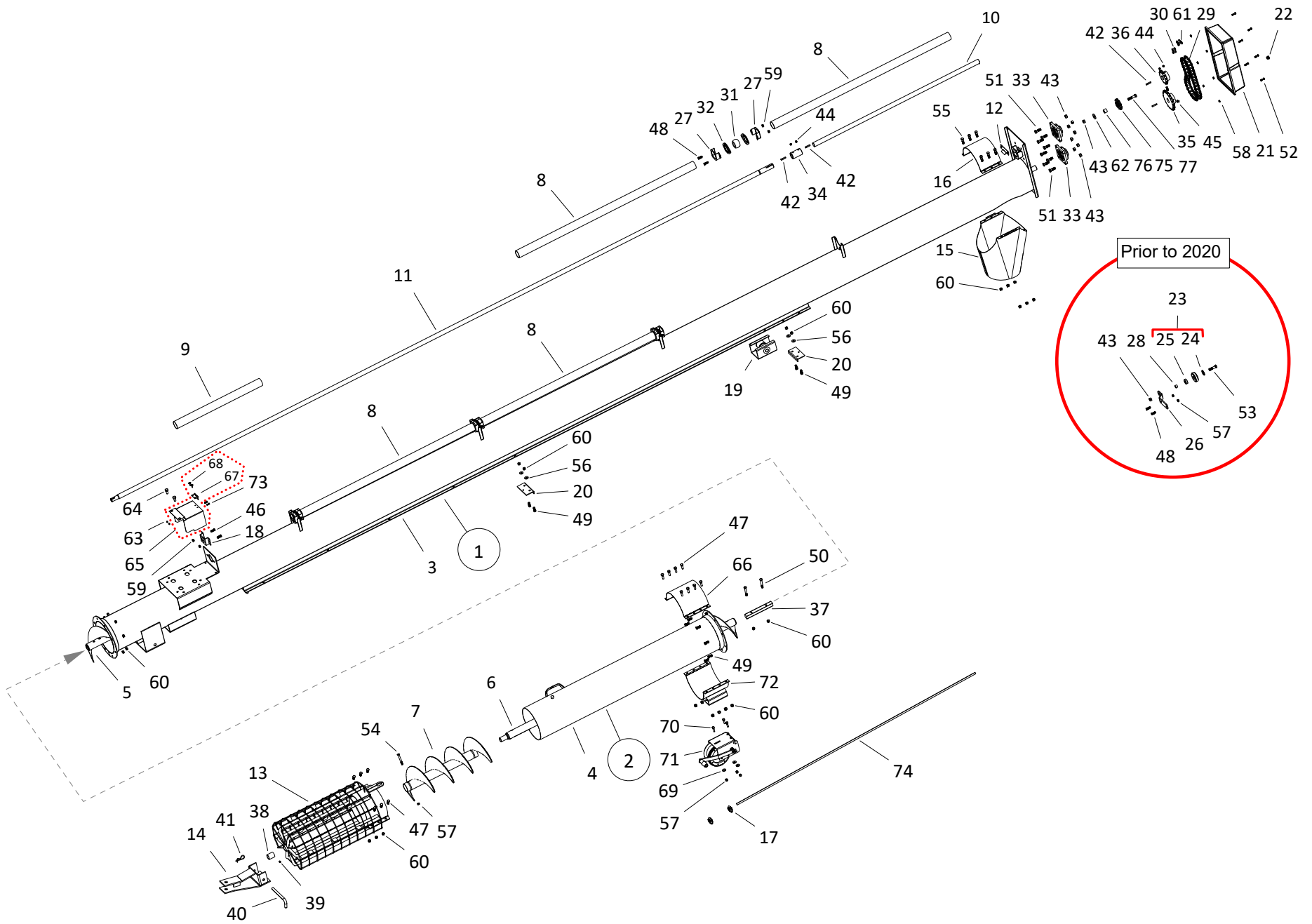




## TUBE COMPONENTS, 10" x 31 ft

ITEM	PART NO.	DESCRIPTION
1	10-23150	UPPER TUBE BUNDLE
2	10-23159	LOWER TUBE BUNDLE
3	10-23164	UPPER TUBE ONLY
4	10-19735	LOWER TUBE ONLY
5	10-23183	UPPER FLIGHT, 10"
6	10-23186	LOWER FLIGHT W/ INTAKE FLIGHT, 10"
7	10-17535	INTAKE FLIGHT, 10"
8	10-23614	UPPER DRIVESHAFT GUARD
9	10-23175	LOWER DRIVESHAFT GUARD
10	10-29736	UPPER SHORT DRIVESHAFT
11	10-23182	LOWER DRIVESHAFT
12	10-23617	SHIELD STOP, UPPER
13	10-29738	INTAKE W/ SHIELD, BUSHING
14	10-17180	CLEVIS
15	200568RD	2-PIECE SPOUT
16	10-27235	10" HITCH RING
17	10-19147	1/4" CABLE CLAMP
18	10-23268	DRIVESHAFT GUARD HANGER BRACKET, LOWER
19	10-18763	TRACK SHOE
20	10-18762	TRACK STOP
21	10-17160	OIL COVER, 10" HEAD
22	10-17179	OIL BATH PLUG, 3/8
23	10-23178	CHAIN TENSIONER IDLE WHEEL ASSY
24	10-23177	INTERNAL SNAP RING, 1-3/8"
25	10-22821	BEARING
26	10-23955	CHAIN TENSIONER IDLER BRACKET
27	10-23250	FLANGE BEARING HANGER BRACKET
28	10-22946	TIGHTENER SPACER
29	10-23185	ROLLER CHAIN W/ CONN (HEAVY), #80-1HR X 31P
30	10-19323	CONNECTOR LINK (HEAVY), #80HR
31	10-18691	WOOD BEARING, 1-1/4
32	10-18695	FLANGE, 2-HOLE, 1-1/4"
33	10-19567	PILLOW BEARING, 1-1/4
34	10-19770	DRIVESHAFT CONNECTOR, 1-1/4"
35	10-23831	80B19 X 1-1/4 SPROCKET
36	10-23180	SPROCKET, 80B12 X 1-1/4"
37	10-21690	FLIGHT CONNECTING SHAFT
38	10-19776	BUSHING, 1-1/4"
39	10-19222	1/4" FINE THREAD ZIRK
40	10-17181	CLEVIS PIN
41	10-17383	3610 GRIP CLIP
42	10-19606	KEY, 1/4" X 1-1/2" SQ
43	10-19599	1/2" NC NYLON LOCKNUT GR 2 PLTD
44	10-19225	SETSCREW, 3/8" UNC X 3/8" REGULAR
45	10-29118	SETSCREW, 3/8" X 3/4" GR8 SQ HEAD
46	10-19540	3/8" X 3/4" NC BOLT GR 5 PLTD
47	10-18698	7/16" X 1-1/4" NC BOLT GR 8 PLTD
48	10-18955	3/8" X 1" NC BOLT GR 5 PLTD
49	10-19542	7/16" X 1" NC BOLT GR 5 PLTD
50	10-19546	7/16" X 3" NC BOLT GR 5 PLTD

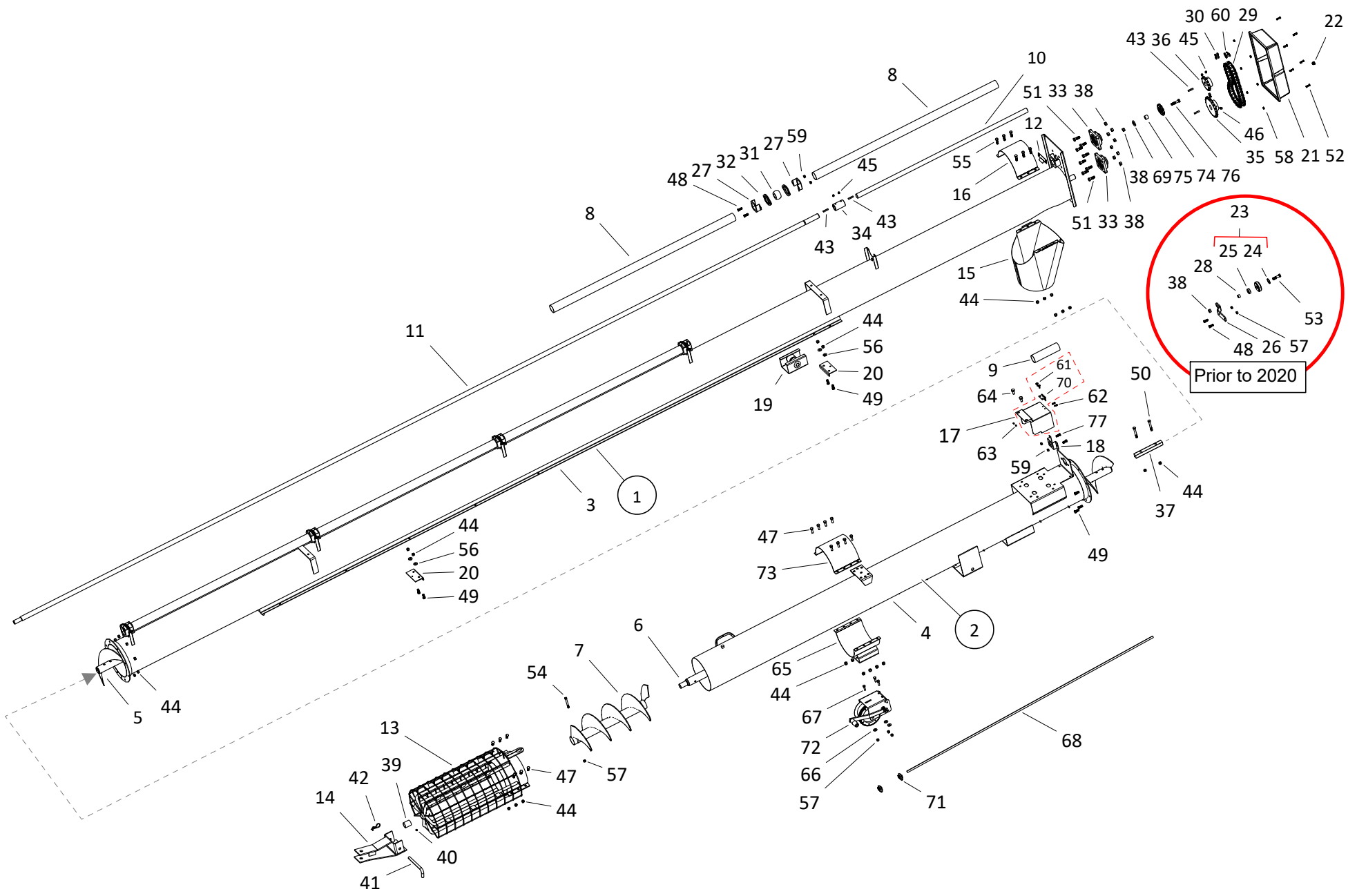
TUBE COMPONENTS, 10" x 31 ft



## TUBE COMPONENTS, 10" x 31 ft

ITEM	PART NO.	DESCRIPTION
51	10-19589	1/2" X 1-1/2" NC BOLT GR 8 PLTD
52	10-19988	1/4" X 1" NC BOLT GR 2 PLTD
53	10-27816	1/2" X 2" NC BOLT GR 5 PLTD
54	10-27981	3/8" X 3" NC BOLT GR 5 PLTD
55	10-28744	7/16" X 1-1/2" NC BOLT GR 5 PLTD
56	10-17182	1"OD X 29/64"ID X 10 GA WASHER PLTD
57	10-17402	3/8" NC NYLON LOCKNUT PLTD
58	10-19594	1/4" NC SERRATED FLANGE NUT PLTD
59	10-19596	3/8" NC SERRATED FLANGE NUT PLTD
60	10-19598	7/16" NC NYLON LOCKNUT GR 2 PLTD
61	10-17400	#80 HALF LINK
62	10-17401	1/2" FLAT WASHER PLTD
63	10-28657	#10 NYLON LOCKNUT PLTD
64	10-22936	1/2" X 3/4" NC BOLT GR5
65	10-24076	CHAIN COUPLER GUARD, ASSY
66	10-29773	10" HALF CLAMP (8" WIDE)
67	10-18188	2" BUTT HINGE PLTD
68	10-18185	LARGE FLANGE RIVET
69	10-17392	3/8" FLAT WASHER PLTD
70	10-19975	3/8" X 1-1/4" NC BOLT GR5 PLTD
71	10-19152	WINCH
72	10-24099	MNL WINCH 10" TUBE CLAMP
73	10-28656	#10 X 3/4" BOLT PLTD
74	10-19248	LIFT CABLE
75	200477	80X9T 1/2 BORE IDLER SPROCKET
76	10-24382	IDLER SPROCKET SPACER
77	9900560	1/2" X 2-1/4" NC BOLT GR 5 PLTD

TUBE COMPONENTS, 10" x 36 ft

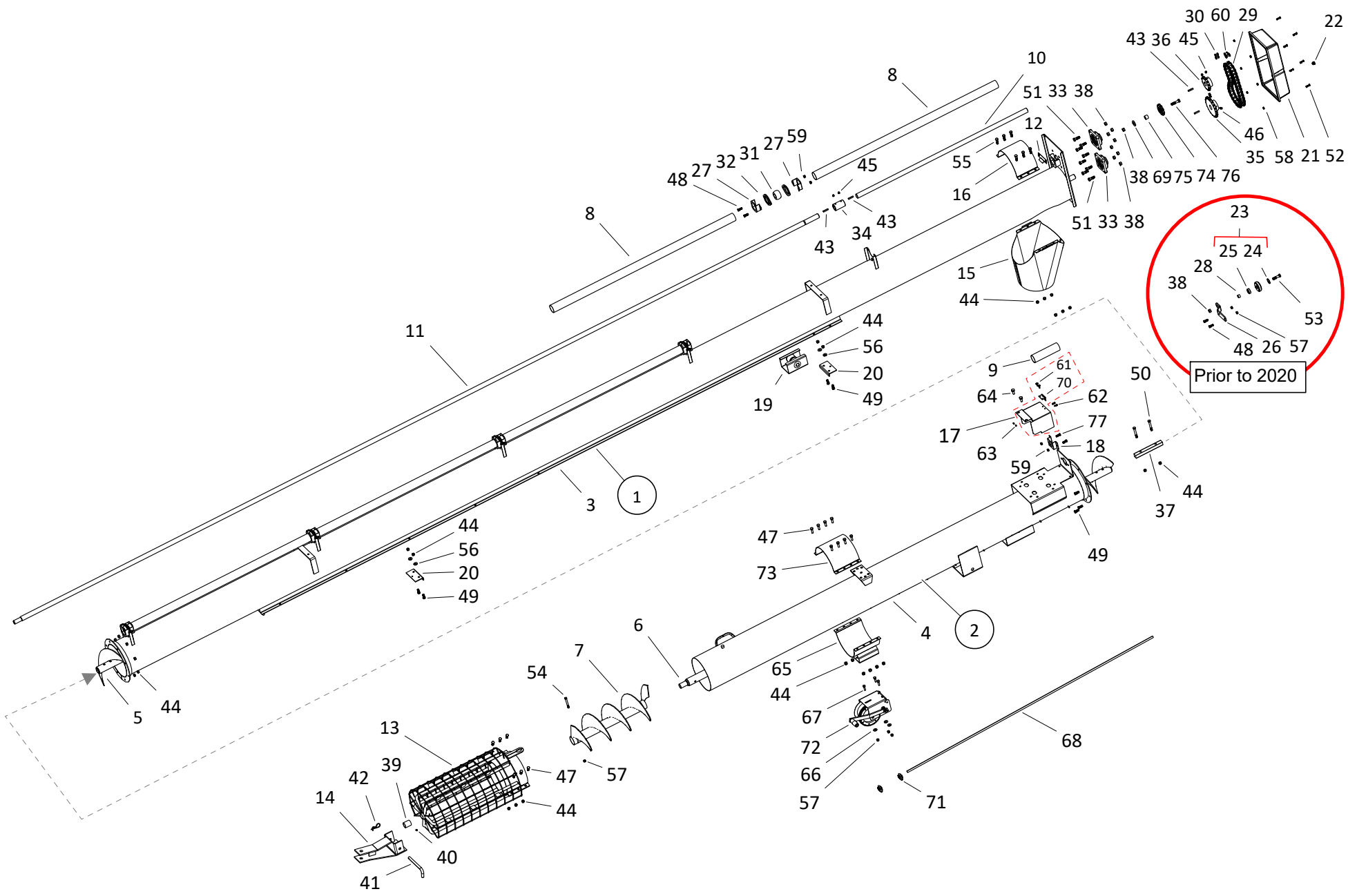


## TUBE COMPONENTS, 10" x 36 ft

ITEM	PART NO.	DESCRIPTION
1	10-23151	UPPER TUBE BUNDLE
2	10-23160	LOWER TUBE BUNDLE
3	10-23165	UPPER TUBE ONLY
4	10-23170	LOWER TUBE ONLY
5	10-23183	UPPER FLIGHT, 10"
6	10-23187	LOWER FLIGHT W/ INTAKE FLIGHT, 10"
7	10-17535	INTAKE FLIGHT, 10"
8	10-23614	UPPER DRIVESHAFT GUARD
9	10-23246	LOWER DRIVESHAFT GUARD
10	10-29736	UPPER SHORT DRIVESHAFT
11	10-23184	MIDDLE DRIVESHAFT
12	10-23617	SHIELD STOP, UPPER
13	10-29738	INTAKE W/ SHIELD, BUSHING
14	10-17180	CLEVIS
15	200568RD	2-PIECE SPOUT
16	10-27235	10" HITCH RING
17	10-24076	CHAIN COUPLER GUARD, ASSY
18	10-23268	DRIVESHAFT GUARD HANGER BRACKET, LOWER
19	10-18763	TRACK SHOE
20	10-18762	TRACK STOP
21	10-17160	OIL COVER, 10" HEAD
22	10-17179	OIL BATH PLUG, 3/8
23	10-23178	CHAIN TENSIONER IDLE WHEEL ASSY
24	10-23177	INTERNAL SNAP RING, 1-3/8"
25	10-22821	BEARING
26	10-23955	CHAIN TENSIONER IDLER BRACKET
27	10-23250	FLANGE BEARING HANGER BRACKET
28	10-22946	TIGHTENER SPACER
29	10-23185	ROLLER CHAIN W/ CONN (HEAVY), #80-1HR X 31P
30	10-19323	CONNECTOR LINK (HEAVY), #80HR
31	10-18691	WOOD BEARING, 1-1/4
32	10-18695	FLANGE, 2-HOLE, 1-1/4"
33	10-19567	PILLOW BEARING, 1-1/4
34	10-19770	DRIVESHAFT CONNECTOR, 1-1/4"
35	10-23831	80B19 X 1-1/4 SPROCKET
36	10-23180	SPROCKET, 80B12 X 1-1/4"
37	10-21690	FLIGHT CONNECTING SHAFT
38	10-19599	1/2" NC NYLON LOCKNUT GR 2 PLTD
39	10-19776	BUSHING, 1-1/4"
40	10-19222	1/4" FINE THREAD ZIRK
41	10-17181	CLEVIS PIN
42	10-17383	3610 GRIP CLIP
43	10-19606	KEY, 1/4" X 1-1/2" SQ
44	10-19598	7/16" NC NYLON LOCKNUT GR 2 PLTD
45	10-19225	SETSCREW, 3/8" UNC X 3/8" REGULAR
46	10-29118	SETSCREW, 3/8" X 3/4" GR8 SQ HEAD
47	10-18698	7/16" X 1-1/4" NC BOLT GR 8 PLTD
48	10-18955	3/8" X 1" NC BOLT GR 5 PLTD
49	10-19542	7/16" X 1" NC BOLT GR 5 PLTD
50	10-19546	7/16" X 3" NC BOLT GR 5 PLTD

TUBE COMPONENTS, 10" x 36 ft

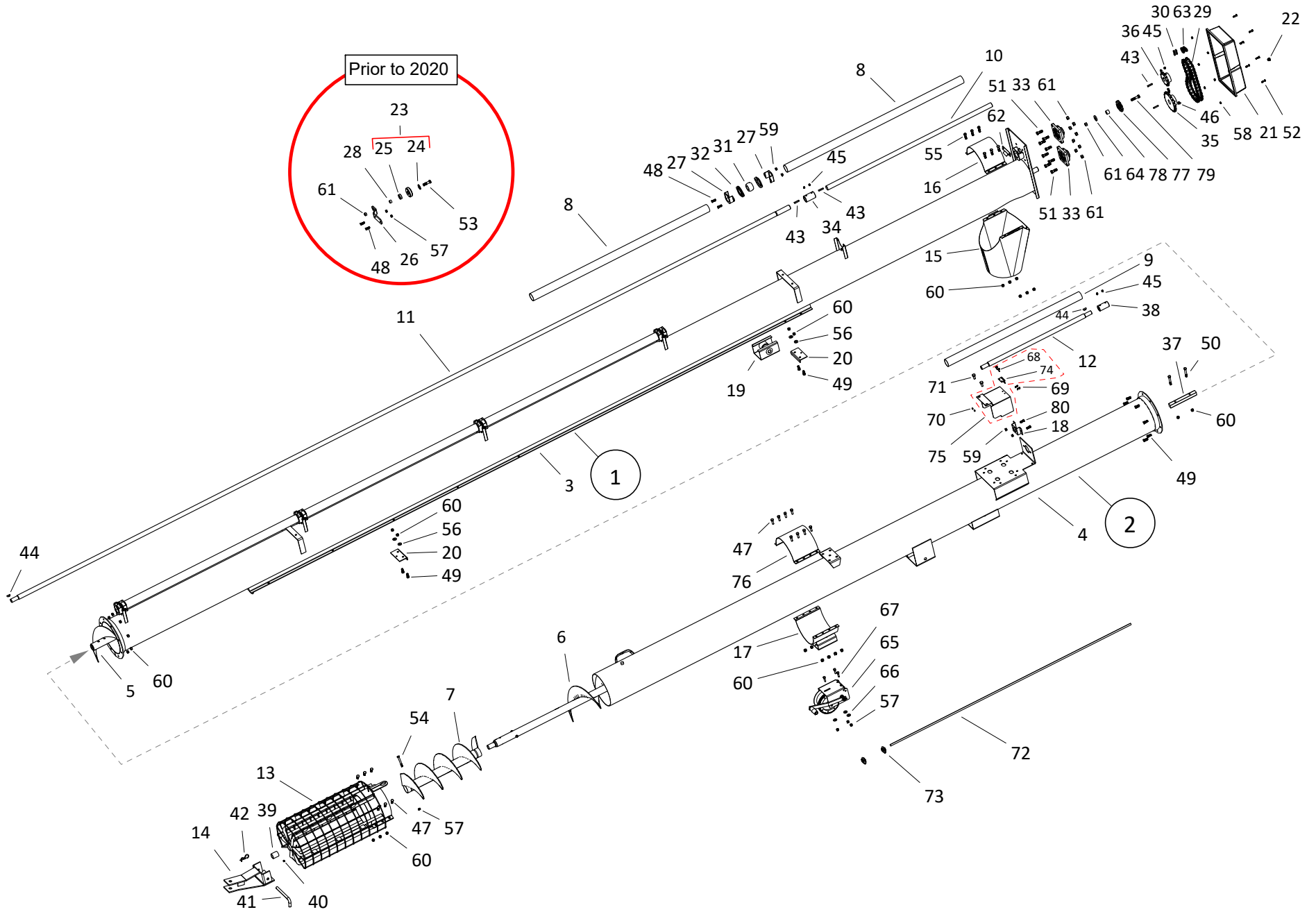
30



## TUBE COMPONENTS, 10" x 36 ft

ITEM	PART NO.	DESCRIPTION
51	10-19589	1/2" X 1-1/2" NC BOLT GR 8 PLTD
52	10-19988	1/4" X 1" NC BOLT GR 2 PLTD
53	10-27816	1/2" X 2" NC BOLT GR 5 PLTD
54	10-27981	3/8" X 3" NC BOLT GR 5 PLTD
55	10-28744	7/16" X 1-1/2" NC BOLT GR 5 PLTD
56	10-17182	1"OD X 29/64"ID X 10 GA WASHER PLTD
57	10-17402	3/8" NC NYLON LOCKNUT PLTD
58	10-19594	1/4" NC SERRATED FLANGE NUT PLTD
59	10-19596	3/8" NC SERRATED FLANGE NUT PLTD
60	10-17400	#80 HALF LINK
61	10-18185	LARGE FLANGE RIVET
62	10-28656	#10 X 3/4" BOLT PLTD
63	10-28657	#10 NYLON LOCKNUT PLTD
64	10-22936	1/2" X 3/4" NC BOLT GR5
65	10-24099	MNL WINCH 10" TUBE CLAMP
66	10-17392	3/8" FLAT WASHER PLTD
67	10-19975	3/8" X 1-1/4" NC BOLT GR5 PLTD
68	4503065	WINCH CABLE
69	10-17401	1/2" FLAT WASHER PLTD
70	10-18188	2" BUTT HINGE PLTD
71	10-19147	1/4" CABLE CLAMP
72	10-19152	WINCH
73	10-29773	10" HALF CLAMP (8" WIDE)
74	200477	80X9T 1/2 BORE IDLER SPROCKET
75	10-24382	IDLER SPROCKET SPACER
76	9900560	1/2" X 2-1/4" NC BOLT GR 5 PLTD
77	10-19540	3/8" X 3/4" NC BOLT GR 5 PLTD

TUBE COMPONENTS, 10" X 41 ft



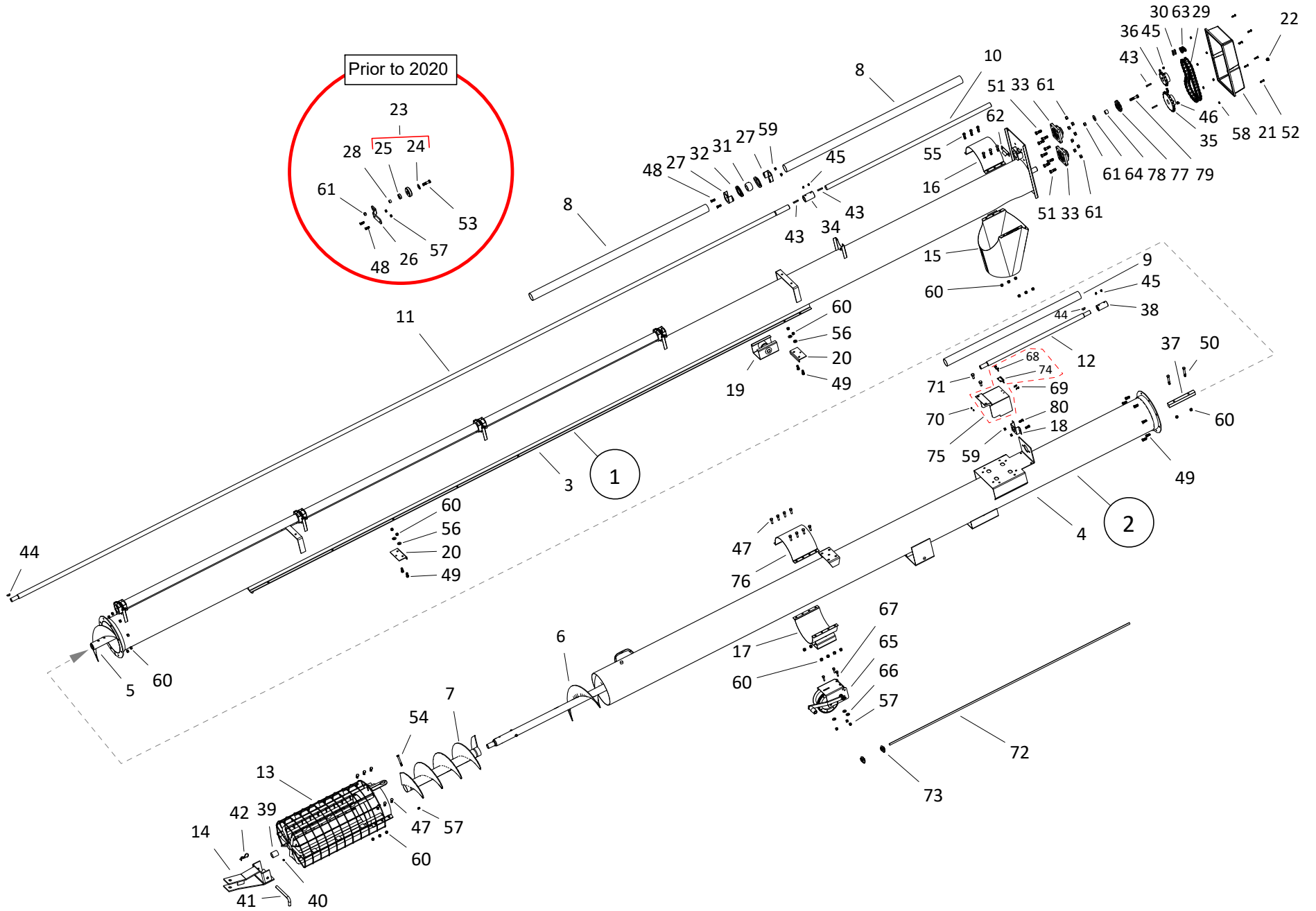


## TUBE COMPONENTS, 10" x 41 ft

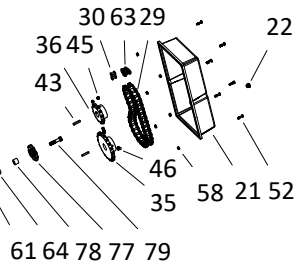
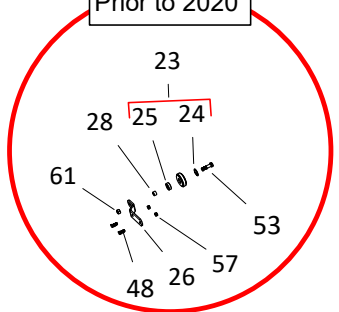
ITEM	PART NO.	DESCRIPTION
1	10-23151	UPPER TUBE BUNDLE
2	10-23161	LOWER TUBE BUNDLE
3	10-23165	UPPER TUBE ONLY
4	10-23171	LOWER TUBE ONLY
5	10-23183	UPPER FLIGHT, 10"
6	10-23188	LOWER FLIGHT W/ INTAKE FLIGHT, 10"
7	10-17535	INTAKE FLIGHT, 10"
8	10-23614	UPPER DRIVESHAFT GUARD
9	10-23247	LOWER DRIVESHAFT GUARD
10	10-29736	UPPER SHORT DRIVESHAFT
11	10-23184	MIDDLE DRIVESHAFT
12	10-23231	LOWER DRIVESHAFT
13	10-29738	INTAKE W/ SHIELD, BUSHING
14	10-17180	CLEVIS
15	200568RD	2-PIECE SPOUT
16	10-27235	10" HITCH RING
17	10-24099	MNL WINCH 10" TUBE CLAMP
18	10-23268	DRIVESHAFT GUARD HANGER BRACKET, LOWER
19	10-18763	TRACK SHOE
20	10-18762	TRACK STOP
21	10-17160	OIL COVER, 10" HEAD
22	10-17179	OIL BATH PLUG, 3/8
23	10-23178	CHAIN TENSIONER IDLE WHEEL ASSY
24	10-23177	INTERNAL SNAP RING, 1-3/8"
25	10-22821	BEARING
26	10-23955	CHAIN TENSIONER IDLER BRACKET
27	10-23250	FLANGE BEARING HANGER BRACKET
28	10-22946	TIGHTENER SPACER
29	10-23185	ROLLER CHAIN W/ CONN (HEAVY), #80-1HR X 31P
30	10-19323	CONNECTOR LINK (HEAVY), #80HR
31	10-18691	WOOD BEARING, 1-1/4
32	10-18695	FLANGE, 2-HOLE, 1-1/4"
33	10-19567	PILLOW BEARING, 1-1/4
34	10-19770	DRIVESHAFT CONNECTOR, 1-1/4"
35	10-23831	80B19 X 1-1/4 SPROCKET
36	10-23180	SPROCKET, 80B12 X 1-1/4"
37	10-21690	FLIGHT CONNECTING SHAFT
38	10-19119	DRIVESHAFT CONNECTOR
39	10-19776	BUSHING, 1-1/4"
40	10-19222	1/4" FINE THREAD ZIRK
41	10-17181	CLEVIS PIN
42	10-17383	3610 GRIP CLIP
43	10-19606	KEY, 1/4" X 1-1/2" SQ
44	10-19224	1/4" X 1" WOODRUFF KEY PLAIN
45	10-19225	SETSCREW, 3/8" UNC X 3/8" REGULAR
46	10-29118	SETSCREW, 3/8" X 3/4" GR8 SQ HEAD
47	10-18698	7/16" X 1-1/4" NC BOLT GR 8 PLTD
48	10-18955	3/8" X 1" NC BOLT GR 5 PLTD
49	10-19542	7/16" X 1" NC BOLT GR 5 PLTD
50	10-19546	7/16" X 3" NC BOLT GR 5 PLTD

TUBE COMPONENTS, 10" X 41 ft

34



Prior to 2020

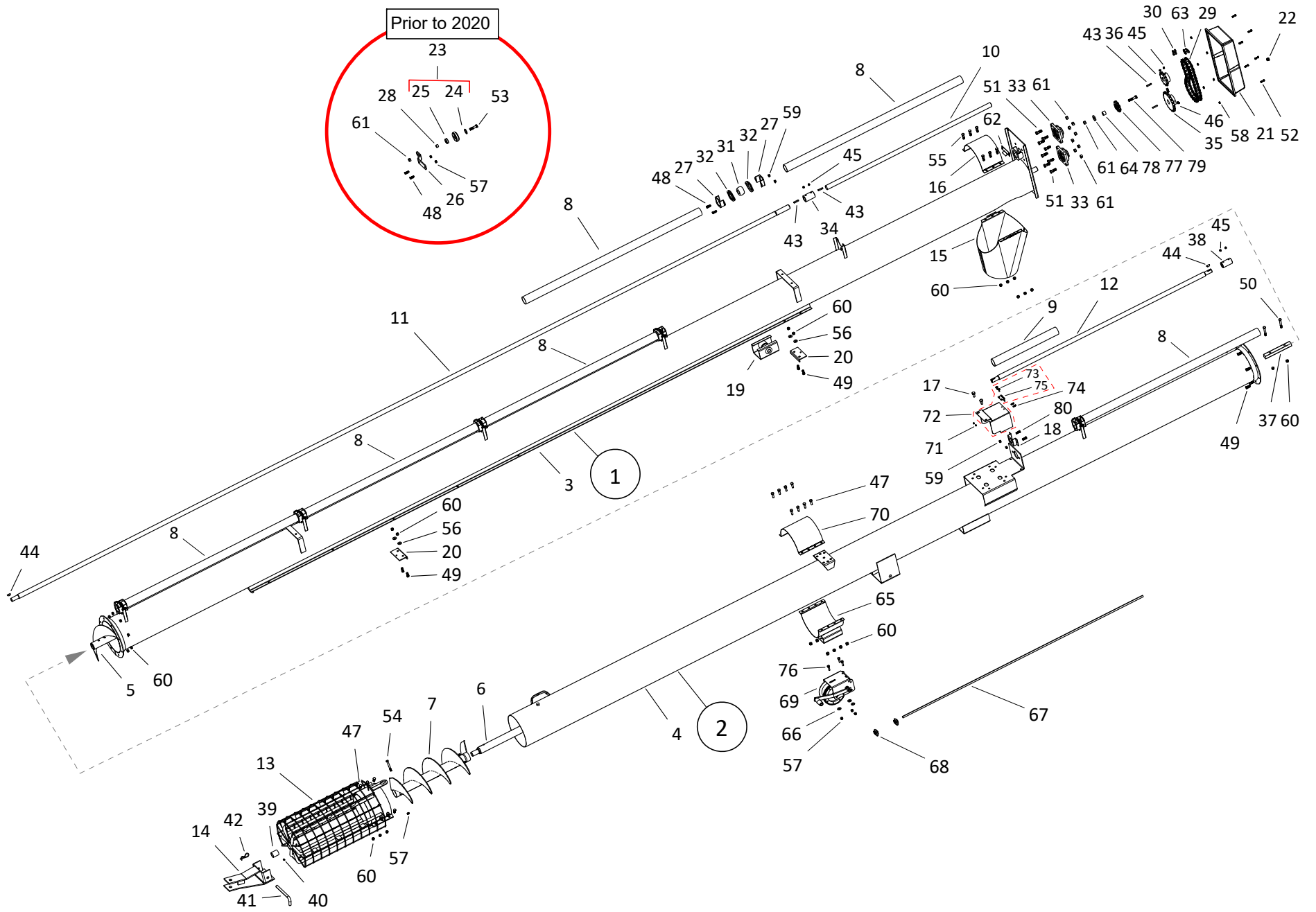


## TUBE COMPONENTS, 10" x 41 ft

ITEM	PART NO.	DESCRIPTION
51	10-19589	1/2" X 1-1/2" NC BOLT GR 8 PLTD
52	10-19988	1/4" X 1" NC BOLT GR 2 PLTD
53	10-27816	1/2" X 2" NC BOLT GR 5 PLTD
54	10-27981	3/8" X 3" NC BOLT GR 5 PLTD
55	10-28744	7/16" X 1-1/2" NC BOLT GR 5 PLTD
56	10-17182	1"OD X 29/64"ID X 10 GA WASHER PLTD
57	10-17402	3/8" NC NYLON LOCKNUT PLTD
58	10-19594	1/4" NC SERRATED FLANGE NUT PLTD
59	10-19596	3/8" NC SERRATED FLANGE NUT PLTD
60	10-19598	7/16" NC NYLON LOCKNUT GR 2 PLTD
61	10-19599	1/2" NC NYLON LOCKNUT GR 2 PLTD
62	10-23617	SHIELD STOP, UPPER
63	10-17400	#80 HALF LINK
64	10-17401	1/2" FLAT WASHER PLTD
65	10-19152	WINCH
66	10-17392	3/8" FLAT WASHER PLTD
67	10-19975	3/8" X 1-1/4" NC BOLT GR5 PLTD
68	10-18185	LARGE FLANGE RIVET
69	10-28656	#10 X 3/4" BOLT PLTD
70	10-28657	#10 NYLON LOCKNUT PLTD
71	10-22936	1/2" X 3/4" NC BOLT GR5
72	10-19249	LIFT CABLE
73	10-19147	1/4" CABLE CLAMP
74	10-18188	2" BUTT HINGE PLTD
75	10-24076	CHAIN COUPLER GUARD, ASSY
76	10-29773	10" HALF CLAMP (8" WIDE)
77	200477	80X9T 1/2 BORE IDLER SPROCKET
78	10-24382	IDLER SPROCKET SPACER
79	9900560	1/2" X 2-1/4" NC BOLT GR 5 PLTD
80	10-19540	3/8" X 3/4" NC BOLT GR 5 PLTD

TUBE COMPONENTS 10" X 46 ft

36

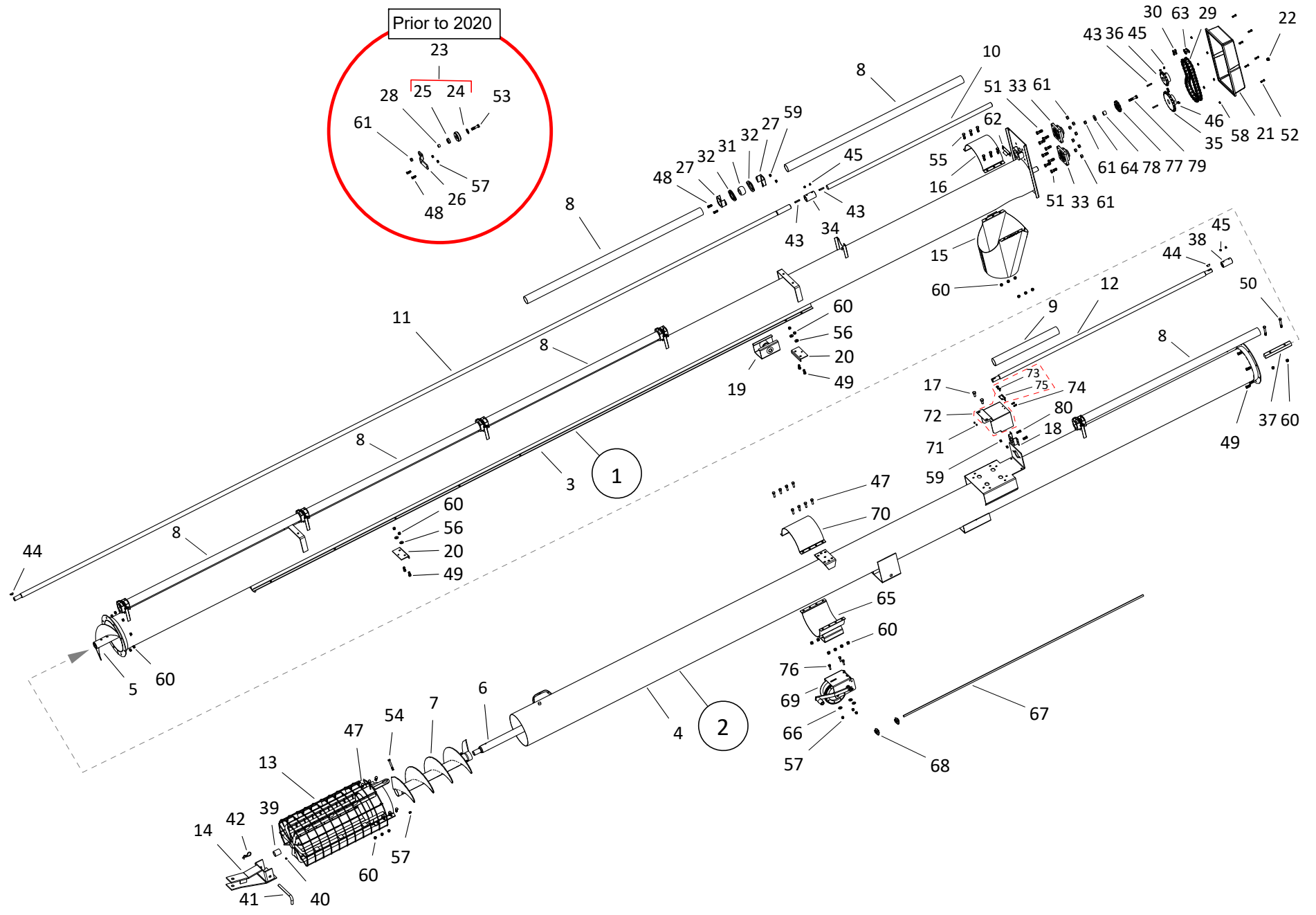


## TUBE COMPONENTS 10" X 46 ft

ITEM	PART NO.	DESCRIPTION
1	10-23151	UPPER TUBE BUNDLE
2	10-23717	LOWER TUBE BUNDLE
3	10-23165	UPPER TUBE ONLY
4	10-23727	LOWER TUBE ONLY
5	10-23183	UPPER FLIGHT, 10"
6	10-23728	LOWER FLIGHT W/ INTAKE FLIGHT, 10-46
7	10-17535	INTAKE FLIGHT, 10"
8	10-23614	UPPER DRIVESHAFT GUARD
9	10-23248	LOWER DRIVESHAFT GUARD
10	10-29736	UPPER SHORT DRIVESHAFT
11	10-23184	MIDDLE DRIVESHAFT
12	10-19666	LOWER DRIVESHAFT
13	10-29738	INTAKE W/ SHIELD, BUSHING
14	10-17180	CLEVIS
15	200568RD	2-PIECE SPOUT
16	10-27235	10" HITCH RING
17	10-22936	1/2" X 3/4" NC BOLT GR5
18	10-23268	DRIVESHAFT GUARD HANGER BRACKET, LOWER
19	10-18763	TRACK SHOE
20	10-18762	TRACK STOP
21	10-17160	OIL COVER, 10" HEAD
22	10-17179	OIL BATH PLUG, 3/8
23	10-23178	CHAIN TENSIONER IDLE WHEEL ASSY
24	10-23177	INTERNAL SNAP RING, 1-3/8"
25	10-22821	BEARING
26	10-23955	CHAIN TENSIONER IDLER BRACKET
27	10-23250	FLANGE BEARING HANGER BRACKET
28	10-22946	TIGHTENER SPACER
29	10-23185	ROLLER CHAIN W/ CONN (HEAVY), #80-1HR X 31P
30	10-19323	CONNECTOR LINK (HEAVY), #80HR
31	10-18691	WOOD BEARING, 1-1/4
32	10-18695	FLANGE, 2-HOLE, 1-1/4"
33	10-19567	PILLOW BEARING, 1-1/4
34	10-19770	DRIVESHAFT CONNECTOR, 1-1/4"
35	10-23831	80B19 X 1-1/4 SPROCKET
36	10-23180	SPROCKET, 80B12 X 1-1/4"
37	10-21690	FLIGHT CONNECTING SHAFT
38	10-19119	DRIVESHAFT CONNECTOR
39	10-19776	BUSHING, 1-1/4"
40	10-19222	1/4" FINE THREAD ZIRK
41	10-17181	CLEVIS PIN
42	10-17383	3610 GRIP CLIP
43	10-19606	KEY, 1/4" X 1-1/2" SQ
44	10-19224	1/4" X 1" WOODRUFF KEY PLAIN
45	10-19225	SETSCREW, 3/8" UNC X 3/8" REGULAR
46	10-29118	SETSCREW, 3/8" X 3/4" GR8 SQ HEAD
47	10-18698	7/16" X 1-1/4" NC BOLT GR 8 PLTD
48	10-18955	3/8" X 1" NC BOLT GR 5 PLTD
49	10-19542	7/16" X 1" NC BOLT GR 5 PLTD
50	10-19546	7/16" X 3" NC BOLT GR 5 PLTD

TUBE COMPONENTS 10" X 46 ft

38

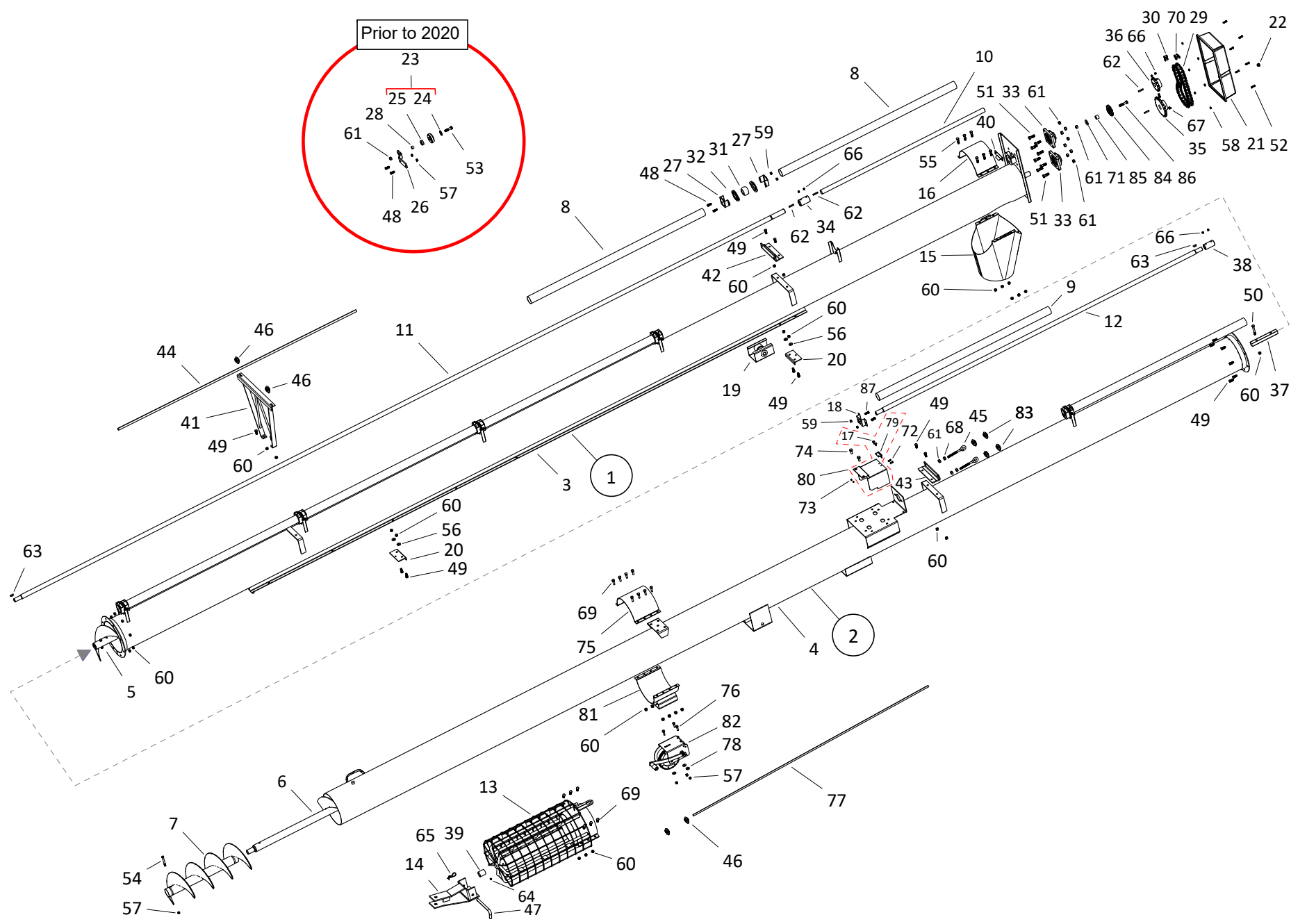


## TUBE COMPONENTS 10" X 46 ft

ITEM	PART NO.	DESCRIPTION
51	10-19589	1/2" X 1-1/2" NC BOLT GR 8 PLTD
52	10-19988	1/4" X 1" NC BOLT GR 2 PLTD
53	10-27816	1/2" X 2" NC BOLT GR 5 PLTD
54	10-27981	3/8" X 3" NC BOLT GR 5 PLTD
55	10-28744	7/16" X 1-1/2" NC BOLT GR 5 PLTD
56	10-17182	1"OD X 29/64"ID X 10 GA WASHER PLTD
57	10-17402	3/8" NC NYLON LOCKNUT PLTD
58	10-19594	1/4" NC SERRATED FLANGE NUT PLTD
59	10-19596	3/8" NC SERRATED FLANGE NUT PLTD
60	10-19598	7/16" NC NYLON LOCKNUT GR 2 PLTD
61	10-19599	1/2" NC NYLON LOCKNUT GR 2 PLTD
62	10-23617	SHIELD STOP, UPPER
63	10-17400	#80 HALF LINK
64	10-17401	1/2" FLAT WASHER PLTD
65	10-24099	MNL WINCH 10" TUBE CLAMP
66	10-17392	3/8" FLAT WASHER PLTD
67	10-19250	LIFT CABLE
68	10-19147	1/4" CABLE CLAMP
69	10-19152	WINCH
70	10-29773	10" HALF CLAMP (8" WIDE)
71	10-28657	#10 NYLON LOCKNUT PLTD
72	10-24076	CHAIN COUPLER GUARD, ASSY
73	10-18185	LARGE FLANGE RIVET
74	10-28656	#10 x 3/4" BOLT PLTD
75	10-18188	2" BUTT HINGE PLTD
76	10-19975	3/8" X 1-1/4" NC BOLT GR5 PLTD
77	200477	80X9T 1/2 BORE IDLER SPROCKET
78	10-24382	IDLER SPROCKET SPACER
79	9900560	1/2" X 2-1/4" NC BOLT GR 5 PLTD
80	10-19540	3/8" X 3/4" NC BOLT GR 5 PLTD

TUBE COMPONENTS, 10" x 51 ft

40

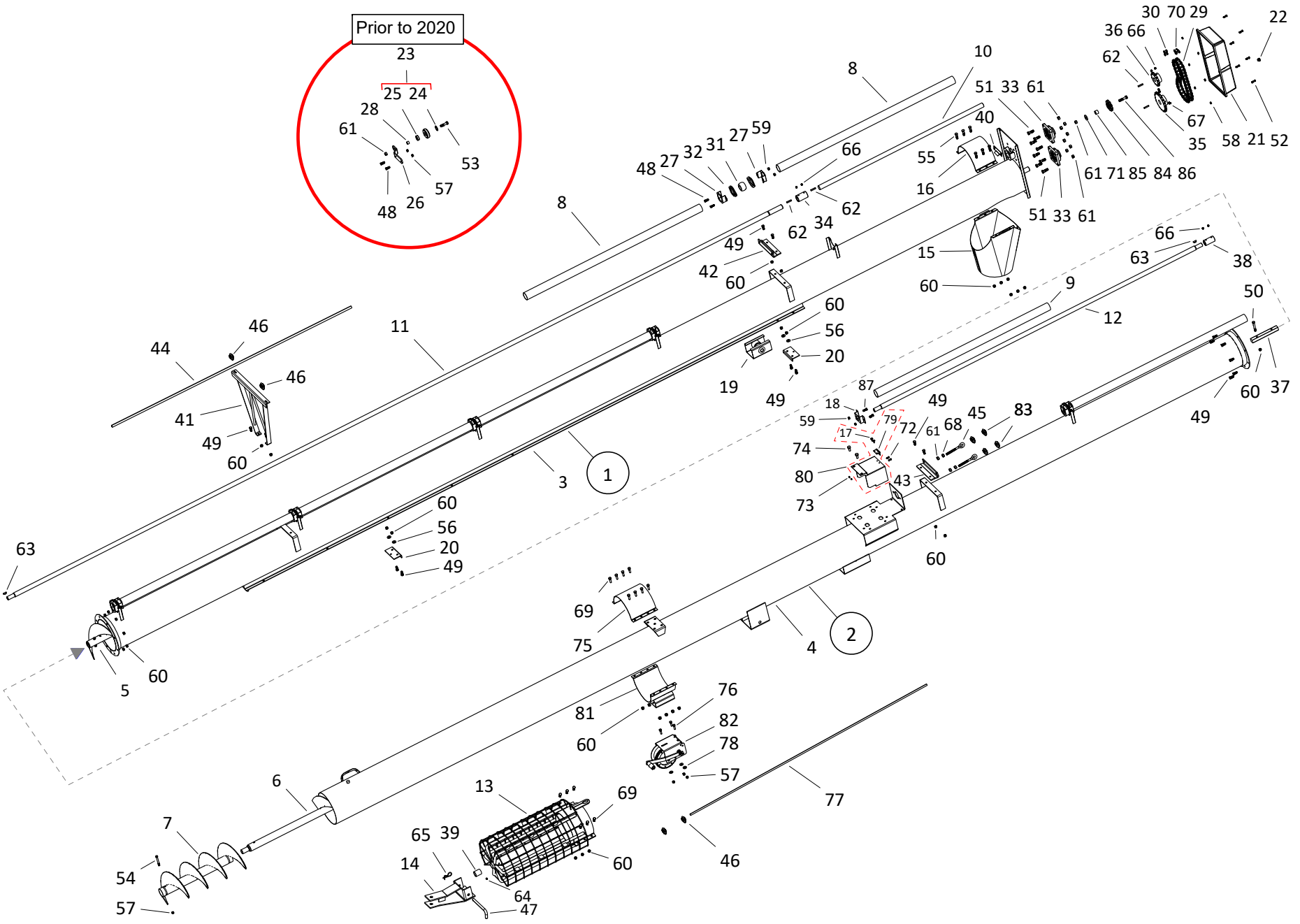




## TUBE COMPONENTS, 10" x 51 ft

ITEM	PART NO.	DESCRIPTION
1	10-23151	UPPER TUBE BUNDLE
2	10-23162	LOWER TUBE BUNDLE
3	10-23165	UPPER TUBE ONLY
4	10-23172	LOWER TUBE ONLY
5	10-23183	UPPER FLIGHT, 10"
6	10-23189	LOWER FLIGHT W/ INTAKE FLIGHT, 10"
7	10-17535	INTAKE FLIGHT, 10"
8	10-23614	UPPER DRIVESHAFT GUARD
9	10-23245	LOWER DRIVESHAFT GUARD
10	10-29736	UPPER SHORT DRIVESHAFT
11	10-23184	MIDDLE DRIVESHAFT
12	10-23230	LOWER DRIVESHAFT
13	10-29738	INTAKE W/ SHIELD, BUSHING
14	10-17180	CLEVIS
15	200568RD	2-PIECE SPOUT
16	10-27235	10" HITCH RING
17	10-18185	LARGE FLANGE RIVET
18	10-23268	DRIVESHAFT GUARD HANGER BRACKET, LOWER
19	10-18763	TRACK SHOE
20	10-18762	TRACK STOP
21	10-17160	OIL COVER, 10" HEAD
22	10-17179	OIL BATH PLUG, 3/8
23	10-23178	CHAIN TENSIONER IDLE WHEEL ASSY
24	10-23177	INTERNAL SNAP RING, 1-3/8"
25	10-22821	BEARING
26	10-23955	CHAIN TENSIONER IDLER BRACKET
27	10-23250	FLANGE BEARING HANGER BRACKET
28	10-22946	TIGHTENER SPACER
29	10-23185	ROLLER CHAIN W/ CONN (HEAVY), #80-1HR X 31P
30	10-19323	CONNECTOR LINK (HEAVY), #80HR
31	10-18691	WOOD BEARING, 1-1/4
32	10-18695	FLANGE, 2-HOLE, 1-1/4"
33	10-19567	PILLOW BEARING, 1-1/4
34	10-19770	DRIVESHAFT CONNECTOR, 1-1/4"
35	10-23831	80B19 X 1-1/4 SPROCKET
36	10-23180	SPROCKET, 80B12 X 1-1/4"
37	10-21690	FLIGHT CONNECTING SHAFT
38	10-19119	DRIVESHAFT CONNECTOR
39	10-19776	BUSHING, 1-1/4"
40	10-23617	SHIELD STOP, UPPER
41	10-19324	REGULAR TRUSS BRACKET
42	10-27863	CABLE ANCHOR
43	10-27960	TRUSS CABLE ANCHOR BRACKET
44	10-24030	TRUSS CABLE
45	10-19331	EYE BOLT/NUT 1/2" X5"
46	10-19147	1/4" CABLE CLAMP
47	10-17181	CLEVIS PIN
48	10-18955	3/8" X 1" NC BOLT GR 5 PLTD
49	10-19542	7/16" X 1" NC BOLT GR 5 PLTD
50	10-19546	7/16" X 3" NC BOLT GR 5 PLTD

TUBE COMPONENTS, 10" x 51 ft

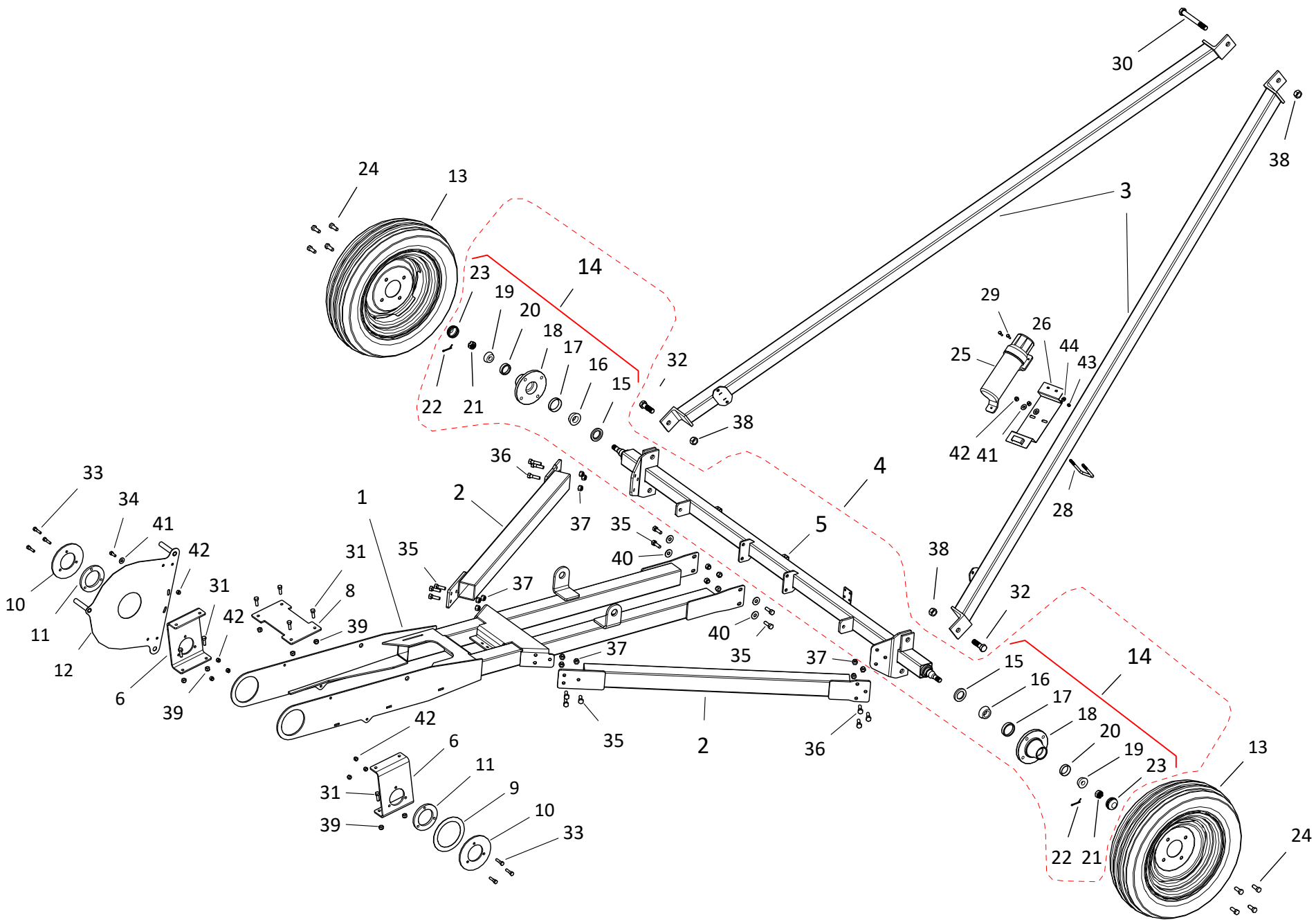


Prior to 2020

## TUBE COMPONENTS, 10" x 51 ft

ITEM	PART NO.	DESCRIPTION
51	10-19589	1/2" X 1-1/2" NC BOLT GR 8 PLTD
52	10-19988	1/4" X 1" NC BOLT GR 2 PLTD
53	10-27816	1/2" X 2" NC BOLT GR 5 PLTD
54	10-27981	3/8" X 3" NC BOLT GR 5 PLTD
55	10-28744	7/16" X 1-1/2" NC BOLT GR 5 PLTD
56	10-17182	1"OD X 29/64"ID X 10 GA WASHER PLTD
57	10-17402	3/8" NC NYLON LOCKNUT PLTD
58	10-19594	1/4" NC SERRATED FLANGE NUT PLTD
59	10-19596	3/8" NC SERRATED FLANGE NUT PLTD
60	10-19598	7/16" NC NYLON LOCKNUT GR 2 PLTD
61	10-19599	1/2" NC NYLON LOCKNUT GR 2 PLTD
62	10-19606	KEY, 1/4" X 1-1/2" SQ
63	10-19224	1/4" X 1" WOODRUFF KEY PLAIN
64	10-19222	1/4" FINE THREAD ZIRK
65	10-17383	3610 GRIP CLIP
66	10-19225	SETSCREW, 3/8" UNC X 3/8" REGULAR
67	10-29118	SETSCREW, 3/8" X 3/4" GR8 SQ HEAD
68	10-19602	1/2" NC HEX NUT PLTD
69	10-18698	7/16" X 1-1/4" NC BOLT GR 8 PLTD
70	10-17400	#80 HALF LINK
71	10-17401	1/2" FLAT WASHER PLTD
72	10-28656	#10 X 3/4" BOLT PLTD
73	10-28657	#10 NYLON LOCKNUT PLTD
74	10-22936	1/2" X 3/4" NC BOLT GR5
75	10-29773	10" HALF CLAMP (8" WIDE)
76	10-19975	3/8" X 1-1/4" NC BOLT GR5 PLTD
77	10-27963	WINCH CABLE, 1/4" X 55'
78	10-17392	3/8" FLAT WASHER PLTD
79	10-18188	2" BUTT HINGE PLTD
80	10-24076	CHAIN COUPLER GUARD, ASSY
81	10-24099	MNL WINCH 10" TUBE CLAMP
82	10-19152	WINCH
83	10-19333	5/16" CABLE CLAMP
84	200477	80X9T 1/2 BORE IDLER SPROCKET
85	10-24382	IDLER SPROCKET SPACER
86	9900560	1/2" X 2-1/4" NC BOLT GR 5 PLTD
87	10-19540	3/8" X 3/4" NC BOLT GR 5 PLTD

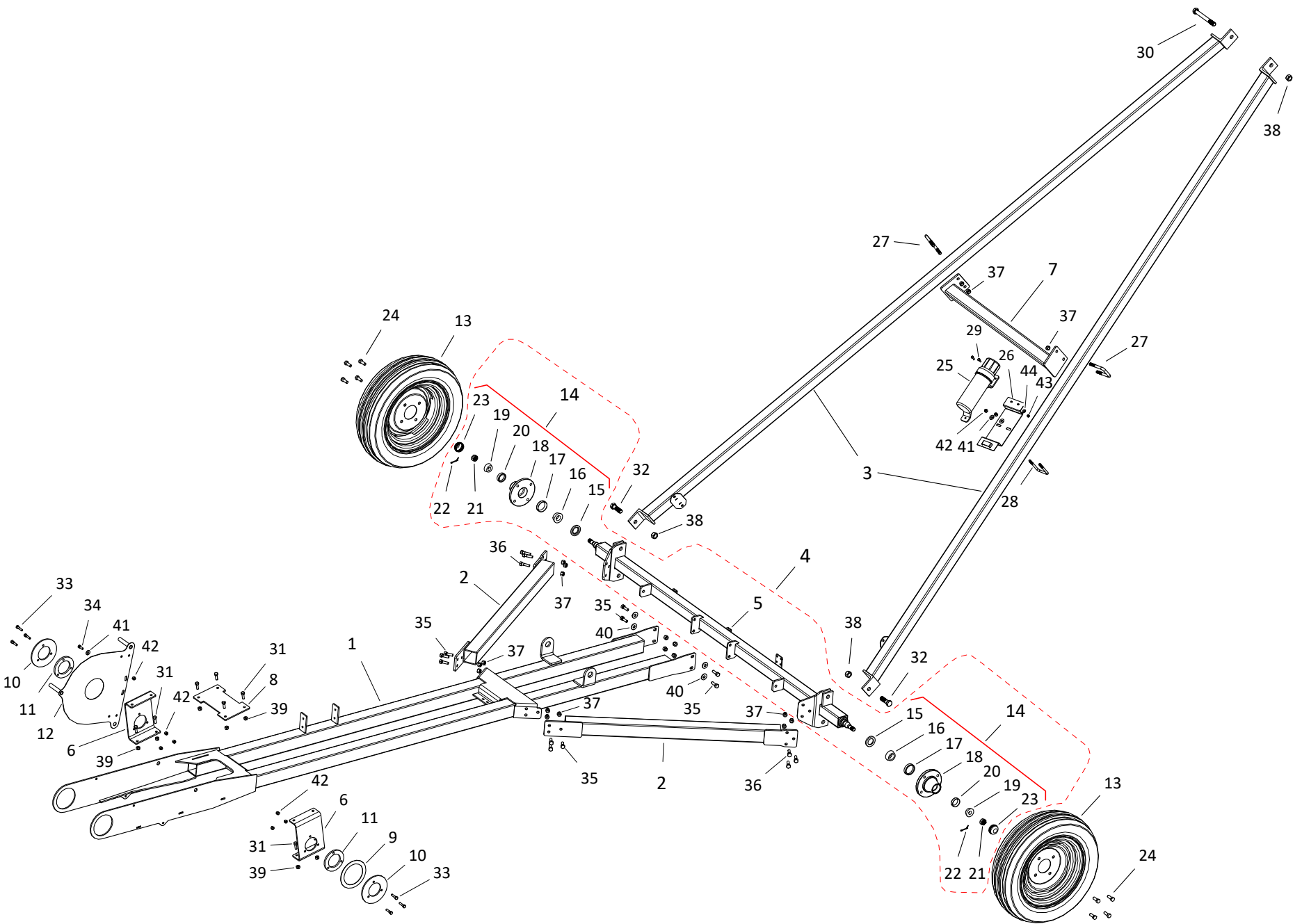
# FRAME COMPONENTS, 31 ft



## FRAME COMPONENTS, 31 ft

ITEM	PART NO.	DESCRIPTION
1	10-24039	FRAME, LWR ARM
2	10-24001	FRAME, LWR SUPPORT
3	10-23145	UPPER FRAME
4	10-24058	ASSY, AXLE (2019)
5	10-24002	FRAME, AXLE
6	10-24012	BRKT, GB LOWER FRAME CONNECT
8	10-24013	BRKT, GB TOP COVER
9	10-24014	SPACER, LWR FRAME
10	10-24015	FRAME, LWR ARM BOLT PLATE,LARGE
11	10-24016	FRAME, LWR ARM BOLT PLATE,SMALL
12	200539RD	ASSY, STX2 CLOSED GUARD PULLEY SHIM
13	10-21330	15X4.5X4 BOLT WHEEL ASSEMBLY
14	10-19467	HUB ASSEMBLY
15	10-19264	INNER SEAL
16	10-19265	BEARING CONE TIMKEN # LM 67048
17	10-19266	BEARING CUP TIMKEN # LM 67010
18	10-19267	HUB
19	10-19269	OUTER BEARING CONE
20	10-19268	OUTER BEARING CUP
21	10-19270	3/4" NF SLOTTED NUT PLAIN
22	10-19271	COTTER PIN 1/8 X 1-1/2 C.ZINC PLTD
23	10-19272	DUST CAP
24	10-20565	1/2" X 1" WHEEL BOLT (BLACK)
25	10-29755	WATERPROOF PLASTIC MANUAL HOLDER
26	10-29798	MANUAL HOLDER MOUNT
28	10-28445	UBOLTSQ3/8NCX2-5/8X3-3/4X1-1/4THD
29	9900800	1/4" X 3/4" NC BOLT GR 5 PLTD
30	10-19593	3/4" X 6-1/2" NC BOLT GR 8 PLTD
31	10-18698	7/16" X 1-1/4" NC BOLT GR 8 PLTD
32	10-20774	3/4" X 2-1/2" BOLT GR8 PLTD
33	9900694	3/8" X 1-1/2" UNC HEX BOLT GR5 PLT
34	10-18955	3/8" X 1" NC BOLT GR 5 PLTD
35	10-19589	1/2" X 1-1/2" NC BOLT GR 8 PLTD
36	10-19974	1/2" X 1-3/4" NC BOLT GR 8 PLTD
37	10-19599	1/2" NC NYLON LOCKNUT GR 2 PLTD
38	10-19601	3/4" NC NYLON LOCKNUT PLTD
39	10-19598	7/16" NC NYLON LOCKNUT GR 2 PLTD
40	10-17401	1/2" FLAT WASHER PLTD
41	10-17392	3/8" FLAT WASHER PLTD
42	10-17402	3/8" NC NYLON LOCKNUT PLTD
43	10-28449	1/4" NC NYLON LOCKNUT PLTD
44	9900683	1/4" FLAT WASHER PLTD

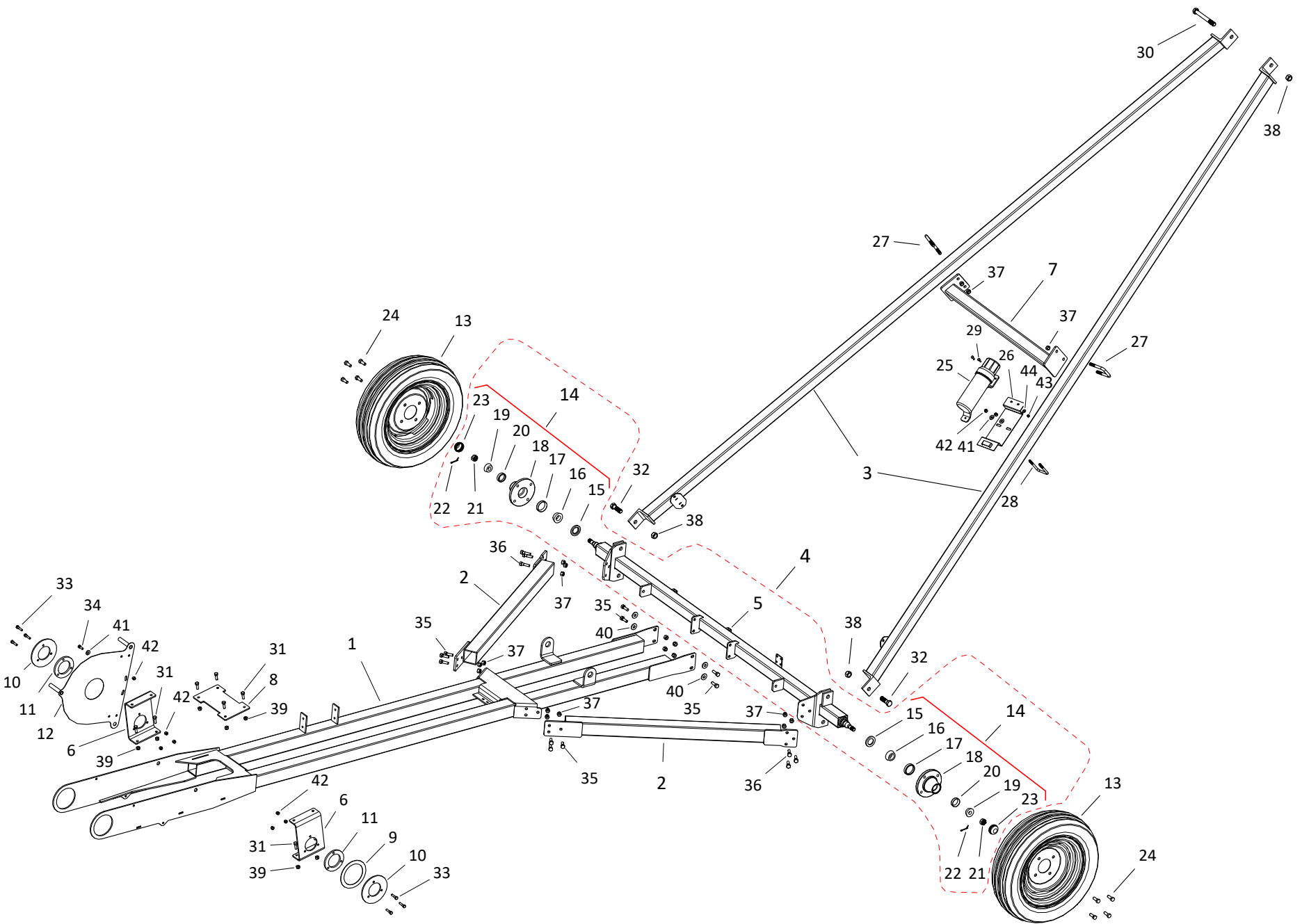
# FRAME COMPONENTS, 36 ft



## FRAME COMPONENTS, 36 ft

ITEM	PART NO.	DESCRIPTION
1	10-24041	FRAME, LWR ARM
2	10-24001	FRAME, LWR SUPPORT
3	10-23146	UPPER FRAME
4	10-24058	ASSY, AXLE (2019)
5	10-24002	FRAME, AXLE
6	10-24012	BRKT, GB LOWER FRAME CONNECT
7	10-22231	LIFT ARM X-SUPPORT, RED
8	10-24013	BRKT, GB TOP COVER
9	10-24014	SPACER, LWR FRAME
10	10-24015	FRAME, LWR ARM BOLT PLATE,LARGE
11	10-24016	FRAME, LWR ARM BOLT PLATE,SMALL
12	200539RD	ASSY, STX2 CLOSED GUARD PULLEY SHIM
13	10-21330	15X4.5X4 BOLT WHEEL ASSEMBLY
14	10-19467	HUB ASSEMBLY
15	10-19264	INNER SEAL
16	10-19265	BEARING CONE TIMKEN # LM 67048
17	10-19266	BEARING CUP TIMKEN # LM 67010
18	10-19267	HUB
19	10-19269	OUTER BEARING CONE
20	10-19268	OUTER BEARING CUP
21	10-19270	3/4" NF SLOTTED NUT PLAIN
22	10-19271	COTTER PIN 1/8 X 1-1/2 C.ZINC PLTD
23	10-19272	DUST CAP
24	10-20565	1/2" X 1" WHEEL BOLT (BLACK)
25	10-29755	WATERPROOF PLASTIC MANUAL HOLDER
26	10-29798	MANUAL HOLDER MOUNT
27	10-28444	UBOLT SQ, 1/2 X 2-5/8 X 4 X 1-1/4
28	10-28445	UBOLTSQ3/8NCX2-5/8X3-3/4X1-1/4THD
29	9900800	1/4" X 3/4" NC BOLT GR 5 PLTD
30	10-19593	3/4" X 6-1/2" NC BOLT GR 8 PLTD
31	10-18698	7/16" X 1-1/4" NC BOLT GR 8 PLTD
32	10-20774	3/4" X 2-1/2" BOLT GR8 PLTD
33	9900694	3/8" X 1-1/2" UNC HEX BOLT GR5 PLT
34	10-18955	3/8" X 1" NC BOLT GR 5 PLTD
35	10-19589	1/2" X 1-1/2" NC BOLT GR 8 PLTD
36	10-19974	1/2" X 1-3/4" NC BOLT GR 8 PLTD
37	10-19599	1/2" NC NYLON LOCKNUT GR 2 PLTD
38	10-19601	3/4" NC NYLON LOCKNUT PLTD
39	10-19598	7/16" NC NYLON LOCKNUT GR 2 PLTD
40	10-17401	1/2" FLAT WASHER PLTD
41	10-17392	3/8" FLAT WASHER PLTD
42	10-17402	3/8" NC NYLON LOCKNUT PLTD
43	10-28449	1/4" NC NYLON LOCKNUT PLTD
44	9900683	1/4" FLAT WASHER PLTD

# FRAME COMPONENTS, 41 ft

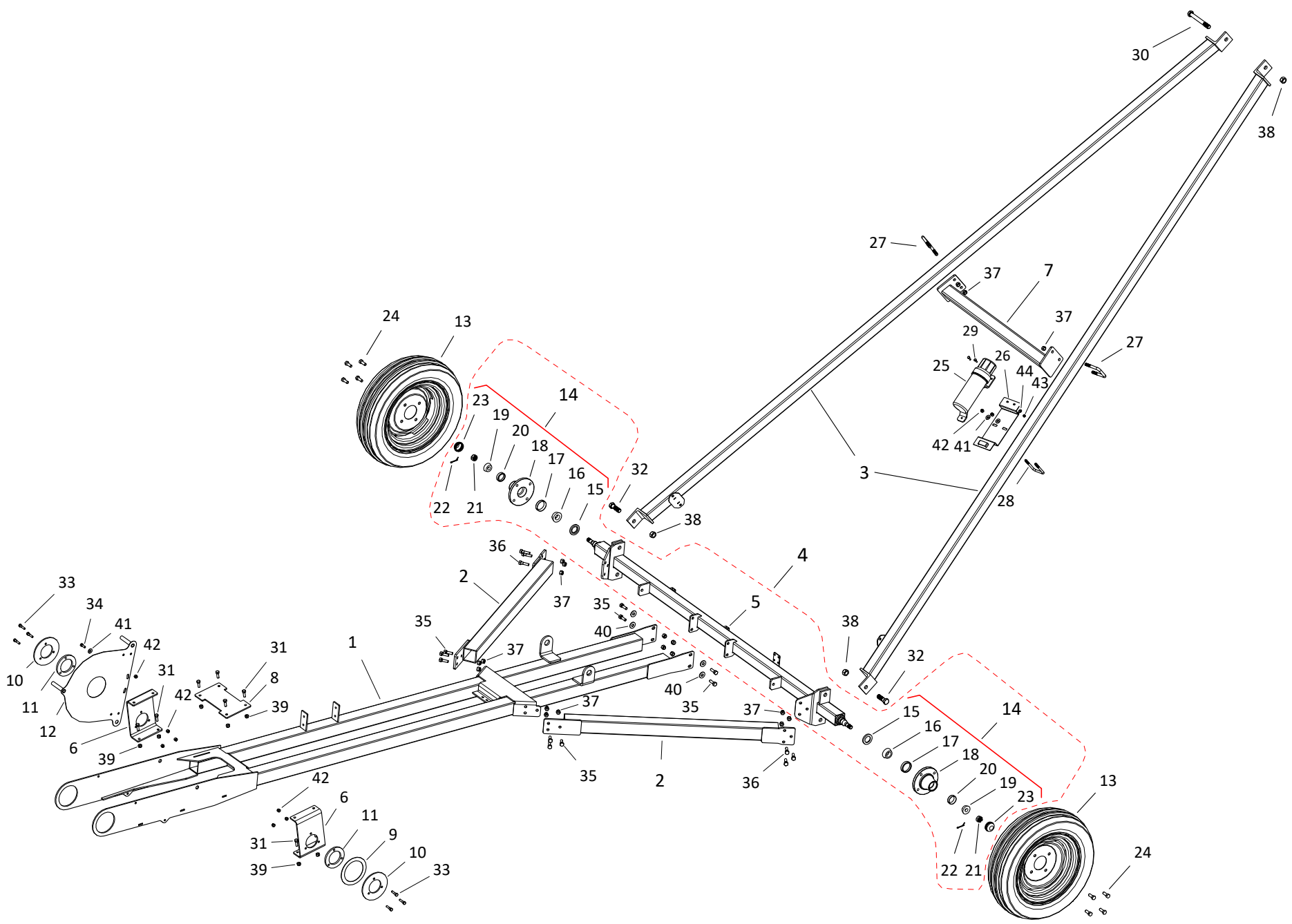




## FRAME COMPONENTS, 41 ft

ITEM	PART NO.	DESCRIPTION
1	10-24040	FRAME, LWR ARM
2	10-24001	FRAME, LWR SUPPORT
3	10-23147	UPPER FRAME
4	10-24058	ASSY, AXLE (2019)
5	10-24002	FRAME, AXLE
6	10-24012	BRKT, GB LOWER FRAME CONNECT
7	10-21790	LIFT ARM X-SUPPORT, RED
8	10-24013	BRKT, GB TOP COVER
9	10-24014	SPACER, LWR FRAME
10	10-24015	FRAME, LWR ARM BOLT PLATE,LARGE
11	10-24016	FRAME, LWR ARM BOLT PLATE,SMALL
12	200539RD	ASSY, STX2 CLOSED GUARD PULLEY SHIM
13	10-21330	15X4.5X4 BOLT WHEEL ASSEMBLY
14	10-19467	HUB ASSEMBLY
15	10-19264	INNER SEAL
16	10-19265	BEARING CONE TIMKEN # LM 67048
17	10-19266	BEARING CUP TIMKEN # LM 67010
18	10-19267	HUB
19	10-19269	OUTER BEARING CONE
20	10-19268	OUTER BEARING CUP
21	10-19270	3/4" NF SLOTTED NUT PLAIN
22	10-19271	COTTER PIN 1/8 X 1-1/2 C.ZINC PLTD
23	10-19272	DUST CAP
24	10-20565	1/2" X 1" WHEEL BOLT (BLACK)
25	10-29755	WATERPROOF PLASTIC MANUAL HOLDER
26	10-29798	MANUAL HOLDER MOUNT
27	10-28444	UBOLT SQ, 1/2 X 2-5/8 X 4 X 1-1/4
28	10-28445	UBOLTSQ3/8NCX2-5/8X3-3/4X1-1/4THD
29	9900800	1/4" X 3/4" NC BOLT GR 5 PLTD
30	10-19593	3/4" X 6-1/2" NC BOLT GR 8 PLTD
31	10-18698	7/16" X 1-1/4" NC BOLT GR 8 PLTD
32	10-20774	3/4" X 2-1/2" BOLT GR8 PLTD
33	9900694	3/8" X 1-1/2" UNC HEX BOLT GR5 PLT
34	10-18955	3/8" X 1" NC BOLT GR 5 PLTD
35	10-19589	1/2" X 1-1/2" NC BOLT GR 8 PLTD
36	10-19974	1/2" X 1-3/4" NC BOLT GR 8 PLTD
37	10-19599	1/2" NC NYLON LOCKNUT GR 2 PLTD
38	10-19601	3/4" NC NYLON LOCKNUT PLTD
39	10-19598	7/16" NC NYLON LOCKNUT GR 2 PLTD
40	10-17401	1/2" FLAT WASHER PLTD
41	10-17392	3/8" FLAT WASHER PLTD
42	10-17402	3/8" NC NYLON LOCKNUT PLTD
43	10-28449	1/4" NC NYLON LOCKNUT PLTD
44	9900683	1/4" FLAT WASHER PLTD

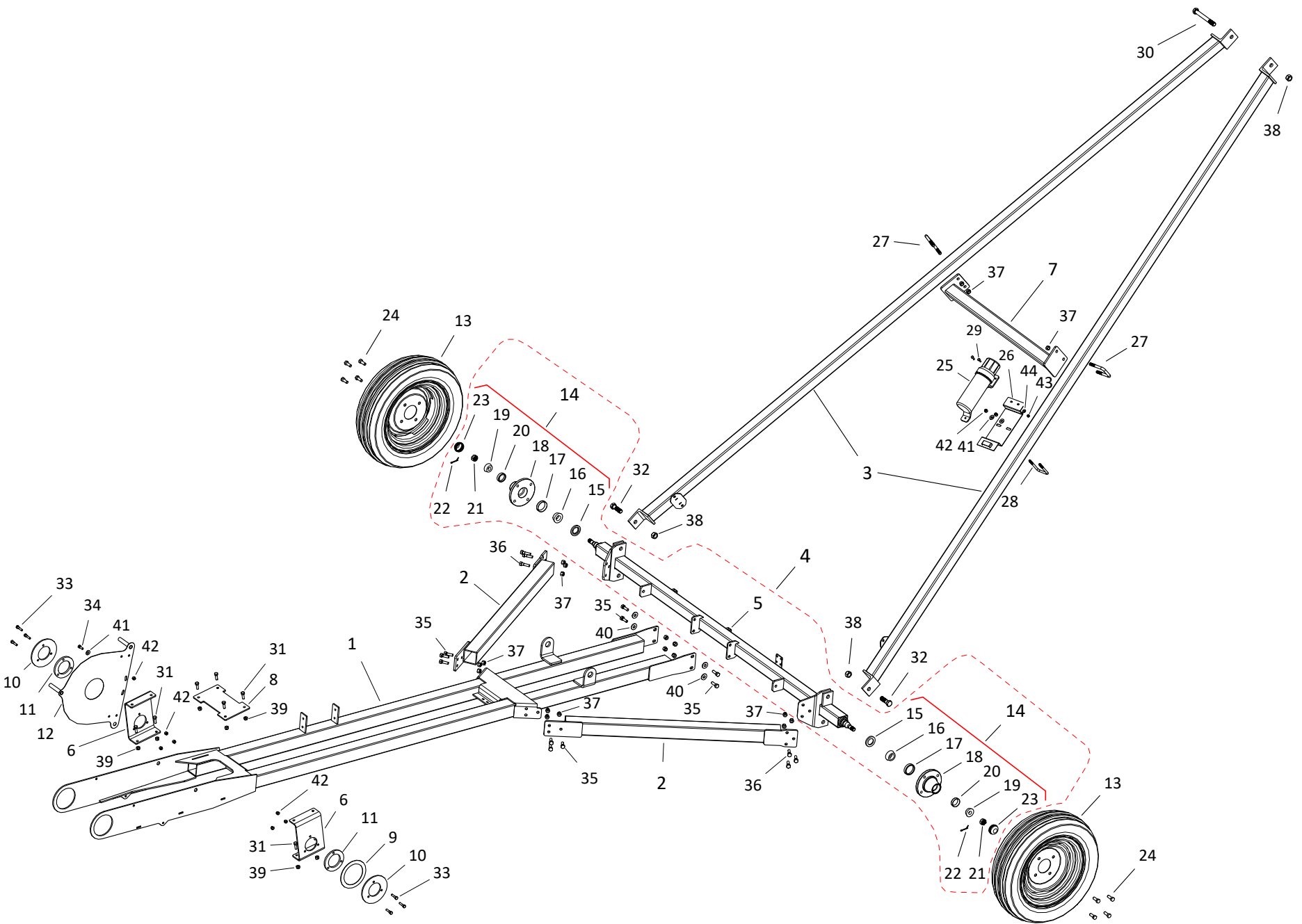
# FRAME COMPONENTS, 46 ft



## FRAME COMPONENTS, 46 ft

ITEM	PART NO.	DESCRIPTION
1	10-24042	FRAME, LWR ARM
2	10-24001	FRAME, LWR SUPPORT
3	10-23148	UPPER FRAME
4	10-24058	ASSY, AXLE (2019)
5	10-24002	FRAME, AXLE
6	10-24012	BRKT, GB LOWER FRAME CONNECT
7	10-20395	LIFT ARM X-SUPPORT, RED
8	10-24013	BRKT, GB TOP COVER
9	10-24014	SPACER, LWR FRAME
10	10-24015	FRAME, LWR ARM BOLT PLATE,LARGE
11	10-24016	FRAME, LWR ARM BOLT PLATE,SMALL
12	200539RD	ASSY, STX2 CLOSED GUARD PULLEY SHIM
13	10-21330	15X4.5X4 BOLT WHEEL ASSEMBLY
14	10-19467	HUB ASSEMBLY
15	10-19264	INNER SEAL
16	10-19265	BEARING CONE TIMKEN # LM 67048
17	10-19266	BEARING CUP TIMKEN # LM 67010
18	10-19267	HUB
19	10-19269	OUTER BEARING CONE
20	10-19268	OUTER BEARING CUP
21	10-19270	3/4" NF SLOTTED NUT PLAIN
22	10-19271	COTTER PIN 1/8 X 1-1/2 C.ZINC PLTD
23	10-19272	DUST CAP
24	10-20565	1/2" X 1" WHEEL BOLT (BLACK)
25	10-29755	WATERPROOF PLASTIC MANUAL HOLDER
26	10-29798	MANUAL HOLDER MOUNT
27	10-28444	UBOLT SQ, 1/2 X 2-5/8 X 4 X 1-1/4
28	10-28445	UBOLTSQ3/8NCX2-5/8X3-3/4X1-1/4THD
29	9900800	1/4" X 3/4" NC BOLT GR 5 PLTD
30	10-19593	3/4" X 6-1/2" NC BOLT GR 8 PLTD
31	10-18698	7/16" X 1-1/4" NC BOLT GR 8 PLTD
32	10-20774	3/4" X 2-1/2" BOLT GR8 PLTD
33	9900694	3/8" X 1-1/2" UNC HEX BOLT GR5 PLT
34	10-18955	3/8" X 1" NC BOLT GR 5 PLTD
35	10-19589	1/2" X 1-1/2" NC BOLT GR 8 PLTD
36	10-19974	1/2" X 1-3/4" NC BOLT GR 8 PLTD
37	10-19599	1/2" NC NYLON LOCKNUT GR 2 PLTD
38	10-19601	3/4" NC NYLON LOCKNUT PLTD
39	10-19598	7/16" NC NYLON LOCKNUT GR 2 PLTD
40	10-17401	1/2" FLAT WASHER PLTD
41	10-17392	3/8" FLAT WASHER PLTD
42	10-17402	3/8" NC NYLON LOCKNUT PLTD
43	10-28449	1/4" NC NYLON LOCKNUT PLTD
44	9900683	1/4" FLAT WASHER PLTD

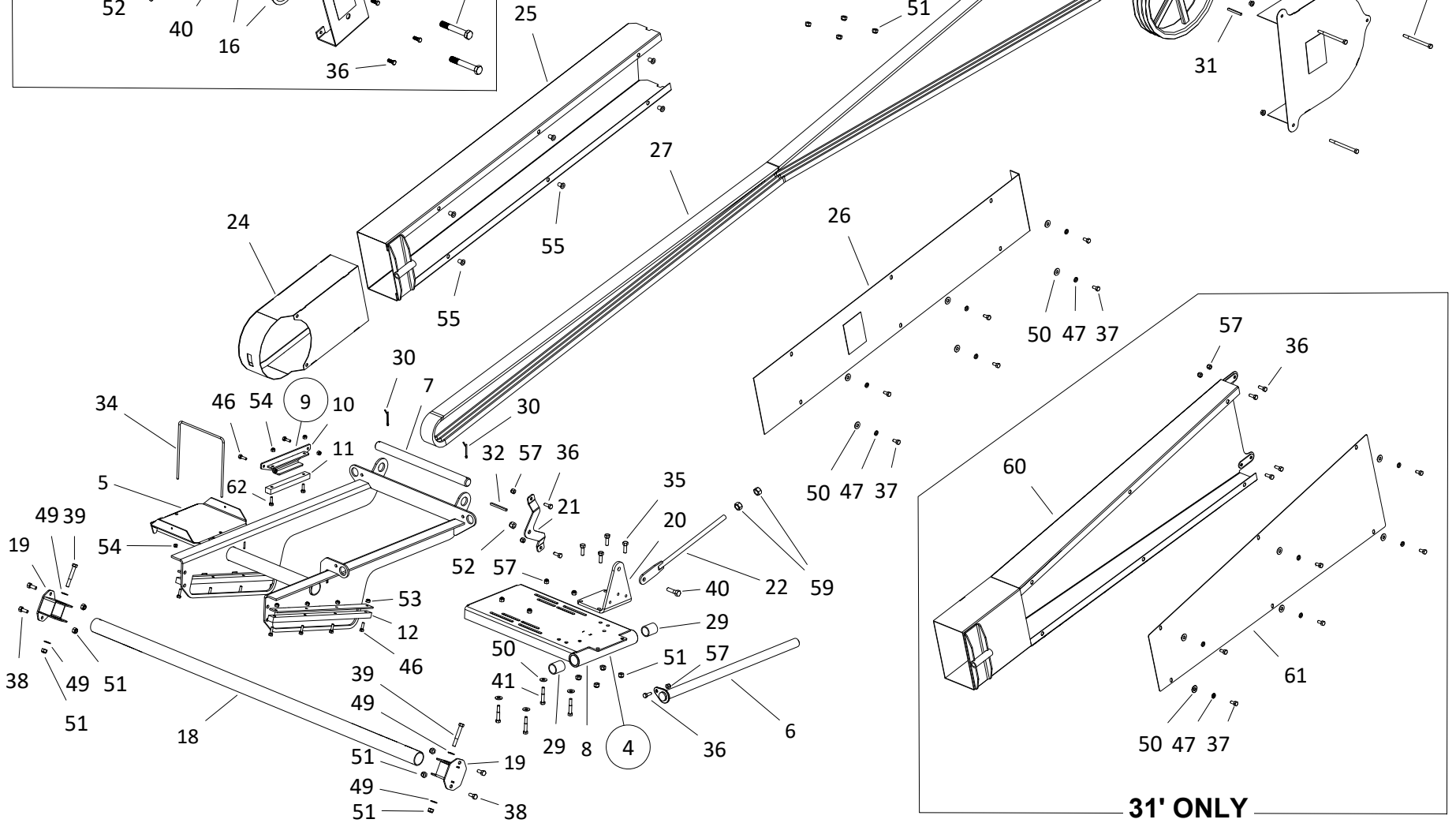
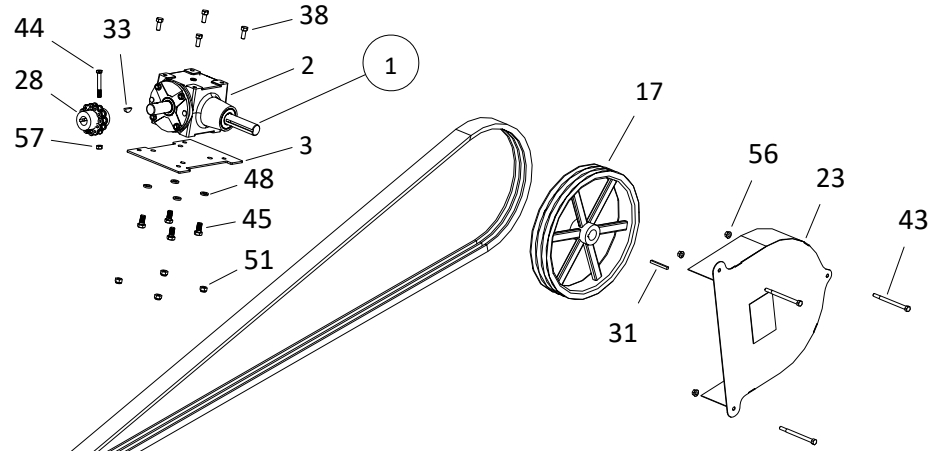
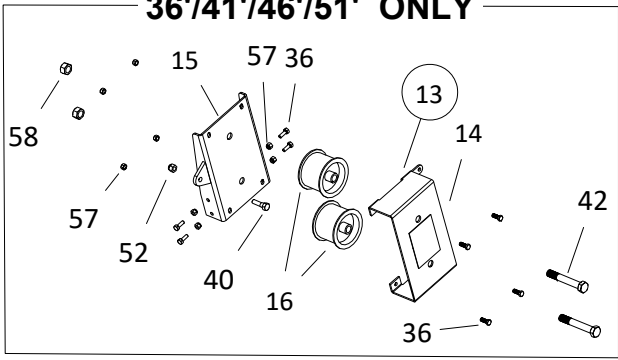
# FRAME COMPONENTS, 51 ft



## FRAME COMPONENTS, 51 ft

ITEM	PART NO.	DESCRIPTION
1	10-24000	FRAME, LWR ARM
2	10-24001	FRAME, LWR SUPPORT
3	10-23149	UPPER FRAME
4	10-24058	ASSY, AXLE (2019)
5	10-24002	FRAME, AXLE
6	10-24012	BRKT, GB LOWER FRAME CONNECT
7	10-20395	LIFT ARM X-SUPPORT, RED
8	10-24013	BRKT, GB TOP COVER
9	10-24014	SPACER, LWR FRAME
10	10-24015	FRAME, LWR ARM BOLT PLATE,LARGE
11	10-24016	FRAME, LWR ARM BOLT PLATE,SMALL
12	200539RD	ASSY, STX2 CLOSED GUARD PULLEY SHIM
13	10-21330	15X4.5X4 BOLT WHEEL ASSEMBLY
14	10-19467	HUB ASSEMBLY
15	10-19264	INNER SEAL
16	10-19265	BEARING CONE TIMKEN # LM 67048
17	10-19266	BEARING CUP TIMKEN # LM 67010
18	10-19267	HUB
19	10-19269	OUTER BEARING CONE
20	10-19268	OUTER BEARING CUP
21	10-19270	3/4" NF SLOTTED NUT PLAIN
22	10-19271	COTTER PIN 1/8 X 1-1/2 C.ZINC PLTD
23	10-19272	DUST CAP
24	10-20565	1/2" X 1" WHEEL BOLT (BLACK)
25	10-29755	WATERPROOF PLASTIC MANUAL HOLDER
26	10-29798	MANUAL HOLDER MOUNT
27	10-28444	UBOLT SQ, 1/2 X 2-5/8 X 4 X 1-1/4
28	10-28445	UBOLTSQ3/8NCX2-5/8X3-3/4X1-1/4THD
29	9900800	1/4" X 3/4" NC BOLT GR 5 PLTD
30	10-19593	3/4" X 6-1/2" NC BOLT GR 8 PLTD
31	10-18698	7/16" X 1-1/4" NC BOLT GR 8 PLTD
32	10-20774	3/4" X 2-1/2" BOLT GR8 PLTD
33	9900694	3/8" X 1-1/2" UNC HEX BOLT GR5 PLT
34	10-18955	3/8" X 1" NC BOLT GR 5 PLTD
35	10-19589	1/2" X 1-1/2" NC BOLT GR 8 PLTD
36	10-19974	1/2" X 1-3/4" NC BOLT GR 8 PLTD
37	10-19599	1/2" NC NYLON LOCKNUT GR 2 PLTD
38	10-19601	3/4" NC NYLON LOCKNUT PLTD
39	10-19598	7/16" NC NYLON LOCKNUT GR 2 PLTD
40	10-17401	1/2" FLAT WASHER PLTD
41	10-17392	3/8" FLAT WASHER PLTD
42	10-17402	3/8" NC NYLON LOCKNUT PLTD
43	10-28449	1/4" NC NYLON LOCKNUT PLTD
44	9900683	1/4" FLAT WASHER PLTD

36'/41'/46'/51' ONLY

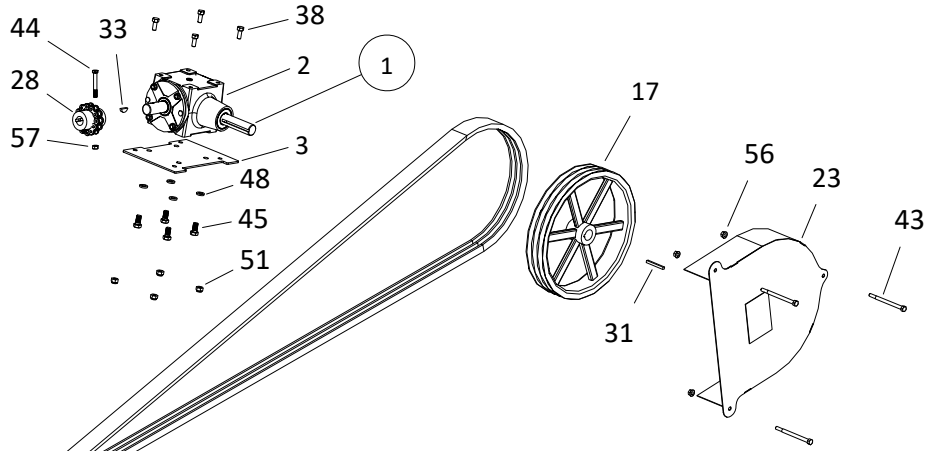
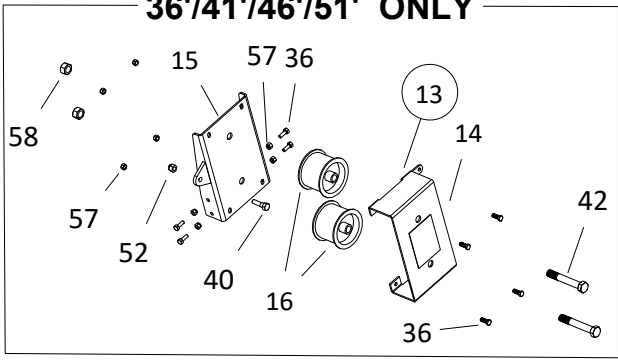


31' ONLY

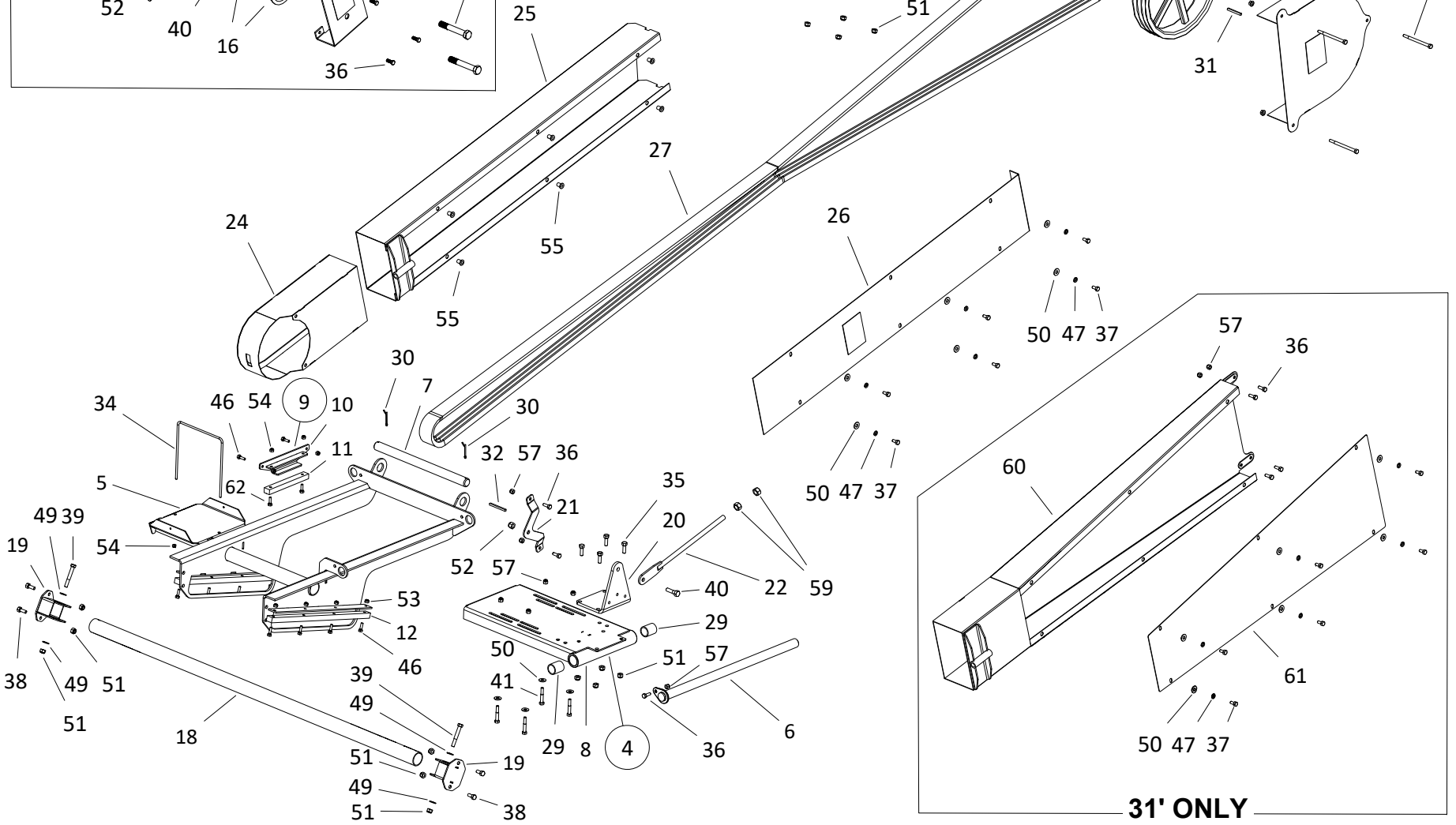
## DRIVE COMPONENTS (PRIOR TO 2020)

ITEM	PART NO.	DESCRIPTION
1	10-23217	GEARBOX ASSEMBLY
2	10-29676	GEARBOX
3	10-23218	GEARBOX MOUNT PLATE
4	10-24055	ASSY, ENGINE SLIDER
5	10-24004	MNT, MTR SLIDER
6	10-24005	PIN, MTR SLIDE RAIL
7	10-24006	PIN, MOTOR PIVOT
8	10-24023	MNT, MTR ASSEM
9	10-24234	ENGINE SLIDER ASSY
10	10-24025	BRKT, SLIDER MOUNT
11	10-24031	MNT, UHMW ENGINE SLIDER
12	BU-0101177	UHMW SLIDER
13	10-24032	BELT TENSIONER IDLER FRM ASSY (EXCLUDING 31')
14	10-24037	BELT TENSIONER IDLER FRONT PLT (EXCLUDING 31')
15	10-24062	IDLER MOUNT (EXCLUDING 31')
16	10-23834	4" X 3/4" IDLER PULLEY (FOR 3 BELT) (EXCLUDING 31')
17	10-19950	PULLEY, 15 X 1.25 DBL B (8" & 10" X 31'/36'/41' ONLY)
17	10-19933	PULLEY, 15 X 1.25, TRPL B (10" X 46'/51' ONLY)
18	10-24017	TUBE, MTR LEVELLER
19	10-24003	BRKT, LEVELLER TUBE MNT
20	10-24022	MNT, MTR PUSH PLATE
21	10-24078	GUARD RETAINER PLATE
22	10-24079	THREADED PUSH ROD
23	10-24064	PULLEY GUARD COVER
24	10-24065	CLUTCH GUARD
25	10-24068	BOTTOM GUARD ASSY (36' ONLY)
25	10-24066	BOTTOM GUARD ASSY (41' ONLY)
25	10-24067	BOTTOM GUARD, ASSY (46' ONLY)
25	10-24069	BOTTOM GUARD ASSY (51' ONLY)
26	10-24073	BOTTOM GUARD COVER, ASSY (36' ONLY)
26	10-24072	BOTTOM GUARD COVER, ASSY (41' ONLY)
26	10-24071	BOTTOM GUARD COVER, ASSY (46' ONLY)
26	10-24070	BOTTOM GUARD COVER, ASSY (51' ONLY)
27	10-24044	B180 DOUBLE BANDED BELT (31' ONLY)
27	10-23196	B210 DOUBLE BANDED BELT (36' ONLY)
27	10-23197	B240 DOUBLE BANDED BELT (41' ONLY)
27	10-23198	B270 DOUBLE BANDED BELT (8" X 46' ONLY)
27	10-24043	B270 TRIPLE BANDED BELT (10" X 46' ONLY)
27	10-23199	B300 DOUBLE BANDED BELT (8" X 51' ONLY)
27	10-23729	B300 TRIPLE BANDED BELT (10" X 51' ONLY)
28	10-19674	CPLR, 1.25BOLT X 1" KEY
29	10-19776	BUSHING, 1-1/4"
30	10-17757	COTTER PIN 3/16 X 1-3/4 C.ZINC PLTD
31	10-17854	1/4" X 2-1/2" SQUARE KEY
32	10-19607	KEY, 1/4" X 3" SQ
33	10-19224	1/4" X 1" WOODRUFF KEY
34	10-28448	UBOLTSQ1/4NCX8-1/4X9-3/4X4THDGR5PLT
35	10-18698	7/16" X 1-1/4" NC BOLT GR 8 PLTD
36	10-18955	3/8" X 1" NC BOLT GR 5 PLTD
37	10-19540	3/8" X 3/4" NC BOLT GR 5 PLTD

36'/41'/46'/51' ONLY



56



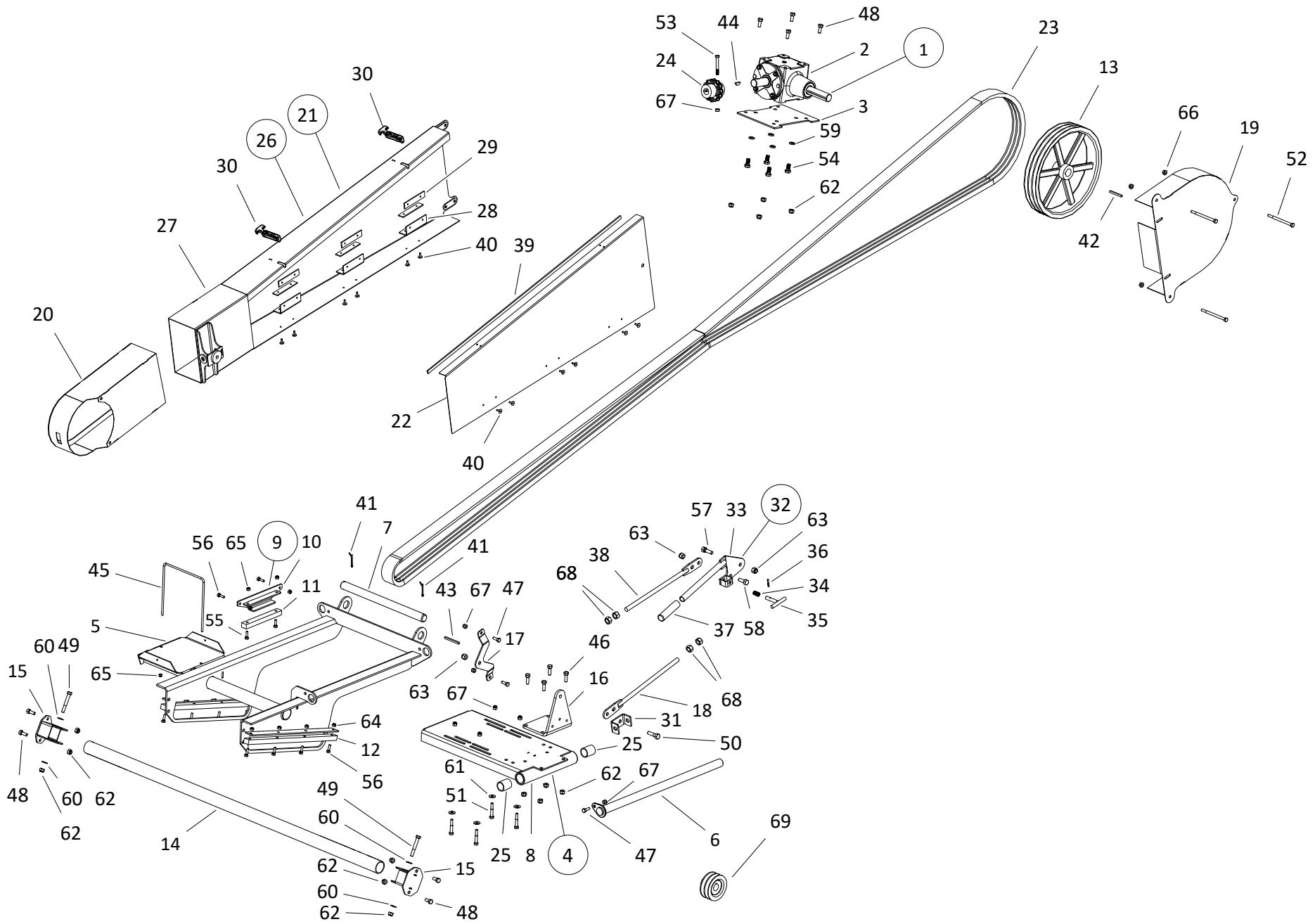
31' ONLY



## DRIVE COMPONENTS (PRIOR TO 2020)

ITEM	PART NO.	DESCRIPTION
38	10-19542	7/16" X 1" NC BOLT GR 5 PLTD
39	10-19546	7/16" X 3" NC BOLT GR 5 PLTD
40	10-19974	1/2" X 1-3/4" NC BOLT GR 8 PLTD
41	10-28745	3/8" X 2-1/4" NC BOLT GR 5 PLTD
42	10-23837	3/4" X 5" NC BOLT GR 5 PLTD
43	10-23513	3/8" X 5" NC BOLT GR 5 PLTD
44	10-19541	3/8" X 2-3/4" NC BOLT GR 2 PLTD
45	10-19231	1/2" X 1" NC BOLT GR 5 PLTD
46	10-18091	5/16" X 1" NC BOLT GR 2 PLTD
47	10-19604	3/8" LOCK WASHER PLTD
48	10-19605	1/2" LOCK WASHER PLTD
49	10-28485	7/16" SAE WASHER PLTD
50	10-17392	3/8" FLAT WASHER PLTD
51	10-19598	7/16" NC NYLON LOCKNUT GR 2 PLTD
52	10-19599	1/2" NC NYLON LOCKNUT GR 2 PLTD
53	10-19980	5/16" NC NYLON LOCKNUT PLTD
54	10-28449	1/4" NC NYLON LOCKNUT PLTD
55	10-22550	RIVNUT 3/8-16 UNC
56	10-19596	3/8" SERRATED FLANGE NUT
57	10-17402	3/8" NC NYLON LOCKNUT PLTD
58	10-19601	3/4" NC NYLON LOCKNUT PLTD
59	10-19864	5/8" NC HEX NUT PLTD
60	10-24075	GUARD, ASSY (31' ONLY)
61	10-24077	GUARD COVER, ASSY (31' ONLY)
62	10-19988	1/4" X 1" NC BOLT GR 2 PLTD

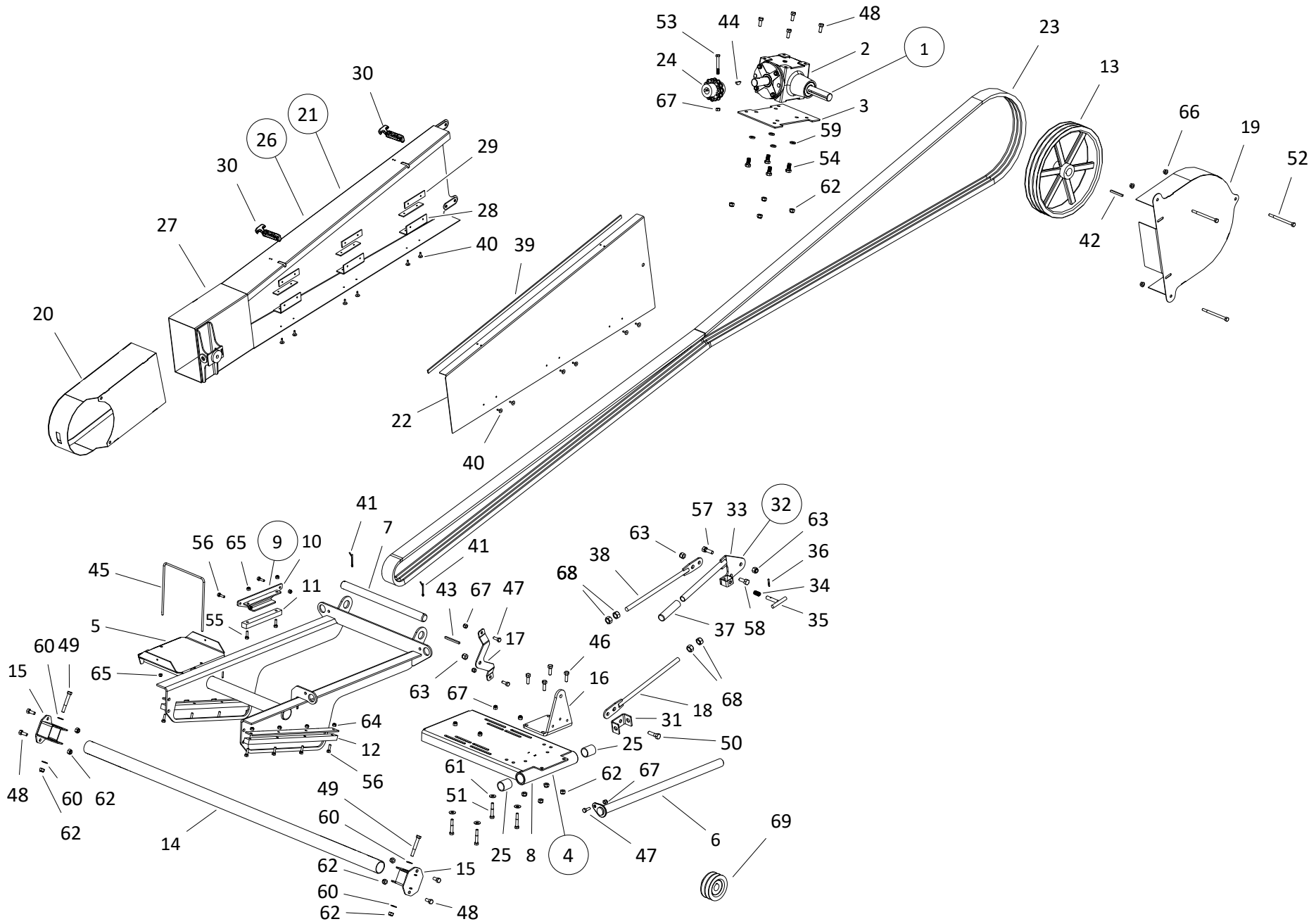
# DRIVE COMPONENTS, STX2 8 | 10-31 (2020)



## DRIVE COMPONENTS, STX2 8 | 10-31 (2020)

ITEM	PART NO.	DESCRIPTION
1	10-23217	GEARBOX ASSEMBLY
2	10-29676	GEARBOX
3	10-23218	GEARBOX MOUNT PLATE
4	10-24055	ASSY, ENGINE SLIDER
5	10-24004	MNT, MTR SLIDER
6	10-24005	PIN, MTR SLIDE RAIL
7	10-24006	PIN, MOTOR PIVOT
8	10-24023	MNT, MTR ASSEM
9	10-24234	ENGINE SLIDER ASSY
10	10-24025	BRKT, SLIDER MOUNT
11	10-24031	MNT, UHMW ENGINE SLIDER
12	BU-0101177	UHMW SLIDER
13	10-19950	PULLEY, 15 X 1.25 DBL B
14	10-24017	TUBE, MTR LEVELLER
15	10-24003	BRKT, LEVELLER TUBE MNT
16	10-24022	MNT, MTR PUSH PLATE
17	10-24078	GUARD RETAINER PLATE
18	200536PL	WELDT STX2 MNL BLT ENGAGE GUIDE ROD
19	200540RD	ASSY STX2 CLOSED GUARD PULLEY COVER
20	10-24065	CLUTCH GUARD
21	200564RD	ASSY, STX2 31 CLOSED GUARD
22	200566RD	BRKT, STX2 31 CLOSED GUARD COVER
23	10-24044	B180 DOUBLE BANDED BELT
24	10-19674	CPLR, 1.25BOLT X 1" KEY
25	10-19776	BUSHING, 1-1/4"
26	05-A451	MANUAL BELT ENGAGE KIT
27	200565RD	WELD'T, STX2 31 CLOSED GUARD
28	200547	3" X 4-3/4" X 1/8" 2 PLY BELT
29	10-22049	TRANS FLIGHT, 16" GULP
30	200537	RUBBER DRAW LATCH
31	200534RD	BRKT, STX2 MANUAL BELT ENGAGE MNT
32	200532RD	ASSY, STX2 MANUAL BELT ENGAGE HANDL
33	200533RD	WELDT, STX2 MANUAL BELT ENGAGE HNDL
34	10-28645	COMPRESSION SPRING (SINGLE)
35	10-28856	LOCK PIN, MK FLEX
36	10-28726	SLOTTED SPRING PIN 3/16 X 1-1/2 PLN
37	0200007-4	7/8" HANDLE GRIP
38	200535PL	WELD'T STX2 MNL BLT ENGAGE THRDD RD
39	200625	FOAM STRIP, STX2 CLOSED GUARD
40	10-18185	LARGE FLANGE RIVET
41	10-17757	COTTER PIN 3/16 X 1-3/4 C.ZINC PLTD
42	10-17854	1/4" X 2-1/2" SQUARE KEY
43	10-19607	KEY, 1/4" X 3" SQ
44	10-19224	1/4" X 1" WOODRUFF KEY
45	10-28448	UBOLTSQ1/4NCX8-1/4X9-3/4X4THDGR5PLT
46	10-18698	7/16" X 1-1/4" NC BOLT GR 8 PLTD
47	10-18955	3/8" X 1" NC BOLT GR 5 PLTD
48	10-19542	7/16" X 1" NC BOLT GR 5 PLTD
49	10-19546	7/16" X 3" NC BOLT GR 5 PLTD
50	10-19974	1/2" X 1-3/4" NC BOLT GR 8 PLTD

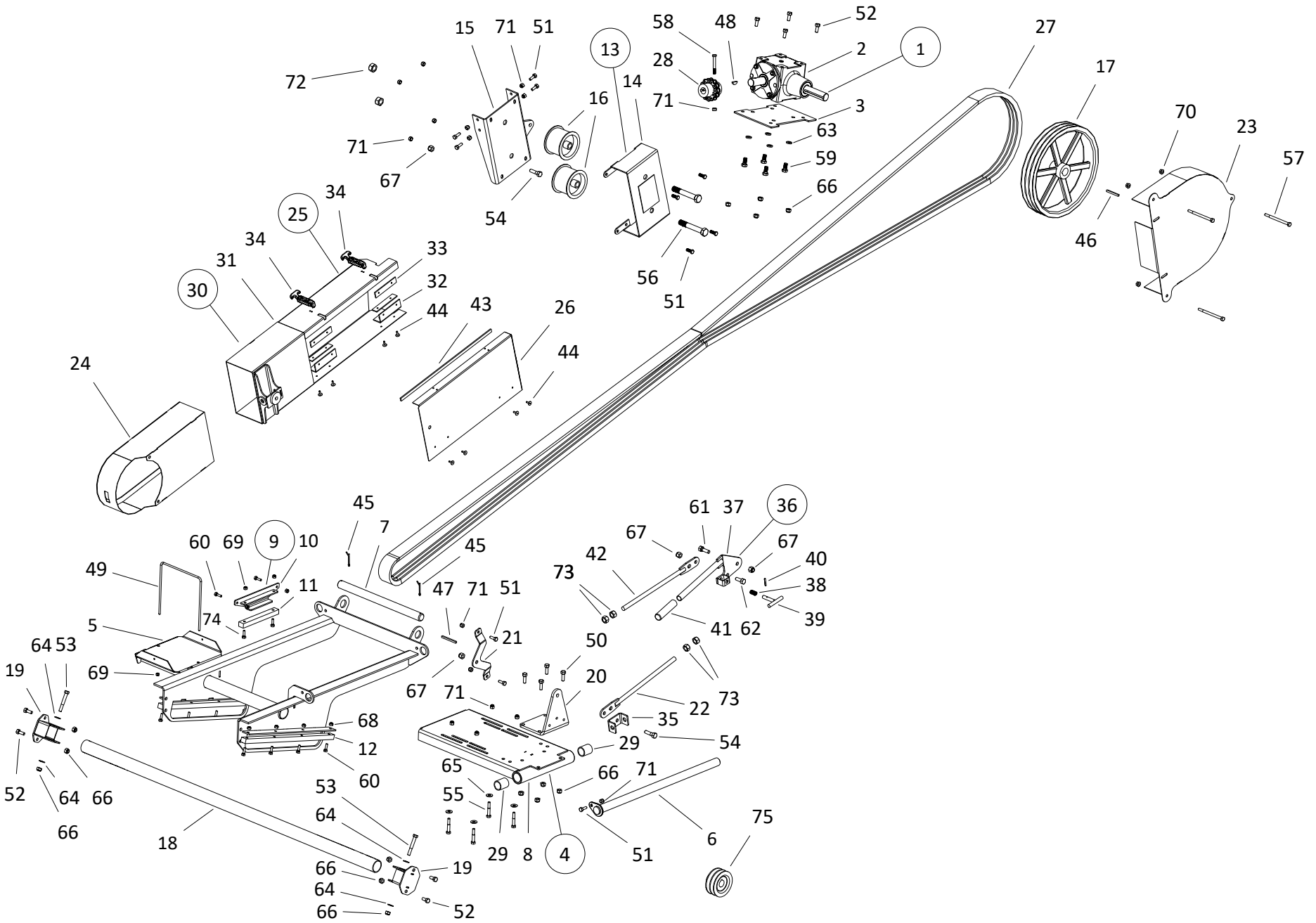
# DRIVE COMPONENTS, STX2 8 | 10-31 (2020)



## DRIVE COMPONENTS, STX2 8 | 10-31 (2020)

ITEM	PART NO.	DESCRIPTION
51	10-28745	3/8" X 2-1/4" NC BOLT GR 5 PLTD
52	10-23513	3/8" X 5" NC BOLT GR 5 PLTD
53	10-19541	3/8" X 2-3/4" NC BOLT GR 2 PLTD
54	10-19231	1/2" X 1" NC BOLT GR 5 PLTD
55	10-19988	1/4" X 1" NC BOLT GR 2 PLTD
56	10-18091	5/16" X 1" NC BOLT GR 2 PLTD
57	10-19589	1/2" X 1-1/2" NC BOLT GR 8 PLTD
58	10-19588	1/2" X 1-1/4" NC BOLT GR 5 PLTD
59	10-19605	1/2" LOCK WASHER PLTD
60	10-28485	7/16" SAE WASHER PLTD
61	10-17392	3/8" FLAT WASHER PLTD
62	10-19598	7/16" NC NYLON LOCKNUT GR 2 PLTD
63	10-19599	1/2" NC NYLON LOCKNUT GR 2 PLTD
64	10-19980	5/16" NC NYLON LOCKNUT PLTD
65	10-28449	1/4" NC NYLON LOCKNUT PLTD
66	10-19596	3/8" NC SERRATED FLANGE NUT PLTD
67	10-17402	3/8" NC NYLON LOCKNUT PLTD
68	10-19864	5/8" NC HEX NUT PLTD
69	05-A122	PULLEY, 4.2 X 1-1/8, DBL B

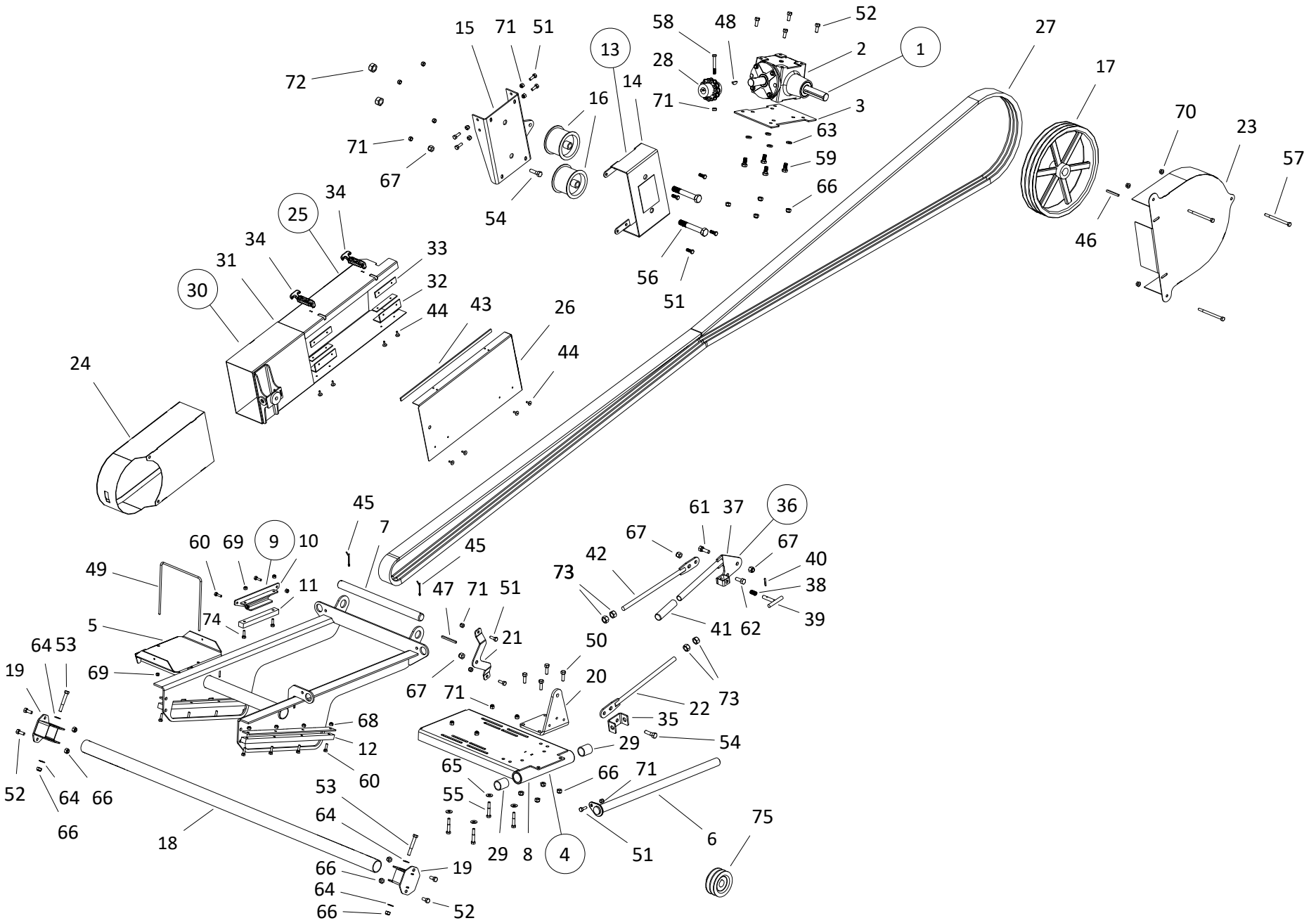
DRIVE COMPONENTS, STX2 8 | 10-36 (2020)



## DRIVE COMPONENTS, STX2 8 | 10-36 (2020)

ITEM	PART NO.	DESCRIPTION
1	10-23217	GEARBOX ASSEMBLY
2	10-29676	GEARBOX
3	10-23218	GEARBOX MOUNT PLATE
4	10-24055	ASSY, ENGINE SLIDER
5	10-24004	MNT, MTR SLIDER
6	10-24005	PIN, MTR SLIDE RAIL
7	10-24006	PIN, MOTOR PIVOT
8	10-24023	MNT, MTR ASSEM
9	10-24234	ENGINE SLIDER ASSY
10	10-24025	BRKT, SLIDER MOUNT
11	10-24031	MNT, UHMW ENGINE SLIDER
12	BU-0101177	UHMW SLIDER
13	10-24032	BELT TENSIONER IDLER FRM ASSY
14	10-24037	BELT TENSIONER IDLER FRONT PLT
15	10-24062	IDLER MOUNT
16	10-23834	4" X 3/4" IDLER PULLEY (FOR 3 BELT)
17	10-19950	PULLEY, 15 X 1.25 DBL B
18	10-24017	TUBE, MTR LEVELLER
19	10-24003	BRKT, LEVELLER TUBE MNT
20	10-24022	MNT, MTR PUSH PLATE
21	10-24078	GUARD RETAINER PLATE
22	200536PL	WELDT STX2 MNL BLT ENGAGE GUIDE ROD
23	200540RD	ASSY STX2 CLOSED GUARD PULLEY COVER
24	10-24065	CLUTCH GUARD
25	200559RD	ASSY, STX2 36 CLOSED GUARD
26	200561RD	BRKT, STX2 36 CLOSED GUARD COVER
27	10-23196	B210 DOUBLE BANDED BELT
28	10-19674	CPLR, 1.25BOLT X 1" KEY
29	10-19776	BUSHING, 1-1/4"
30	05-A452	MANUAL BELT ENGAGE KIT
31	200560RD	WELD'T, STX2 36 CLOSED GUARD
32	200547	3" X 4-3/4" X 1/8" 2 PLY BELT
33	10-22049	4-3/4 BELTING ATTACH STRAP
34	200537	RUBBER DRAW LATCH
35	200534RD	BRKT, STX2 MANUAL BELT ENGAGE MNT
36	200532RD	ASSY, STX2 MANUAL BELT ENGAGE HANDL
37	200533RD	WELDT, STX2 MANUAL BELT ENGAGE HNDL
38	10-28645	COMPRESSION SPRING (SINGLE)
39	10-28856	LOCK PIN, MK FLEX
40	10-28726	SLOTTED SPRING PIN 3/16 X 1-1/2 PLN
41	0200007-4	7/8" HANDLE GRIP
42	200535PL	WELD'T STX2 MNL BLT ENGAGE THRDD RD
43	200628	FOAM STRIP, STX2 CLOSED GUARD
44	10-18185	LARGE FLANGE RIVET
45	10-17757	COTTER PIN 3/16 X 1-3/4 C.ZINC PLTD
46	10-17854	1/4" X 2-1/2" SQUARE KEY
47	10-19607	KEY, 1/4" X 3" SQ
48	10-19224	1/4" X 1" WOODRUFF KEY
49	10-28448	UBOLTSQ1/4NCX8-1/4X9-3/4X4THDGR5PLT
50	10-18698	7/16" X 1-1/4" NC BOLT GR 8 PLTD

**DRIVE COMPONENTS, STX2 8 | 10-36 (2020)**

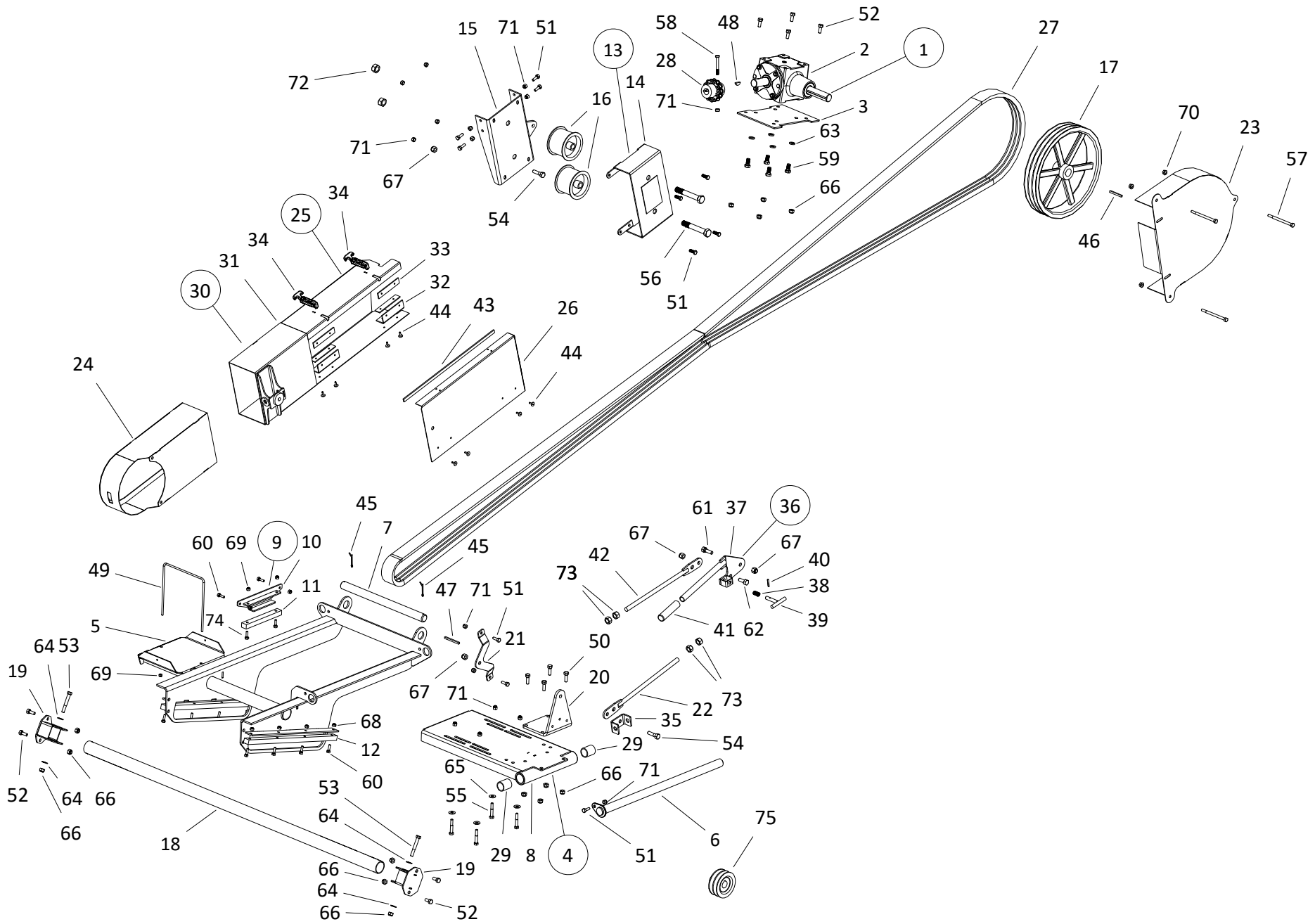




## DRIVE COMPONENTS, STX2 8 | 10-36 (2020)

ITEM	PART NO.	DESCRIPTION
51	10-18955	3/8" X 1" NC BOLT GR 5 PLTD
52	10-19542	7/16" X 1" NC BOLT GR 5 PLTD
53	10-19546	7/16" X 3" NC BOLT GR 5 PLTD
54	10-19974	1/2" X 1-3/4" NC BOLT GR 8 PLTD
55	10-28745	3/8" X 2-1/4" NC BOLT GR 5 PLTD
56	10-23837	3/4" X 5" NC BOLT GR 5 PLTD
57	10-23513	3/8" X 5" NC BOLT GR 5 PLTD
58	10-19541	3/8" X 2-3/4" NC BOLT GR 2 PLTD
59	10-19231	1/2" X 1" NC BOLT GR 5 PLTD
60	10-18091	5/16" X 1" NC BOLT GR 2 PLTD
61	10-19589	1/2" X 1-1/2" NC BOLT GR 8 PLTD
62	10-19588	1/2" X 1-1/4" NC BOLT GR 5 PLTD
63	10-19605	1/2" LOCK WASHER PLTD
64	10-28485	7/16" SAE WASHER PLTD
65	10-17392	3/8" FLAT WASHER PLTD
66	10-19598	7/16" NC NYLON LOCKNUT GR 2 PLTD
67	10-19599	1/2" NC NYLON LOCKNUT GR 2 PLTD
68	10-19980	5/16" NC NYLON LOCKNUT PLTD
69	10-28449	1/4" NC NYLON LOCKNUT PLTD
70	10-19596	3/8" NC SERRATED FLANGE NUT PLTD
71	10-17402	3/8" NC NYLON LOCKNUT PLTD
72	10-19601	3/4" NC NYLON LOCKNUT PLTD
73	10-19864	5/8" NC HEX NUT PLTD
74	10-19988	1/4" X 1" NC BOLT GR 2 PLTD
75	05-A122	PULLEY, 4.2 X 1-1/8, DBL B

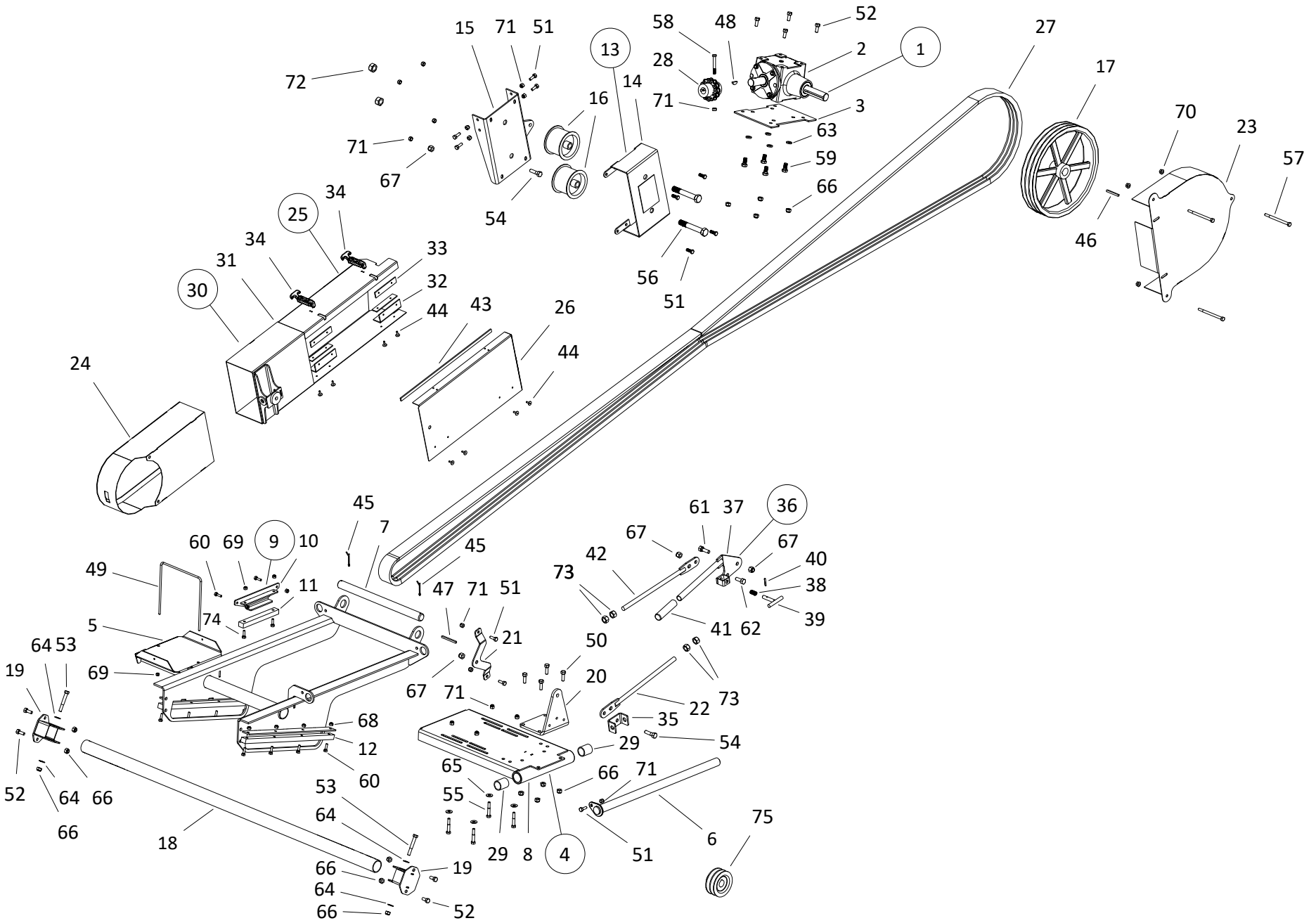
# DRIVE COMPONENTS, STX2 8 | 10-41 (2020)



## DRIVE COMPONENTS, STX2 8 | 10-41 (2020)

ITEM	PART NO.	DESCRIPTION
1	10-23217	GEARBOX ASSEMBLY
2	10-29676	GEARBOX
3	10-23218	GEARBOX MOUNT PLATE
4	10-24055	ASSY, ENGINE SLIDER
5	10-24004	MNT, MTR SLIDER
6	10-24005	PIN, MTR SLIDE RAIL
7	10-24006	PIN, MOTOR PIVOT
8	10-24023	MNT, MTR ASSEM
9	10-24234	ENGINE SLIDER ASSY
10	10-24025	BRKT, SLIDER MOUNT
11	10-24031	MNT, UHMW ENGINE SLIDER
12	BU-0101177	UHMW SLIDER
13	10-24032	BELT TENSIONER IDLER FRM ASSY
14	10-24037	BELT TENSIONER IDLER FRONT PLT
15	10-24062	IDLER MOUNT
16	10-23834	4" X 3/4" IDLER PULLEY (FOR 3 BELT)
17	10-19950	PULLEY, 15 X 1.25 DBL B
18	10-24017	TUBE, MTR LEVELLER
19	10-24003	BRKT, LEVELLER TUBE MNT
20	10-24022	MNT, MTR PUSH PLATE
21	10-24078	GUARD RETAINER PLATE
22	200536PL	WELDT STX2 MNL BLT ENGAGE GUIDE ROD
23	200540RD	ASSY STX2 CLOSED GUARD PULLEY COVER
24	10-24065	CLUTCH GUARD
25	200554RD	ASSY, STX2 41 CLOSED GUARD
26	200556RD	BRKT, STX2 41 CLOSED GUARD COVER
27	10-23197	B240 DOUBLE BANDED BELT
28	10-19674	CPLR, 1.25BOLT X 1" KEY
29	10-19776	BUSHING, 1-1/4"
30	05-A453	MANUAL BELT ENGAGE KIT
31	200555RD	WELD'T, STX2 41 CLOSED GUARD
32	200547	3" X 4-3/4" X 1/8" 2 PLY BELT
33	10-22049	4-3/4 BELTING ATTACH STRAP
34	200537	RUBBER DRAW LATCH
35	200534RD	BRKT, STX2 MANUAL BELT ENGAGE MNT
36	200532RD	ASSY, STX2 MANUAL BELT ENGAGE HANDL
37	200533RD	WELDT, STX2 MANUAL BELT ENGAGE HNDL
38	10-28645	COMPRESSION SPRING (SINGLE)
39	10-28856	LOCK PIN, MK FLEX
40	10-28726	SLOTTED SPRING PIN 3/16 X 1-1/2 PLN
41	0200007-4	7/8" HANDLE GRIP
42	200535PL	WELD'T STX2 MNL BLT ENGAGE THRDD RD
43	200627	FOAM STRIP, STX2 CLOSED GUARD
44	10-18185	LARGE FLANGE RIVET
45	10-17757	COTTER PIN 3/16 X 1-3/4 C.ZINC PLTD
46	10-17854	1/4" X 2-1/2" SQUARE KEY
47	10-19607	KEY, 1/4" X 3" SQ
48	10-19224	1/4" X 1" WOODRUFF KEY
49	10-28448	UBOLTSQ1/4NCX8-1/4X9-3/4X4THDGR5PLT
50	10-18698	7/16" X 1-1/4" NC BOLT GR 8 PLTD

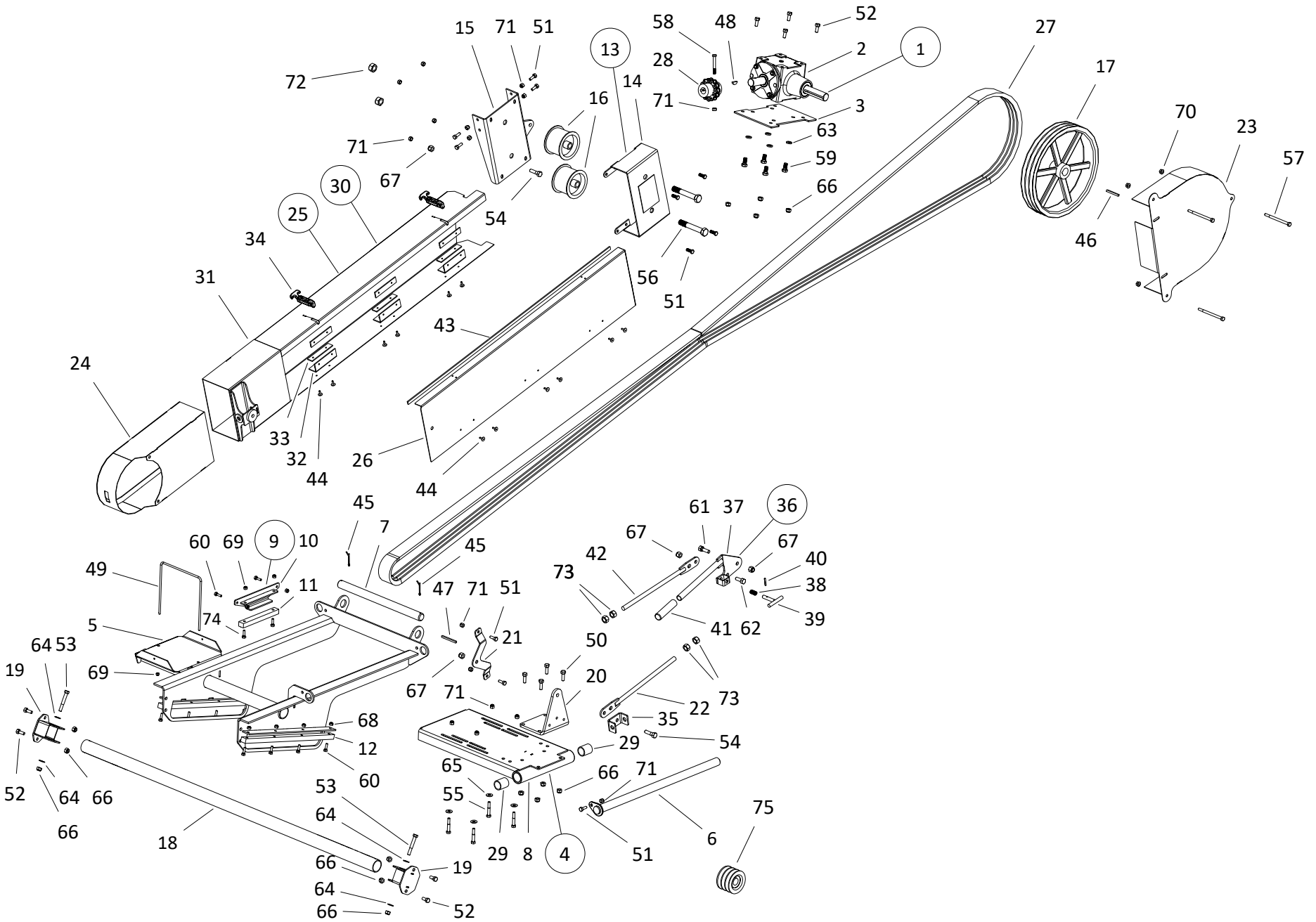
DRIVE COMPONENTS, STX2 8 | 10-41 (2020)



## DRIVE COMPONENTS, STX2 8 | 10-41 (2020)

ITEM	PART NO.	DESCRIPTION
51	10-18955	3/8" X 1" NC BOLT GR 5 PLTD
52	10-19542	7/16" X 1" NC BOLT GR 5 PLTD
53	10-19546	7/16" X 3" NC BOLT GR 5 PLTD
54	10-19974	1/2" X 1-3/4" NC BOLT GR 8 PLTD
55	10-28745	3/8" X 2-1/4" NC BOLT GR 5 PLTD
56	10-23837	3/4" X 5" NC BOLT GR 5 PLTD
57	10-23513	3/8" X 5" NC BOLT GR 5 PLTD
58	10-19541	3/8" X 2-3/4" NC BOLT GR 2 PLTD
59	10-19231	1/2" X 1" NC BOLT GR 5 PLTD
60	10-18091	5/16" X 1" NC BOLT GR 2 PLTD
61	10-19589	1/2" X 1-1/2" NC BOLT GR 8 PLTD
62	10-19588	1/2" X 1-1/4" NC BOLT GR 5 PLTD
63	10-19605	1/2" LOCK WASHER PLTD
64	10-28485	7/16" SAE WASHER PLTD
65	10-17392	3/8" FLAT WASHER PLTD
66	10-19598	7/16" NC NYLON LOCKNUT GR 2 PLTD
67	10-19599	1/2" NC NYLON LOCKNUT GR 2 PLTD
68	10-19980	5/16" NC NYLON LOCKNUT PLTD
69	10-28449	1/4" NC NYLON LOCKNUT PLTD
70	10-19596	3/8" NC SERRATED FLANGE NUT PLTD
71	10-17402	3/8" NC NYLON LOCKNUT PLTD
72	10-19601	3/4" NC NYLON LOCKNUT PLTD
73	10-19864	5/8" NC HEX NUT PLTD
74	10-19988	1/4" X 1" NC BOLT GR 2 PLTD
75	05-A122	PULLEY, 4.2 X 1-1/8, DBL B

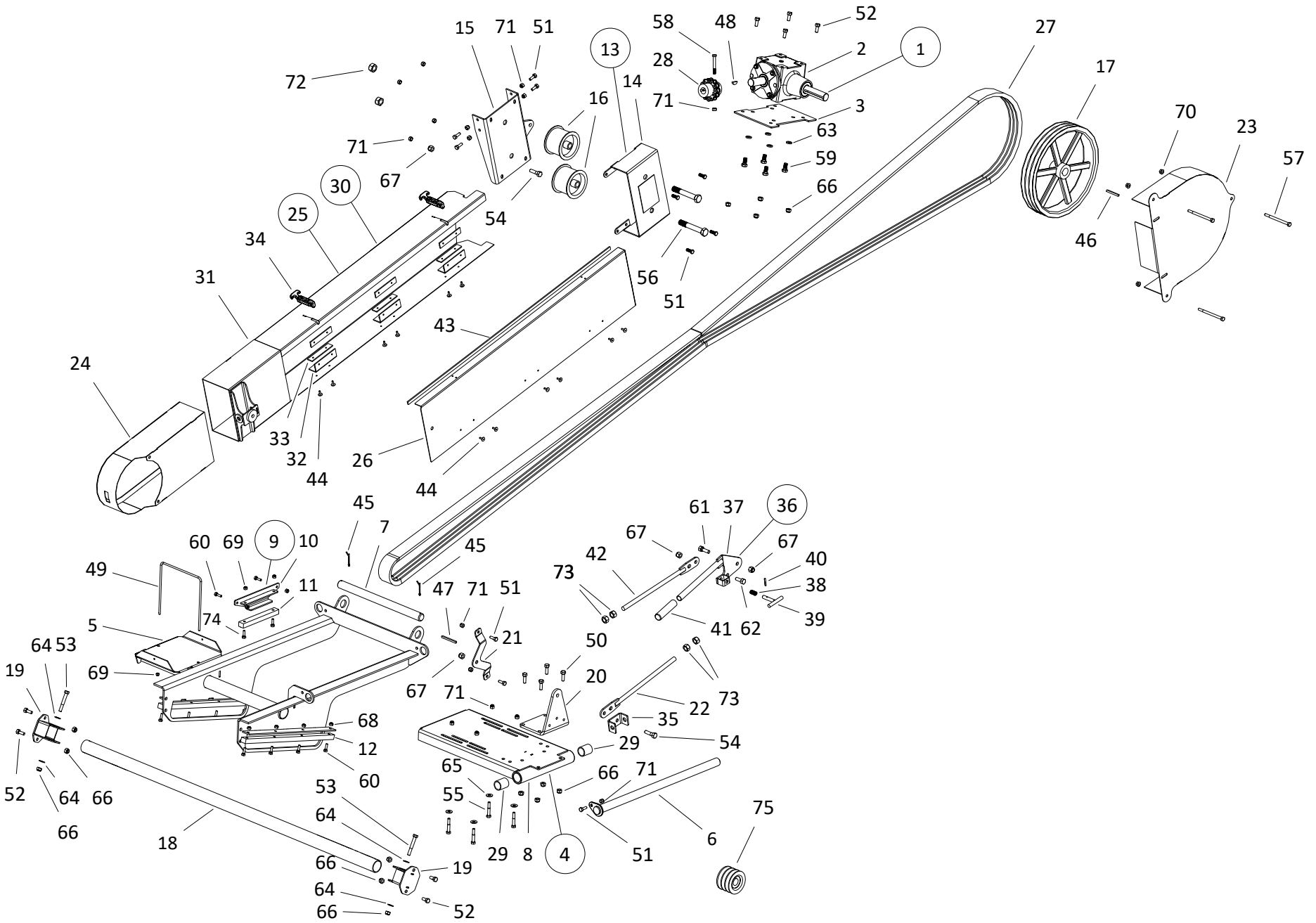
**DRIVE COMPONENTS, STX2 8 | 10-46 (2020)**



## DRIVE COMPONENTS, STX2 8 | 10-46 (2020)

ITEM	PART NO.	DESCRIPTION
1	10-23217	GEARBOX ASSEMBLY
2	10-29676	GEARBOX
3	10-23218	GEARBOX MOUNT PLATE
4	10-24055	ASSY, ENGINE SLIDER
5	10-24004	MNT, MTR SLIDER
6	10-24005	PIN, MTR SLIDE RAIL
7	10-24006	PIN, MOTOR PIVOT
8	10-24023	MNT, MTR ASSEM
9	10-24234	ENGINE SLIDER ASSY
10	10-24025	BRKT, SLIDER MOUNT
11	10-24031	MNT, UHMW ENGINE SLIDER
12	BU-0101177	UHMW SLIDER
13	10-24032	BELT TENSIONER IDLER FRM ASSY
14	10-24037	BELT TENSIONER IDLER FRONT PLT
15	10-24062	IDLER MOUNT
16	10-23834	4" X 3/4" IDLER PULLEY (FOR 3 BELT)
17	10-19950	15" X 1-1/4" DOUBLE B GROOVE PULLEY (8 X 46 ONLY)
17	10-19933	PULLEY, 15 X 1.25, TRPL B (10 x 46 ONLY)
18	10-24017	TUBE, MTR LEVELLER
19	10-24003	BRKT, LEVELLER TUBE MNT
20	10-24022	MNT, MTR PUSH PLATE
21	10-24078	GUARD RETAINER PLATE
22	200536PL	WELDT STX2 MNL BLT ENGAGE GUIDE ROD
23	200540RD	ASSY STX2 CLOSED GUARD PULLEY COVER
24	10-24065	CLUTCH GUARD
25	200549RD	ASSY, STX2 46 CLOSED GUARD
26	200551RD	BRKT, STX2 46 CLOSED GUARD COVER
27	10-23198	B270 DOUBLE BANDED BELT (8 X 46 ONLY)
27	10-24043	B270 TRIPLE BANDED BELT (10 X 46 ONLY)
28	10-19674	CPLR, 1.25BOLT X 1" KEY
29	10-19776	BUSHING, 1-1/4"
30	05-A454	MANUAL BELT ENGAGE KIT
31	200550RD	WELD'T, STX2 46 CLOSED GUARD
32	200547	3" X 4-3/4" X 1/8" 2 PLY BELT
33	10-22049	4-3/4 BELTING ATTACH STRAP
34	200537	RUBBER DRAW LATCH
35	200534RD	BRKT, STX2 MANUAL BELT ENGAGE MNT
36	200532RD	ASSY, STX2 MANUAL BELT ENGAGE HANDL
37	200533RD	WELDT, STX2 MANUAL BELT ENGAGE HNDL
38	10-28645	COMPRESSION SPRING (SINGLE)
39	10-28856	LOCK PIN, MK FLEX
40	10-28726	SLOTTED SPRING PIN 3/16 X 1-1/2 PLN
41	0200007-4	7/8" HANDLE GRIP
42	200535PL	WELD'T STX2 MNL BLT ENGAGE THRDD RD
43	200626	FOAM STRIP, STX2 CLOSED GUARD
44	10-18185	LARGE FLANGE RIVET
45	10-17757	COTTER PIN 3/16 X 1-3/4 C.ZINC PLTD
46	10-17854	1/4" X 2-1/2" SQUARE KEY
47	10-19607	KEY, 1/4" X 3" SQ
48	10-19224	1/4" X 1" WOODRUFF KEY

**DRIVE COMPONENTS, STX2 8 | 10-46 (2020)**

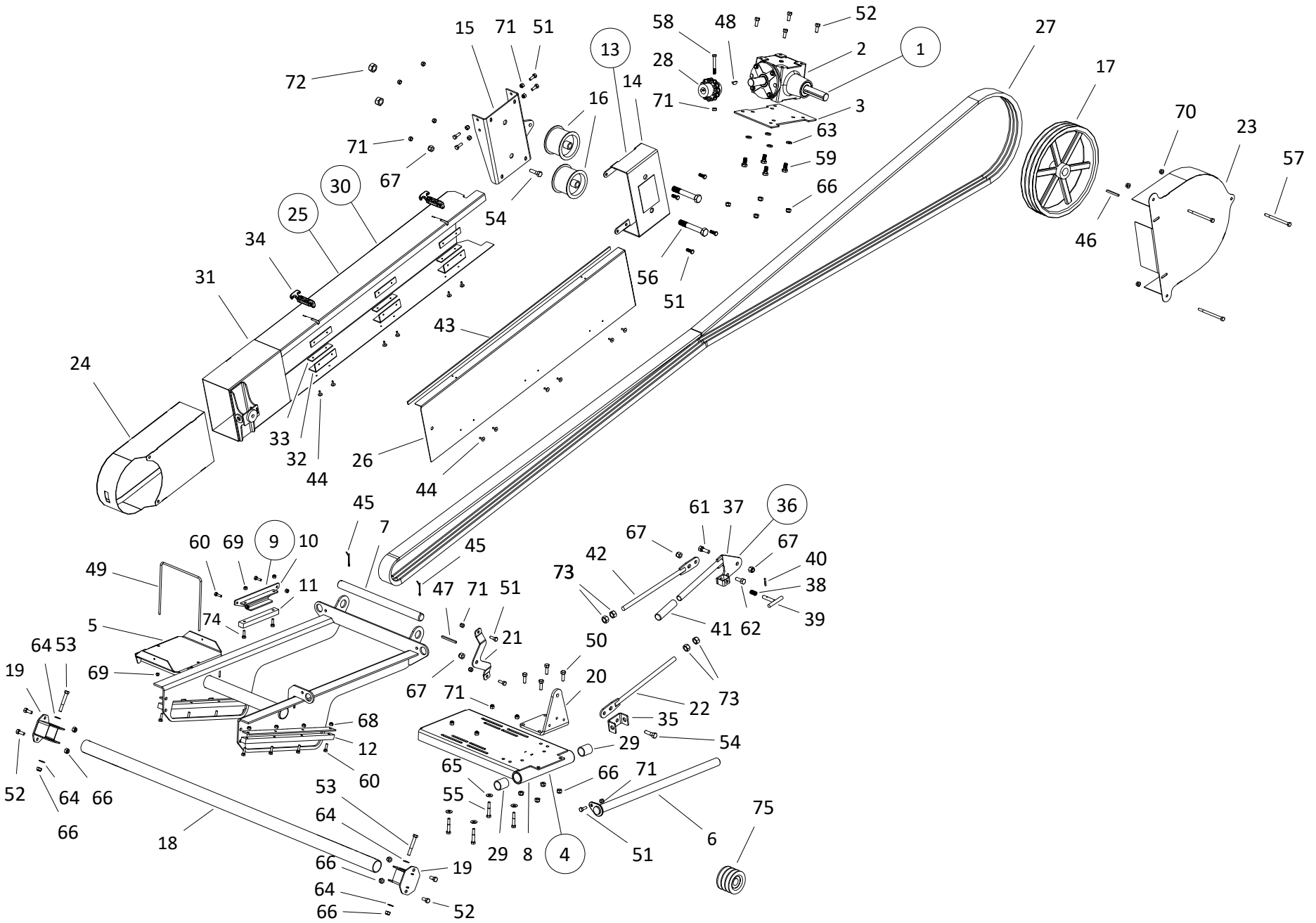




## DRIVE COMPONENTS, STX2 8 | 10-46 (2020)

ITEM	PART NO.	DESCRIPTION
49	10-28448	UBOLTSQ1/4NCX8-1/4X9-3/4X4THDGR5PLT
50	10-18698	7/16" X 1-1/4" NC BOLT GR 8 PLTD
51	10-18955	3/8" X 1" NC BOLT GR 5 PLTD
52	10-19542	7/16" X 1" NC BOLT GR 5 PLTD
53	10-19546	7/16" X 3" NC BOLT GR 5 PLTD
54	10-19974	1/2" X 1-3/4" NC BOLT GR 8 PLTD
55	10-28745	3/8" X 2-1/4" NC BOLT GR 5 PLTD
56	10-23837	3/4" X 5" NC BOLT GR 5 PLTD
57	10-23513	3/8" X 5" NC BOLT GR 5 PLTD
58	10-19541	3/8" X 2-3/4" NC BOLT GR 2 PLTD
59	10-19231	1/2" X 1" NC BOLT GR 5 PLTD
60	10-18091	5/16" X 1" NC BOLT GR 2 PLTD
61	10-19589	1/2" X 1-1/2" NC BOLT GR 8 PLTD
62	10-19588	1/2" X 1-1/4" NC BOLT GR 5 PLTD
63	10-19605	1/2" LOCK WASHER PLTD
64	10-28485	7/16" SAE WASHER PLTD
65	10-17392	3/8" FLAT WASHER PLTD
66	10-19598	7/16" NC NYLON LOCKNUT GR 2 PLTD
67	10-19599	1/2" NC NYLON LOCKNUT GR 2 PLTD
68	10-19980	5/16" NC NYLON LOCKNUT PLTD
69	10-28449	1/4" NC NYLON LOCKNUT PLTD
70	10-19596	3/8" NC SERRATED FLANGE NUT PLTD
71	10-17402	3/8" NC NYLON LOCKNUT PLTD
72	10-19601	3/4" NC NYLON LOCKNUT PLTD
73	10-19864	5/8" NC HEX NUT PLTD
74	10-19988	1/4" X 1" NC BOLT GR 2 PLTD
75	05-A122	PULLEY, 4.2 X 1-1/8, DBL B (8 x 46 ONLY)
75	05-A268	3.75" X 1-1/8" TRIPLE B GROOVE PULL (10 x 46 ONLY)

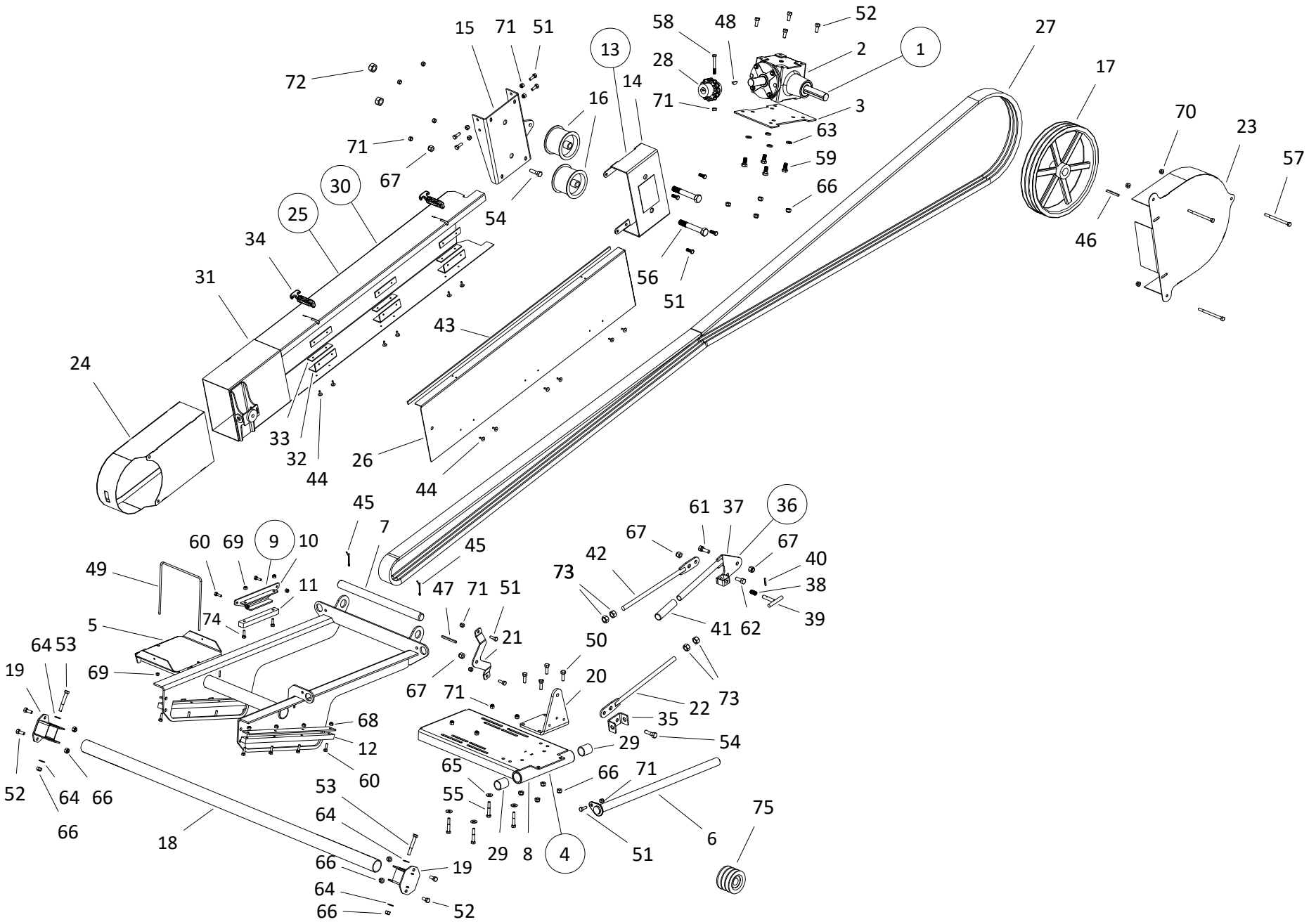
**DRIVE COMPONENTS, STX2 8 | 10-51 (2020)**



## DRIVE COMPONENTS, STX2 8 | 10-51 (2020)

ITEM	PART NO.	DESCRIPTION
1	10-23217	GEARBOX ASSEMBLY
2	10-29676	GEARBOX
3	10-23218	GEARBOX MOUNT PLATE
4	10-24055	ASSY, ENGINE SLIDER
5	10-24004	MNT, MTR SLIDER
6	10-24005	PIN, MTR SLIDE RAIL
7	10-24006	PIN, MOTOR PIVOT
8	10-24023	MNT, MTR ASSEM
9	10-24234	ENGINE SLIDER ASSY
10	10-24025	BRKT, SLIDER MOUNT
11	10-24031	MNT, UHMW ENGINE SLIDER
12	BU-0101177	UHMW SLIDER
13	10-24032	BELT TENSIONER IDLER FRM ASSY
14	10-24037	BELT TENSIONER IDLER FRONT PLT
15	10-24062	IDLER MOUNT
16	10-23834	4" X 3/4" IDLER PULLEY (FOR 3 BELT)
17	10-19950	15" X 1-1/4" DOUBLE B GROOVE PULLEY (8 X 51 ONLY)
17	10-19933	PULLEY, 15 X 1.25, TRPL B (10" X 51' ONLY)
18	10-24017	TUBE, MTR LEVELLER
19	10-24003	BRKT, LEVELLER TUBE MNT
20	10-24022	MNT, MTR PUSH PLATE
21	10-24078	GUARD RETAINER PLATE
22	200536PL	WELDT STX2 MNL BLT ENGAGE GUIDE ROD
23	200540RD	ASSY STX2 CLOSED GUARD PULLEY COVER
24	10-24065	CLUTCH GUARD
25	200544RD	ASSY, STX2 51 CLOSED GUARD
26	200546RD	BRKT, STX2 51 CLOSED GUARD COVER
27	10-23199	B300 DOUBLE BANDED BELT (8" X 51' ONLY)
27	10-23729	B300 TRIPLE BANDED BELT (10" X 51' ONLY)
28	10-19674	CPLR, 1.25BOLT X 1" KEY
29	10-19776	BUSHING, 1-1/4"
30	05-A455	MANUAL BELT ENGAGE KIT
31	200545RD	WELD'T STX2 51 CLOSED GUARD
32	200547	3" X 4-3/4" X 1/8" 2 PLY BELT
33	10-22049	4-3/4 BELTING ATTACH STRAP
34	200537	RUBBER DRAW LATCH
35	200534RD	BRKT, STX2 MANUAL BELT ENGAGE MNT
36	200532RD	ASSY, STX2 MANUAL BELT ENGAGE HANDL
37	200533RD	WELDT, STX2 MANUAL BELT ENGAGE HNDL
38	10-28645	COMPRESSION SPRING (SINGLE)
39	10-28856	LOCK PIN, MK FLEX
40	10-28726	SLOTTED SPRING PIN 3/16 X 1-1/2 PLN
41	0200007-4	7/8" HANDLE GRIP
42	200535PL	WELD'T STX2 MNL BLT ENGAGE THRDD RD
43	200625	FOAM STRIP, STX2 CLOSED GUARD
44	10-18185	LARGE FLANGE RIVET
45	10-17757	COTTER PIN 3/16 X 1-3/4 C.ZINC PLTD
46	10-17854	1/4" X 2-1/2" SQUARE KEY
47	10-19607	KEY, 1/4" X 3" SQ
48	10-19224	1/4" X 1" WOODRUFF KEY

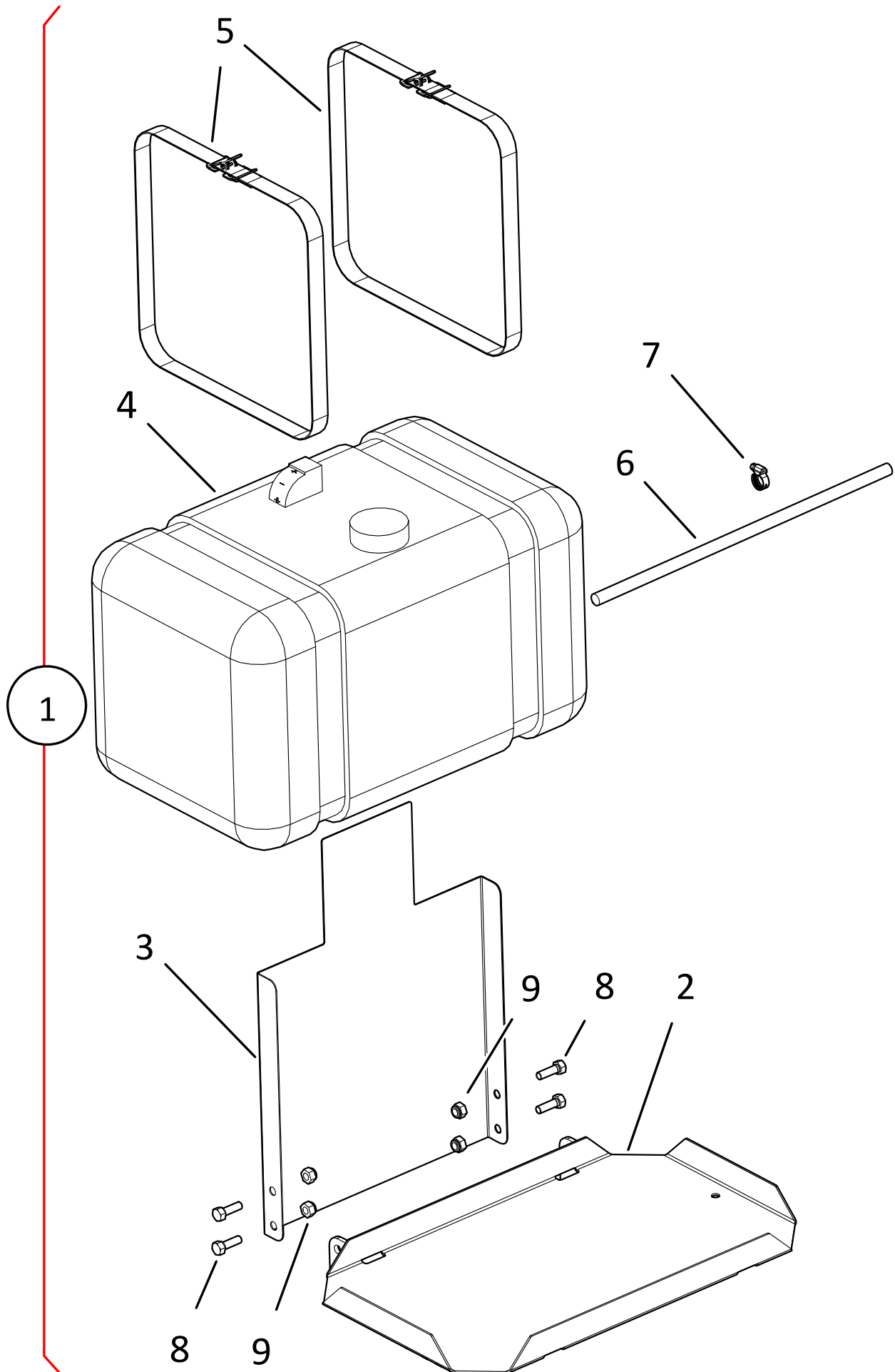
**DRIVE COMPONENTS, STX2 8 | 10-51 (2020)**



## DRIVE COMPONENTS, STX2 8 | 10-51 (2020)

ITEM	PART NO.	DESCRIPTION
49	10-28448	UBOLTSQ1/4NCX8-1/4X9-3/4X4THDGR5PLT
50	10-18698	7/16" X 1-1/4" NC BOLT GR 8 PLTD
51	10-18955	3/8" X 1" NC BOLT GR 5 PLTD
52	10-19542	7/16" X 1" NC BOLT GR 5 PLTD
53	10-19546	7/16" X 3" NC BOLT GR 5 PLTD
54	10-19974	1/2" X 1-3/4" NC BOLT GR 8 PLTD
55	10-28745	3/8" X 2-1/4" NC BOLT GR 5 PLTD
56	10-23837	3/4" X 5" NC BOLT GR 5 PLTD
57	10-23513	3/8" X 5" NC BOLT GR 5 PLTD
58	10-19541	3/8" X 2-3/4" NC BOLT GR 2 PLTD
59	10-19231	1/2" X 1" NC BOLT GR 5 PLTD
60	10-18091	5/16" X 1" NC BOLT GR 2 PLTD
61	10-19589	1/2" X 1-1/2" NC BOLT GR 8 PLTD
62	10-19588	1/2" X 1-1/4" NC BOLT GR 5 PLTD
63	10-19605	1/2" LOCK WASHER PLTD
64	10-28485	7/16" SAE WASHER PLTD
65	10-17392	3/8" FLAT WASHER PLTD
66	10-19598	7/16" NC NYLON LOCKNUT GR 2 PLTD
67	10-19599	1/2" NC NYLON LOCKNUT GR 2 PLTD
68	10-19980	5/16" NC NYLON LOCKNUT PLTD
69	10-28449	1/4" NC NYLON LOCKNUT PLTD
70	10-19596	3/8" NC SERRATED FLANGE NUT PLTD
71	10-17402	3/8" NC NYLON LOCKNUT PLTD
72	10-19601	3/4" NC NYLON LOCKNUT PLTD
73	10-19864	5/8" NC HEX NUT PLTD
74	10-19988	1/4" X 1" NC BOLT GR 2 PLTD
75	05-A122	PULLEY, 4.2 X 1-1/8, DBL B (8 x 51 ONLY)
75	05-A268	3.75" X 1-1/8" TRIPLE B GROOVE PULL (10 x 51 ONLY)

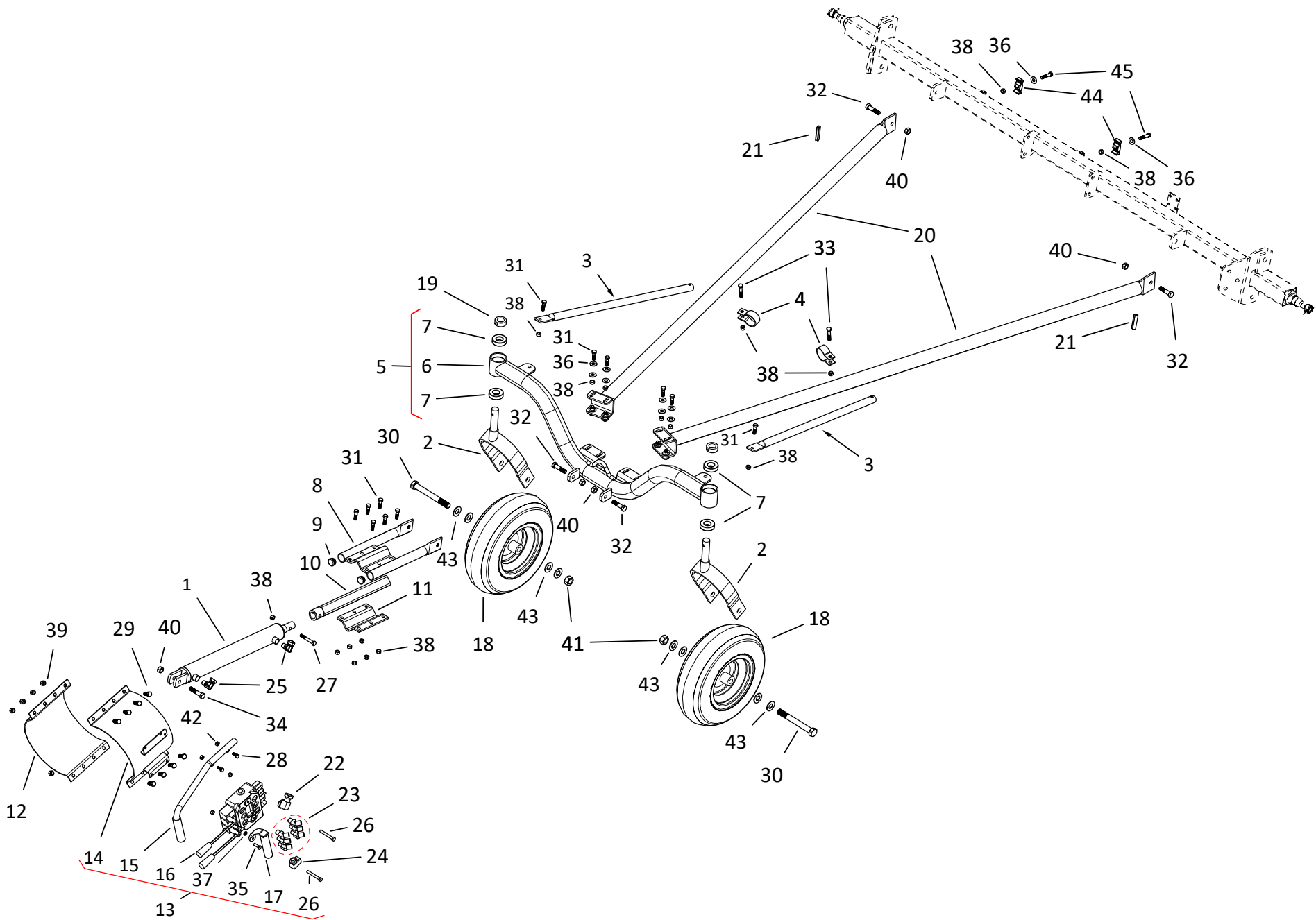
# GAS TANK KIT (A415)



## GAS TANK KIT (A415)

ITEM	PART NO.	DESCRIPTION
1	05-A415	STX2 (2019) GAS TANK PKG
2	10-24007	MNT, GAS TANK, STX
3	10-24018	HEAT SHIELD, STX2/XTA
4	10-23121	FUEL TANK (TALL), 12 GALLON
5	10-23122	STRAP, NYLON - 54" W/SPRING BUCKLE
6	10-24106	1/4 FUEL HOSE, 60"
7	1200024	1/4" HOSE CLAMP
8	10-18698	7/16" X 1-1/4" NC BOLT GR 8 PLTD
9	10-19598	7/16" NC NYLON LOCKNUT GR 2 PLTD

SP KIT FRAME COMPONENTS (31 & 36 ft)

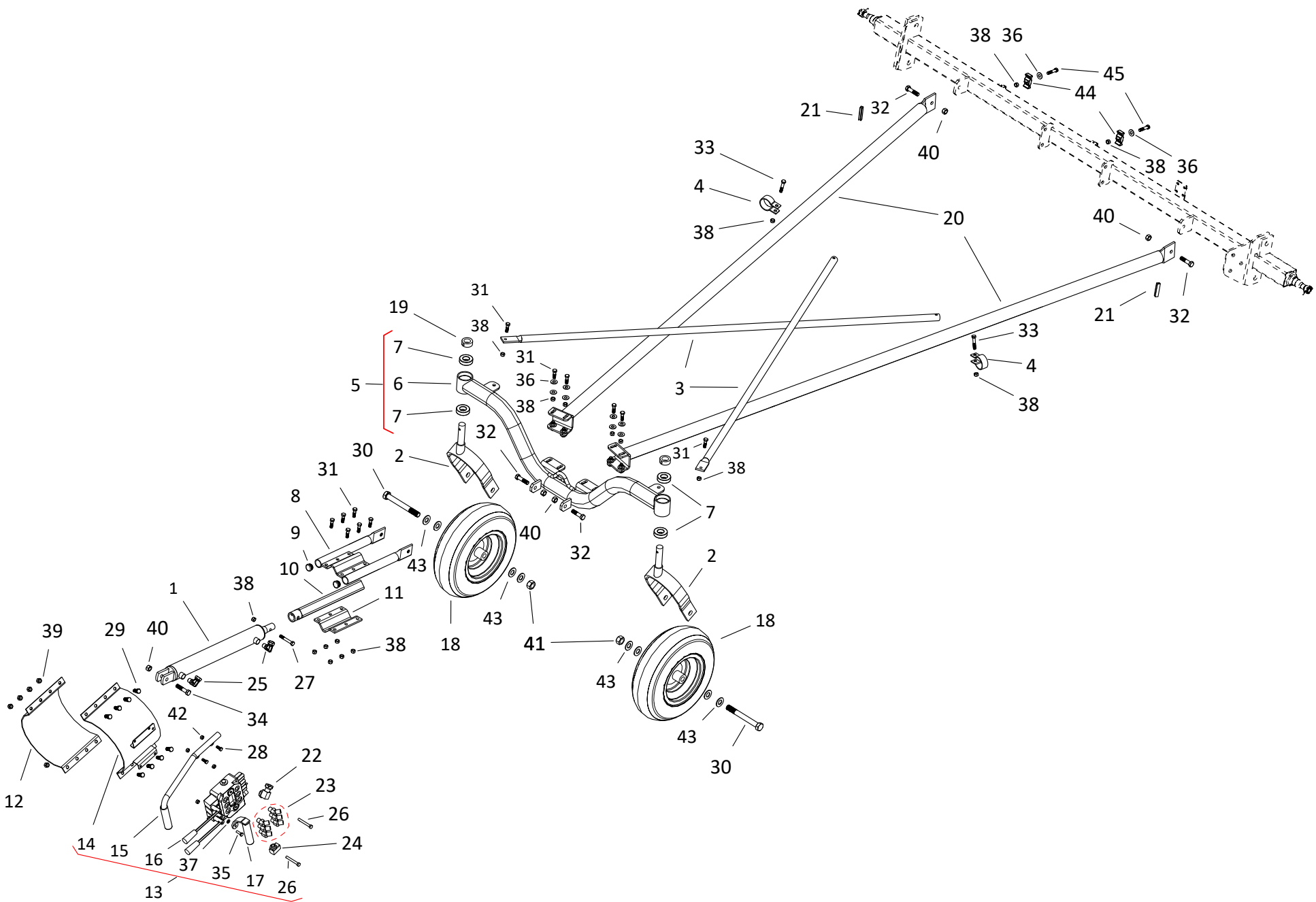




## SP KIT FRAME COMPONENTS (31 & 36 ft)

ITEM	PART NO.	DESCRIPTION
1	10-28179	HYD CYLINDER
2	10-28168	WHEEL YOKE, W/COLLAR
3	10-23630	CROSS BRACE PIPE
4	10-28174	CROSS BRACE CLAMPBAND
5	0200322	WHEEL V FRAME ASSY, W/BRGS,NARROW
6	0200322A	WHEEL V FRAME ASSY, NARROW, NO BRGS
7	10-28176	BALL BEARING, 1" ID
8	10-23265	SP RAM MOUNT
9	9900339	1" ROUND POLY PLUG
10	10-23696	RAM EXT PIPE, 12"
11	10-29747	RAM MOUNT A-FRAME CLAMP
12	10-29750	8" HALF CLAMP (8" ONLY)
12	10-29773	10" HALF CLAMP (10" ONLY)
13	10-29757	8" HALF CLAMP VALVE MOUNT W/VALVE (8" ONLY)
13	10-29776	10" HALF CLAMP VALVE MOUNT W/VALVE (10" ONLY)
14	10-29756	8" HALF CLAMP VALVE MOUNT (8" ONLY)
14	10-29775	10" HALF CLAMP VALVE MOUNT (10" ONLY)
15	10-28218	BAR HANDLE
16	10-28505	3 SPOOL VALVE ONLY
17	10-28219	CONTROL HANDLE
18	10-28169	WHEEL & TIRE
19	10-28177	COLLAR, 1"
20	10-23260	SP REACH ARM (31' ONLY)
20	10-23261	SP REACH ARM (36' ONLY)
21	10-23616	EDGE TRIM, 2-1/4"
22	10-20104	STEEL ELBOW, 90, 10 MORB X 1/2 NSPM
23	10-28504	STEEL ELBOW, 45, 6 MORB X 6 MJIC
24	10-28654	STEEL ELBOW, 90, 8 MORB X 8 FNPTX
25	10-28757	STEEL ELBOW, 90, 6 MNPT X 6 FNPSM
26	10-17631	5/16" X 2-1/2" NC BOLT GR 2 PLTD.
27	10-18699	3/8" X 2-1/2" NC BOLT GR 5 PLTD
28	10-19538	CAP SCREW, 5/16" - 18 x 3/4"
29	10-18698	7/16" X 1-1/4" NC BOLT GR 8 PLTD
30	10-19593	3/4" X 6-1/2" NC BOLT GR 8 PLTD
31	10-19975	3/8" X 1-1/4" NC BOLT GR 5 PLTD
32	10-19974	1/2" X 1-3/4" NC BOLT GR 8 PLTD
33	10-27979	3/8" X 2" NC BOLT GR 5 PLTD
34	9900560	1/2" X 2-1/4" NC BOLT GR 5 PLTD
35	9900852	M8 X 1.25 X 25 GR 8.8 BOLT PLT
36	10-17392	3/8" FLAT WASHER PLTD
37	10-19603	LOCKWASHER, 5/16"
38	10-17402	3/8" NC NYLON LOCKNUT PLTD
39	10-19598	7/16" NC NYLON LOCKNUT GR 2 PLTD
40	10-19599	1/2" NC NYLON LOCKNUT GR 2 PLTD
41	10-19601	3/4" NC NYLON LOCKNUT PLTD
42	10-19980	5/16" NC NYLON LOCKNUT PLTD
43	10-19979	3/4" FLAT WASHER PLTD
44	10-28732	LINE BLOCK
45	10-28450	3/8" X 1-3/4" NC BOLT GRADE 5 PLTD

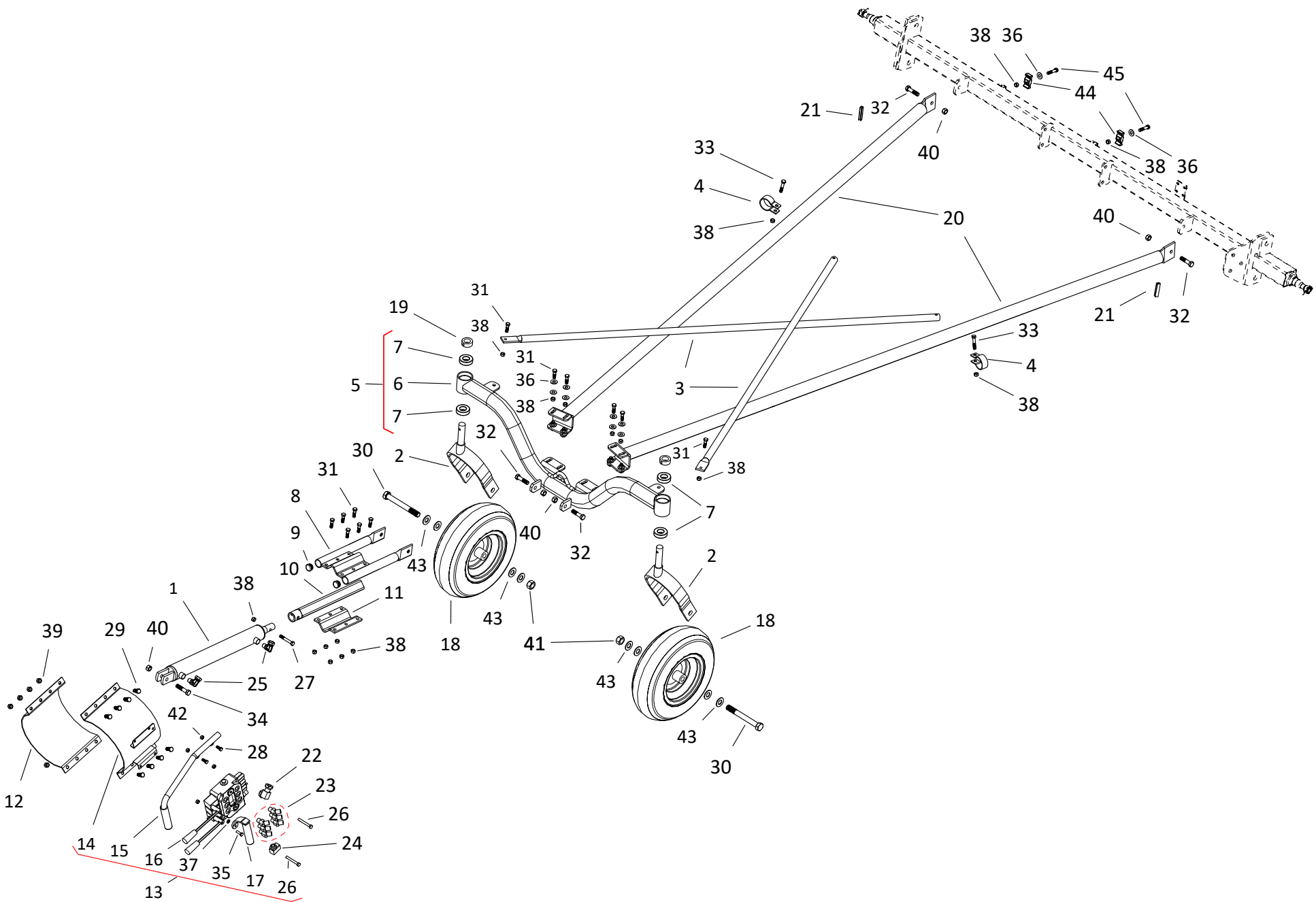
SP KIT FRAME COMPONENTS (41, 46 & 51 ft)



## SP KIT FRAME COMPONENTS (41, 46 & 51 ft)

ITEM	PART NO.	DESCRIPTION
1	10-28179	HYD CYLINDER
2	10-28168	WHEEL YOKE, W/COLLAR
3	10-28199	Cross brace pipe
4	10-28174	CROSS BRACE CLAMPBAND
5	0200322	WHEEL V FRAME ASSY, W/BRGS,NARROW
6	0200322A	WHEEL V FRAME ASSY, NARROW, NO BRGS
7	10-28176	BALL BEARING, 1" ID
8	10-23265	SP RAM MOUNT
9	9900339	1" ROUND POLY PLUG
10	10-23696	RAM EXT PIPE, 12" (41' ONLY)
10	10-23697	RAM EXT PIPE, 15-1/2" (46' ONLY)
10	10-23698	RAM EXT PIPE, 32-1/2" (51' ONLY)
11	10-29747	RAM MOUNT A-FRAME CLAMP
12	10-29750	8" HALF CLAMP (8" ONLY)
12	10-29773	10" HALF CLAMP (10" ONLY)
13	10-29757	8" HALF CLAMP VALVE MOUNT W/VALVE (8" ONLY)
13	10-29776	10" HALF CLAMP VALVE MOUNT W/VALVE (10" ONLY)
14	10-29756	8" HALF CLAMP VALVE MOUNT (8" ONLY)
14	10-29775	10" HALF CLAMP VALVE MOUNT (10" ONLY)
15	10-28218	BAR HANDLE
16	10-28505	3 SPOOL VALVE ONLY
17	10-28219	CONTROL HANDLE
18	10-28169	WHEEL & TIRE
19	10-28177	COLLAR, 1"
20	10-23262	SP REACH ARM (41' ONLY)
20	10-23263	SP REACH ARM (46' ONLY)
20	10-23264	SP REACH ARM (51' ONLY)
21	10-23616	EDGE TRIM, 2-1/4"
22	10-20104	STEEL ELBOW, 90, 10 MORB X 1/2 NSPM
23	10-28504	STEEL ELBOW, 45, 6 MORB X 6 MJIC
24	10-28654	STEEL ELBOW, 90, 8 MORB X 8 FNPTX
25	10-28757	STEEL ELBOW, 90, 6 MNPT X 6 FNPSM
26	10-17631	5/16" X 2-1/2" NC BOLT GR 2 PLTD.
27	10-18699	3/8" X 2-1/2" NC BOLT GR 5 PLTD
28	10-19538	CAP SCREW, 5/16" - 18 x 3/4"
29	10-18698	7/16" X 1-1/4" NC BOLT GR 8 PLTD
30	10-19593	3/4" X 6-1/2" NC BOLT GR 8 PLTD
31	10-19975	3/8" X 1-1/4" NC BOLT GR 5 PLTD
32	10-19974	1/2" X 1-3/4" NC BOLT GR 8 PLTD
33	10-27979	3/8" X 2" NC BOLT GR 5 PLTD
34	9900560	1/2" X 2-1/4" NC BOLT GR 5 PLTD
35	9900852	M8 X 1.25 X 25 GR 8.8 BOLT PLT
36	10-17392	3/8" FLAT WASHER PLTD
37	10-19603	LOCKWASHER, 5/16"
38	10-17402	3/8" NC NYLON LOCKNUT PLTD
39	10-19598	7/16" NC NYLON LOCKNUT GR 2 PLTD
40	10-19599	1/2" NC NYLON LOCKNUT GR 2 PLTD
41	10-19601	3/4" NC NYLON LOCKNUT PLTD
42	10-19980	5/16" NC NYLON LOCKNUT PLTD
43	10-19979	3/4" FLAT WASHER PLTD

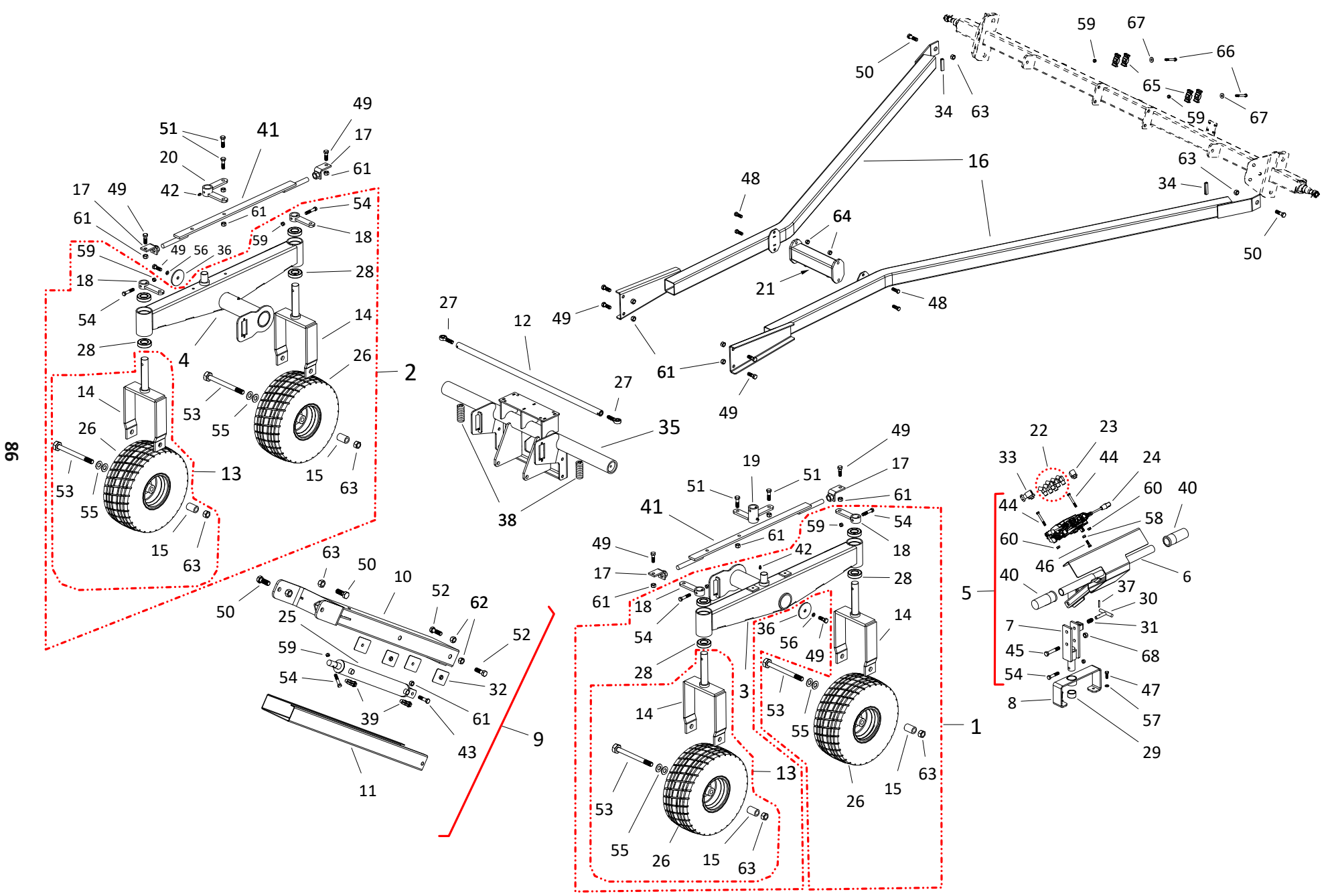
SP KIT FRAME COMPONENTS (41, 46 & 51 ft)



**SP KIT FRAME COMPONENTS (41, 46 & 51 ft)**

ITEM	PART NO.	DESCRIPTION
44	10-28732	LINE BLOCK
45	10-28450	3/8" X 1-3/4" NC BOLT GRADE 5 PLTD

HD SP KIT FRAME COMPONENTS

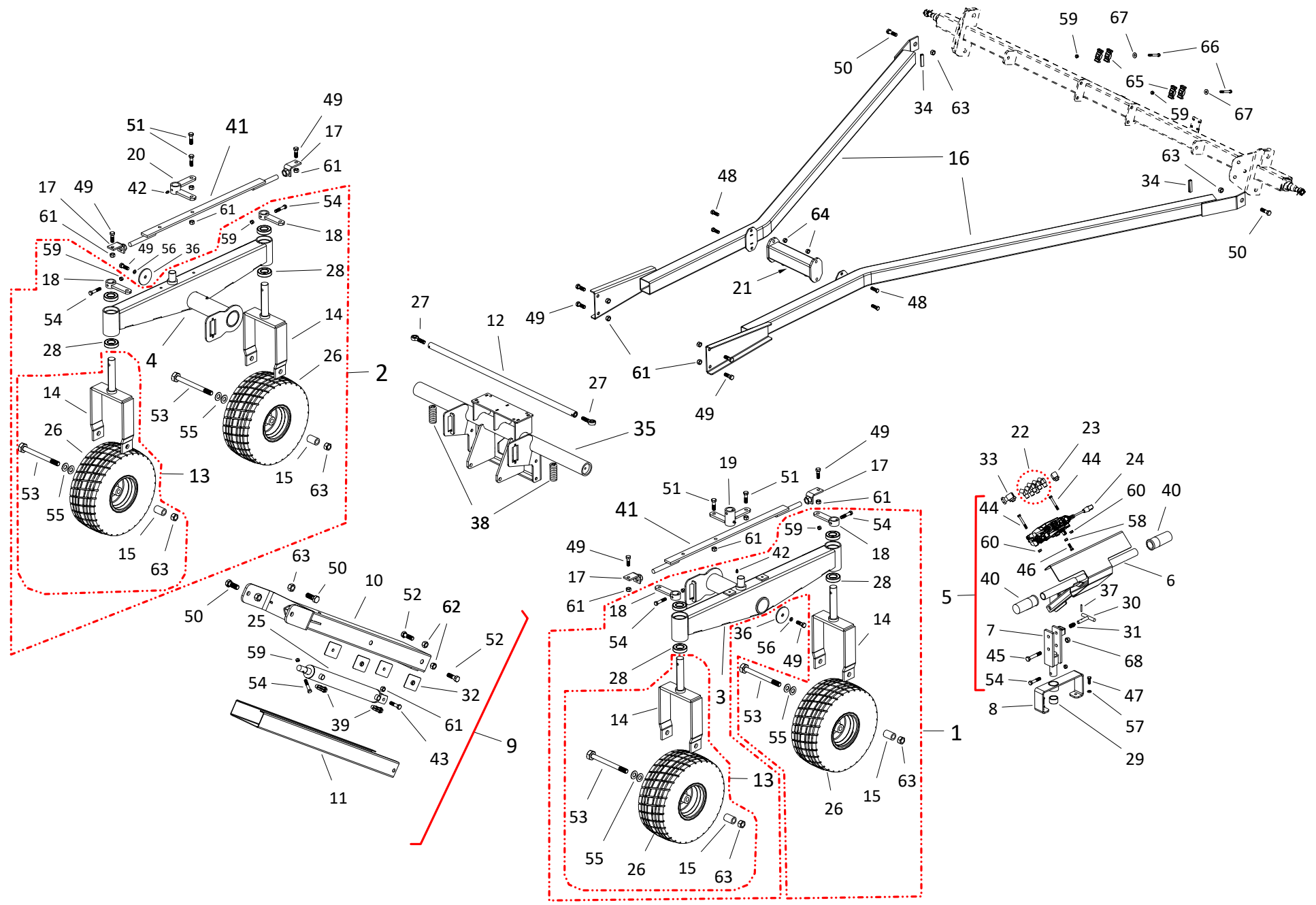


## HD SP KIT FRAME COMPONENTS

ITEM	PART NO.	DESCRIPTION
1	10-23561	WALKING BEAM RH W/WHEEL CASTER
2	10-23562	WALKING BEAM LH W/WHEEL CASTER
3	10-22312	WALKING BEAM, RH, W/BEARINGS, RED
4	10-22313	WALKING BEAM, LH, W/BEARINGS, RED
5	10-22318	HD STEERING HANDLE ASSEMBLY, RED (MANUAL STEERING ONLY)
6	10-22319	HD STEERING HANDLE TOP ONLY, RED (MANUAL STEERING ONLY)
7	10-22320	HD SP KIT HANDLE PIVOT, RED (MANUAL STEERING ONLY)
8	10-22322	MANUAL STEERING BUSHING BRACKET, RED (MANUAL STEERING ONLY)
9	10-22324	SLIDER ASSEMBLY, RED (36'/41' ONLY)
9	10-22327	SLIDER ASSEMBLY, RED (46' ONLY)
9	10-23705	SLIDER ASSEMBLY, RED (51' ONLY)
10	10-22325	UPPER SLIDER, RED (36'/41' ONLY)
10	10-22328	UPPER SLIDER, RED (46' ONLY)
10	10-23709	UPPER SLIDER, RED (51' ONLY)
11	10-22326	INNER SLIDER, RED (36'/41' ONLY)
11	10-22329	LOWER SLIDER, RED (46'/51' ONLY)
12	10-22360	MANUAL STEERING SHAFT ASSY, RED (MANUAL STEERING ONLY)
13	10-22366	HD WHEEL CASTER ASSEMBLY, RED
14	10-22347	HD WHEEL YOKE, RED
15	10-22365RD	WHEEL CASTER SPACER, RED
16	10-23251	HD SP REACH ARM (36' ONLY)
16	10-23253	HD SP REACH ARM (41' ONLY)
16	10-23255	HD SP REACH ARM (46' ONLY)
16	10-23254	HD SP REACH ARM (51' ONLY)
17	10-22309	HD STEERING LINK END, PLATED
18	10-22314	HD CASTER STEERING LINK, RED
19	10-22358	MANUAL STEERING PIVOT RH, RED (MANUAL STEERING ONLY)
20	10-22359	MANUAL STEERING PIVOT LH, RED
21	10-23213	FRAME CROSSMEMBER
22	10-28504	STEEL ELBOW, 45, 6 MORB X 6 MJIC (MANUAL STEERING ONLY)
23	10-28654	STEEL ELBOW, 90, 8 MORB X 8 FNPTX (MANUAL STEERING ONLY)
24	10-20773	3 SPOOL VALVE (MANUAL STEERING ONLY)
25	10-28179	HYD CYLINDER (SP KIT)
26	10-22332	TIRE ASSY,16X7.5X8 TURFMASTER
27	10-22323	BALL JOINT ROD END
28	10-22344	1654-2RS 1-1/4" BEARING
29	10-17687	BUSHING-OILITE
30	10-28856	LOCK PIN
31	10-28645	COMPRESSION SPRING (SINGLE)
32	10-22345	SLIDER WEAR PLATE
33	10-20104	STEEL ELBOW, 90, 10 MORB X 1/2 NSPM (MANUAL STEERING ONLY)
34	10-23616	EDGE TRIM, 2-1/4"
35	10-22311	AXLE, HD MOVER, RED
36	0202005	END CAP,AXLE,2-7/8X9/16X3/16
37	10-28726	SLOTTED SPRING PIN 3/16 X 1-1/2 PLN
38	10-21092	SUPPORT SPRING
39	10-28757	STEEL ELBOW 90, 6MNPT X 6FNPSM
40	10-28722	5" BLACK HANDLE GRIP
41	10-22310	HD STEERING LINK, RED
42	10-19222	1/4" FINE THREAD ZIRK

HD SP KIT FRAME COMPONENTS

88

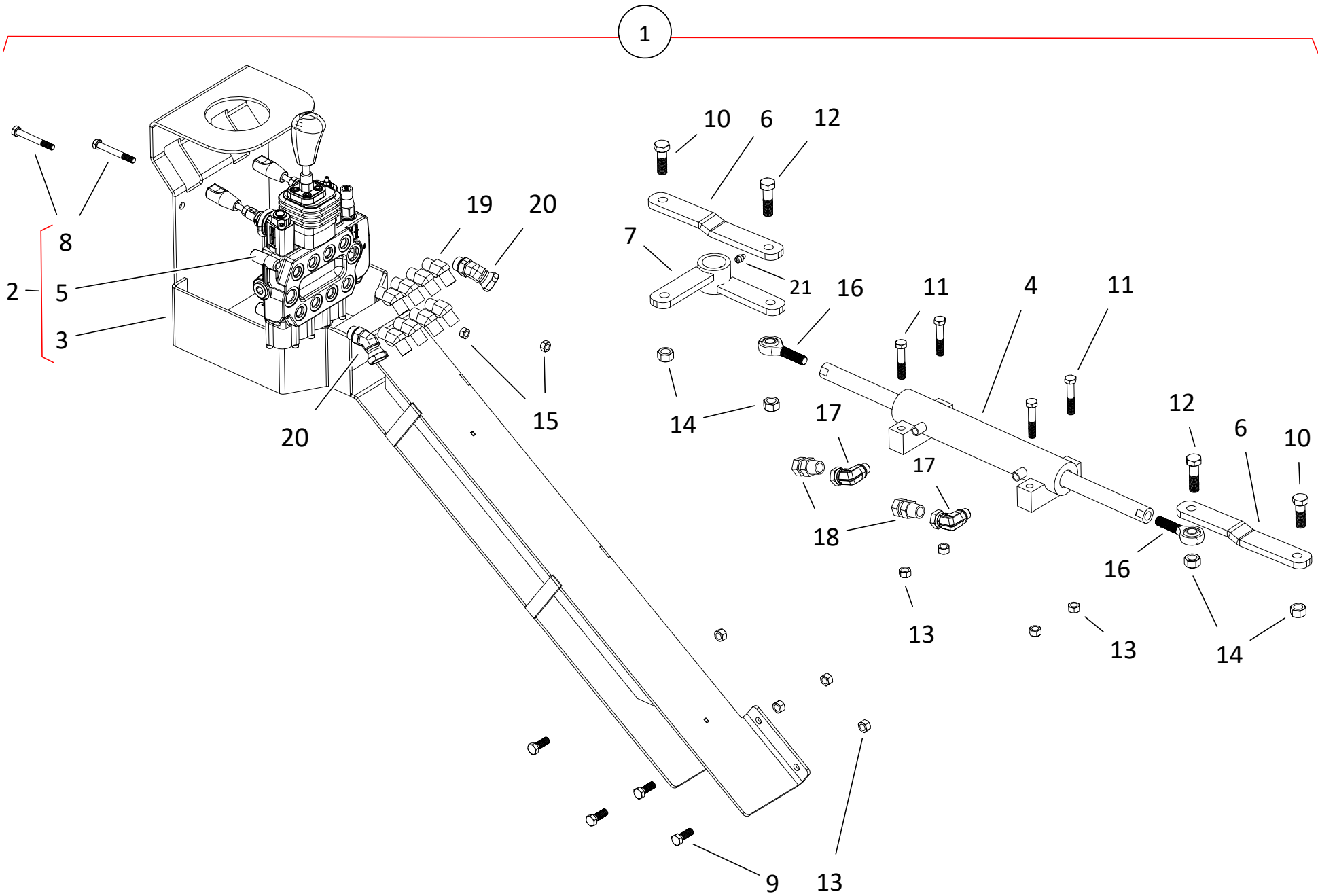




## HD SP KIT FRAME COMPONENTS

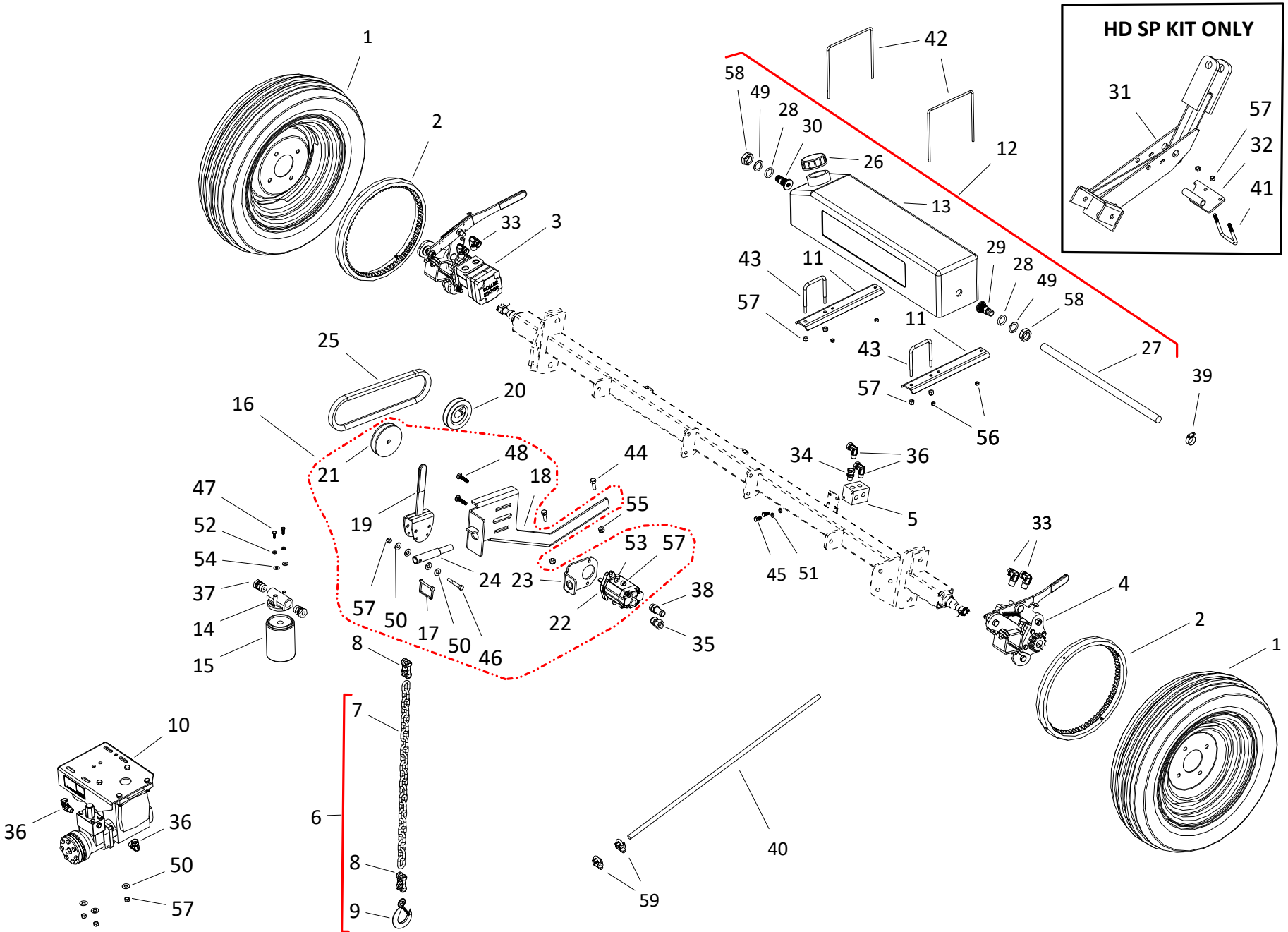
ITEM	PART NO.	DESCRIPTION
43	9900560	1/2" X 2-1/4" NC BOLT GR 5 PLTD
44	10-17631	5/16" X 2-1/2" NC BOLT GR 2 PLTD.
45	10-17762	1/2" X 3" NC BOLT GR 5 PLTD
46	10-18091	5/16" X 1" NC BOLT GR 2 PLTD
47	10-18955	3/8" X 1" NC BOLT GR 5 PLTD
48	10-18698	7/16" X 1-1/4" NC BOLT GR 8 PLTD
49	10-19589	1/2" X 1-1/2" NC BOLT GR 8 PLTD
50	10-19592	3/4" X 2" NC BOLT GR 8 PLTD
51	10-19974	1/2" X 1-3/4" NC BOLT GR 8 PLTD
52	10-19991	5/8" X 2" NC BOLT GR 8 PLTD
53	10-27482	3/4" X 8-1/2" NC BOLT GR 8 PLTD
54	10-28745	3/8" X 2-1/4" NC BOLT GR 5 PLTD
55	10-19979	3/4" FLAT WASHER PLTD
56	10-19605	1/2" LOCK WASHER PLTD
57	10-19604	3/8" LOCK WASHER PLTD
58	10-19980	5/16" NC NYLON LOCKNUT PLTD
59	10-17402	3/8" NC NYLON LOCKNUT PLTD
60	10-19595	5/16" NC SERRATED FLANGE NUT PLTD
61	10-19599	1/2" NC NYLON LOCKNUT GR 2 PLTD
62	10-19600	5/8" NC NYLON LOCKNUT PLTD
63	10-19601	3/4" NC NYLON LOCKNUT PLTD
64	10-19598	7/16" NC NYLON LOCKNUT GR 2 PLTD
65	10-28732	LINE BLOCK
66	10-18699	3/8" X 2-1/2" NC BOLT GR 5 PLTD
67	10-17392	3/8" FLAT WASHER PLTD
68	10-22267	1/2" 2-WAY LOCK NUT PLTD

# HD HYDRAULIC STEERING OPTION KIT (A332)



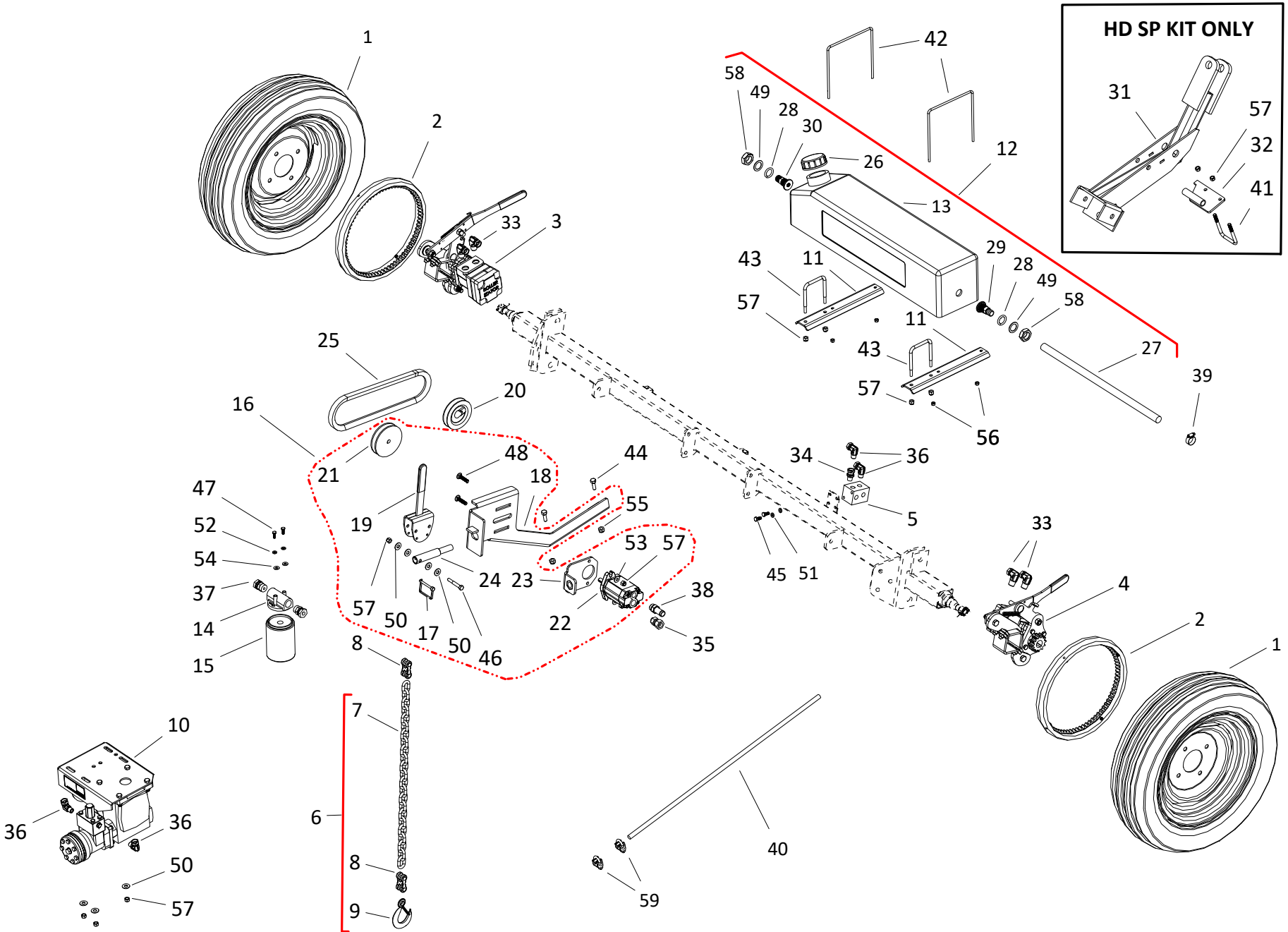
## HD HYDRAULIC STEERING OPTION KIT (A332)

ITEM	PART NO.	DESCRIPTION
1	05-A332	HD HYD STEERING OPTION
2	10-23080	HYD STEERING CONTROL ARM ASSEMBLY
3	10-22438	HYD STEERING CONTROL ARM, RED
4	10-22440	HYD CYLINDER DOUBLE, 1-1/2 X 5-5/8
5	10-22441	VALVE-4SPL W/ JOYSTICK W/ 4 HANDLES
6	10-22439	HYD CYLINDER LINK, RED
7	10-22445	HYD STEERING PIVOT ASSY, RH RED
8	10-17631	5/16" X 2-1/2" NC BOLT GR 2 PLTD
9	10-18955	3/8" X 1" NC BOLT GR 5 PLTD
10	10-19589	1/2" X 1-1/2" NC BOLT GR 8 PLTD
11	10-27979	3/8" X 2" NC BOLT GR 5 PLTD
12	10-19974	1/2" X 1-3/4" NC BOLT GR 8 PLTD
13	10-17402	3/8" NC NYLON LOCKNUT PLTD
14	10-19599	1/2" NC NYLON LOCKNUT GR 2 PLTD
15	10-19980	5/16" NC NYLON LOCKNUT PLTD
16	10-22323	BALL JOINT ROD END
17	10-22191	ELBOW, 90, 6 MORB X 3/8 NSPM
18	10-21878	ADAPTER, ORIFICE #6 MNPT X #6 FPTS
19	10-28504	ELBOW, 45, 6 MORB X 6 MJIC
20	10-23201	ELBOW, 45, 8 MORB X 1/2" FNPSM
21	10-19222	1/4" FINE THREAD ZIRK



## SP KIT PARTS

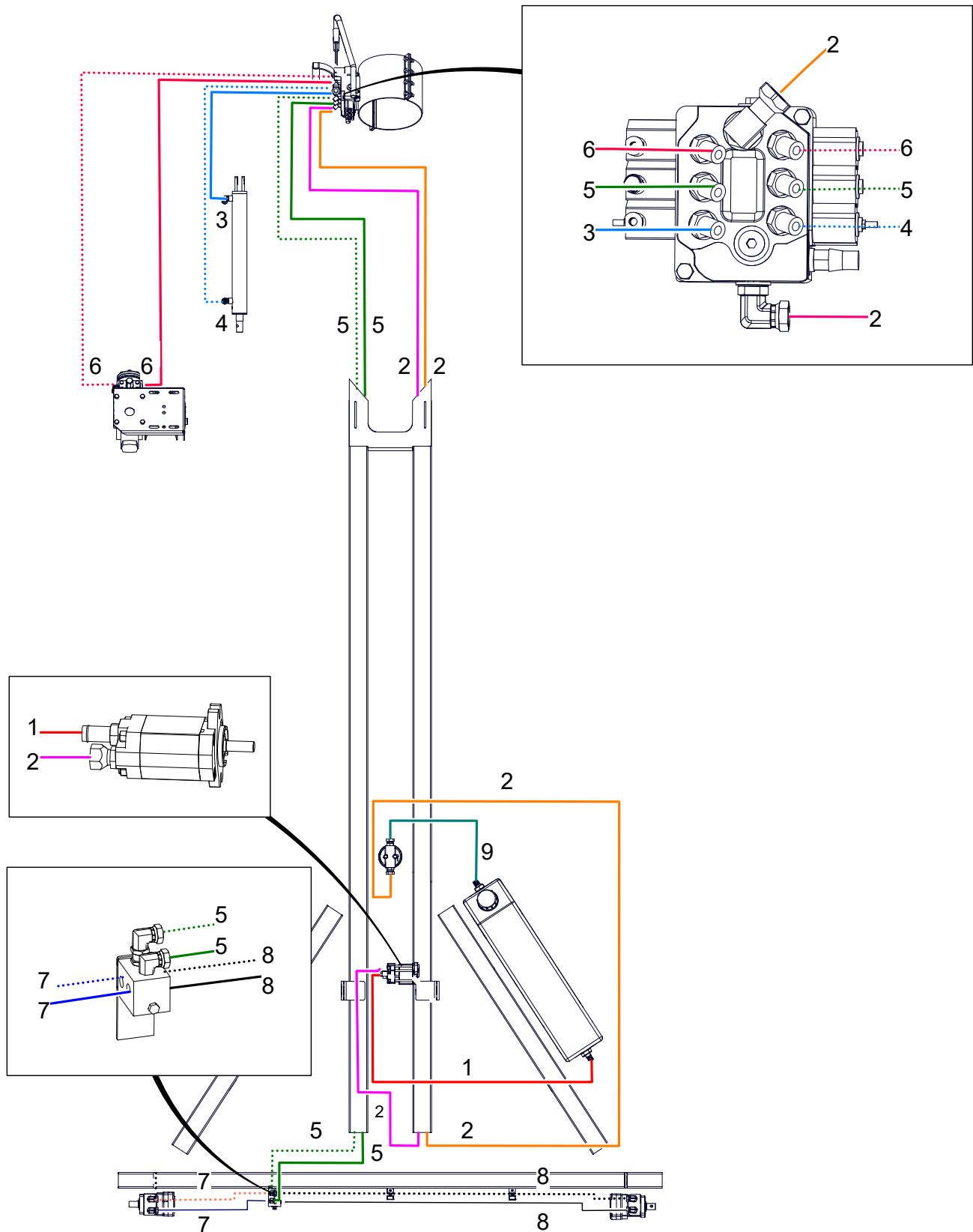
ITEM	PART NO.	DESCRIPTION
1	10-22289	15 X 4.5 X 4 BOLT WHEEL W/ RING GEAR
2	10-28175	RING GEAR WITH 4 SET SCREWS
3	0200015EL	OC ASSY COMPLETE W/MTR/PIN LH
4	0200015ER	OC ASSY COMPLETE W/MTR/PIN RH
5	10-28180	CUSHION BLOCK
6	10-24214	ASSY, SAFETY CHAIN W/ HOOK, 23 LINK
7	10-24215	5/16 GRADE 30 CHAIN X 23 LINK, PLTD
8	10-20083	5/16" MID LINK
9	10-28997	1/2T EYE HOIST HOOK W/ LATCH
10	10-23515	HYD WINCH ASSY, RED
11	10-24019	MNT, HYD TANK
12	10-23226	HYD TANK ASSY, 22L BLACK
13	9900052B-1	22L TANK (BLACK)
14	9900993	FILTER HEAD, INLINE, 3/4" FNPT
15	9900994	FILTER HYD, 10 MICRON, 3/4"
16	10-24056	ASSY, HYD PUMP
17	10-24057	QUICK PIN 1/4 X 2-1/4
18	10-24008	MNT, PUMP BRKT
19	10-24009	HANDLE, PUMP
20	10-28061	PULLEY, 4-1/2 X 1-1/8, SINGLE
21	10-28200	PULLEY, 4.5 X 0.5, SINGLE
22	10-28205	HYDRAULIC PUMP
23	10-24010	BRKT, PUMP ADJUST
24	10-24011	PUMP PUSH BAR
25	10-24061	BX35 BELT (NOTCHED BELT)
26	1200011	CAP, 22/35L GAS TANK
27	10-29389	HYDRAULIC HOSE, 3/8" X 18"
28	9900240	O-RING, #318
29	9900021	ALUM FITTING FOR OIL RESERVOIR
30	9900232A	FITTING, 1" BLKHD X 1/2 MNPT X 3/8 FNPT
31	10-23376	OFFSET HITCH (8" HD SP KIT ONLY)
31	10-22750	OFFSET HITCH (10" HD SP KIT ONLY)
32	10-22833	HITCH MOUNT (HD SP KIT ONLY)
33	10-22557	STEEL ELBOW, 8 MNPT X 6 FNPSM
34	10-23249	STEEL FITTING, 3/8" MNPT X 3/8" FNPSM
35	10-28477	STEEL FITTING, 8 MORB X 1/2 FNPSM
36	10-28757	STEEL ELBOW, 90, 6 MNPT X 6 FNPSM
37	2300053	STEEL FITTING, 3/4 MNPT X 1/2 FNPSM
38	9900203	STEEL FITTING, 3/4 HB X 10 MORB
39	9900215	#012 (3/4"HOSE) HOSE CLAMP
40	10-19248	WINCH CABLE (31' ONLY)
40	10-18823	WINCH CABLE (36' ONLY)
40	10-19249	WINCH CABLE (41' ONLY)
40	10-19250	WINCH CABLE (46' ONLY)
40	10-27963	WINCH CABLE (51' ONLY)
41	10-28445	UBOLTSQ3/8NCX2-5/8X3-3/4X1-1/4THD
42	10-22390	UBOLTSQ1/4NCX7-1/4X7-5/8GR5PLT
43	10-28833	UBOLTSQ3/8NCX3-1/16X4X1THD PLTD
44	10-18698	7/16" X 1-1/4" NC BOLT GR 8 PLTD
45	10-19538	CAP SCREW, 5/16" - 18 x 3/4"



## SP KIT PARTS

ITEM	PART NO.	DESCRIPTION
46	10-18699	3/8" X 2-1/2" NC BOLT GR 5 PLTD
47	9900800	1/4" X 3/4" NC BOLT GR 5 PLTD
48	10-22937	3/8X1-3/4 CARRIAGE BOLT UNC GR5 PL
49	10-18097	1" RIM WASHER PLTD
50	10-17392	3/8" FLAT WASHER PLTD
51	10-19603	LOCKWASHER, 5/16"
52	9900783	1/4" LOCKWASHER PLTD
53	10-27336	5/16" FLAT WASHER PLTD
54	9900683	1/4" FLAT WASHER PLTD
55	10-19598	7/16" NC NYLON LOCKNUT GR 2 PLTD
56	10-28449	1/4" NC NYLON LOCKNUT PLTD
57	10-17402	3/8" NC NYLON LOCKNUT PLTD
58	9900760	NUT JAM 1 UNF PLT
59	10-19147	1/4" CABLE CLAMP

# HYDRAULIC HOSES, 31 ft (SP KIT)



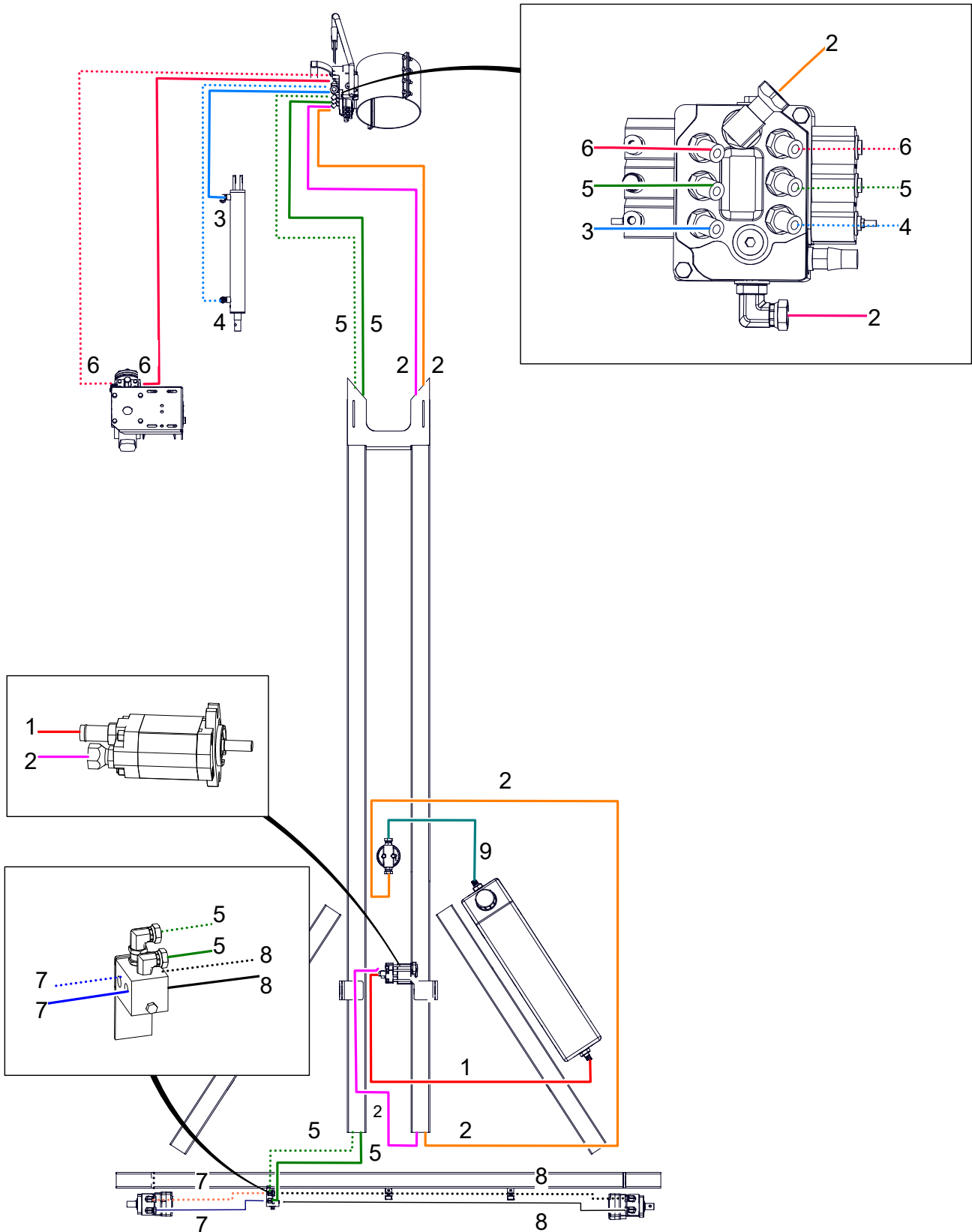
Hose identification is defined by a single band of colour on the valve end of the hose: Blue - 3 & 4, Green - 5, White - 6



## HYDRAULIC HOSES, 31 ft (SP KIT)

ITEM	PART NO.	DESCRIPTION
1	10-24094	3/4" X 78" HYDRAULIC HOSE
2	10-29364	1/2" X 173" HYDRAULIC HOSE
3	10-29381	3/8" X 33" HYDRAULIC HOSE
4	10-28227	3/8" X 46" HYDRAULIC HOSE
5	10-29688	3/8" X 152" HYDRAULIC HOSE
6	10-29907	3/8" X 34" HYDRAULIC HOSE
7	10-23371	3/8" X 18" HYDRAULIC HOSE
8	10-29443	3/8" X 56" HYDRAULIC HOSE
9	10-24091	1/2" X 22" HYDRAULIC HOSE

# HYDRAULIC HOSES, 36 ft (SP KIT)

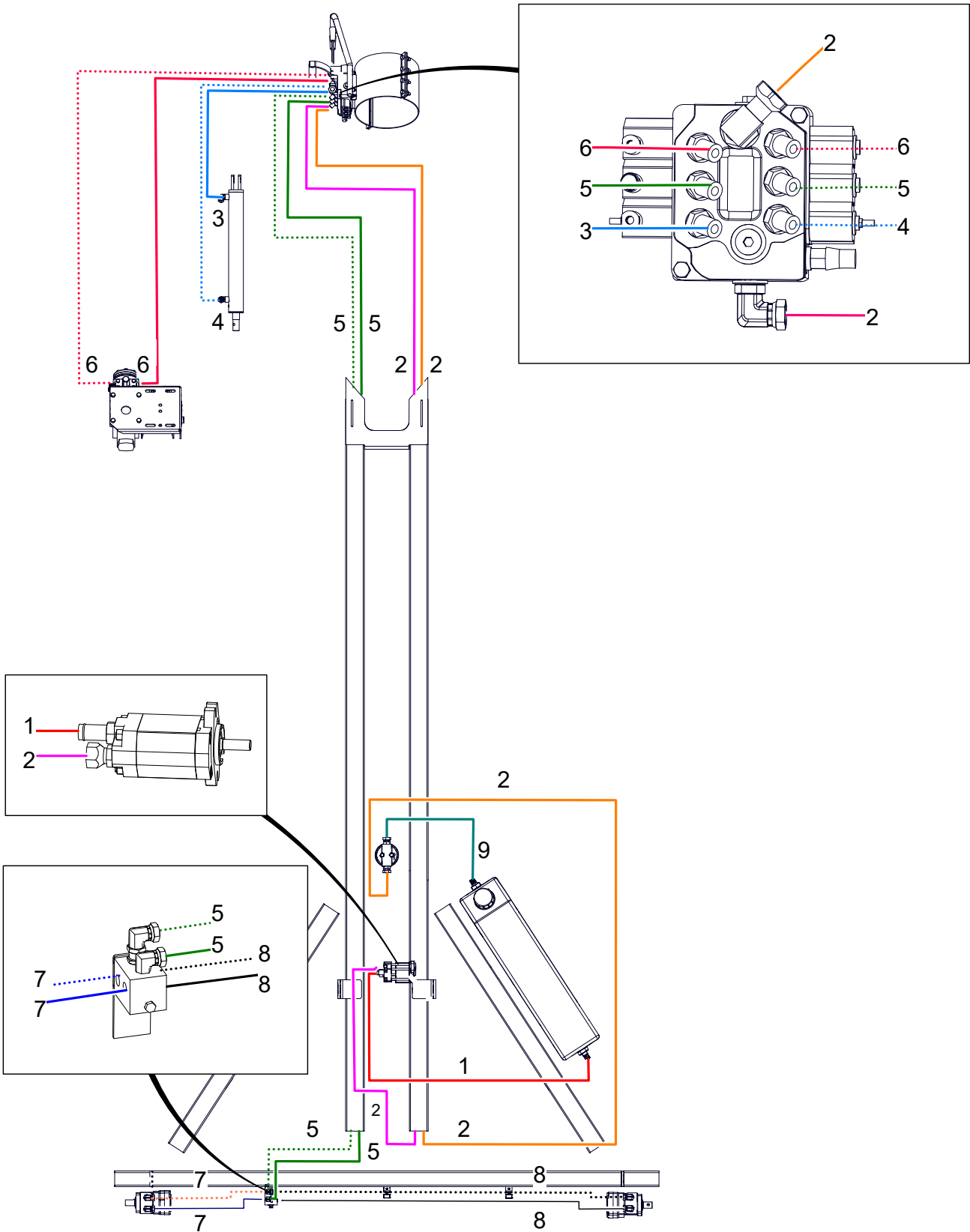


Hose identification is defined by a single band of colour on the valve end of the hose: Blue - 3 & 4, Green - 5, White - 6

## HYDRAULIC HOSES, 36 ft (SP KIT)

ITEM	PART NO.	DESCRIPTION
1	10-24094	3/4" X 78" HYDRAULIC HOSE
2	10-29403	1/2" X 192" HYDRAULIC HOSE
3	10-29378	3/8" X 23" HYDRAULIC HOSE
4	10-29381	3/8" X 33" HYDRAULIC HOSE
5	10-29518	3/8" X 168" HYDRAULIC HOSE
6	10-29907	3/8" X 34" HYDRAULIC HOSE
7	10-23371	3/8" X 18" HYDRAULIC HOSE
8	10-29443	3/8" X 56" HYDRAULIC HOSE
9	10-24091	1/2" X 22" HYDRAULIC HOSE

# HYDRAULIC HOSES, 41 ft (SP KIT)

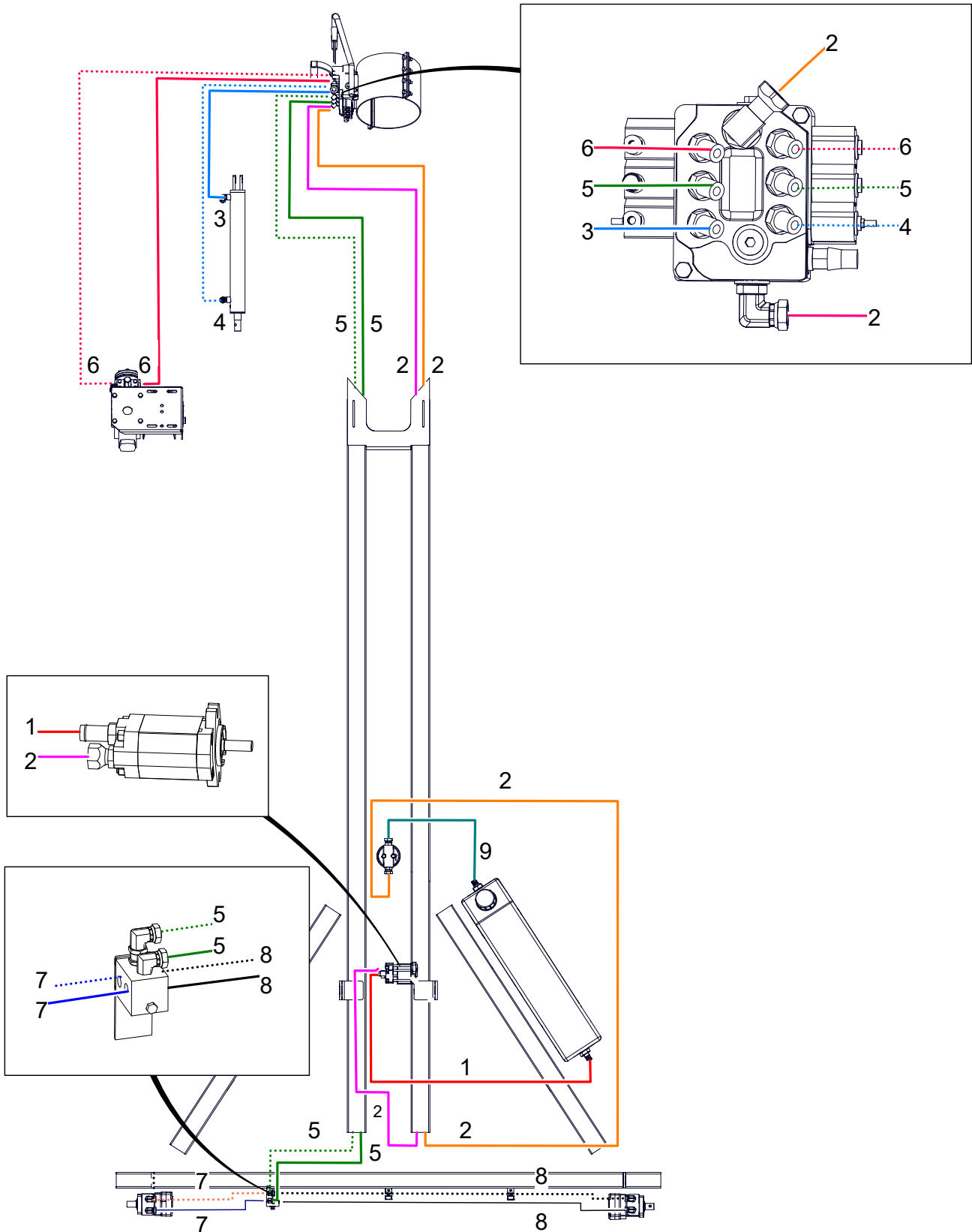


Hose identification is defined by a single band of colour on the valve end of the hose: Blue - 3 & 4, Green - 5, White - 6

## HYDRAULIC HOSES, 41 ft (SP KIT)

ITEM	PART NO.	DESCRIPTION
1	10-24094	3/4" X 78" HYDRAULIC HOSE
2	10-20458	1/2" X 220" HYDRAULIC HOSE
3	10-29378	3/8" X 23" HYDRAULIC HOSE
4	10-29381	3/8" X 33" HYDRAULIC HOSE
5	10-29771	3/8" X 206" HYDRAULIC HOSE
6	10-29907	3/8" X 34" HYDRAULIC HOSE
7	10-23371	3/8" X 18" HYDRAULIC HOSE
8	10-29443	3/8" X 56" HYDRAULIC HOSE
9	10-24091	1/2" X 22" HYDRAULIC HOSE

# HYDRAULIC HOSES, 46 ft (SP KIT)

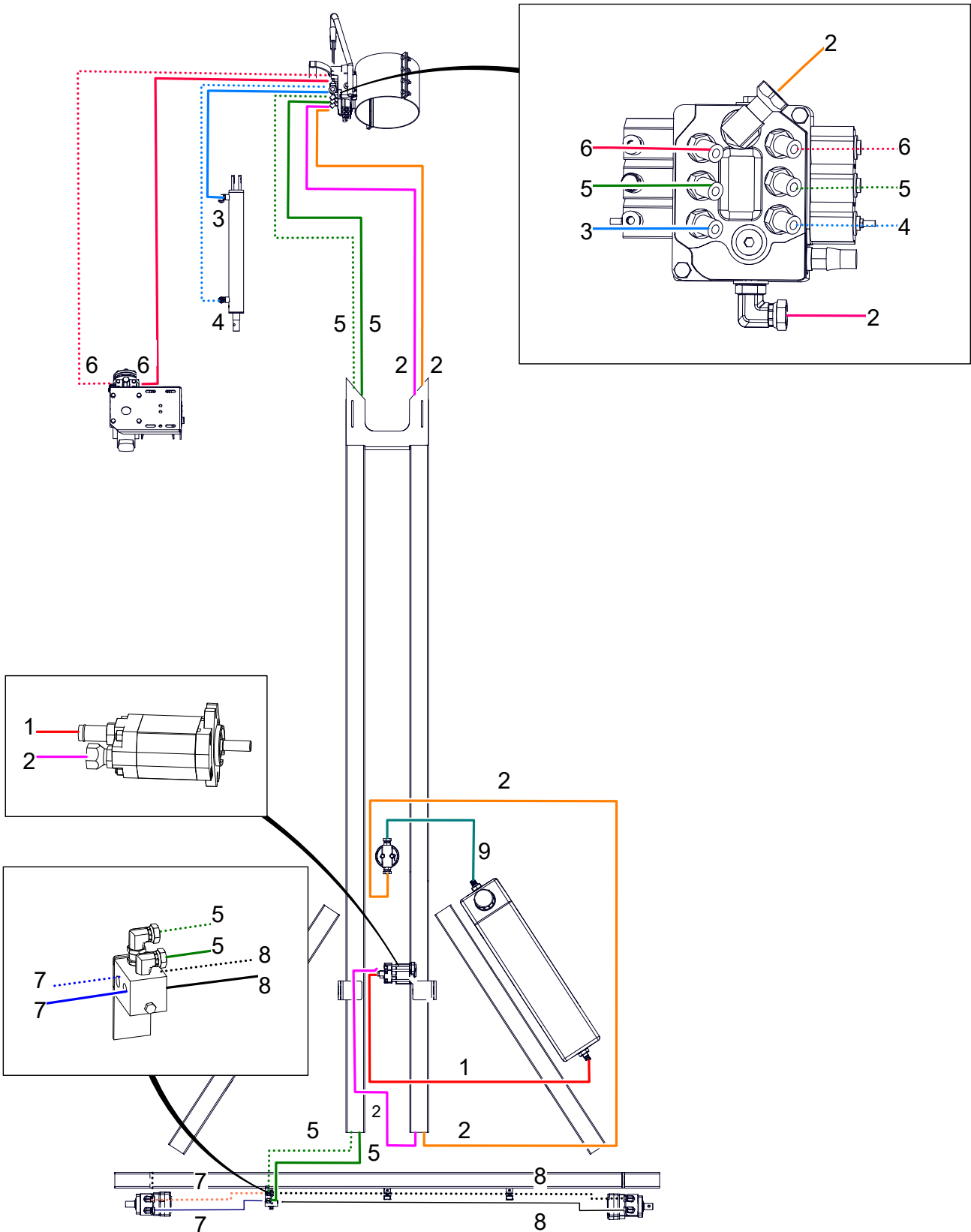


Hose identification is defined by a single band of colour on the valve end of the hose: Blue - 3 & 4, Green - 5, White - 6

## HYDRAULIC HOSES, 46 ft (SP KIT)

ITEM	PART NO.	DESCRIPTION
1	10-24094	3/4" X 78" HYDRAULIC HOSE
2	10-23400	1/2" X 252" HYDRAULIC HOSE
3	10-29381	3/8" X 33" HYDRAULIC HOSE
4	10-28227	3/8" X 46" HYDRAULIC HOSE
5	10-28240	3/8" X 235" HYDRAULIC HOSE
6	10-23411	3/8" X 54" HYDRAULIC HOSE
7	10-23371	3/8" X 18" HYDRAULIC HOSE
8	10-29443	3/8" X 56" HYDRAULIC HOSE
9	10-24091	1/2" X 22" HYDRAULIC HOSE

# HYDRAULIC HOSES, 51 ft (SP KIT)



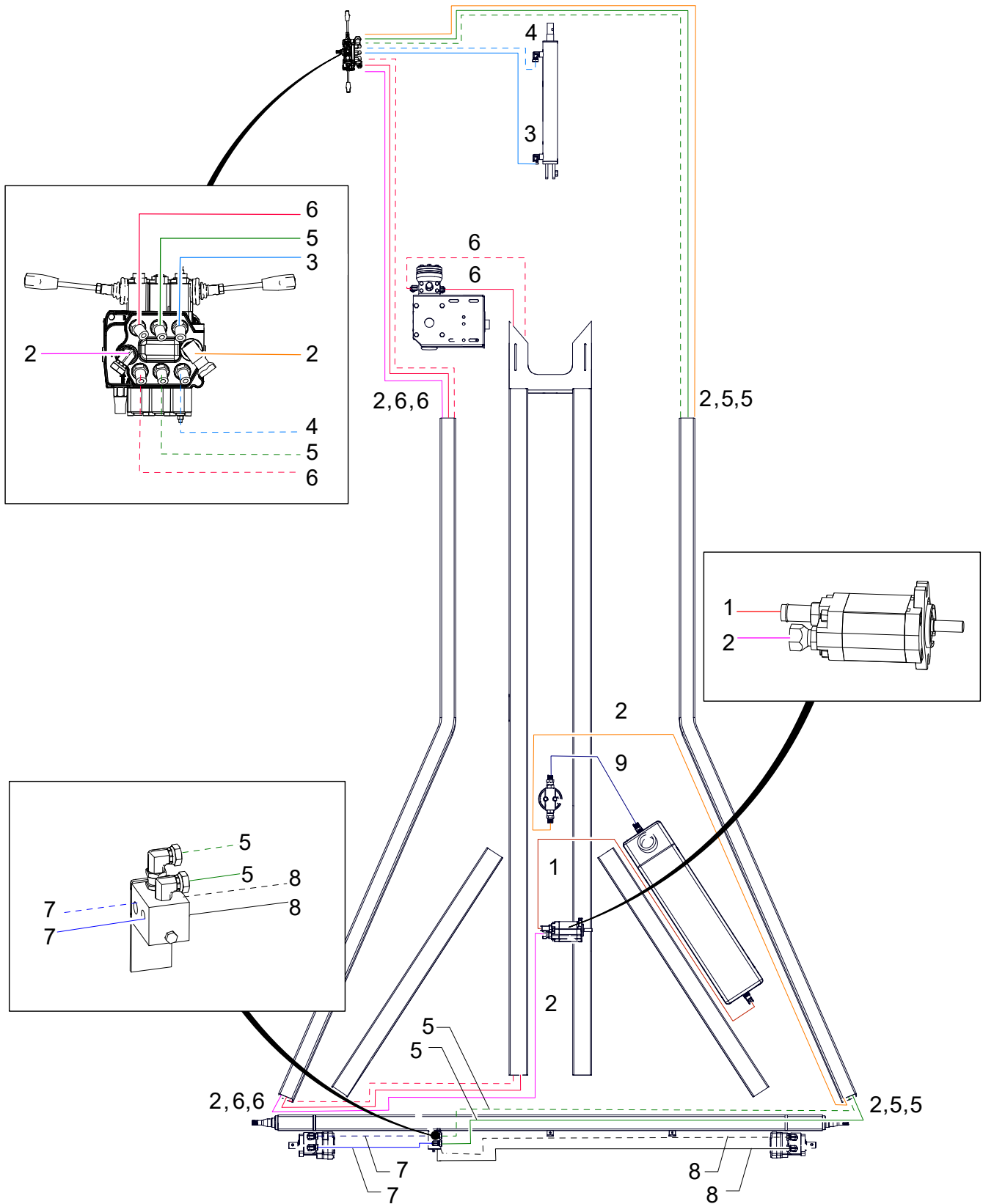
Hose identification is defined by a single band of colour on the valve end of the hose: Blue - 3 & 4, Green - 5, White - 6



## HYDRAULIC HOSES, 51 ft (SP KIT)

ITEM	PART NO.	DESCRIPTION
1	10-24094	3/4" X 78" HYDRAULIC HOSE
2	10-23394	1/2" X 300" HYDRAULIC HOSE
3	10-28227	3/8" X 46" HYDRAULIC HOSE
4	10-29361	3/8" X 60" HYDRAULIC HOSE
5	10-23392	3/8" X 264" HYDRAULIC HOSE
6	10-29419	3/8" X 80" HYDRAULIC HOSE
7	10-23371	3/8" X 18" HYDRAULIC HOSE
8	10-29443	3/8" X 56" HYDRAULIC HOSE
9	10-24091	1/2" X 22" HYDRAULIC HOSE

# HYDRAULIC HOSES, 36 ft (HD SP KIT - MANUAL)

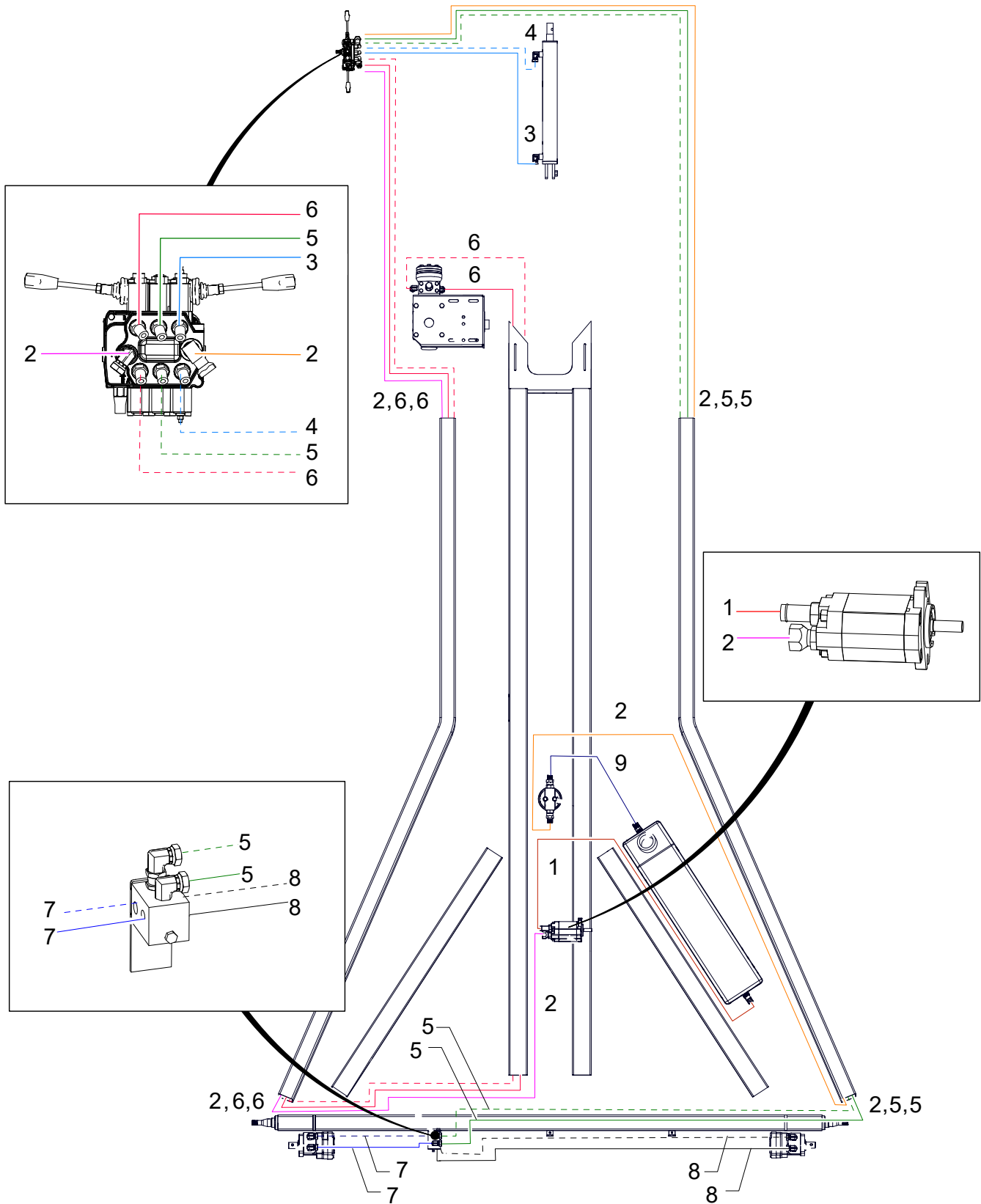


Hose identification is defined by a single band of colour on the valve end of the hose: Blue - 3 & 4, Green - 5, White - 6

## HYDRAULIC HOSES, 36 ft (HD SP KIT - MANUAL)

ITEM	PART NO.	DESCRIPTION
1	10-24094	3/4" X 78" HYDRAULIC HOSE
2	10-20458	1/2" X 220" HYDRAULIC HOSE
3	10-29361	3/8" X 60" HYDRAULIC HOSE
4	10-29448	3/8" X 74" HYDRAULIC HOSE
5	10-23382	3/8" X 156" HYDRAULIC HOSE
6	10-29429	3/8" X 278" HYDRAULIC HOSE
7	10-23371	3/8" X 18" HYDRAULIC HOSE
8	10-29443	3/8" X 56" HYDRAULIC HOSE
9	10-24091	1/2" X 22" HYDRAULIC HOSE

# HYDRAULIC HOSES, 41 ft (HD SP KIT - MANUAL)

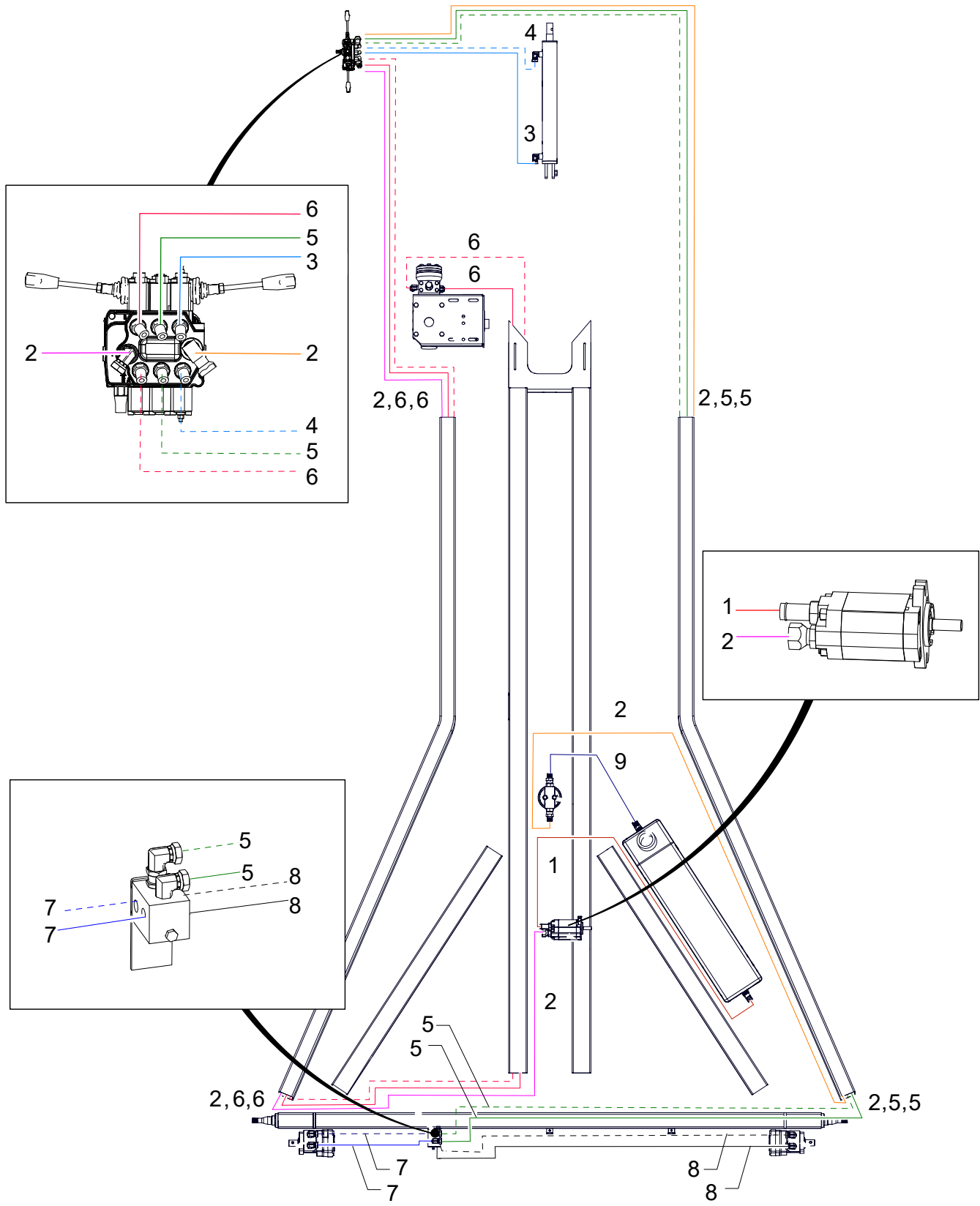


Hose identification is defined by a single band of colour on the valve end of the hose: Blue - 3 & 4, Green - 5, White - 6

## HYDRAULIC HOSES, 41 ft (HD SP KIT - MANUAL)

ITEM	PART NO.	DESCRIPTION
1	10-24094	3/4" X 78" HYDRAULIC HOSE
2	10-23380	1/2" X 231" HYDRAULIC HOSE
3	10-29361	3/8" X 60" HYDRAULIC HOSE
4	10-29448	3/8" X 74" HYDRAULIC HOSE
5	10-29518	3/8" X 168" HYDRAULIC HOSE
6	10-24090	3/8" X 334" HYDRAULIC HOSE
7	10-23371	3/8" X 18" HYDRAULIC HOSE
8	10-29443	3/8" X 56" HYDRAULIC HOSE
9	10-24091	1/2" X 22" HYDRAULIC HOSE

# HYDRAULIC HOSES, 46 ft (HD SP KIT - MANUAL)

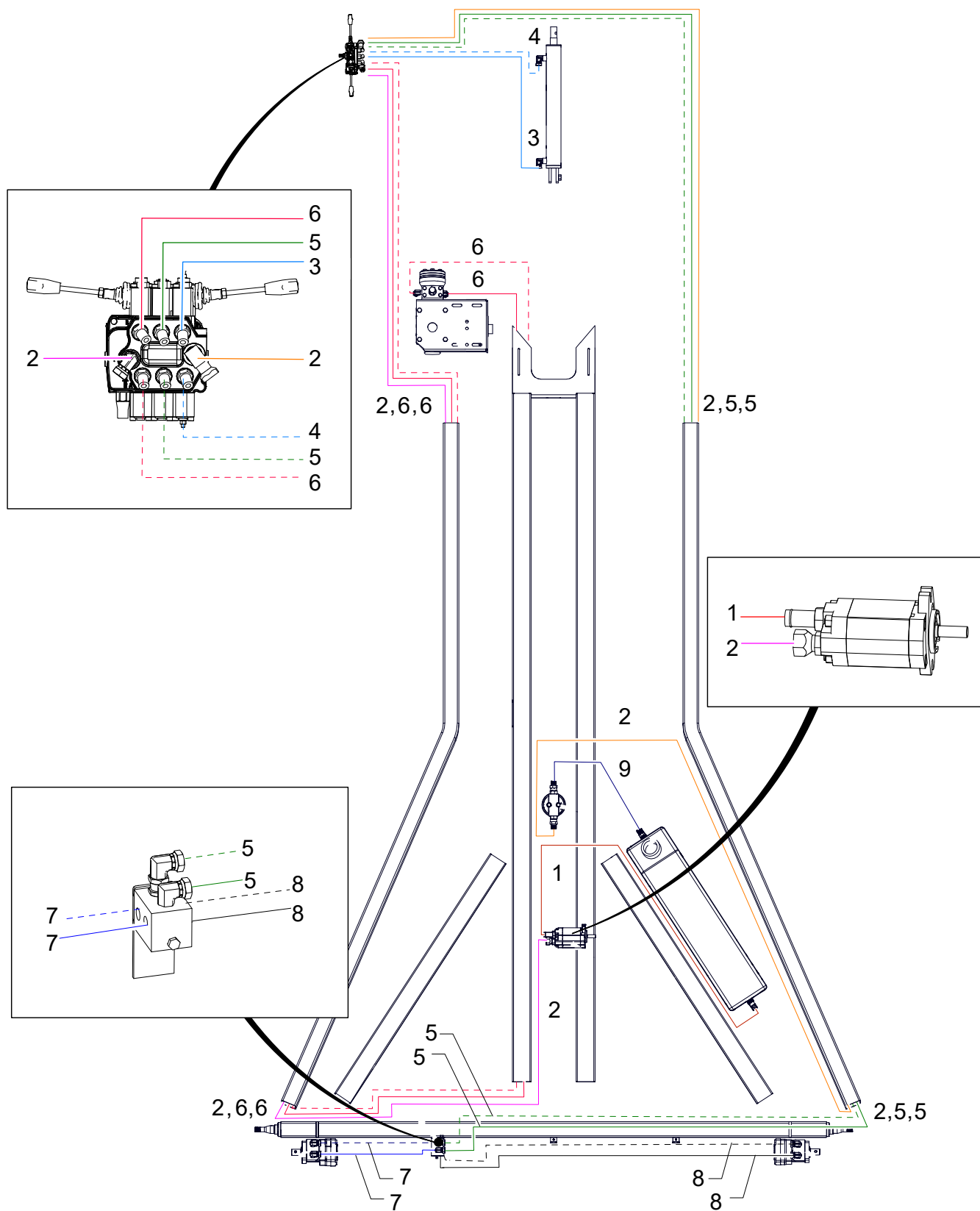


Hose identification is defined by a single band of colour on the valve end of the hose: Blue - 3 & 4, Green - 5, White - 6

## HYDRAULIC HOSES, 46 ft (HD SP KIT - MANUAL)

ITEM	PART NO.	DESCRIPTION
1	10-24094	3/4" X 78" HYDRAULIC HOSE
2	10-23375	1/2" X 240" HYDRAULIC HOSE
3	10-29361	3/8" X 60" HYDRAULIC HOSE
4	10-29448	3/8" X 74" HYDRAULIC HOSE
5	10-23378	3/8" X 180" HYDRAULIC HOSE
6	10-28747	3/8" X 358" HYDRAULIC HOSE
7	10-23371	3/8" X 18" HYDRAULIC HOSE
8	10-29443	3/8" X 56" HYDRAULIC HOSE
9	10-24091	1/2" X 22" HYDRAULIC HOSE

# HYDRAULIC HOSES, 51 ft (HD SP KIT - MANUAL)



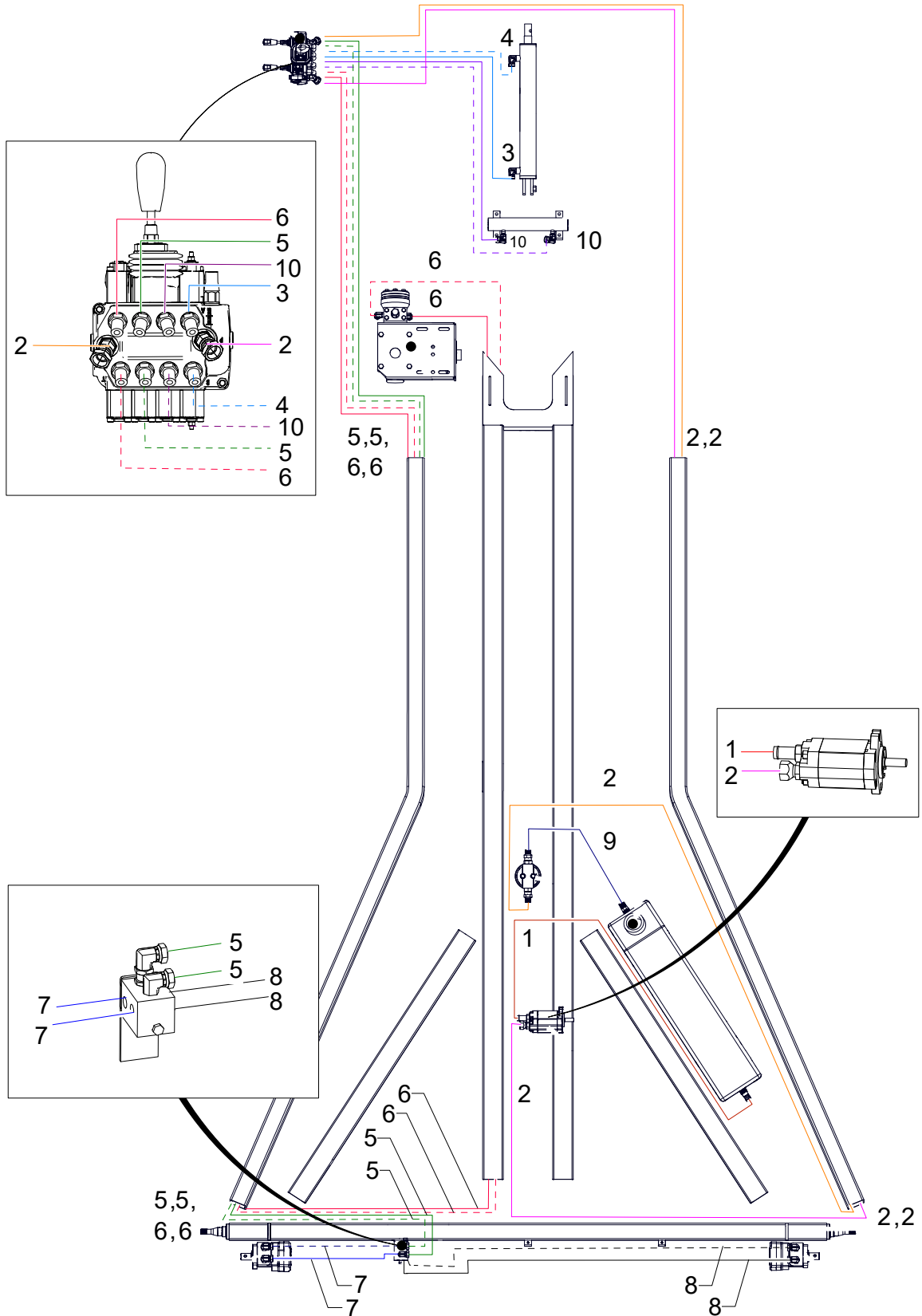
Hose identification is defined by a single band of colour on the valve end of the hose: Blue - 3 & 4, Green - 5, White - 6



## HYDRAULIC HOSES, 51 ft (HD SP KIT - MANUAL)

ITEM	PART NO.	DESCRIPTION
1	10-24094	3/4" X 78" HYDRAULIC HOSE
2	10-20237	1/2" X 256" HYDRAULIC HOSE
3	10-29361	3/8" X 60" HYDRAULIC HOSE
4	10-29448	3/8" X 74" HYDRAULIC HOSE
5	10-23373	3/8" X 192" HYDRAULIC HOSE
6	10-28748	3/8" X 376" HYDRAULIC HOSE
7	10-23371	3/8" X 18" HYDRAULIC HOSE
8	10-29443	3/8" X 56" HYDRAULIC HOSE
9	10-24091	1/2" X 22" HYDRAULIC HOSE

# HYDRAULIC HOSES, 36 ft (HD SP KIT - HYDRAULIC)

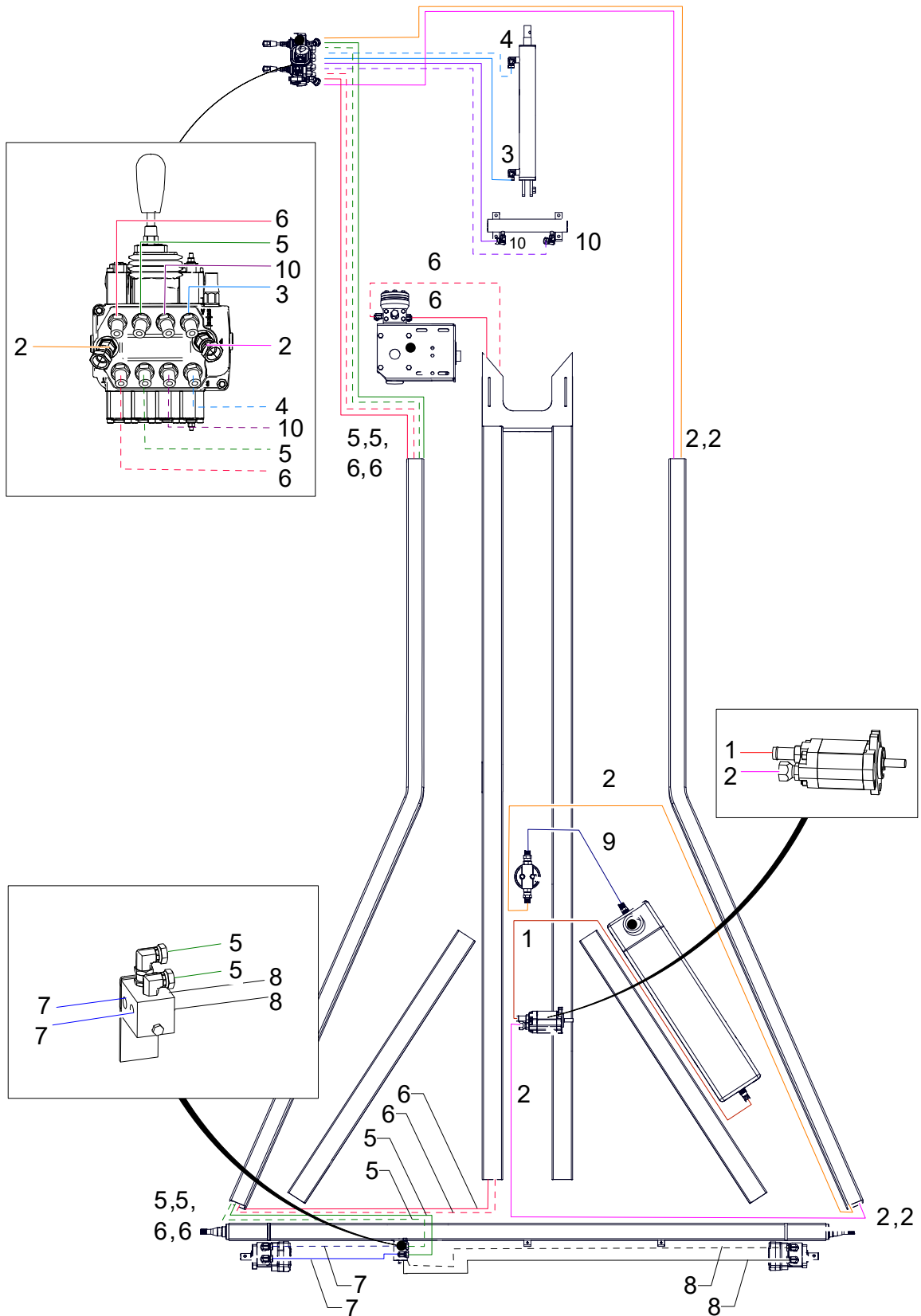


Hose identification is defined by a single band of colour on the valve end of the hose: Blue - 3 & 4, Green - 5, White - 6, Red - 10

## HYDRAULIC HOSES, 36 ft (HD SP KIT - HYDRAULIC)

ITEM	PART NO.	DESCRIPTION
1	10-24094	3/4" X 78" HYDRAULIC HOSE
2	10-20458	1/2" X 220" HYDRAULIC HOSE
3	10-29361	3/8" X 60" HYDRAULIC HOSE
4	10-29448	3/8" X 74" HYDRAULIC HOSE
5	10-23382	3/8" X 156" HYDRAULIC HOSE
6	10-29429	3/8" X 278" HYDRAULIC HOSE
7	10-23371	3/8" X 18" HYDRAULIC HOSE
8	10-29443	3/8" X 56" HYDRAULIC HOSE
9	10-24091	1/2" X 22" HYDRAULIC HOSE
10	10-28232	3/8" X 62" HYDRAULIC HOSE

# HYDRAULIC HOSES, 41 ft (HD SP KIT - HYDRAULIC)

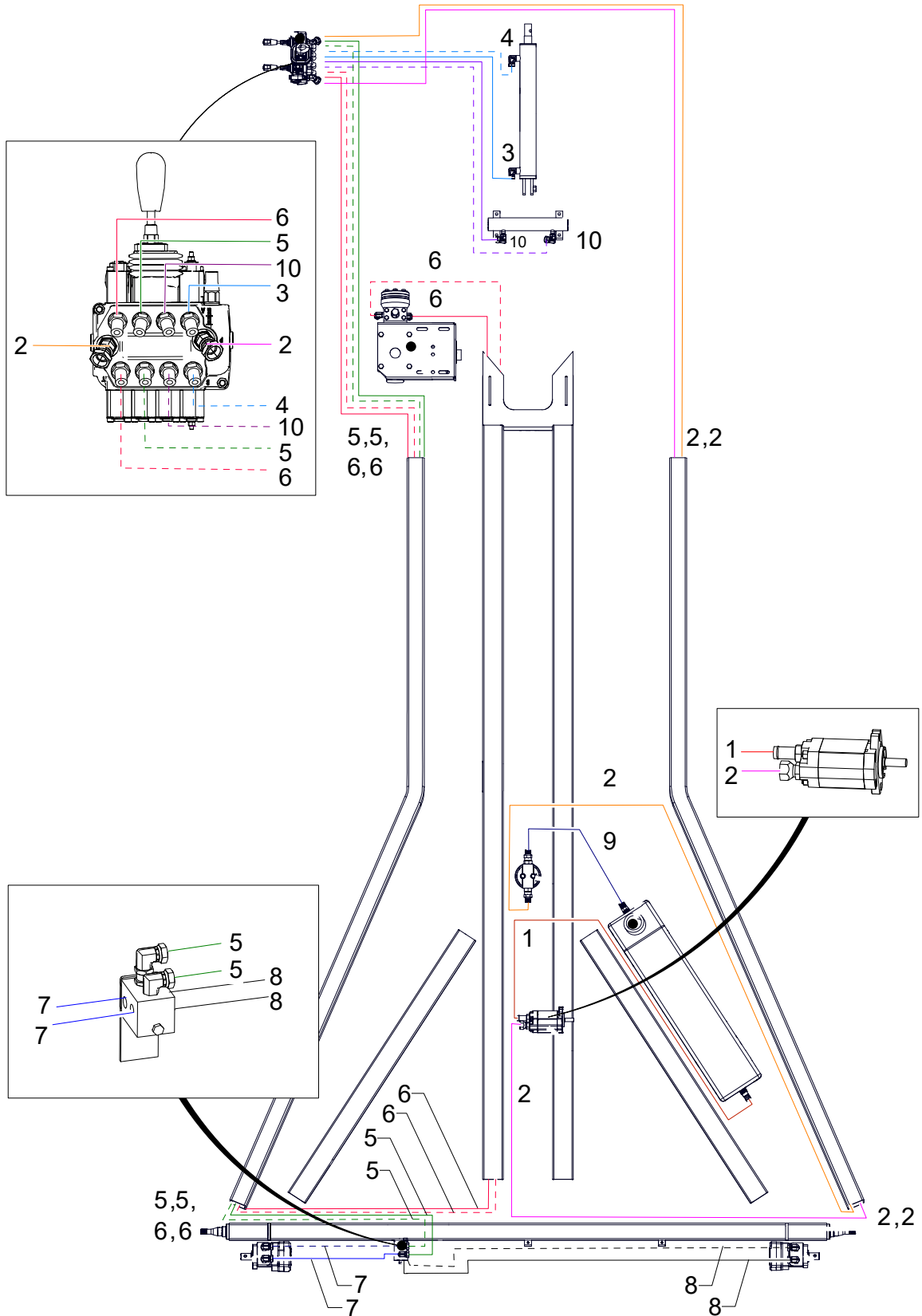


Hose identification is defined by a single band of colour on the valve end of the hose: Blue - 3 & 4, Green - 5, White - 6, Red - 10

## HYDRAULIC HOSES, 41 ft (HD SP KIT - HYDRAULIC)

ITEM	PART NO.	DESCRIPTION
1	10-24094	3/4" X 78" HYDRAULIC HOSE
2	10-23380	1/2" X 231" HYDRAULIC HOSE
3	10-29361	3/8" X 60" HYDRAULIC HOSE
4	10-29448	3/8" X 74" HYDRAULIC HOSE
5	10-29518	3/8" X 168" HYDRAULIC HOSE
6	10-24090	3/8" X 334" HYDRAULIC HOSE
7	10-23371	3/8" X 18" HYDRAULIC HOSE
8	10-29443	3/8" X 56" HYDRAULIC HOSE
9	10-24091	1/2" X 22" HYDRAULIC HOSE
10	10-28232	3/8" X 62" HYDRAULIC HOSE

# HYDRAULIC HOSES, 46 ft (HD SP KIT - HYDRAULIC)

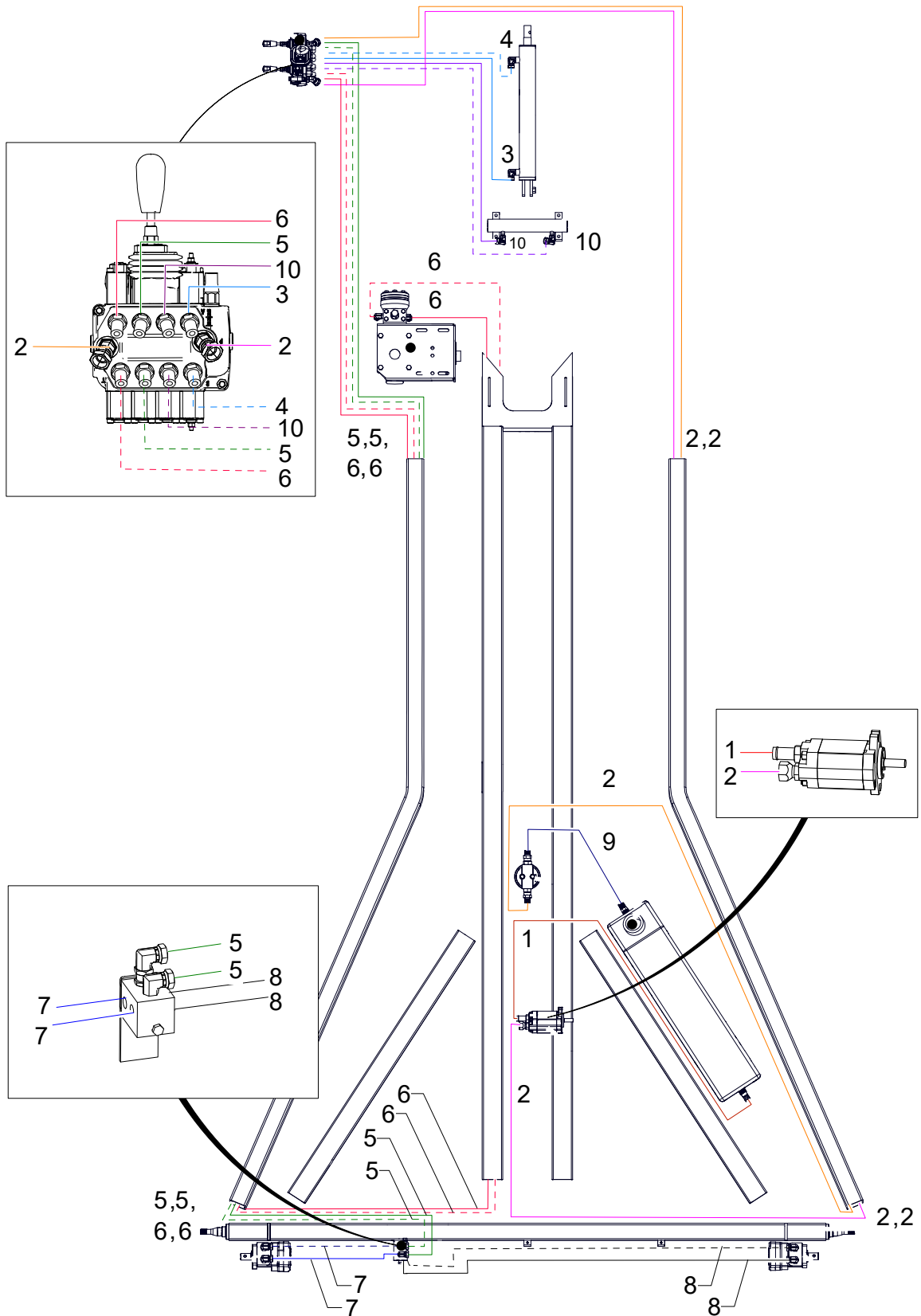


Hose identification is defined by a single band of colour on the valve end of the hose: Blue - 3 & 4, Green - 5, White - 6, Red - 10

## HYDRAULIC HOSES, 46 ft (HD SP KIT - HYDRAULIC)

ITEM	PART NO.	DESCRIPTION
1	10-24094	3/4" X 78" HYDRAULIC HOSE
2	10-23375	1/2" X 240" HYDRAULIC HOSE
3	10-29361	3/8" X 60" HYDRAULIC HOSE
4	10-29448	3/8" X 74" HYDRAULIC HOSE
5	10-23378	3/8" X 180" HYDRAULIC HOSE
6	10-28747	3/8" X 358" HYDRAULIC HOSE
7	10-23371	3/8" X 18" HYDRAULIC HOSE
8	10-29443	3/8" X 56" HYDRAULIC HOSE
9	10-24091	1/2" X 22" HYDRAULIC HOSE
10	10-28232	3/8" X 62" HYDRAULIC HOSE

# HYDRAULIC HOSES, 51 ft (HD SP KIT - HYDRAULIC)



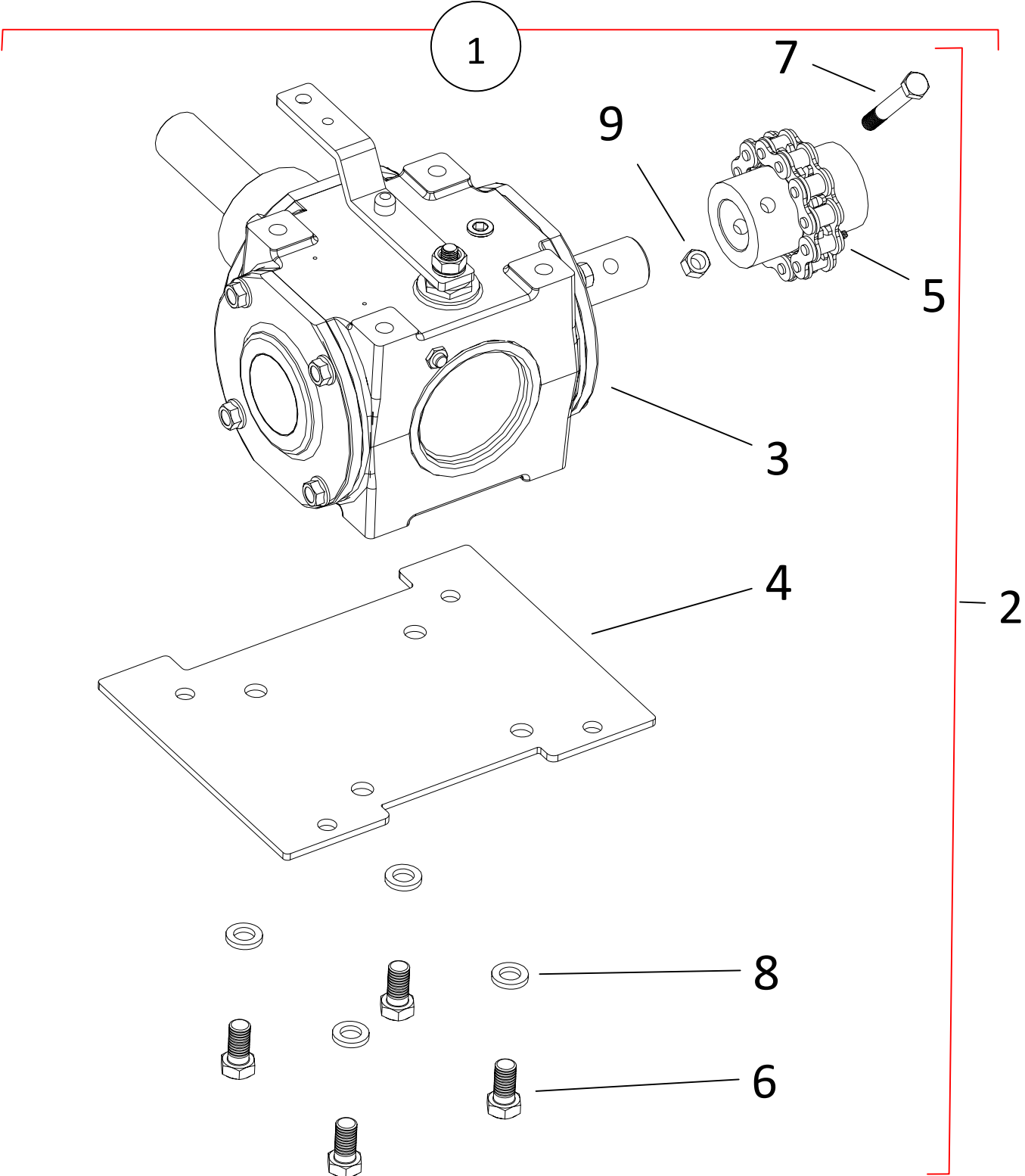
Hose identification is defined by a single band of colour on the valve end of the hose: Blue - 3 & 4, Green - 5, White - 6, Red - 10



## HYDRAULIC HOSES, 51 ft (HD SP KIT - HYDRAULIC)

ITEM	PART NO.	DESCRIPTION
1	10-24094	3/4" X 78" HYDRAULIC HOSE
2	10-20237	1/2" X 256" HYDRAULIC HOSE
3	10-29361	3/8" X 60" HYDRAULIC HOSE
4	10-29448	3/8" X 74" HYDRAULIC HOSE
5	10-23373	3/8" X 192" HYDRAULIC HOSE
6	10-28748	3/8" X 376" HYDRAULIC HOSE
7	10-23371	3/8" X 18" HYDRAULIC HOSE
8	10-29443	3/8" X 56" HYDRAULIC HOSE
9	10-24091	1/2" X 22" HYDRAULIC HOSE
10	10-28232	3/8" X 62" HYDRAULIC HOSE

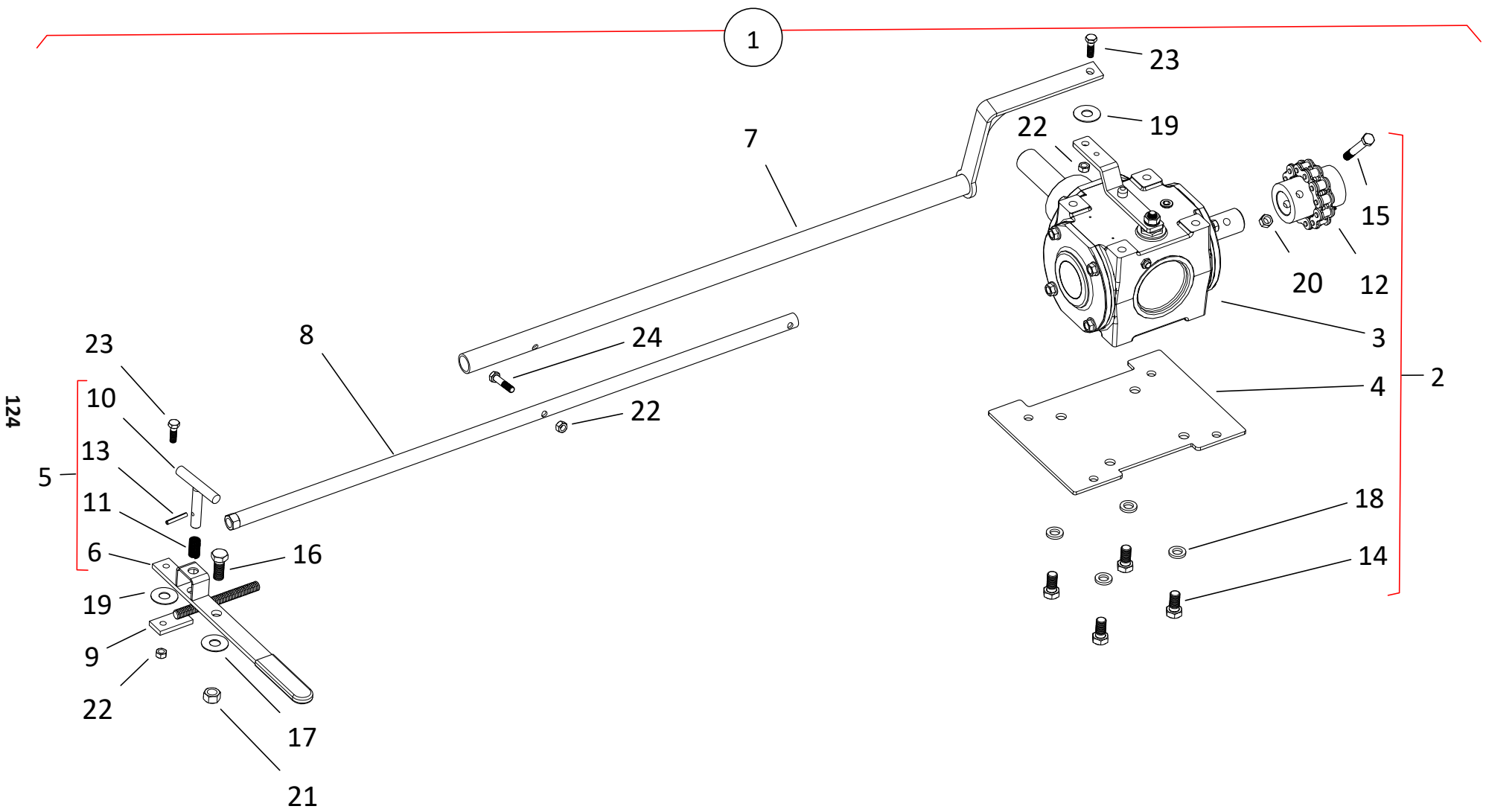
# REVERSIBLE GEARBOX KIT, 31 ft (A393)



## REVERSIBLE GEARBOX KIT, 31 ft (A393)

ITEM	PART NO.	DESCRIPTION
1	05-A393	REVERSIBLE GEARBOX KIT
2	10-23216	REVERSIBLE GEARBOX ASSEMBLY
3	10-29322	REVERSIBLE LARGE SD GEARBOX
4	10-23218	GEARBOX MOUNT PLATE
5	10-19674	COUPLER, 1-1/4" BOLT X 1" KEY
6	10-19231	1/2" X 1" NC BOLT GR 5 PLTD
7	10-19541	3/8" X 2-3/4" NC BOLT GR 2 PLTD
8	10-19605	1/2" LOCK WASHER PLTD
9	10-17402	3/8" NC NYLON LOCKNUT PLTD

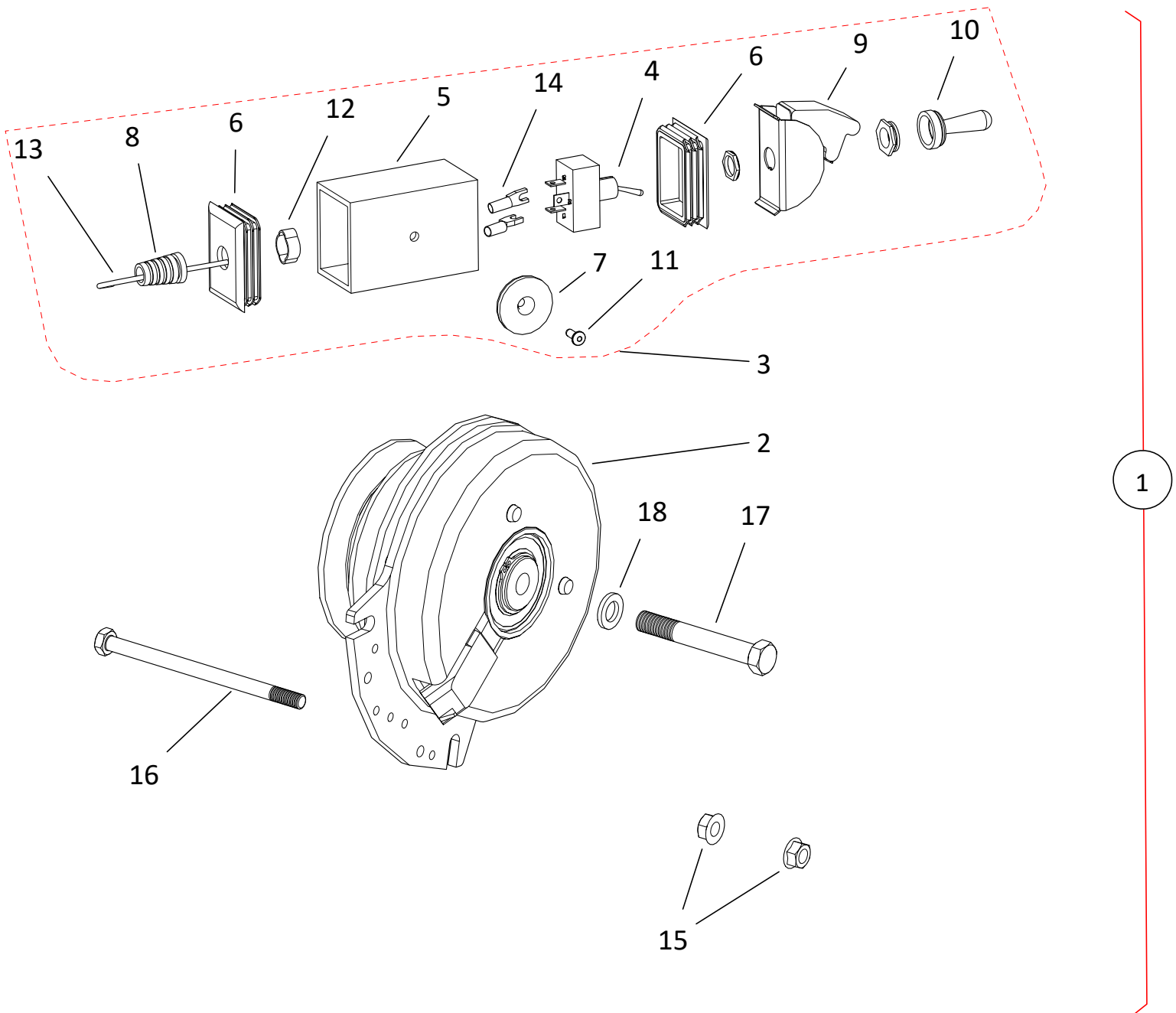
# REVERSIBLE GEARBOX KIT 36, 41, 46, 51 ft (A391)



## REVERSIBLE GEARBOX KIT 36, 41, 46, 51 ft (A391)

ITEM	PART NO.	DESCRIPTION
1	05-A391	REVERSIBLE GEARBOX KIT
2	10-23216	REVERSIBLE GEARBOX ASSEMBLY
3	10-29322	REVERSIBLE LARGE SD GEARBOX
4	10-23218	GEARBOX MOUNT PLATE
5	10-23514	DETENT LEVER ASSEMBLY
6	10-22258	DETENT LEVER ONLY
7	10-24212	GEARBOX PUSH ROD
8	10-23731	GEARBOX HANDLE EXTENSION, STRAIGHT
9	10-22256	ADJUST LUG
10	10-28856	LOCK PIN
11	10-28645	COMPRESSION SPRING (SINGLE)
12	10-19674	COUPLER, 1-1/4" BOLT X 1" KEY
13	10-28726	SLOTTED SPRING PIN 3/16 X 1-1/2 PLN
14	10-19231	1/2" X 1" NC BOLT GR 5 PLTD
15	10-19541	3/8" X 2-3/4" NC BOLT GR 2 PLTD
16	10-19588	1/2" X 1-1/4" NC BOLT GR 5 PLTD
17	10-17401	1/2" FLAT WASHER PLTD
18	10-19605	1/2" LOCK WASHER PLTD
19	10-27336	5/16" FLAT WASHER PLTD
20	10-17402	3/8" NC NYLON LOCKNUT PLTD
21	10-19599	1/2" NC NYLON LOCKNUT GR 2 PLTD
22	10-19980	5/16" NC NYLON LOCKNUT PLTD
23	10-18091	5/16" X 1" NC BOLT GR 2 PLTD
24	10-27788	5/16" X 1-1/2" NC BOLT GR 5 PLTD

# ELECTRIC CLUTCH KIT, DOUBLE (A224 & A225)

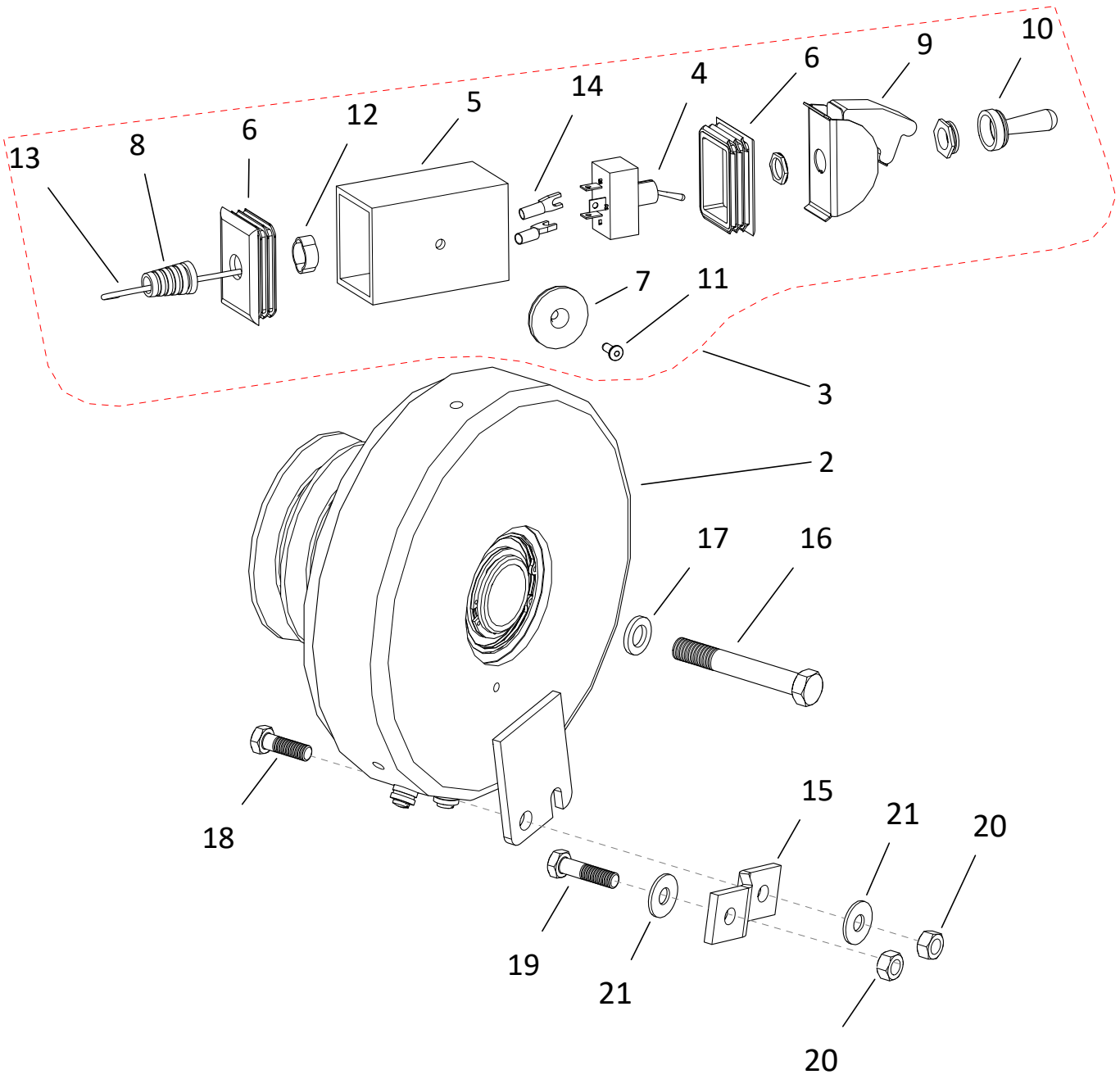


1

## ELECTRIC CLUTCH KIT, DOUBLE (A224 & A225)

ITEM	PART NO.	DESCRIPTION
1	05-A224	ELECTRIC CLUTCH KIT, 1-1/8"
1	05-A225	ELECTRIC CLUTCH KIT, 1"
2	0603001	CLUTCH, ELEC, 1-1/8" ENG SFT, 175FT#
2	0603005	CLUTCH, ELEC, 1" ENG SFT, 175
3	0603010A	ELECTRIC CLUTCH SWITCH ASSEMBLY
4	0600568-2	CLUTCH TOGGLE
5	0603010-1	SWITCH BOX, ELECTRIC CLUTCH, ALUMINUM
6	0603010-2A	PLUG, PLASTIC, 1-1/2 X 2 W/ HOLE
7	0603010-3	MAGNET, 1-1/4", CUPPED, COUNTERSUNK
8	0603010-4	STRAIN RELIEF, ROUND, SOLID RIB
9	0603010-6	SWITCH GUARD, FLIP COVER
10	0603010-7	SWITCH, SPLASHPROOF BOOT ASSY
11	10-20765	3/16"X1/2" BLIND RIVET (SMALL HEAD)
12	10-20582	3/8 CRIMPED CIRCLE CLAMP
13	10-21977	14/2 YELLOW WIRE 25 FEET
14	10-18365	3/16 SPADE TERMINAL
15	10-19595	5/16" NC SERRATED FLANGE NUT PLTD
16	10-19936	5/16" X 5" NC BOLT GR 2 PLTD
17	9900935	7/16" X 3" UNF GR5 PLTD
18	9900508	7/16 LOCK WASHER PLTD
19	10-28663	STANDARD BLADE FUSE HOLDER (NOT SHOWN)
20	10-28602	PIGTAIL, NNS CLUTCH (NOT SHOWN)
21	9900522	TERMINAL, RING 14GA 3/8 EYELET CRIMP (NOT SHOWN)
22	9900572	TERMINAL, SPADE, MALE (NOT SHOWN)
23	9900614-2	20 AMP STANDARD BLADE FUSE (NOT SHOWN)
24	9900622	CONNECTOR, TAP-IN SPLICE, 18-14 GA (NOT SHOWN)

# ELECTRIC CLUTCH KIT, TRIPLE (A414)

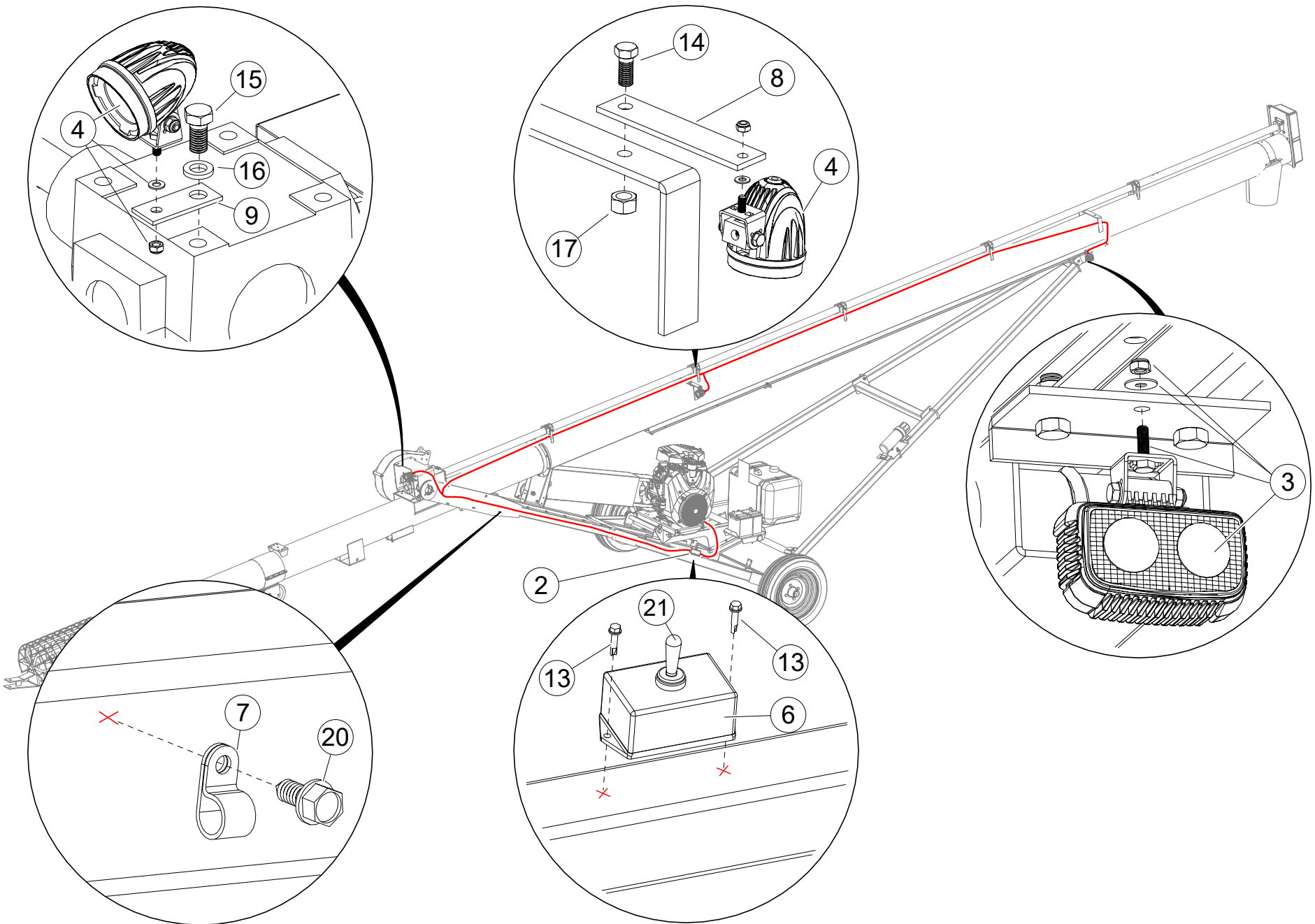


1



## ELECTRIC CLUTCH KIT, TRIPLE (A414)

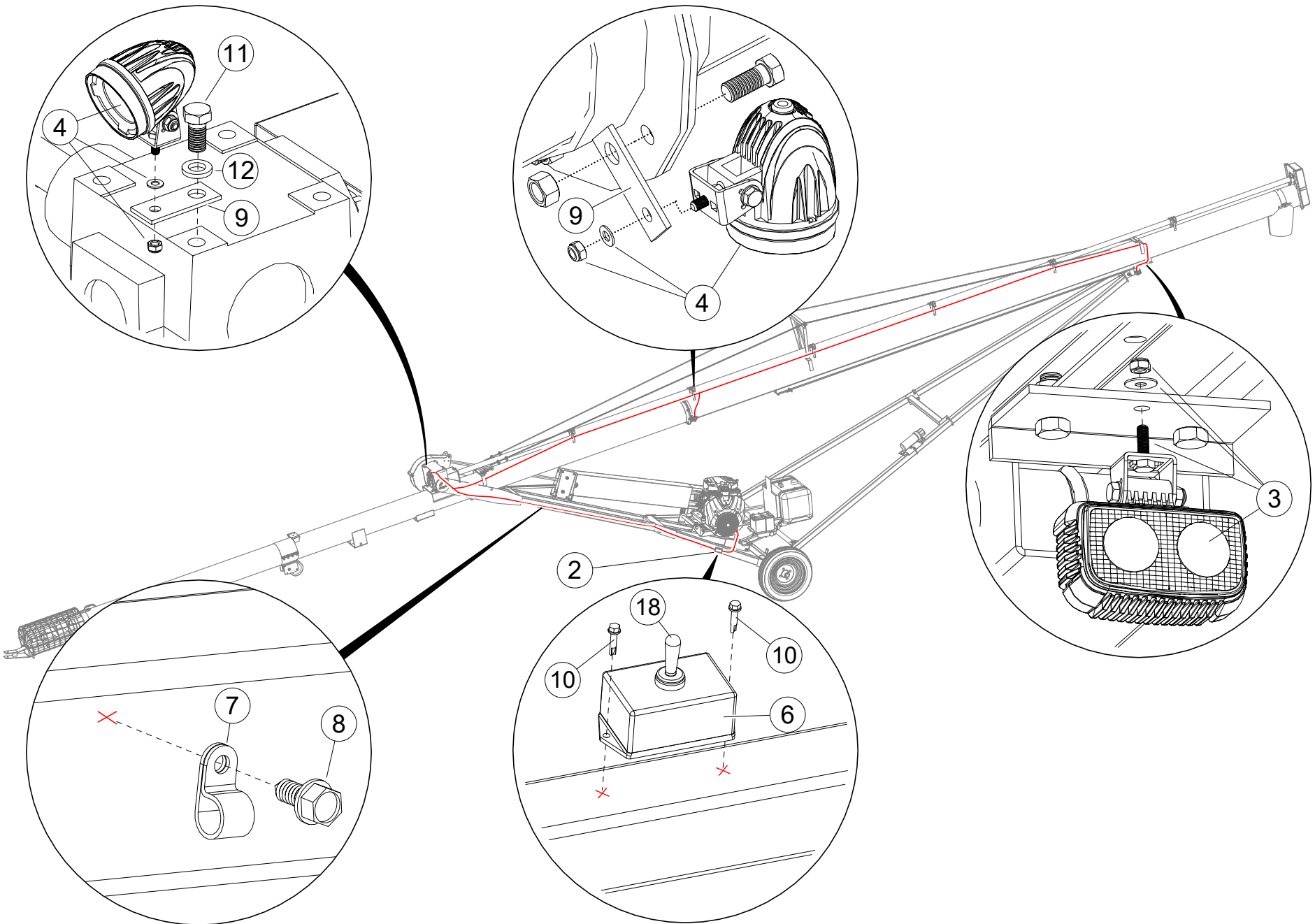
ITEM	PART NO.	DESCRIPTION
1	05-A414	STX2/XTA(2019)ELEC CLUTCH 1-1/8 TRP
2	10-29876	ELEC CLUTCH ONLY, 1-1/8" TRIPLE GRV
3	0603010A	ELECTRIC CLUTCH SWITCH ASSEMBLY
4	0600568-2	CLUTCH TOGGLE
5	0603010-1	SWITCH BOX, ELECTRIC CLUTCH, ALUMINUM
6	0603010-2A	PLUG, PLASTIC, 1-1/2 X 2 W/ HOLE
7	0603010-3	MAGNET, 1-1/4", CUPPED, COUNTERSUNK
8	0603010-4	STRAIN RELIEF, ROUND, SOLID RIB
9	0603010-6	SWITCH GUARD, FLIP COVER
10	0603010-7	SWITCH, SPLASHPROOF BOOT ASSY
11	10-20765	3/16"X1/2" BLIND RIVET (SMALL HEAD)
12	10-20582	CRIMPED CIRCLE CLAMP, 3/8
13	10-21977	14/2 YELLOW WIRE 25 FEET
14	10-18365	SPADE TERMINAL, 3/16
15	10-24074	CLUTCH STOP, TRIPLE CLUTCH, STX
16	9900935	BOLT, 7/16" X 3"
17	9900508	LOCK WASHER, 7/16"
18	10-18091	5/16" X 1" NC BOLT GR 2 PLTD
19	10-17748	5/16" X 1-1/4" NC BOLT GR 2 PLTD
20	10-19980	5/16" NC NYLON LOCKNUT PLTD
21	10-27336	5/16" FLAT WASHER PLTD
22	10-28663	STANDARD BLADE FUSE HOLDER (NOT SHOWN)
23	10-28602	PIGTAIL, NNS CLUTCH (NOT SHOWN)
24	9900522	TERMINAL, RING 14GA 3/8 EYELET CRIMP (NOT SHOWN)
25	9900571	TERMINAL, RING 14GA 9/64 EYELET CRIMP (NOT SHOWN)
26	9900572	TERMINAL, SPADE, MALE (NOT SHOWN)
27	9900614-2	20 AMP STANDARD BLADE FUSE (NOT SHOWN)
28	9900622	CONNECTOR, TAP-IN SPLICE, 18-14 GA (NOT SHOWN)



## LIGHT KIT 31, 36, 41 ft (A317)

ITEM	PART NO.	DESCRIPTION
1	05-A317	LIGHT KIT
2	10-22400	HARNESS & SWITCH BOX ASSY
3	10-22395	FLOOD LAMP, LEDWD-2L20 (INCLUDES HARDWARE)
4	10-22394	MINI FLOOD LAMP, LEDWD-1L10 (INCLUDES HARDWARE)
5	10-22427	LEAD CONNECTOR, DEUTSCH DT06-2S (NOT SHOWN)
6	10-22399	SWITCH BOX ONLY
7	10-22397	CLAMP, 1/4"
8	10-22389	LIGHT BRACKET
9	10-22286	TRANSPORT CHAIN LUG
10	10-22446	FUSE, BUSS AGC 20A (NOT SHOWN)
11	10-22424	WEATHER PACK SHROUD, 1 POS (NOT SHOWN)
12	10-22425	WEATHER PACK TOWER, 1 POS (NOT SHOWN)
13	10-22396	8-18 X 3/4" TEK SCREW
14	10-19542	7/16" X 1" NC BOLT GR 5 PLTD
15	10-18955	3/8" X 1" NC BOLT GR 5 PLTD (8" ONLY)
15	10-19231	1/2" X 1" NC BOLT GR 5 PLTD (10" ONLY)
16	10-19604	3/8" LOCK WASHER PLTD (8" ONLY)
16	10-19605	1/2" LOCK WASHER PLTD (10" ONLY)
17	10-19598	7/16" NC NYLON LOCKNUT GR 2 PLTD
18	9900622	CONNECTOR, TAP-IN SPLICE, 16-14 GA (NOT SHOWN)
19	10-23129	ENGINE POWER SPLICE HARNESS (NOT SHOWN)
20	10-19274	#14 X 5/8" SMS AB GR 5 PLTD
21	10-24355	WEATHERPROOF TOGGLE SWITCH

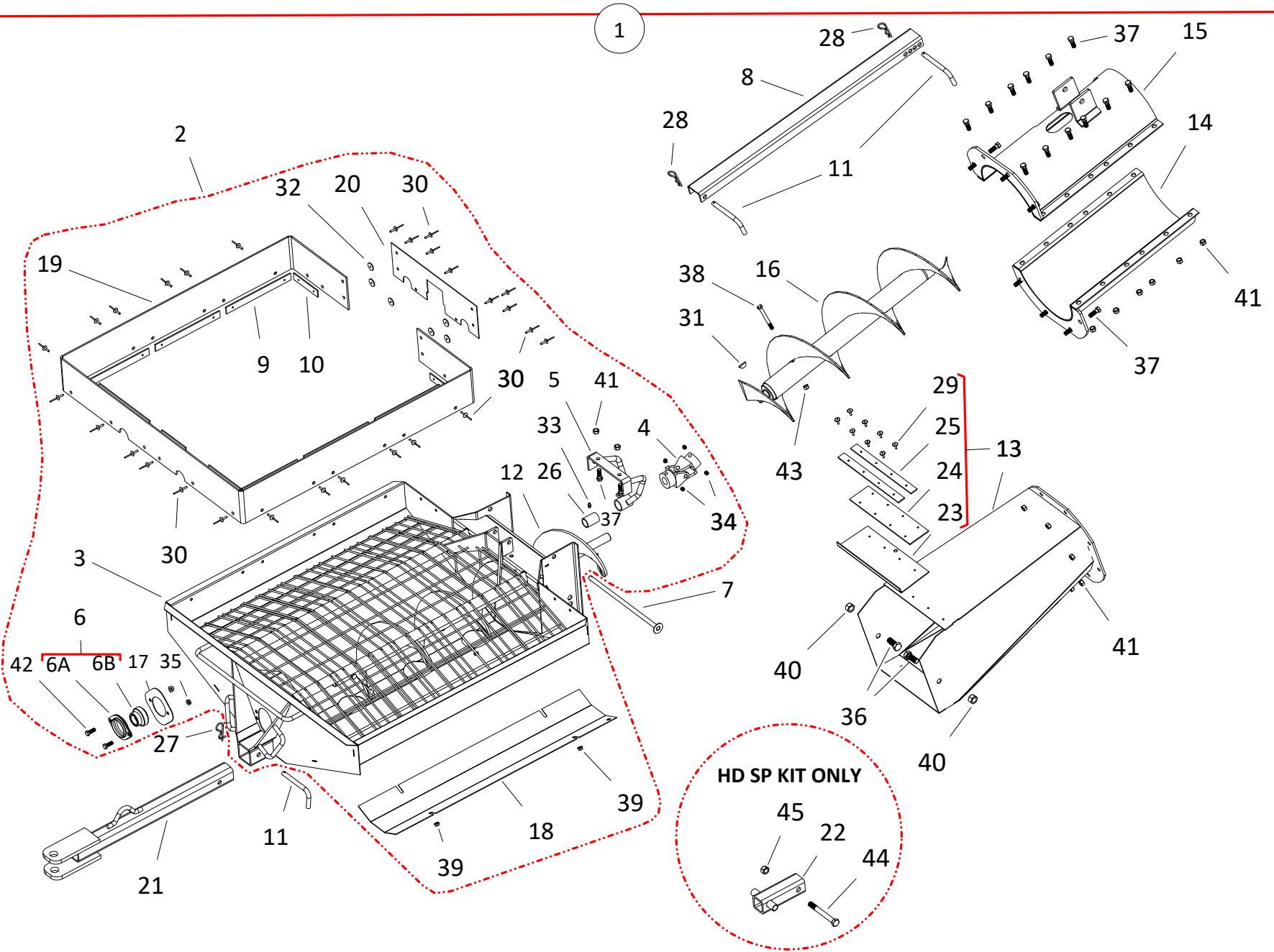
LIGHT KIT, 46-51 ft (A318)



## LIGHT KIT, 46-51 ft (A318)

ITEM	PART NO.	DESCRIPTION
1	05-A318	LIGHT KIT
2	10-22401	HARNESS & SWITCH BOX ASSY
3	10-22395	FLOOD LAMP, LEDWD-2L20 (INCLUDES HARDWARE)
4	10-22394	MINI FLOOD LAMP, LEDWD-1L10 (INCLUDES HARDWARE)
5	10-22427	LEAD CONNECTOR, DEUTSCH DT06-2S (NOT SHOWN)
6	10-22399	SWITCH BOX ONLY
7	10-22397	CLAMP, 1/4"
8	10-19274	#14 X 5/8" SMS AB GR 5 PLTD
9	10-22286	TRANSPORT CHAIN LUG
10	10-22396	8-18 X 3/4" TEK SCREW
11	10-18955	3/8" X 1" NC BOLT GR 5 PLTD (8" ONLY)
11	10-19231	1/2" X 1" NC BOLT GR 5 PLTD (10" ONLY)
12	10-19604	3/8" LOCK WASHER PLTD (8" ONLY)
12	10-19605	1/2" LOCK WASHER PLTD (10" ONLY)
13	10-22446	FUSE, BUSS AGC 20A (NOT SHOWN)
14	10-22424	WEATHER PACK SHROUD, 1 POS (NOT SHOWN)
15	10-22425	WEATHER PACK TOWER, 1 POS (NOT SHOWN)
16	9900622	CONNECTOR, TAP-IN SPLICE, 16-14 GA (NOT SHOWN)
17	10-23129	ENGINE POWER SPLICE HARNESS (NOT SHOWN)
18	10-24355	WEATHERPROOF TOGGLE SWITCH

# INTAKE HOPPER KIT, 8" (A260)

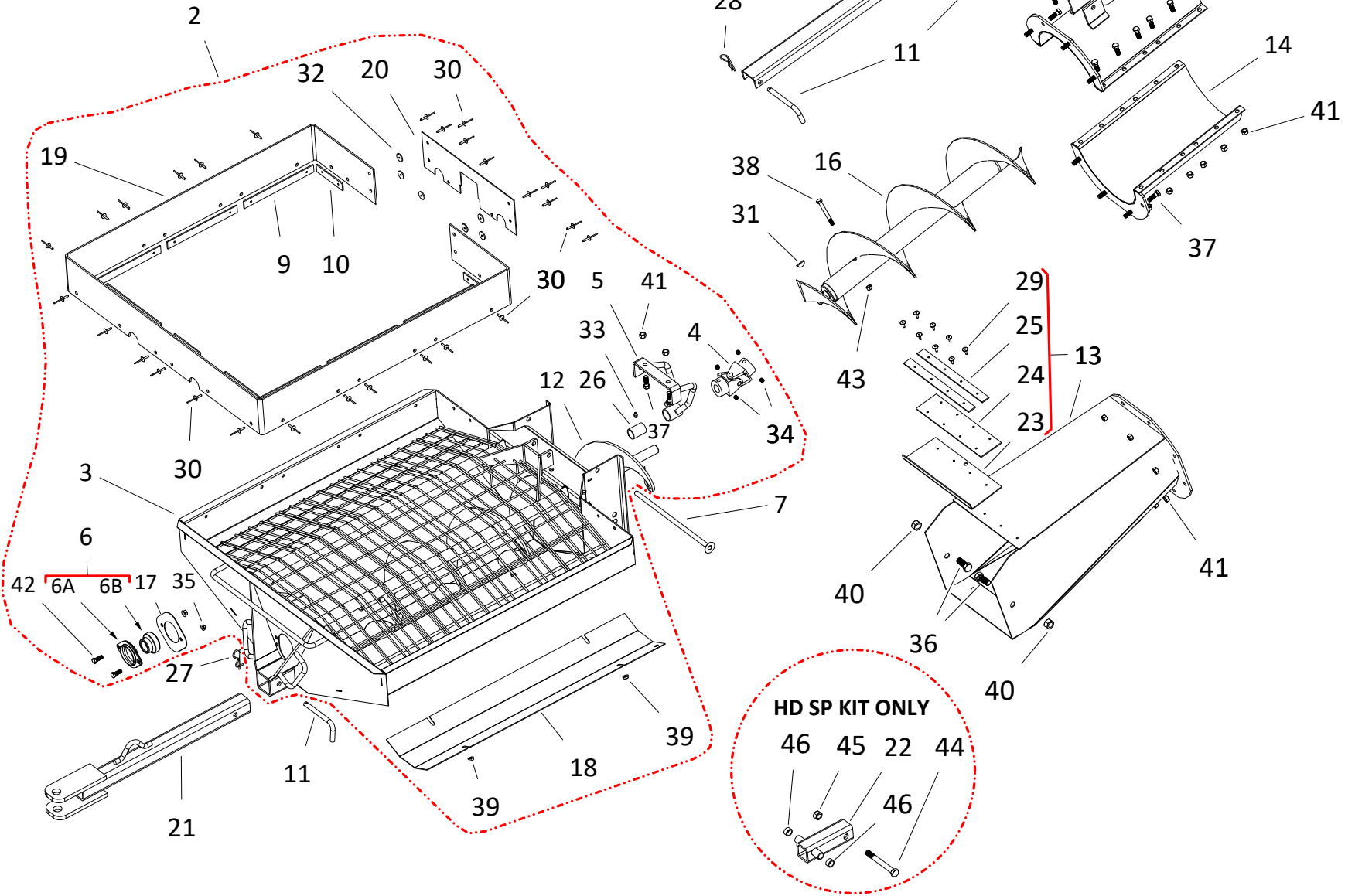


## INTAKE HOPPER KIT, 8" (A260)

ITEM	PART NO.	DESCRIPTION
1	05-A260	INTAKE HOPPER KIT
2	10-29318	INTAKE HOPPER ASSEMBLY
3	10-29317	INTAKE HOPPER ONLY
4	10-29175	HIGH ANGLE LP U-JOINT
4A	10-17029	CROSS KIT
5	10-29329	BUSHING SUPPORT, W/ BUSHING
6	10-19322	1-1/4" BEARING, 2-BOLT (w/ FLANGES)
6A	10-18695	2-BOLT FLANGE ONLY
6B	10-18853	1-1/4" BEARING ONLY
7	10-29323	DOOR PIN
8	10-29809	TRANSPORT CHANNEL
9	10-22050	BELTING ATTACH STRAP (MEDIUM)
10	10-22049	BELTING STRAP (SHORT)
11	10-19648	SADDLE PIN
12	10-29320	INTAKE HOPPER FLIGHTING
13	10-29806	INTAKE HOPPER TRANSITION
14	10-29333	BOTTOM TUBE CLAMP
15	10-29332	TOP TUBE CLAMP
16	10-29805	TRANSITION FLIGHT
17	10-29338	BEARING SUPPORT PLATE
18	10-29355	CLEANOUT COVER
19	10-29353	INTAKE HOPPER RUBBER EXT.
20	10-29354	RUBBER CONNECT PLATE
21	10-29336	INTAKE HOPPER TOW BAR
22	200387	OFFSET HITCH ADAPTER
23	10-21968	8" TRANSITION ACCESS DOOR
24	10-21779	TRANSITION BELT
25	10-21806	REG TRANSITION BELT STRAP
26	10-19149	1" BUSHING
27	10-17383	3610 GRIP CLIP
28	10-19463	210 HITCH PIN
29	10-18185	ASF\0621 RIVET (LARGE FLANGE)
30	10-20399	3/16" X 5/8" GRIP RIVET
31	10-19224	1/4" X 1" WOODRUFF KEY PLAIN
32	10-18186	1" X 13/64" X 18 GA WASHER PLTD
33	10-19222	1/4" FINE THREAD ZIRK
34	10-19225	SETScrew, 3/8" UNC X 3/8" REGULAR
35	10-19596	3/8" NC SERRATED FLANGE NUT PLTD
36	10-19590	5/8" X 1-1/2" NC BOLT GR 8 PLTD
37	10-18698	7/16" X 1-1/4" NC BOLT GR 8 PLTD
38	10-18699	3/8" X 2-1/2" NC BOLT GR 5 PLTD
39	10-19595	5/16" NC SERRATED FLANGE NUT PLTD
40	10-19600	5/8" NC NYLON LOCKNUT PLTD
41	10-19598	7/16" NC NYLON LOCKNUT GR 2 PLTD
42	10-18955	3/8" X 1" NC BOLT GR 5 PLTD
43	10-17402	3/8" NC NYLON LOCKNUT PLTD
44	10-18947	1/2" X 4" NC BOLT GR 8 PLTD
45	10-19599	1/2" NC NYLON LOCKNUT GR 2 PLTD

INTAKE HOPPER KIT, 10" (A249)

1

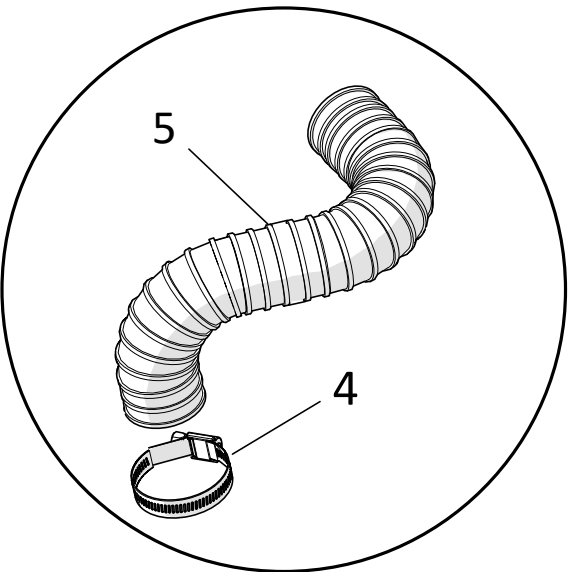
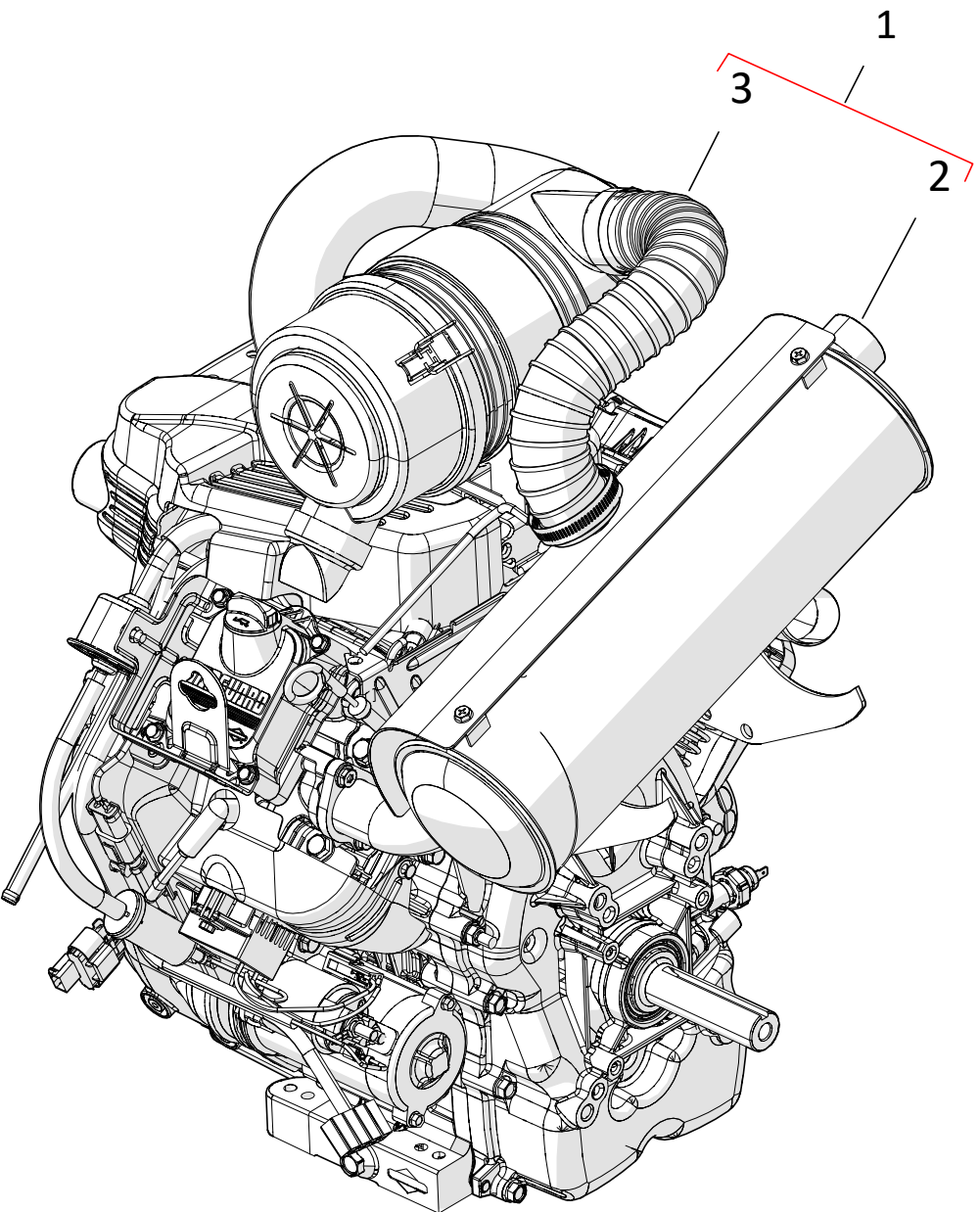




## INTAKE HOPPER KIT, 10" (A249)

ITEM	PART NO.	DESCRIPTION
1	05-A249	INTAKE HOPPER KIT
2	10-29319	INTAKE HOPPER ASSEMBLY
3	10-29317	INTAKE HOPPER ONLY
4	10-29175	HIGH ANGLE LP U-JOINT
4A	10-17029	CROSS KIT
5	10-29331	BUSHING SUPPORT, W/ BUSHING
6	10-19322	1-1/4" BEARING, 2-BOLT (w/ FLANGES)
6A	10-18695	2-BOLT FLANGE ONLY
6B	10-18853	1-1/4" BEARING ONLY
7	10-29323	DOOR PIN
8	10-29337	TRANSPORT CHANNEL
9	10-22050	BELTING ATTACH STRAP (MEDIUM)
10	10-22049	BELTING STRAP (SHORT)
11	10-19648	SADDLE PIN
12	10-29321	INTAKE HOPPER FLIGHTING
13	10-29325	INTAKE HOPPER TRANSITION
14	10-29335	BOTTOM TUBE CLAMP
15	10-29334	TOP TUBE CLAMP
16	10-29328	TRANSITION FLIGHT
17	10-29338	BEARING SUPPORT PLATE
18	10-29355	CLEANOUT COVER
19	10-29353	INTAKE HOPPER RUBBER EXT.
20	10-29354	RUBBER CONNECT PLATE
21	10-29336	INTAKE HOPPER TOW BAR
22	200387	OFFSET HITCH ADAPTER
23	10-21775	10" TRANSITION ACCESS DOOR
24	10-21779	TRANSITION BELT
25	10-21806	REG TRANSITION BELT STRAP
26	10-19149	1" BUSHING
27	10-17383	3610 GRIP CLIP
28	10-19463	210 HITCH PIN
29	10-18185	ASF\0621 RIVET (LARGE FLANGE)
30	10-20399	3/16" X 5/8" GRIP RIVET
31	10-19224	1/4" X 1" WOODRUFF KEY PLAIN
32	10-18186	1" X 13/64" X 18 GA WASHER PLTD
33	10-19222	1/4" FINE THREAD ZIRK
34	10-19225	SETScrew, 3/8" UNC X 3/8" REGULAR
35	10-19596	3/8" NC SERRATED FLANGE NUT PLTD
36	10-19590	5/8" X 1-1/2" NC BOLT GR 8 PLTD
37	10-18698	7/16" X 1-1/4" NC BOLT GR 8 PLTD
38	10-28746	3/8" X 3-1/4" NC BOLT GR 5 PLTD
39	10-19595	5/16" NC SERRATED FLANGE NUT PLTD
40	10-19600	5/8" NC NYLON LOCKNUT PLTD
41	10-19598	7/16" NC NYLON LOCKNUT GR 2 PLTD
42	10-18955	3/8" X 1" NC BOLT GR 5 PLTD
43	10-17402	3/8" NC NYLON LOCKNUT PLTD
44	10-18947	1/2" X 4" NC BOLT GR 8 PLTD
45	10-19599	1/2" NC NYLON LOCKNUT GR 2 PLTD
46	200388	TUBE, SPACER BUSHING

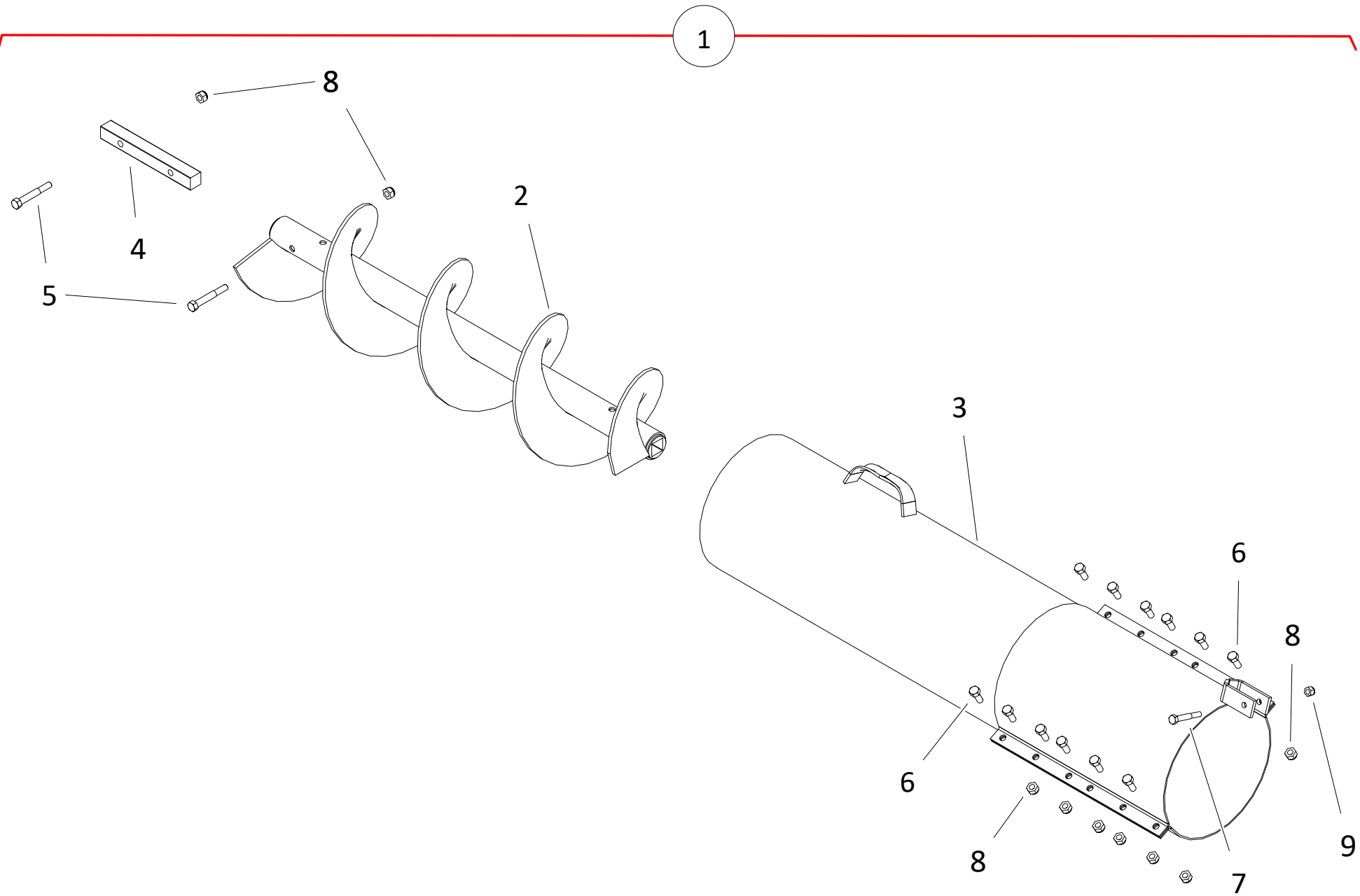
# VANGUARD COLD WEATHER KIT (23746)



## VANGUARD COLD WEATHER KIT (23746)

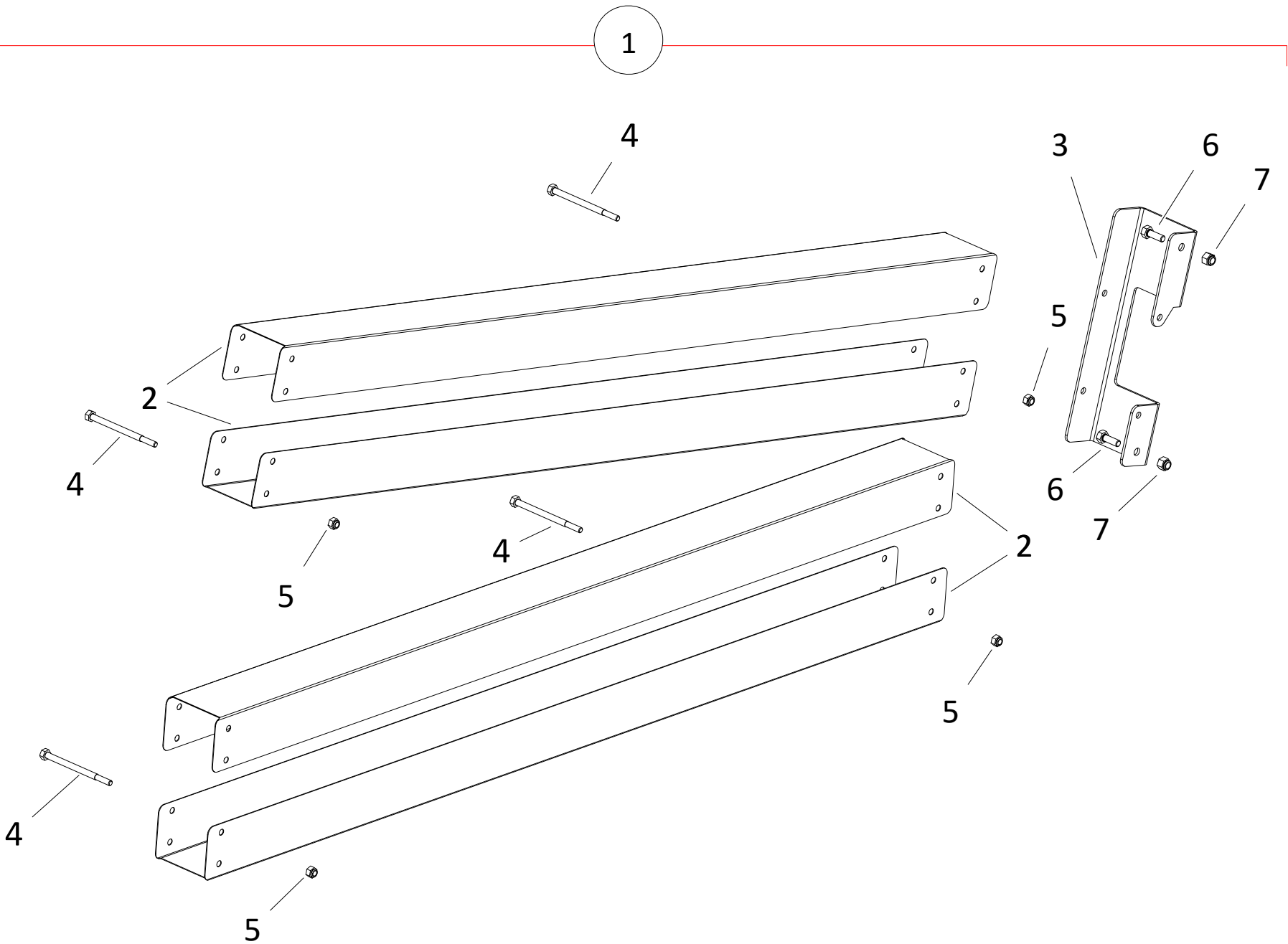
ITEM	PART NO.	DESCRIPTION
1	10-23746	VANGUARD COLD WEATHER KIT W/MUFFLER
2	10-23620	VANGUARD MUFFLER
3	10-23633	VANGUARD COLD WEATHER KIT
4	10-23732	HOSE CLAMP, NON SLIP, SAE 32
5	10-23738	2" HIGH TEMP DUCTING - 16" LONG

# 3ft EXTENSION KIT, STX2 (A442YL)



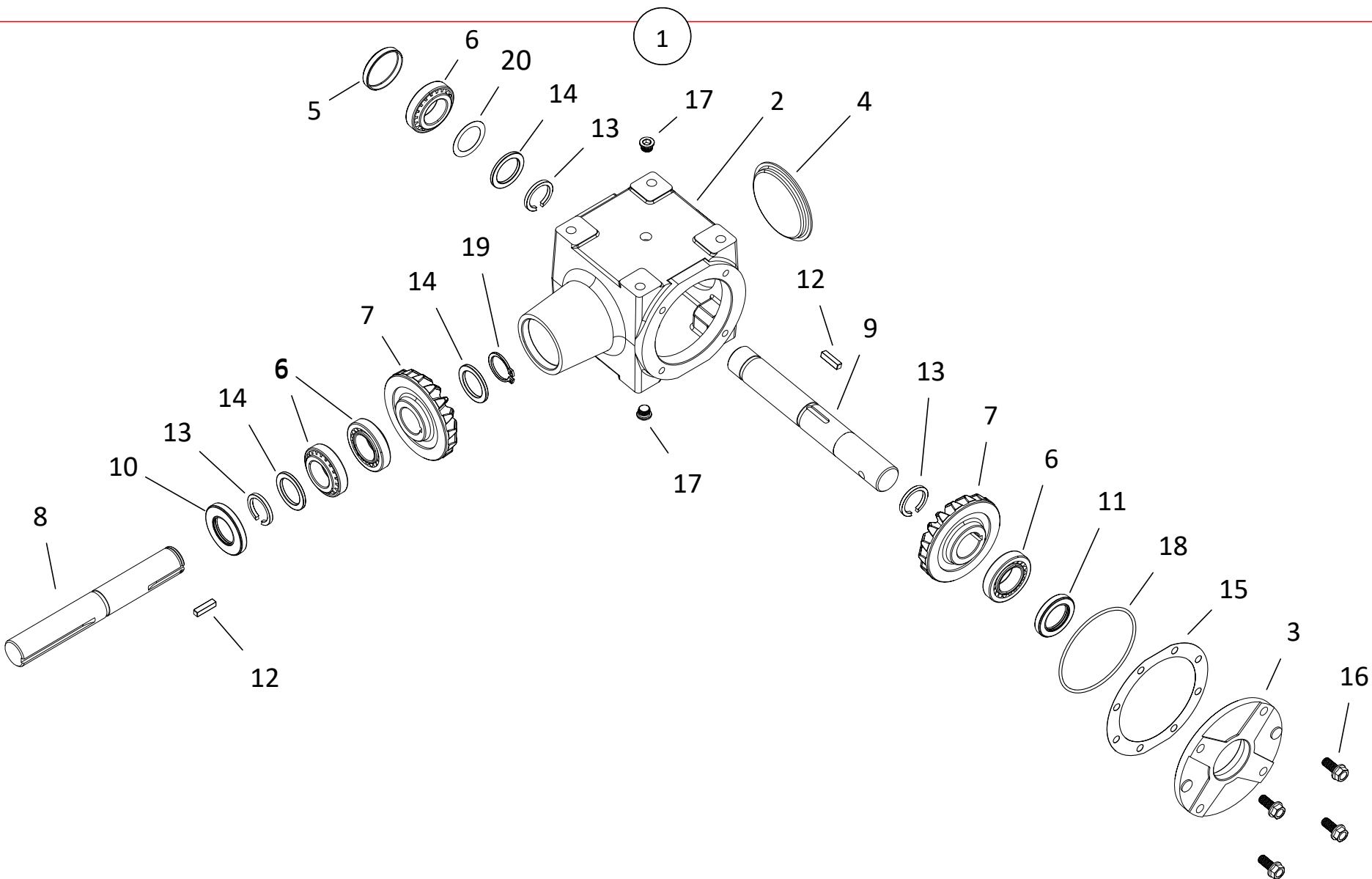
### 3ft EXTENSION KIT, STX2 (A442YL)

ITEM	PART NO.	DESCRIPTION
1	05-A442YL	3' EXTENSION, SQ SHAFT
2	200382	FLT, UNDERFLOOR EXT 3'
3	10-27689	3' EXT. TUBE ONLY
4	10-21690	FLIGHT CONNECTING SHAFT
5	10-19546	7/16" X 3" NC BOLT GR 5 PLTD
6	10-19542	7/16" X 1" NC BOLT GR 5 PLTD
7	10-18699	3/8" X 2-1/2" NC BOLT GR 5 PLTD
8	10-19598	7/16" NC NYLON LOCKNUT GR 2 PLTD
9	10-17402	3/8" NC NYLON LOCKNUT PLTD



## ENCLOSED GUARD KIT (A437 | A438 | A439 | A440)

ITEM	PART NO.	DESCRIPTION
1	05-A437	ENCLOSED GUARD KIT (36' ONLY)
1	05-A438	ENCLOSED GUARD KIT (41' ONLY)
1	05-A439	ENCLOSED GUARD KIT (46' ONLY)
1	05-A440	ENCLOSED GUARD KIT (51' ONLY)
2	200563GA	BRKT, STX2 36 CLOSED GUARD CHANNEL
2	200558GA	BRKT, STX2 41 CLOSED GUARD CHANNEL
2	200553GA	BRKT, STX2 46 CLOSED GUARD CHANNEL
2	200548GA	BRKT, STX2 51 CLOSED GUARD CHANNEL
3	200538RD	BRKT, STX2 CLSD GUARD UPPR CHNL MNT
4	10-23954	5/16" X 4-1/2" NC BOLT GR 5 PLTD
5	10-19980	5/16" NC NYLON LOCKNUT PLTD
6	10-18955	3/8" X 1" NC BOLT GR 5 PLTD
7	10-17402	3/8" NC NYLON LOCKNUT PLTD

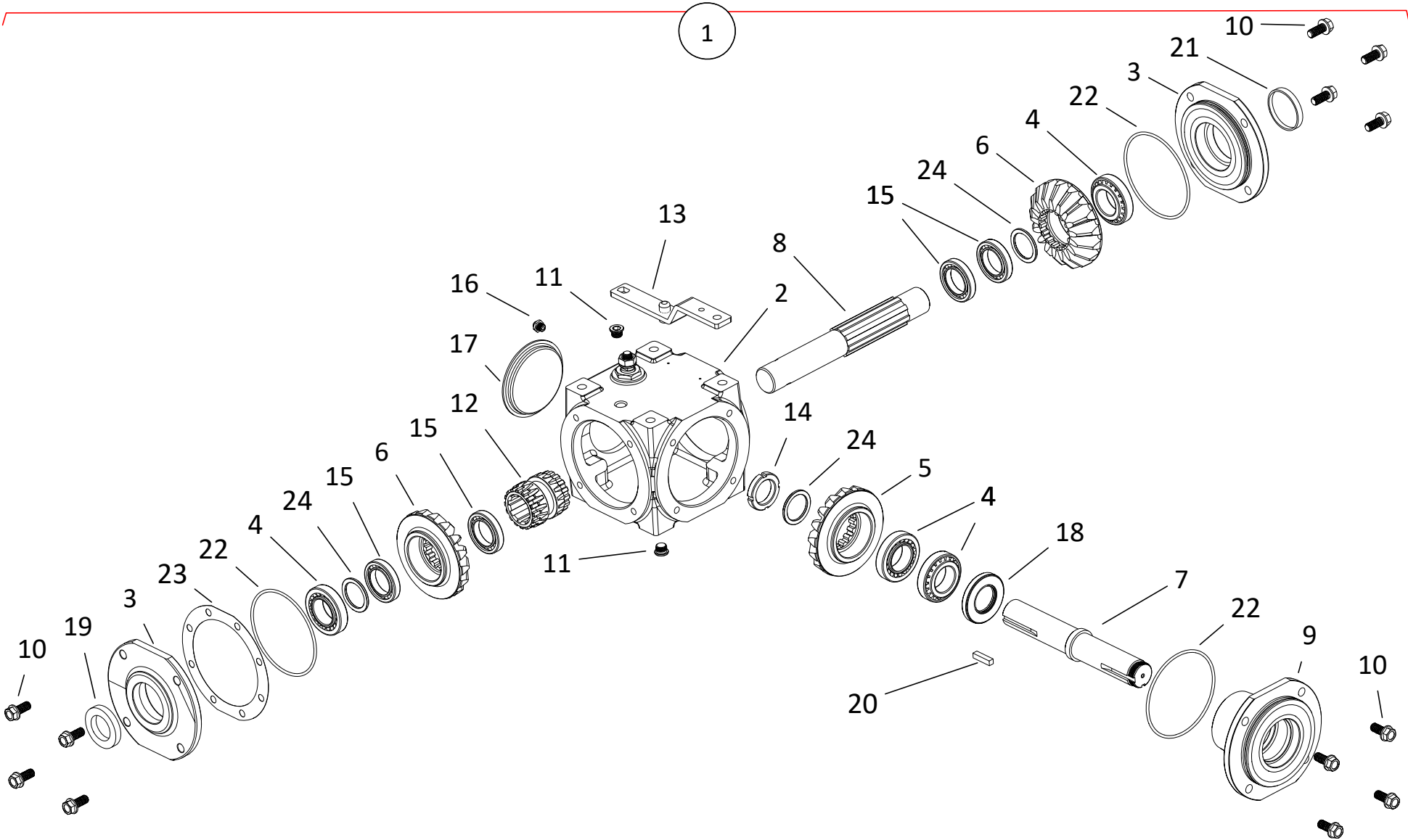




## GEARBOX (29676)

ITEM	PART NO.	DESCRIPTION
1	10-29676	GEARBOX
2	10-17173	HOUSING
3	10-18423	GEARBOX CAP
4	10-17177	GEARBOX COVER/STAMPING
5	10-18963	GEARBOX EXPANSION PLUG
6	10-19265	CONE BEARING
6	10-19266	CUP
7	10-18428	GEARBOX GEAR
8	10-20429	GEARBOX SHAFT
9	10-17176	GEARBOX SHAFT
10	10-18427	SEAL
11	10-18403	GEARBOX SEAL
12	10-18425	SQUARE KEY, 1/4" X 1-1/8"
13	10-18405	GEARBOX SNAP RING
14	10-18426	GEARBOX SPACER
15	10-18553	GASKET, GEARBOX SHIM
16	10-19955	3/8" X 1" NC BOLT GR 5 BLACK
17	10-18393	1/4 NPT PIPE PLUG
18	10-27701	O-RING, 105 x 3.1MM
19	10-18962	GEARBOX SNAP RING
20	10-18411	GEARBOX SHIM

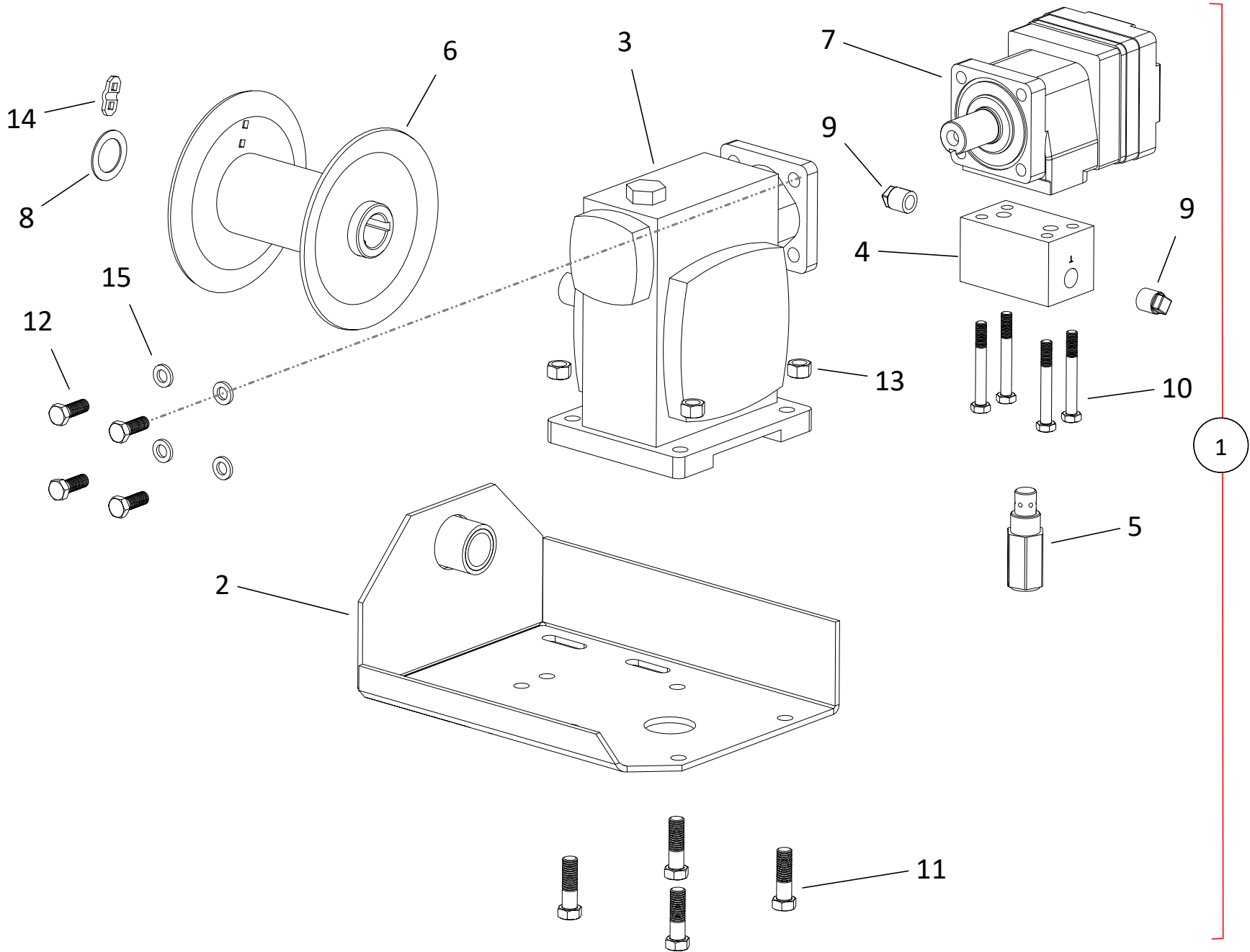
REVERSIBLE GEARBOX (29322)



## REVERSIBLE GEARBOX (29322)

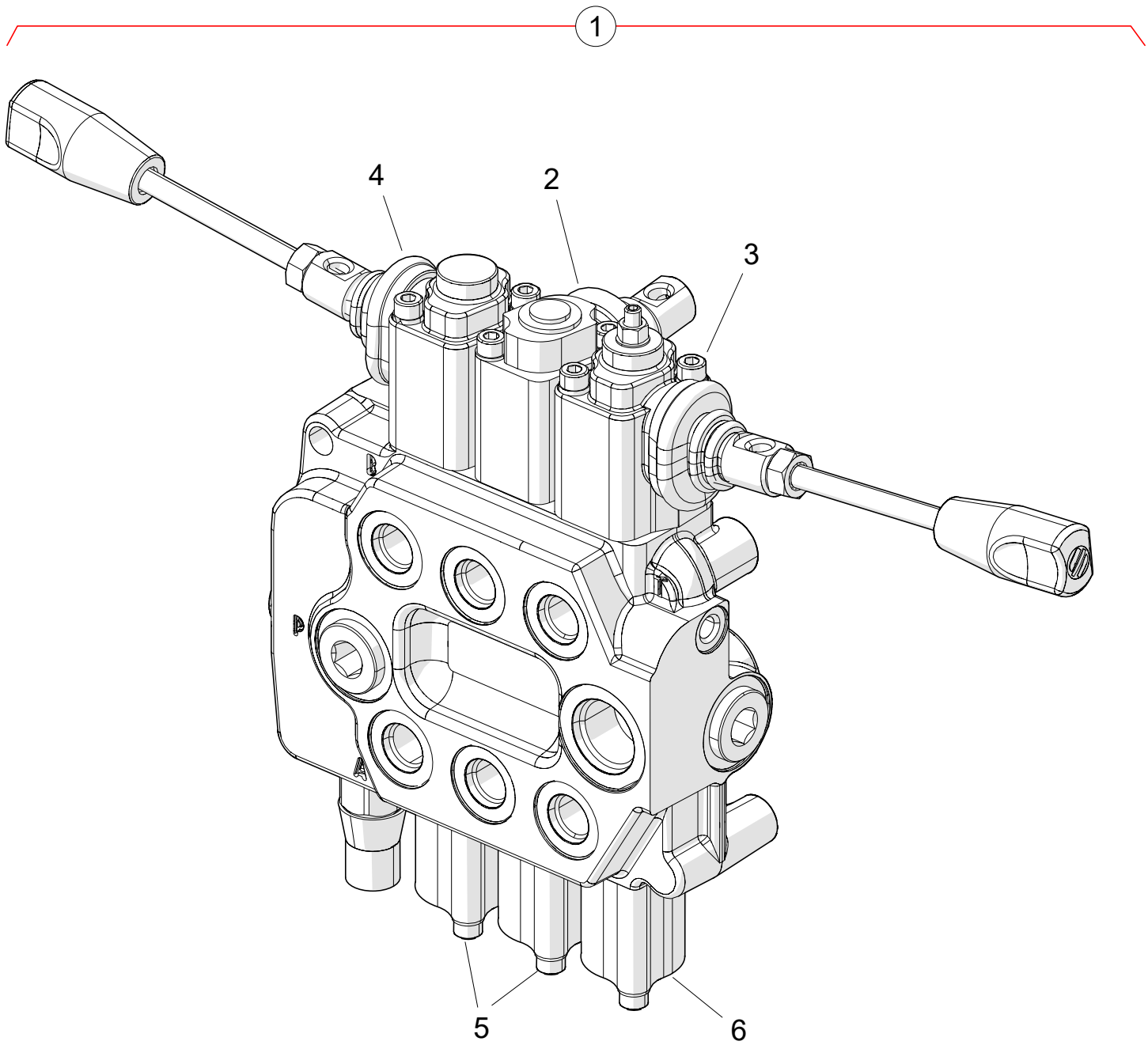
ITEM	PART NO.	DESCRIPTION
1	10-29322	REVERSIBLE LARGE SD GEARBOX
2	10-22038	HOUSING
3	10-18423	GEARBOX CAP
4	10-19265	BEARING CONE TIMKEN # LM 67048
4	10-19266	BEARING CUP TIMKEN # LM 67010
5	10-18428	GEARBOX GEAR
6	10-22055	GEAR DP 4 TEETH 17, NO KEYWAY
7	10-22040	SHAFT, QUILL
8	10-22041	SHAFT, CROSS
9	10-18422	GEARBOX PINION HOUSING
10	10-19955	3/8" X 1" NC BOLT GR 5 BLACK
11	10-18394	1/4 VENT GEARBOX PLUG
12	10-22044	SPLINE BUSHING
13	10-22045	SHIFTER ASSEMBLY
14	10-22046	LOCKNUT, M30 X 1.5
15	10-22047	BEARING, 16006
16	10-22048	1/8" NPT RELIEF PLUG
17	10-17177	GEARBOX COVER/STAMPING
18	10-18427	SEAL, NATIONAL # 471808, CR# 12614
19	10-18403	SEAL, NATIONAL # 470163, CR# 12458
20	10-18425	SQUARE KEY, 1/4" X 1-1/8"
21	10-18963	EXPANSION PLUG
22	10-27701	O-RING, 105 x 3.1MM
23	10-18553	GASKET, GEARBOX SHIM
24	10-22042	RETAINING SHIM

# HYDRAULIC WINCH (23515)



## HYDRAULIC WINCH (23515)

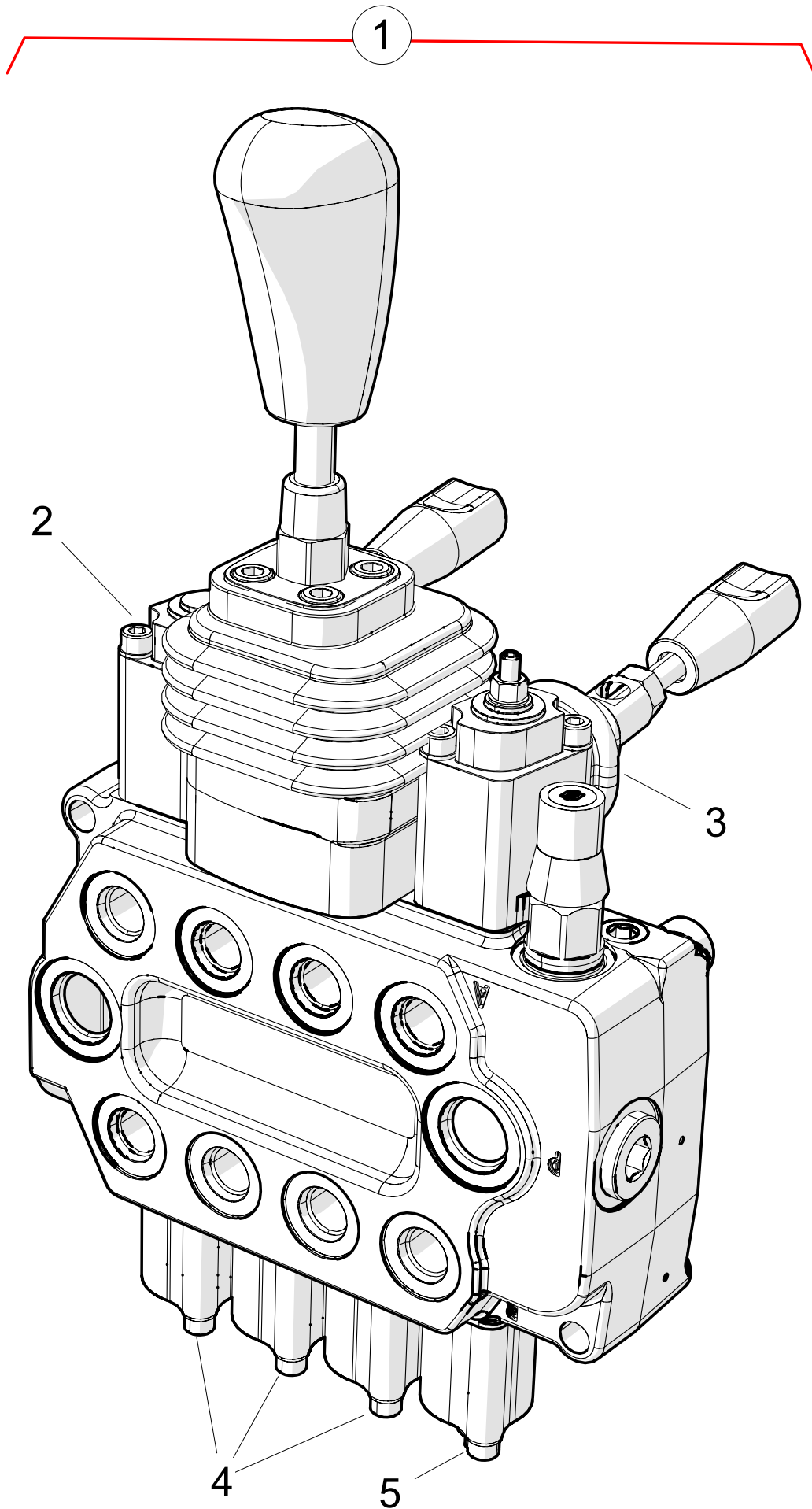
ITEM	PART NO.	DESCRIPTION
1	10-23515	HYDRAULIC WINCH ASSEMBLY, RED
2	10-17628	HYD WINCH FRAME ASSEMBLY, RED
3	10-17625	HYDRAULIC WINCH GEARBOX
4	10-28221	HYD MOTOR BYPAS VALVE
5	10-28222	RELIEF VALVE
6	10-17629	HYD WINCH DRUM, RED
7	10-17626	HYDRAULIC MOTOR
8	10-18097	1" RIM WASHER PLTD
9	0308013	3/8" NPT PLASTIC PLUG
10	10-17631	5/16" X 2-1/2" NC BOLT GR 2 PLTD
11	10-28744	7/16" X 1-1/2" NC BOLT GR 5 PLTD
12	10-18955	3/8" X 1" NC BOLT GR 5 PLTD
13	10-19598	7/16" NC NYLON LOCKNUT GR 2 PLTD
14	10-18496	WINCH KEEPER KIT
15	10-19604	3/8" LOCK WASHER PLTD



## VALVE (20773)

ITEM	PART NO.	DESCRIPTION
1	10-20773	3 SPOOL VALVE
2	10-20401	SALAMI LEVER BOX KIT
3	10-23665	LEVER BOX 90 DEG W/STROKE LIMITER
4	10-23725	LEVER BOX 90 DEG
5	10-23726	SPOOL SPRING RETURN KIT
6	10-23733	SPRING CENTER TO NEUTRAL KIT

# VALVE (22441)

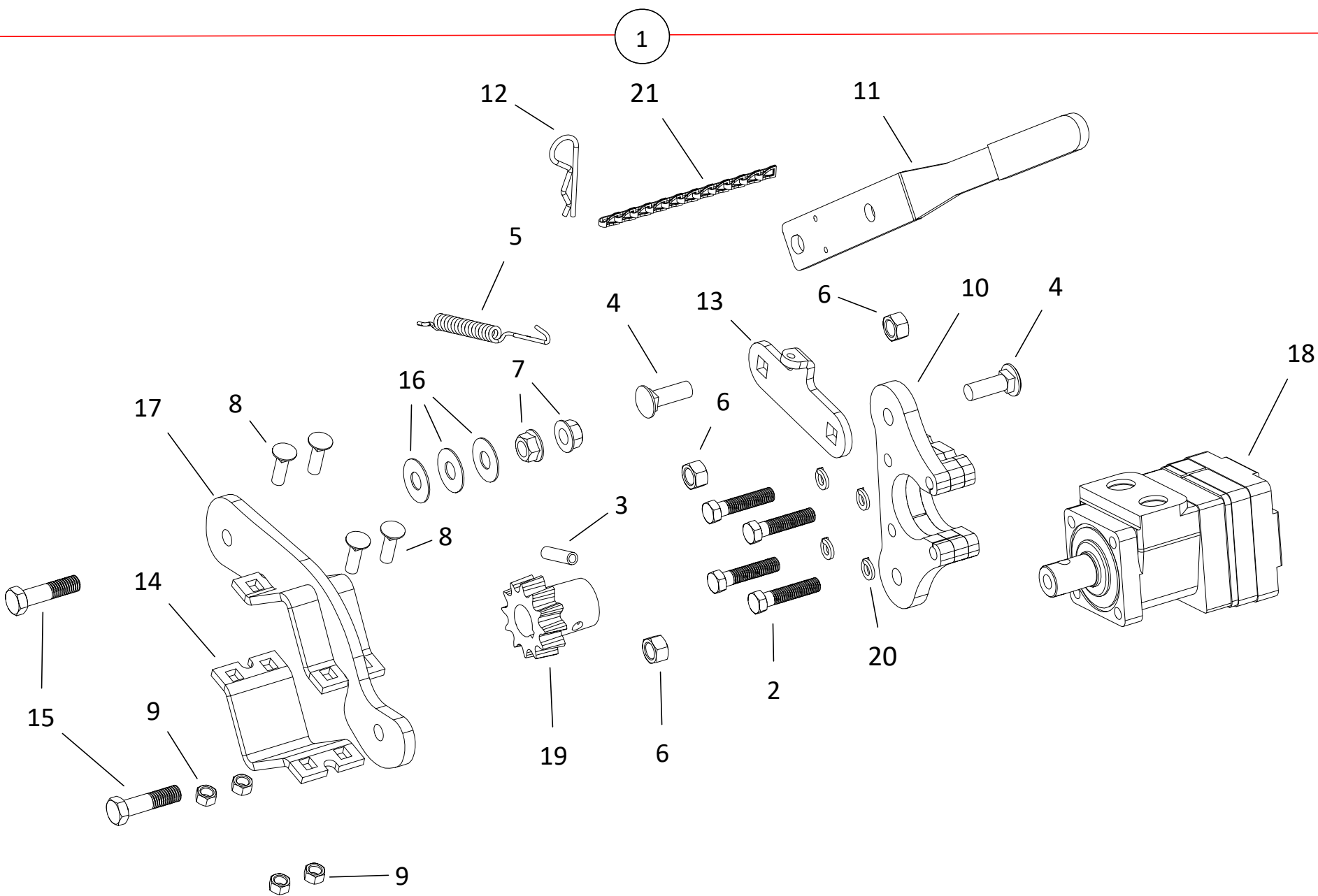




## VALVE (22441)

ITEM	PART NO.	DESCRIPTION
1	10-22441	VALVE-4SPL W/JOYSTICK W/4 HANDLES
2	10-20401	SALAMI LEVER BOX KIT
3	10-23711	SALAMI LEVER BOX KIT W/STROKE LIMIT
4	10-23726	SPOOL SPRING RETURN KIT
5	10-23733	SPRING CENTER TO NEUTRAL KIT

# SP KIT GEAR DRIVE COMPONENTS



## SP KIT GEAR DRIVE COMPONENTS

ITEM	PART NO.	DESCRIPTION
1	0200015EL	OC ASSY COMPLETE W/ MTR/PIN, LH
1	0200015ER	OC ASSY COMPLETE W/ MTR/PIN, RH
2	10-27979	3/8" X 2" NC BOLT GR 5 PLTD
3	10-28260	ROLL PIN, 3/8" X 1-1/2"
4	10-17807	1/2"X1-1/2"CARRIAGE BOLT GR 2 PLTD
5	10-28186	HANDLE SPRING
6	10-22267	1/2" 2-WAY LOCK NUT PLTD
7	10-28261	1/2" SERRATED FLANGE NUT GR 2 PLTD
8	9900980	3/8" X 1-1/4" CARRIAGE BOLT GR5 PLT
9	10-17402	3/8" NC NYLON LOCKNUT PLTD
10	10-29947	EYEGLASS, SP KIT
11	10-28188	HANDLE W/ GRIP
12	10-19463	210 HITCH PIN
13	10-28185	HANDLE LINK ARM
14	0200347	AXLE CLAMP,BOLT ON 2.5" SQR TUB
15	10-27816	1/2" X 2" NC BOLT GR 5 PLTD
16	10-17401	1/2" FLAT WASHER PLTD
17	0200348	SQUARE AXLE CLAMP 2.5",BOLT ON TOP
18	10-28183	ORBIT HYDRAULIC MOTOR
19	10-28181	PINION GEAR W/ ROLL PIN
20	10-19604	3/8" LOCK WASHER PLTD
21	10-22272	CHAIN, DRIVE LOCK



P.O. Box 39

Rosenort, Manitoba, R0G 1W0 Canada

Phone: (866) 467-7207 (Canada & USA) or (204) 746-2396

Fax: (866) 768-4852

website: [www.grainaugers.com](http://www.grainaugers.com)

email: [sales@grainaugers.com](mailto:sales@grainaugers.com)

© Ag Growth International Inc. 2020

Printed in Canada