



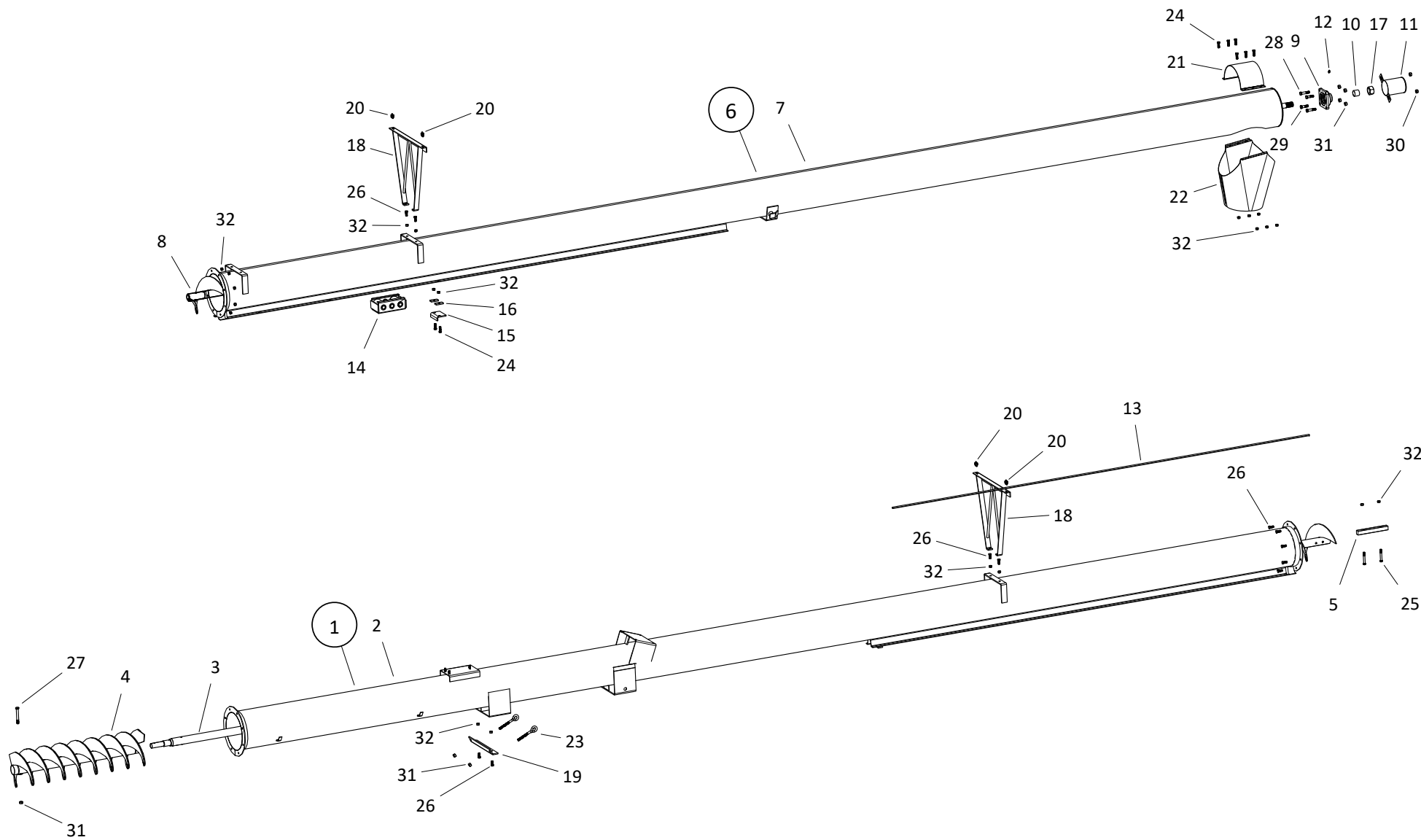
MKX10 SERIES AUGER

PARTS MANUAL

TABLE OF CONTENTS

DESCRIPTION	PAGE
TUBES & TRUSS COMPONENTS, MKX10-53 YELLOW	4
TUBES & TRUSS COMPONENTS, MKX10-63 YELLOW	6
TUBES & TRUSS COMPONENTS, MKX10-73 YELLOW	8
TUBES & TRUSS COMPONENTS, MKX10-83 YELLOW	10
FRAME COMPONENTS, MKX10-53	12
FRAME COMPONENTS, MKX10-63	14
FRAME COMPONENTS, MKX10-73	16
FRAME COMPONENTS, MKX10-83	18
HYDRAULIC LIFT COMPONENTS, MKX10-53	20
HYDRAULIC LIFT COMPONENTS, MKX10-63	21
HYDRAULIC LIFT COMPONENTS, MKX10-73	22
HYDRAULIC LIFT COMPONENTS, MKX10-83	23
LIFT ARM COMPONENTS, MKX10	24
BOOT, MKX10-53 63 73	26
BOOT, MKX10-83	28
SWING TUBE & LP TRANSITION ASSEMBLY, MKX10	30
SWING TUBE & REGULAR TRANSITION ASSEMBLY, MKX10	34
LOW PROFILE HOPPER, MKX10	36
STANDARD HOPPER, MKX10 (A297)	38
HYDRAULIC WINCH (A296)	40
HYDRAULIC VALVE (A336)	42
RIGHT ANGLE DRIVE (A293)	44
REVERSING KIT (A292)	46
ELECTRIC POWER SWING-10" (A269)	48
ELECTRIC LANDING GEAR POWER SWING - 10" (A363)	50
HYDRAULIC POWER SWING-10" (A270)	52
HYDRAULIC LANDING GEAR POWER SWING - 10" (A362)	54
WORK LIGHT KIT, 63 (A348) 73 (A350) 83 (A352)	58
UPPER GEARBOX (18849)	60
LOWER GEARBOX (21549)	62
CONSTANT VELOCITY PTO SHAFT (18484)	64
CONSTANT VELOCITY PTO SHAFT (27481)	65

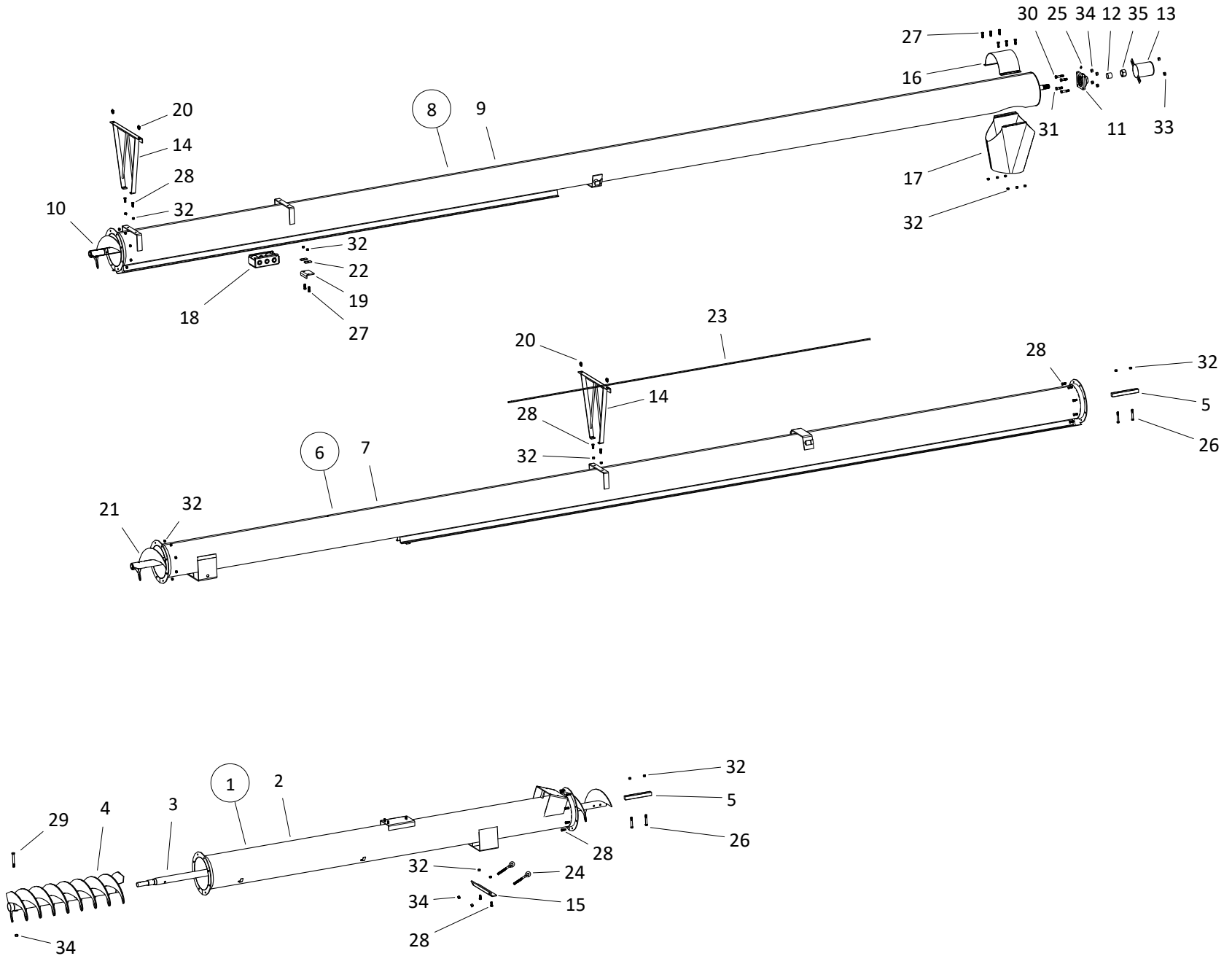
TUBES & TRUSS COMPONENTS, MKX10-53 YELLOW



TUBES & TRUSS COMPONENTS, MKX10-53 YELLOW

ITEM	PART NO.	DESCRIPTION
1	10-21699	MKX100-53 LOWER TUBE BUNDLE
2	10-21698	MKX100-53 LOWER TUBE ONLY
3	10-21691	LOWER FLIGHT
4	10-21708	MKX/X10 BOOT FLIGHT
5	10-21690	MKX/X10 FLIGHT CONNECTING SHAFT
6	10-21700	MKX100-53/63/73 UPPER TUBE BUNDLE
7	10-21724	MKX100-53/63/73 UPPER TUBE ONLY
8	10-21696	MKX100-53/63/73 UPPER FLIGHT
9	10-19567	BEARING, 1-1/4" PILLOW
10	10-21657	BUSHING, MKX/X10 THRUST ADJUSTER
11	10-27576	THRUST ADJUSTER COVER
12	10-19222	GREASE ZERK
13	10-28898	MKX1073 TRUSS CABLE
14	10-18922	ROLLER TRACKSHOE
15	10-18745	TRACK STOP
16	10-18917	TRACK STOP WASHER
17	10-24422	1-1/4" NYLON LOCKNUT UNF GR8 PLTD
18	10-19324	REGULAR TRUSS BRACKET
19	10-18032	TRUSS ATTACH ANGLE
20	10-19333	5/16" CABLE CLAMP
21	10-27235	10" HITCH RING
22	200568RD	MKX/X10 2-PIECE SPOUT WELD'T
23	10-19331	EYE BOLT/NUT 1/2" X 5"
24	10-18698	7/16" X 1-1/4" NC BOLT GR 8 PLTD
25	10-19546	7/16" X 3" NC BOLT GR 5 PLTD
26	10-19542	7/16" X 1" NC BOLT GR 5 PLTD
27	10-18947	1/2" X 4" NC BOLT GR 8 PLTD
28	10-27816	BOLT,1/2X2 GR5 PLTD 9900559
29	10-19974	1/2" X 1-3/4" NC BOLT GR 8 PLTD
30	10-28261	WHIZNUT, 1/2"
31	10-19599	1/2" NC NYLON LOCKNUT GR 2 PLTD
32	10-19598	7/16" NC NYLON LOCKNUT GR 2 PLTD

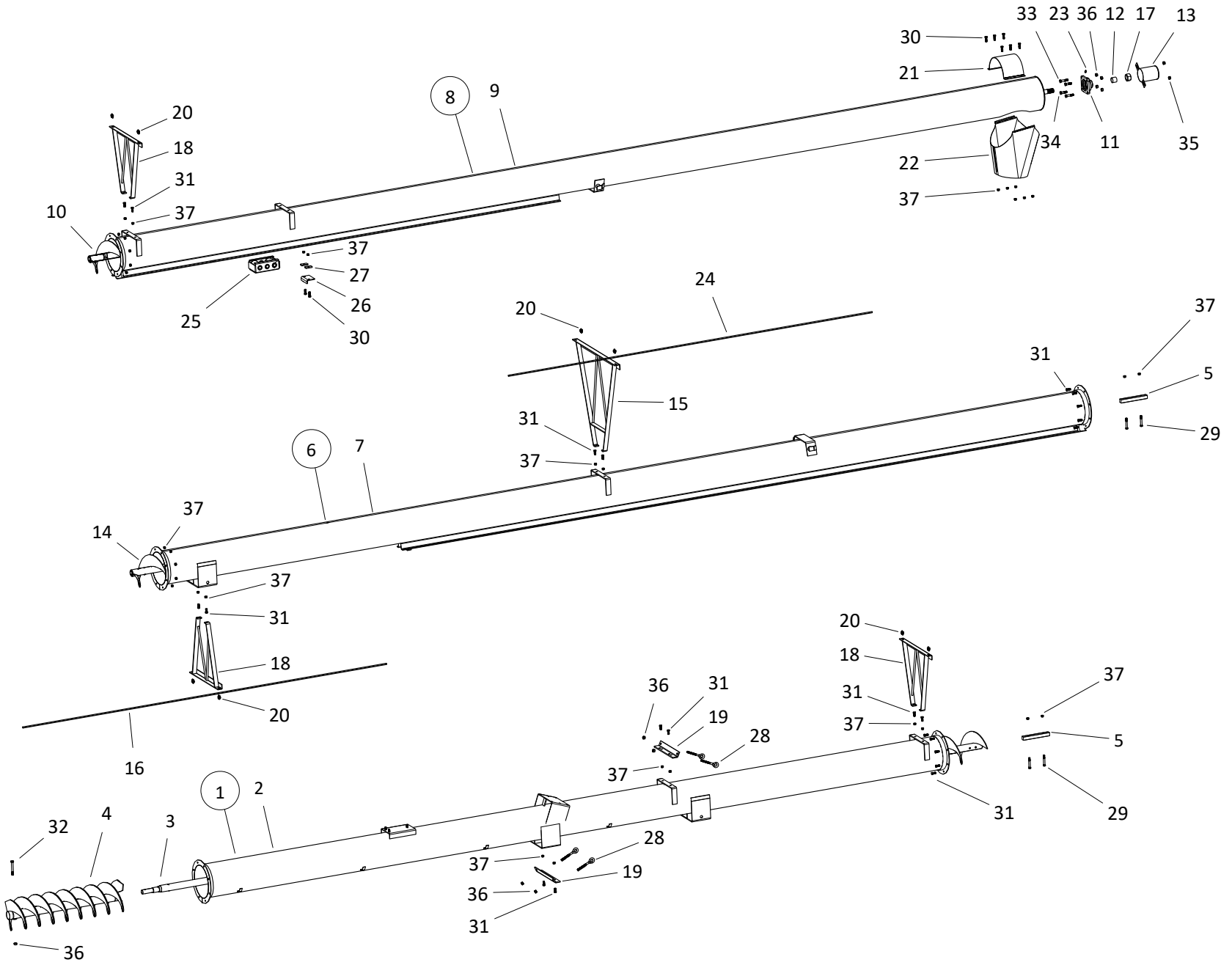
TUBES & TRUSS COMPONENTS, MKX10-63 YELLOW



TUBES & TRUSS COMPONENTS, MKX10-63 YELLOW

ITEM	PART NO.	DESCRIPTION
1	10-21702	MKX100-63 LOWER TUBE BUNDLE
2	10-21701	MKX100-63 LOWER TUBE ONLY
3	10-21692	MKX1063 LOWER FLIGHT
4	10-21708	MKX/X10 BOOT FLIGHT
5	10-21690	MKX/X10 FLIGHT CONNECTING SHAFT
6	10-21704	MKX100-63/73 MIDDLE TUBE BUNDLE
7	10-21703	MKX100-63/73 MIDDLE TUBE ONLY
8	10-21700	MKX100-53/63/73 UPPER TUBE BUNDLE
9	10-21724	MKX100-53/63/73 UPPER TUBE ONLY
10	10-21696	MKX100-53/63/73 UPPER FLIGHT
11	10-19567	BEARING, 1-1/4" PILLOW
12	10-21657	BUSHING, MKX/X10 THRUST ADJUSTER
13	10-27576	THRUST ADJUSTER COVER
14	10-19324	REGULAR TRUSS BRACKET
15	10-18032	TRUSS ATTACH ANGLE
16	10-27235	10" HITCH RING
17	200568RD	MKX/X10 2-PIECE SPOUT WELD'T
18	10-18922	ROLLER TRACKSHOE
19	10-18745	TRACK STOP
20	10-19333	5/16" CABLE CLAMP
21	10-21693	MKX1063/73 MIDDLE FLIGHT
22	10-18917	TRACK STOP WASHER
23	10-17380	MKX1063 TRUSS CABLE
24	10-19331	EYE BOLT/NUT 1/2" X 5"
25	10-19222	GREASE ZERK
26	10-19546	7/16" X 3" NC BOLT GR 5 PLTD
27	10-18698	7/16" X 1-1/4" NC BOLT GR 8 PLTD
28	10-19542	7/16" X 1" NC BOLT GR 5 PLTD
29	10-18947	1/2" X 4" NC BOLT GR 8 PLTD
30	10-27816	1/2" X 2" NC BOLT GR 5 PLTD
31	10-19974	1/2" X 1-3/4" NC BOLT GR 8 PLTD
32	10-19598	7/16" NC NYLON LOCKNUT GR 2 PLTD
33	10-28261	1/2" SERRATED FLANGE NUT GR 2 PLTD
34	10-19599	1/2" NC NYLON LOCKNUT GR 2 PLTD
35	10-24422	1-1/4" NYLON LOCKNUT UNF GR8 PLTD

TUBES & TRUSS COMPONENTS, MKX10-73 YELLOW



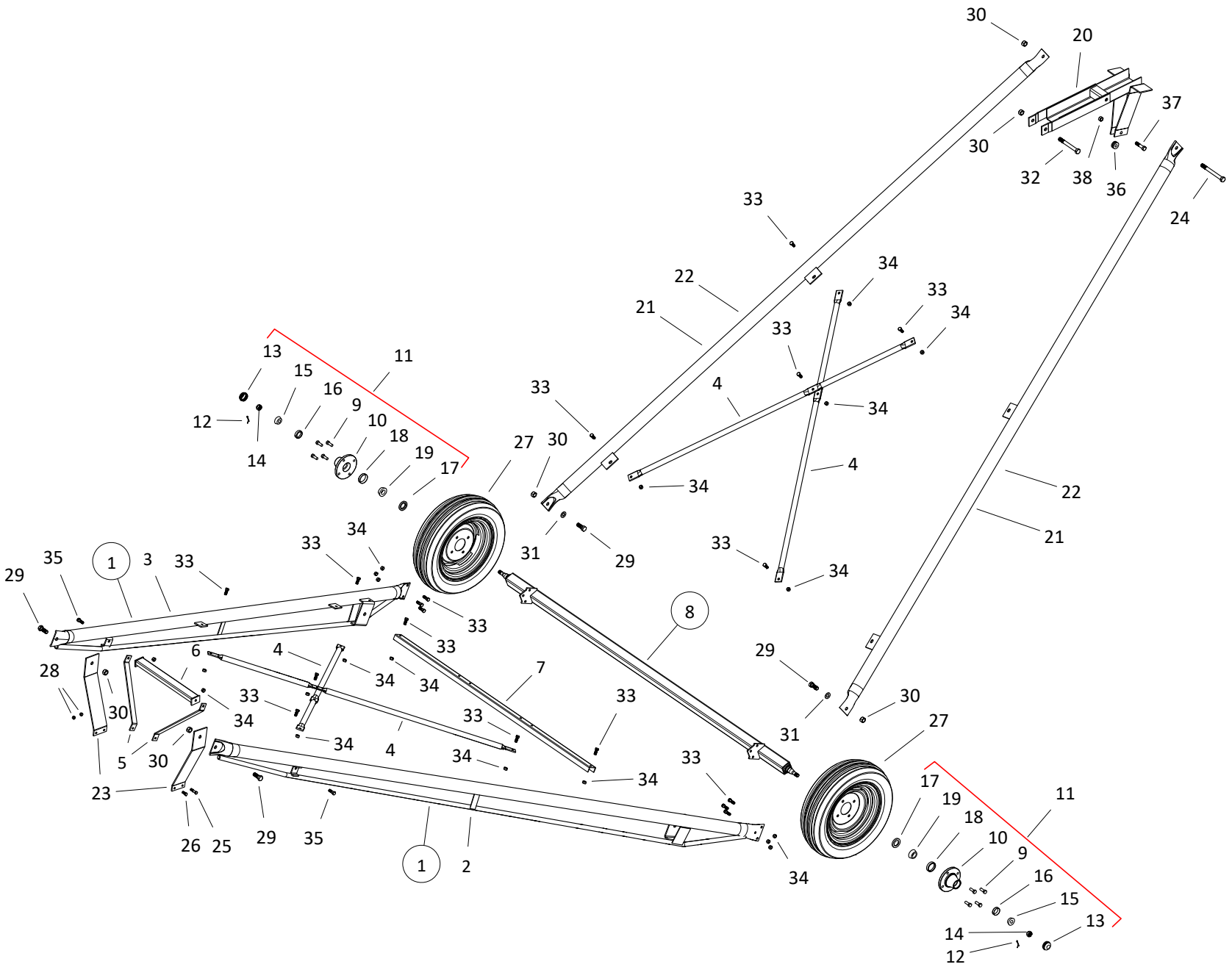
TUBES & TRUSS COMPONENTS, MKX10-73 YELLOW

ITEM	PART NO.	DESCRIPTION
1	10-21709	MKX100-73 LOWER TUBE BUNDLE
2	10-21725	MKX100-73 LOWER TUBE ONLY
3	10-21694	MKX1073/83 LOWER FLIGHT
4	10-21708	MKX/X10 BOOT FLIGHT
5	10-21690	MKX/X10 FLIGHT CONNECTING SHAFT
6	10-21704	MKX100-63/73 MIDDLE TUBE BUNDLE
7	10-21703	MKX100-63/73 MIDDLE TUBE ONLY
8	10-21700	MKX100-53/63/73 UPPER TUBE BUNDLE
9	10-21724	MKX100-53/63/73 UPPER TUBE ONLY
10	10-21696	MKX100-53/63/73 UPPER FLIGHT
11	10-19567	BEARING, 1-1/4" PILLOW
12	10-21657	BUSHING, MKX/X10 THRUST ADJUSTER
13	10-27576	THRUST ADJUSTER COVER
14	10-21693	MKX1063/73 MIDDLE FLIGHT
15	10-19325	TRUSS BRACKET
16	10-18042	MKX1073 TRUSS CABLE
17	10-24422	1-1/4" NYLON LOCKNUT UNF GR8 PLTD
18	10-19324	REGULAR TRUSS BRACKET
19	10-18032	TRUSS ATTACH ANGLE
20	10-19333	5/16" CABLE CLAMP
21	10-27235	10" HITCH RING
22	200568RD	MKX/X10 2-PIECE SPOUT WELD'T
23	10-19222	GREASE ZERK
24	4504071	SA1071 TRUSS CABLE
25	10-18922	ROLLER TRACKSHOE
26	10-18745	TRACK STOP
27	10-18917	TRACK STOP WASHER
28	10-19331	EYE BOLT/NUT 1/2" X 5"
29	10-19546	7/16" X 3" NC BOLT GR 5 PLTD
30	10-18698	7/16" X 1-1/4" NC BOLT GR 8 PLTD
31	10-19542	7/16" X 1" NC BOLT GR 5 PLTD
32	10-18947	1/2" X 4" NC BOLT GR 8 PLTD
33	10-27816	1/2" X 2" NC BOLT GR 5 PLTD
34	10-19974	1/2" X 1-3/4" NC BOLT GR 8 PLTD
35	10-28261	1/2" SERRATED FLANGE NUT GR 2 PLTD
36	10-19599	1/2" NC NYLON LOCKNUT GR 2 PLTD
37	10-19598	7/16" NC NYLON LOCKNUT GR 2 PLTD

TUBES & TRUSS COMPONENTS, MKX10-83 YELLOW

ITEM	PART NO.	DESCRIPTION
1	10-21710	MKX100-83 LOWER TUBE BUNDLE
2	10-21726	MKX100-83 LOWER TUBE ONLY
3	10-21694	MKX1073/83 LOWER FLIGHT
4	10-21708	MKX/X10 BOOT FLIGHT
5	10-21690	MKX/X10 FLIGHT CONNECTING SHAFT
6	10-21713	MKX100-83 LOWER MIDDLE TUBE BUNDLE
7	10-27497	LOWER MIDDLE TUBE ONLY
8	10-21712	MKX100-83 UPPER MIDDLE TUBE BUNDLE
9	10-21727	MKX100-83 UPPER MIDDLE TUBE ONLY
10	10-21706	MKX100-83 UPPER TUBE BUNDLE
11	10-21705	MKX100-83 UPPER TUBE ONLY
12	10-21695	MKX1083 MIDDLE FLIGHT
13	10-21697	MKX100-83 UPPER FLIGHT
14	10-19324	REGULAR TRUSS BRACKET
15	10-19325	TRUSS BRACKET
16	10-18922	ROLLER TRACKSHOE
17	10-18917	TRACK STOP WASHER
18	10-19567	BEARING, 1-1/4" PILLOW
19	10-18032	TRUSS ATTACH ANGLE
20	10-24422	1-1/4" NYLON LOCKNUT UNF GR8 PLTD
21	10-21657	BUSHING, MKX/X10 THRUST ADJUSTER
22	200568RD	MKX/X10 2-PIECE SPOUT WELD'T
23	10-27235	10" HITCH RING
24	10-27576	THRUST ADJUSTER COVER
25	10-27487	ANGLE RING SUPPORT
26	10-19333	5/16" CABLE CLAMP (YELLOW ZINC)
27	10-19331	EYE BOLT/NUT 1/2" X 5"
28	10-27502	MK81 UNDERTRUSS CABLE
29	10-21808	MKX/X1083 TRUSS CABLE
30	10-18745	TRACK STOP
31	10-19222	GREASE ZERK
32	10-18990	3/8" CABLE CLAMP
33	10-19546	7/16" X 3" NC BOLT GR 5 PLTD
34	10-18698	7/16" X 1-1/4" NC BOLT GR 8 PLTD
35	10-19542	7/16" X 1" NC BOLT GR 5 PLTD
36	10-27816	1/2" X 2" NC BOLT GR 5 PLTD
37	10-19974	1/2" X 1-3/4" NC BOLT GR 8 PLTD
38	10-18947	1/2" X 4" NC BOLT GR 8 PLTD
39	10-19598	7/16" NC NYLON LOCKNUT GR 2 PLTD
40	10-28261	1/2" SERRATED FLANGE NUT GR 2 PLTD
41	10-19599	1/2" NC NYLON LOCKNUT GR 2 PLTD

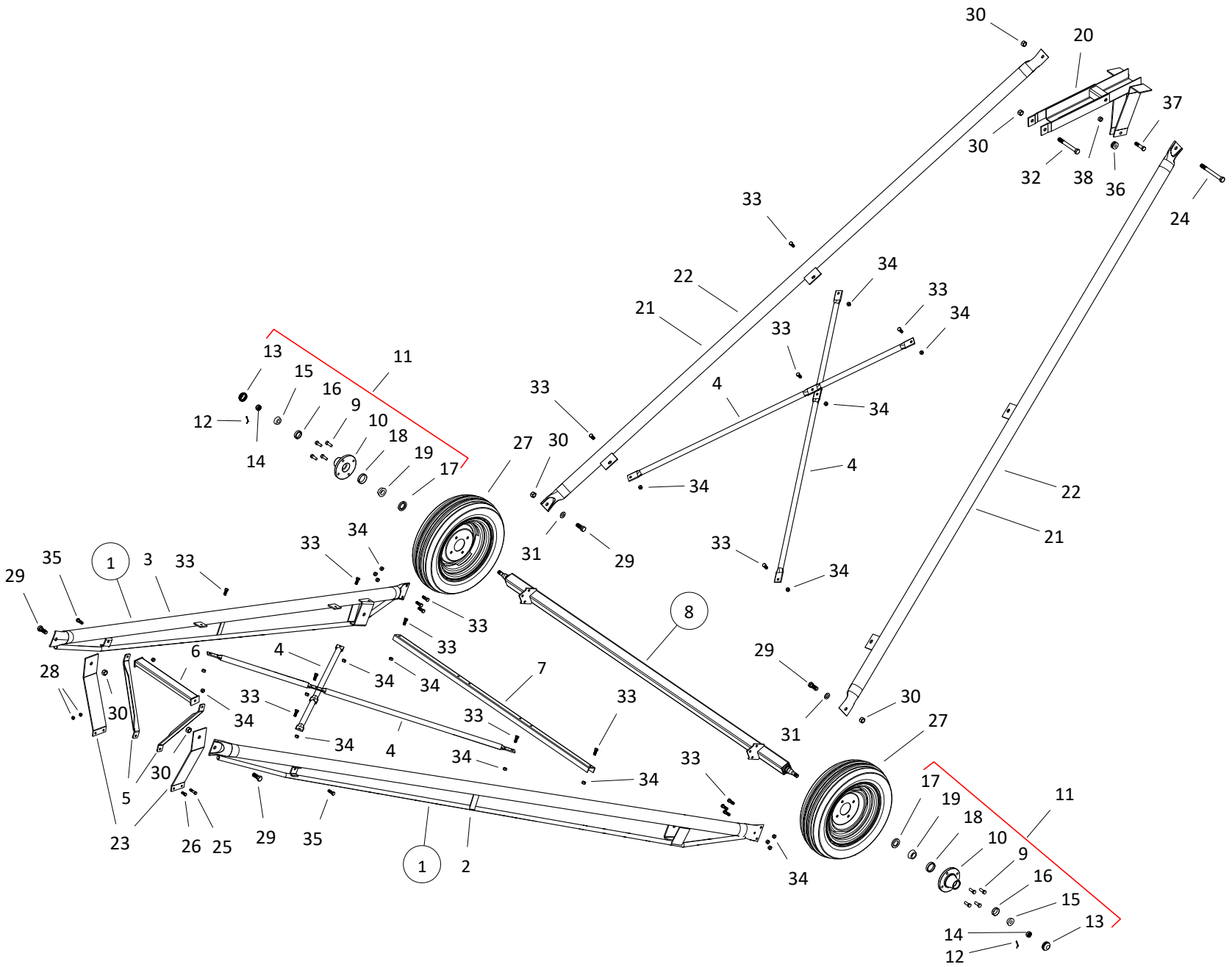
FRAME COMPONENTS, MKX10-53



FRAME COMPONENTS, MKX10-53

ITEM	PART NO.	DESCRIPTION
1	200902	MKX1053/WR1051 LWR FRAME BDL (2020)
2	10-19790	LOWER FRAME TUBE, RH
3	10-19789	LOWER FRAME TUBE, LH
4	10-19796	FRAME BRACE
5	10-18908	STABILIZER BRACE
6	10-18914	SHORT CROSSMEMBER
7	10-19376	CROSSMEMBER
8	10-18090	AXLE ASSEMBLY
9	10-20565	1/2" X 1" WHEEL BOLT (BLACK)
10	10-19267	HUB
11	10-19467	HUB ASSEMBLY
12	10-19271	1/8" X 1-1/2" COTTER PIN
13	10-19272	DUST CAP
14	10-19270	3/4" NF SLOTTED NUT PLAIN
15	10-19269	BEARING CONE
16	10-19268	CUP
17	10-19264	HUB SEAL
18	10-19266	BEARING CUP TIMKEN # LM 67010
19	10-19265	BEARING CONE TIMKEN # LM 67048
20	10-18930	LIFT ASSIST
21	10-21869	MKX1053 UPPER FRAME BUNDLE
22	10-19792	FRAME TUBE, MKX53
23	10-18909	STABILIZER BRACKET
24	10-18094	3/4" X 7-1/2" NC BOLT GR 8 PLTD
25	10-19981	7/16" X 1-3/4" NC BOLT GR 8 PLTD
26	10-19542	7/16" X 1" NC BOLT GR 5 PLTD
27	10-21330	15 X 4.5 X 4 BOLT WHEEL ASSEMBLY
28	10-19598	7/16" NC NYLON LOCKNUT GR 2 PLTD
29	10-19592	3/4" X 2" NC BOLT GR 8 PLTD
30	10-19601	3/4" NC NYLON LOCKNUT PLTD
31	10-19979	3/4" FLAT WASHER PLTD
32	10-19593	3/4" X 6-1/2" NC BOLT GR 8 PLTD
33	10-19588	1/2" X 1-1/4" NC BOLT GR 5 PLTD
34	10-19599	1/2" NC NYLON LOCKNUT GR 2 PLTD
35	10-19589	1/2" X 1-1/2" NC BOLT GR 8 PLTD
36	10-23079	CABLE THIMBLE PULLEY
37	10-29251	BOLT, 5/8" x 2-3/4" GR8 PLTD
38	10-19600	LOCKNUT, 5/8"

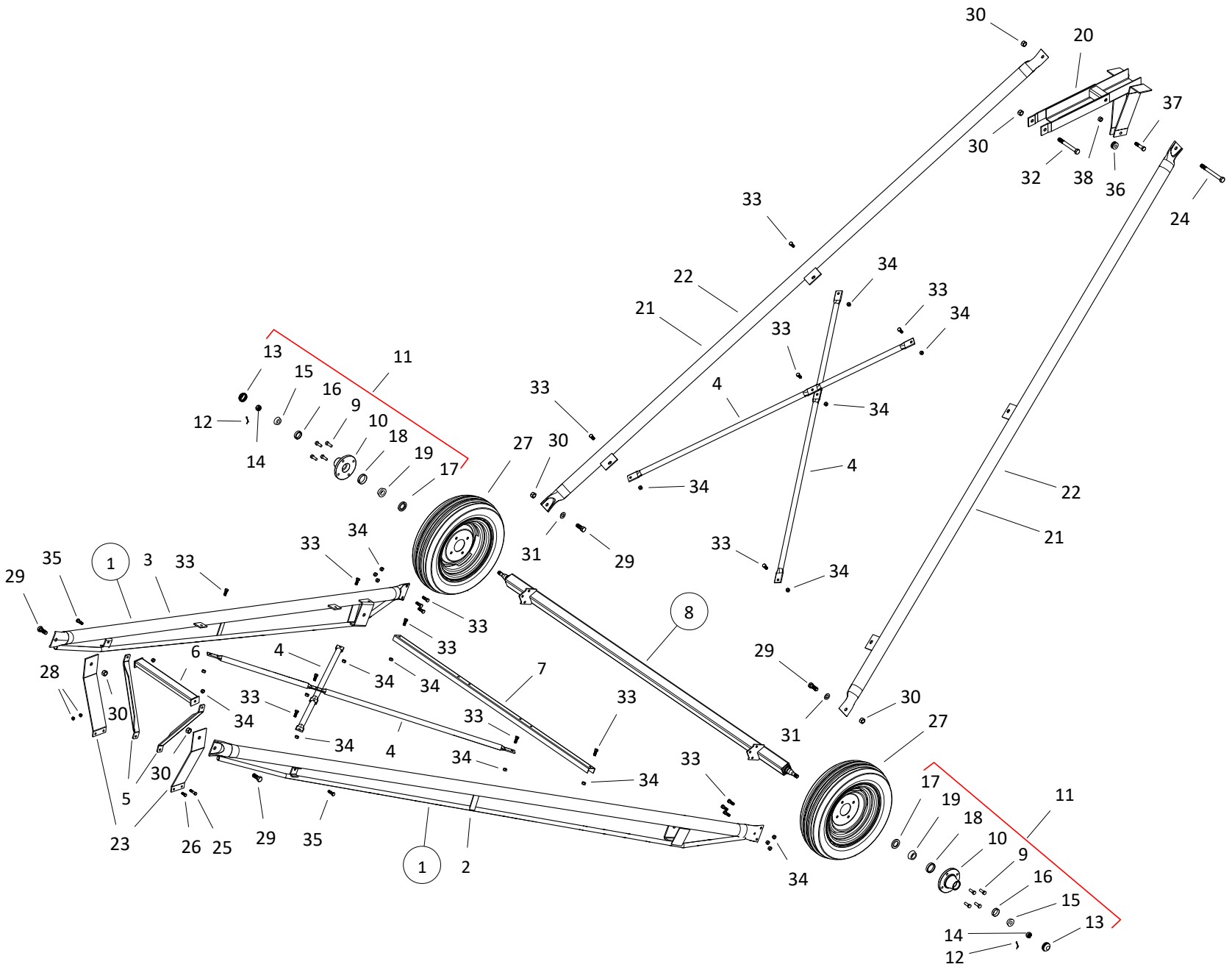
FRAME COMPONENTS, MKX10-63



FRAME COMPONENTS, MKX10-63

ITEM	PART NO.	DESCRIPTION
1	200903	MKX1063/WR56/61 LWR FRAME BDL 2020
2	10-19359	LOWER FRAME TUBE, RH
3	10-19358	LOWER FRAME TUBE, LH
4	10-19796	FRAME BRACE
5	10-18916	STABILIZER BRACE
6	10-18914	SHORT CROSSMEMBER
7	10-19378	CROSSMEMBER
8	10-19342	AXLE ASSEMBLY
9	10-20565	1/2" X 1" WHEEL BOLT (BLACK)
10	10-19267	HUB
11	10-19467	HUB ASSEMBLY
12	10-19271	1/8" X 1-1/2" COTTER PIN
13	10-19272	DUST CAP
14	10-19270	3/4" NF SLOTTED NUT PLAIN
15	10-19269	BEARING CONE
16	10-19268	CUP
17	10-19264	HUB SEAL
18	10-19266	BEARING CUP TIMKEN # LM 67010
19	10-19265	BEARING CONE TIMKEN # LM 67048
20	10-18930	LIFT ASSIST
21	10-19534	MKX63 UPPER FRAME BUNDLE
22	10-19524	MKX63 UPPER LIFT ARM
23	10-18909	STABILIZER BRACKET
24	10-18094	3/4" X 7-1/2" NC BOLT GR 8 PLTD
25	10-19981	7/16" X 1-3/4" NC BOLT GR 8 PLTD
26	10-19542	7/16" X 1" NC BOLT GR 5 PLTD
27	10-21330	15 X 4.5 X 4 BOLT WHEEL ASSEMBLY
28	10-19598	7/16" NC NYLON LOCKNUT GR 2 PLTD
29	10-19592	3/4" X 2" NC BOLT GR 8 PLTD
30	10-19601	3/4" NC NYLON LOCKNUT PLTD
31	10-19979	3/4" FLAT WASHER PLTD
32	10-19593	3/4" X 6-1/2" NC BOLT GR 8 PLTD
33	10-19588	1/2" X 1-1/4" NC BOLT GR 5 PLTD
34	10-19599	1/2" NC NYLON LOCKNUT GR 2 PLTD
35	10-19589	1/2" X 1-1/2" NC BOLT GR 8 PLTD
36	10-23079	CABLE THIMBLE PULLEY
37	10-29251	BOLT, 5/8" x 2-3/4" GR8 PLTD
38	10-19600	LOCKNUT, 5/8"

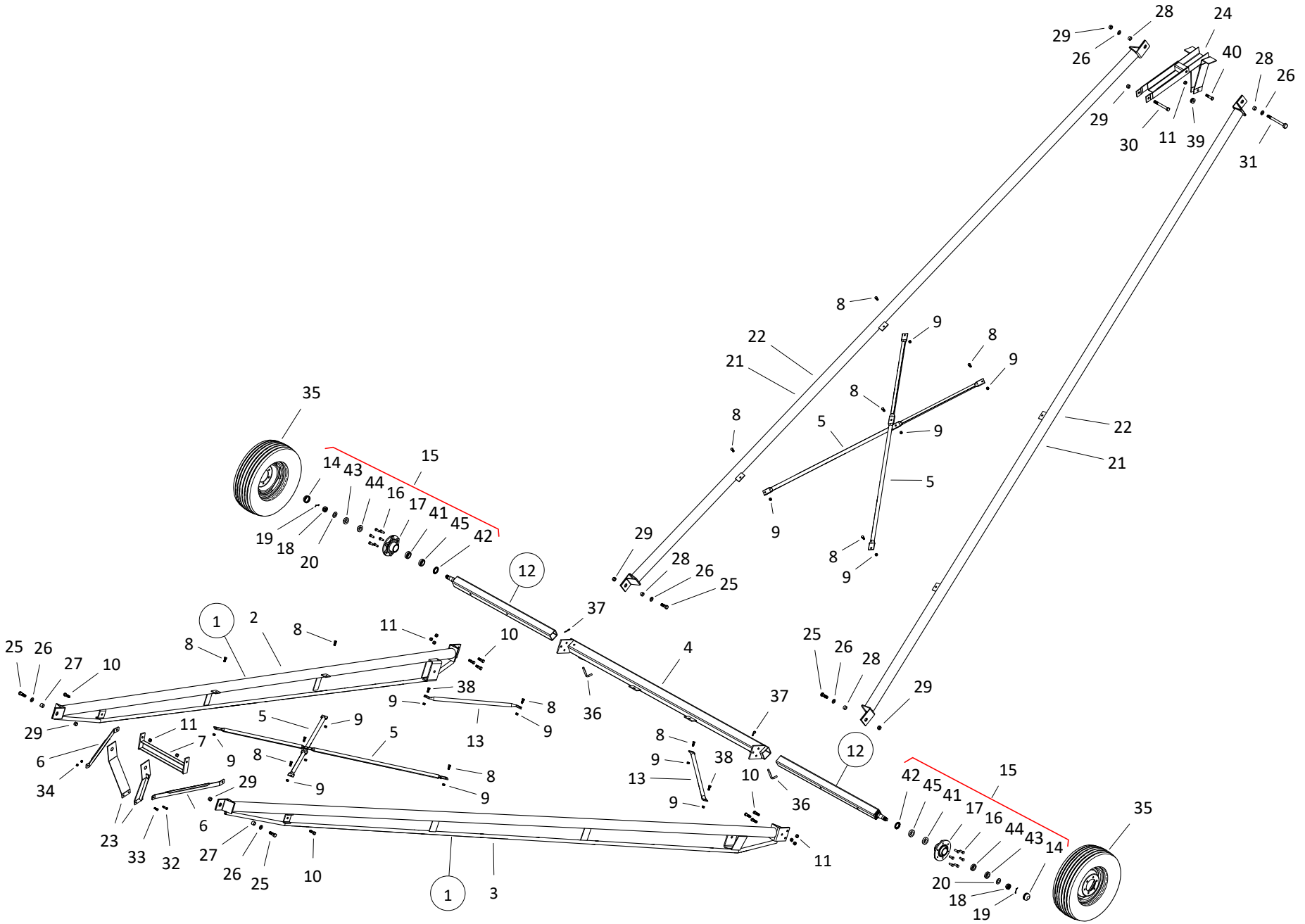
FRAME COMPONENTS, MKX10-73



FRAME COMPONENTS, MKX10-73

ITEM	PART NO.	DESCRIPTION
1	200904	MKX1073/WR71 LWR FRAME BDL (2020)
2	10-19361	MKX73 LOWER FRAME TUBE, RH
3	10-19360	MKX73 LOWER FRAME TUBE, LH
4	10-19796	FRAME BRACE
5	10-18915	STABILIZER BRACE
6	10-18914	SHORT CROSSMEMBER
7	10-19379	CROSSMEMBER
8	10-19343	AXLE ASSEMBLY
9	10-20565	1/2" X 1" WHEEL BOLT (BLACK)
10	10-19267	HUB
11	10-19467	HUB ASSEMBLY
12	10-19271	1/8" X 1-1/2" COTTER PIN
13	10-19272	DUST CAP
14	10-19270	3/4" NF SLOTTED NUT PLAIN
15	10-19269	BEARING CONE
16	10-19268	CUP
17	10-19264	HUB SEAL
18	10-19266	BEARING CUP TIMKEN # LM 67010
19	10-19265	BEARING CONE TIMKEN # LM 67048
20	10-18930	LIFT ASSIST
21	10-19535	MKX73 UPPER FRAME BUNDLE
22	10-19525	MKX73 UPPER LIFT ARM
23	10-18909	STABILIZER BRACKET
24	10-18094	3/4" X 7-1/2" NC BOLT GR 8 PLTD
25	10-19981	7/16" X 1-3/4" NC BOLT GR 8 PLTD
26	10-19542	7/16" X 1" NC BOLT GR 5 PLTD
27	10-21330	15 X 4.5 X 4 BOLT WHEEL ASSEMBLY
28	10-19598	7/16" NC NYLON LOCKNUT GR 2 PLTD
29	10-19592	3/4" X 2" NC BOLT GR 8 PLTD
30	10-19601	3/4" NC NYLON LOCKNUT PLTD
31	10-19979	3/4" FLAT WASHER PLTD
32	10-19593	3/4" X 6-1/2" NC BOLT GR 8 PLTD
33	10-19588	1/2" X 1-1/4" NC BOLT GR 5 PLTD
34	10-19599	1/2" NC NYLON LOCKNUT GR 2 PLTD
35	10-19589	1/2" X 1-1/2" NC BOLT GR 8 PLTD
36	10-23079	CABLE THIMBLE PULLEY
37	10-29251	BOLT, 5/8" x 2-3/4" GR8 PLTD
38	10-19600	LOCKNUT, 5/8"

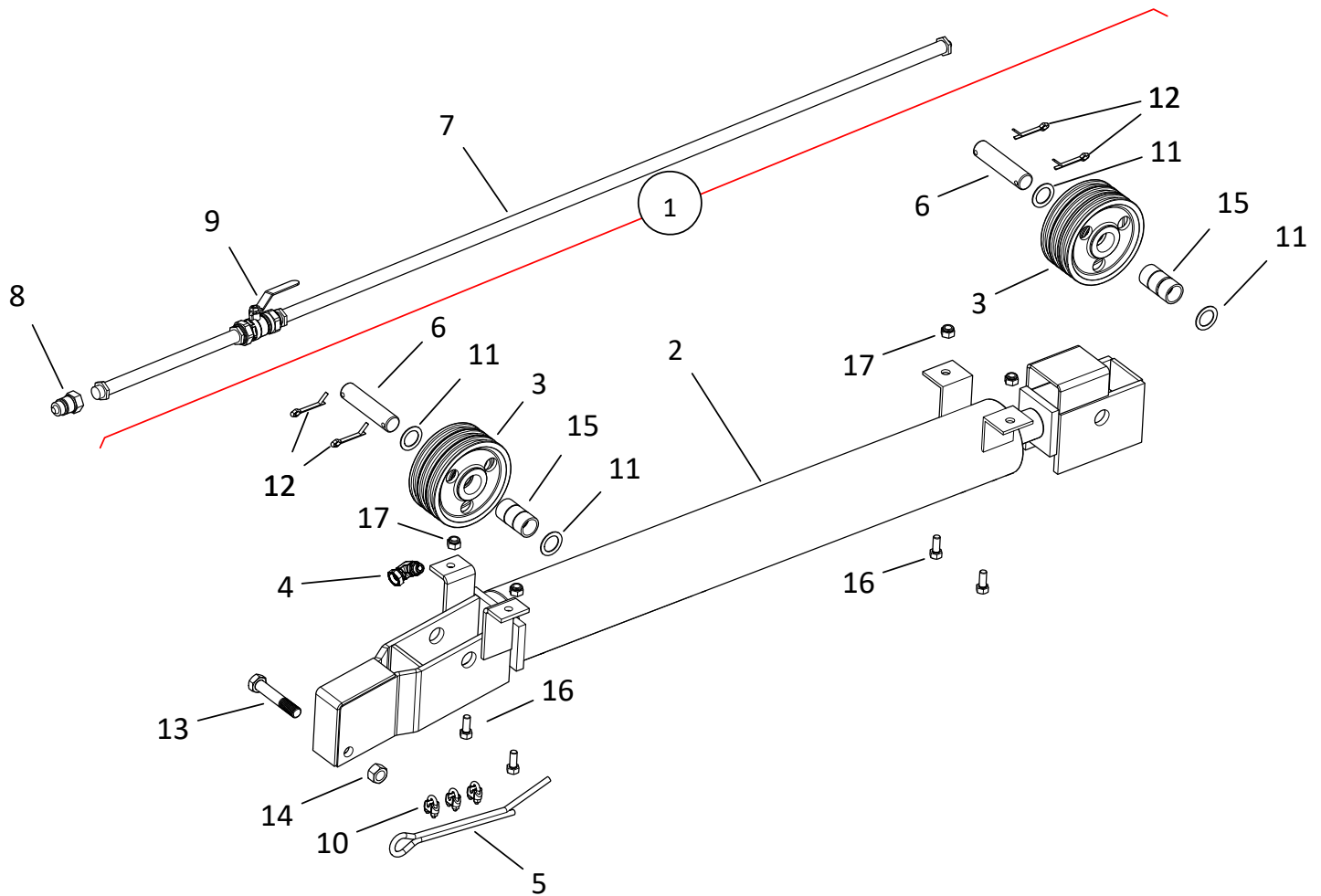
FRAME COMPONENTS, MKX10-83



FRAME COMPONENTS, MKX10-83

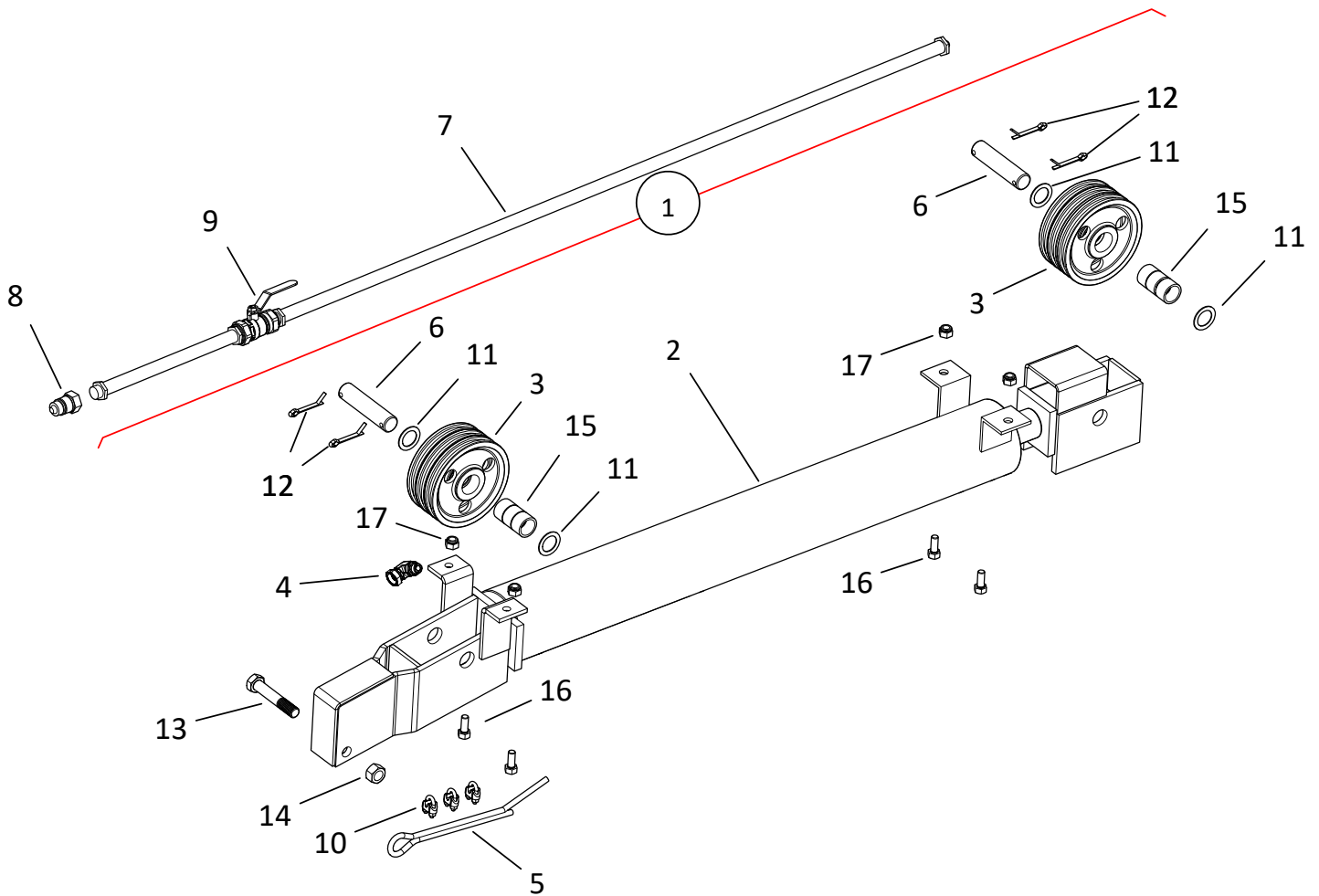
ITEM	PART NO.	DESCRIPTION
1	10-27514	MKX1083 LOWER FRAME BUNDLE
2	10-27492	MKX1083 LOWER REACH ARM, LH
3	10-27491	MKX1083 LOWER REACH ARM, RH
4	10-27489	AXLE ASSEMBLY
5	10-27500	FRAME CROSS BRACE
6	10-27504	FRAME STABILIZER BRACE
7	10-27493	CROSSMEMBER, SHORT
8	10-19588	1/2" X 1-1/4" NC BOLT GR 5 PLTD
9	10-19599	1/2" NC NYLON LOCKNUT GR 2 PLTD
10	10-19991	5/8" X 2" NC BOLT GR 8 PLTD
11	10-19600	5/8" NC NYLON LOCKNUT PLTD
12	10-27490	AXLE EXTENSION
13	10-17463	CORNER BRACE
14	10-17012	DUST CAP
15	10-17013	HUB ASSEMBLY
16	10-17561	1/2" X 1-1/4" WHEEL BOLT
17	10-17009	HUB, 6-BOLT
18	10-17011	NUT, 1" SLOTTED
19	10-19271	1/8" X 1-1/2" COTTER PIN
20	10-17010	WASHER, HUB
21	10-27515	MKX1083 UPPER FRAME BUNDLE
22	10-27499	UPPER REACH ARM
23	10-27494	FRAME STABILIZER
24	10-18930	LIFT ASSIST
25	10-29254	3/4" X 2-1/4" NC BOLT GR 8 PLTD
26	10-19979	3/4" FLAT WASHER PLTD
27	10-27507	BUSHING, LOWER REACH ARM
28	10-27508	BUSHING, UPPER ARM
29	10-19601	3/4" NC NYLON LOCKNUT PLTD
30	10-19593	3/4" X 6-1/2" NC BOLT GR 8 PLTD
31	10-27482	3/4" X 8-1/2" NC BOLT GR 8 PLTD
32	10-19981	7/16" X 1-3/4" NC BOLT GR 8 PLTD
33	10-18698	7/16" X 1-1/4" NC BOLT GR 8 PLTD
34	10-19598	7/16" NC NYLON LOCKNUT GR 2 PLTD
35	10-29015	16 X 6 X 6 BOLT WHEEL ASSEMBLY
36	10-19648	SADDLE PIN
37	10-19463	HAIRPIN
38	10-19589	1/2" X 1-1/2" BOLT GR8 PLTD
39	10-23079	CABLE THIMBLE PULLEY
40	10-29251	BOLT, 5/8" x 2-3/4" GR8 PLTD
41	10-17007	LG HUB BEARING
42	10-17006	HUB SEAL
43	10-19265	SMALL HUB BEARING
44	10-19266	CUP
45	10-17008	LARGE HUB CUP

HYDRAULIC LIFT COMPONENTS, MKX10-53



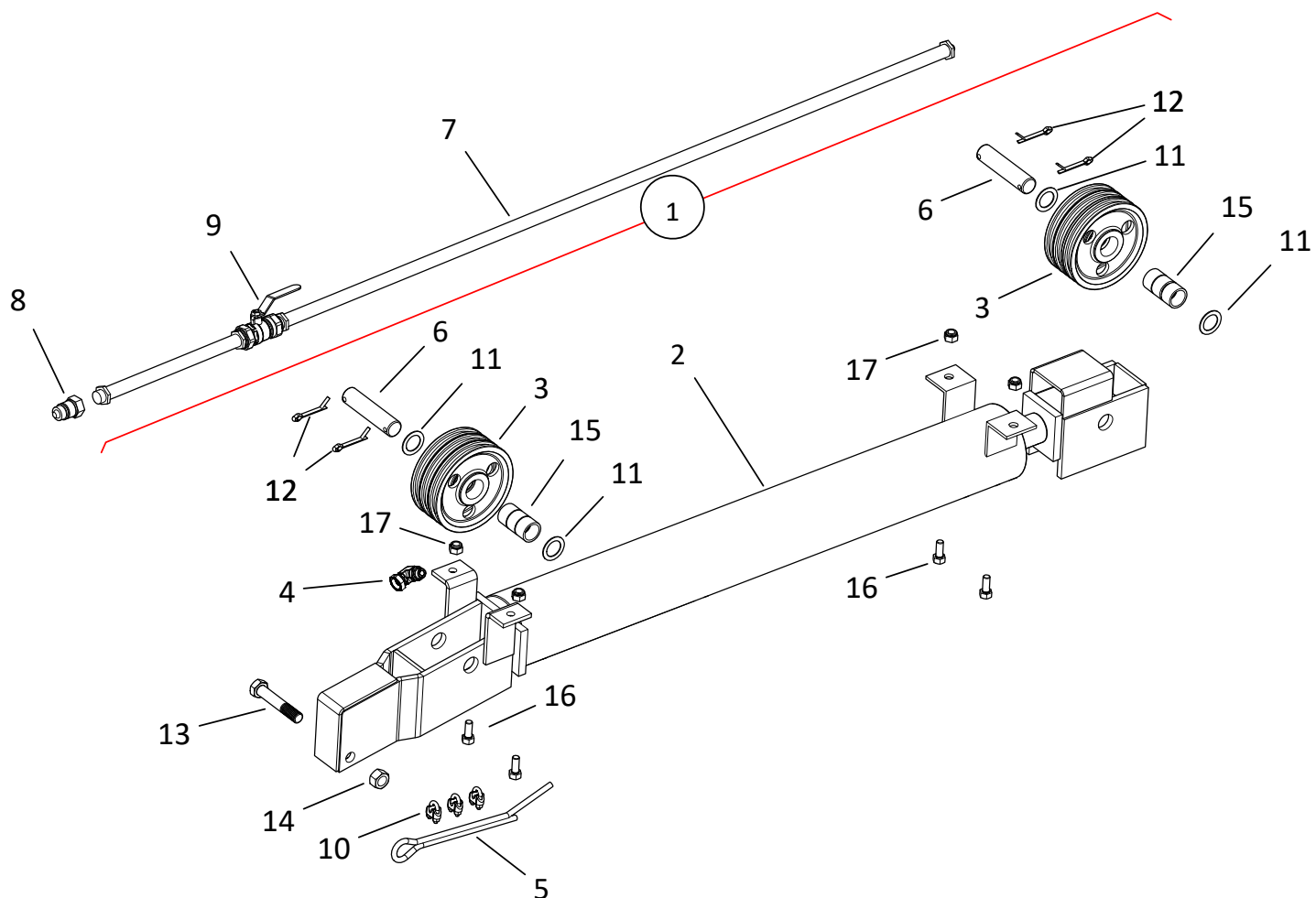
ITEM	PART NO.	DESCRIPTION
1	10-18033	HYDRAULIC CYLINDER ASSEMBLY
2	10-19915	HYDRAULIC CYLINDER ONLY
3	10-19918	PULLEY, 5.5, CYL
4	10-22191	STEEL ELBOW 6MORB X 3/8 F NPSM
5	10-18042	LIFT CABLE
6	10-18089	HYD CYLINDER PIN
7	10-21608	CYLINDER HOSE ASSEMBLY
8	9900047	PIONEER COUPLER
9	10-18084	BALL VALVE
10	10-19333	5/16" CABLE CLAMP
11	10-18097	1" RIM WASHER PLTD
12	10-18098	COTTER PIN 1/4 X 1-3/4 C.ZINC PLTD
13	10-18093	5/8" X 3-1/2" NC BOLT GR 5 PLTD
14	10-19600	5/8" NC NYLON LOCKNUT PLTD
15	10-18088	P245-6POROUS BRONZE BUSHING
16	10-19542	7/16" X 1" NC BOLT GR 5 PLTD
17	10-19598	7/16" NC NYLON LOCKNUT GR 2 PLTD

HYDRAULIC LIFT COMPONENTS, MKX10-63



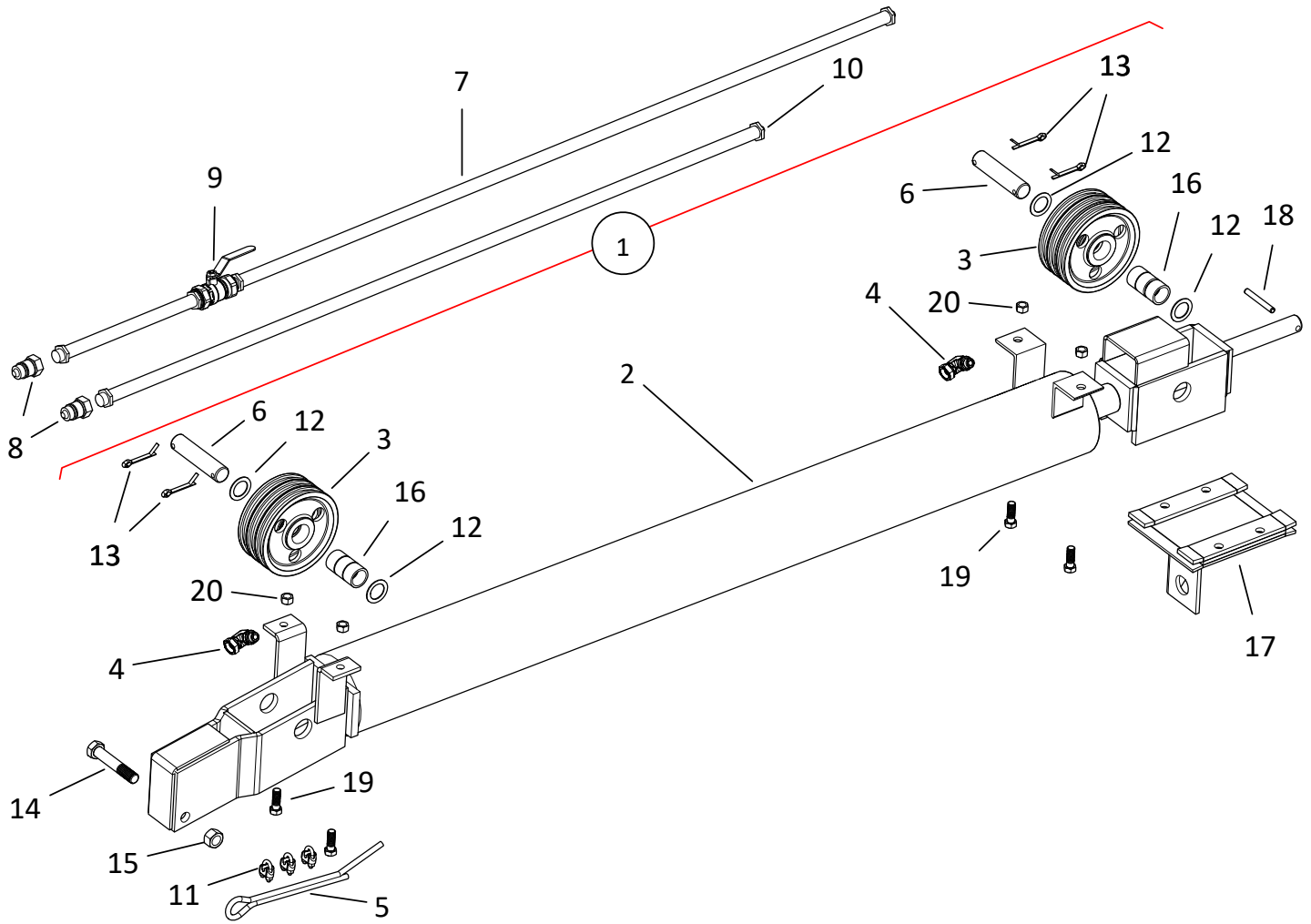
ITEM	PART NO.	DESCRIPTION
1	10-18034	HYDRAULIC CYLINDER ASSEMBLY
2	10-19916	HYDRAULIC CYLINDER ONLY
3	10-19918	PULLEY, 5.5, CYL
4	10-22191	STEEL ELBOW 6MORB X 3/8 F NPSM
5	10-18043	LIFT CABLE
6	10-18089	HYD CYLINDER PIN
7	10-20318	CYLINDER HOSE ASSEMBLY
8	9900047	PIONEER COUPLER
9	10-18084	BALL VALVE
10	10-19333	5/16" CABLE CLAMP
11	10-18097	1" RIM WASHER PLTD
12	10-18098	COTTER PIN 1/4 X 1-3/4 C.ZINC PLTD
13	10-18093	5/8" X 3-1/2" NC BOLT GR 5 PLTD
14	10-19600	5/8" NC NYLON LOCKNUT PLTD
15	10-18088	P245-6POROUS BRONZE BUSHING
16	10-19542	7/16" X 1" NC BOLT GR 5 PLTD
17	10-19598	7/16" NC NYLON LOCKNUT GR 2 PLTD

HYDRAULIC LIFT COMPONENTS, MKX10-73



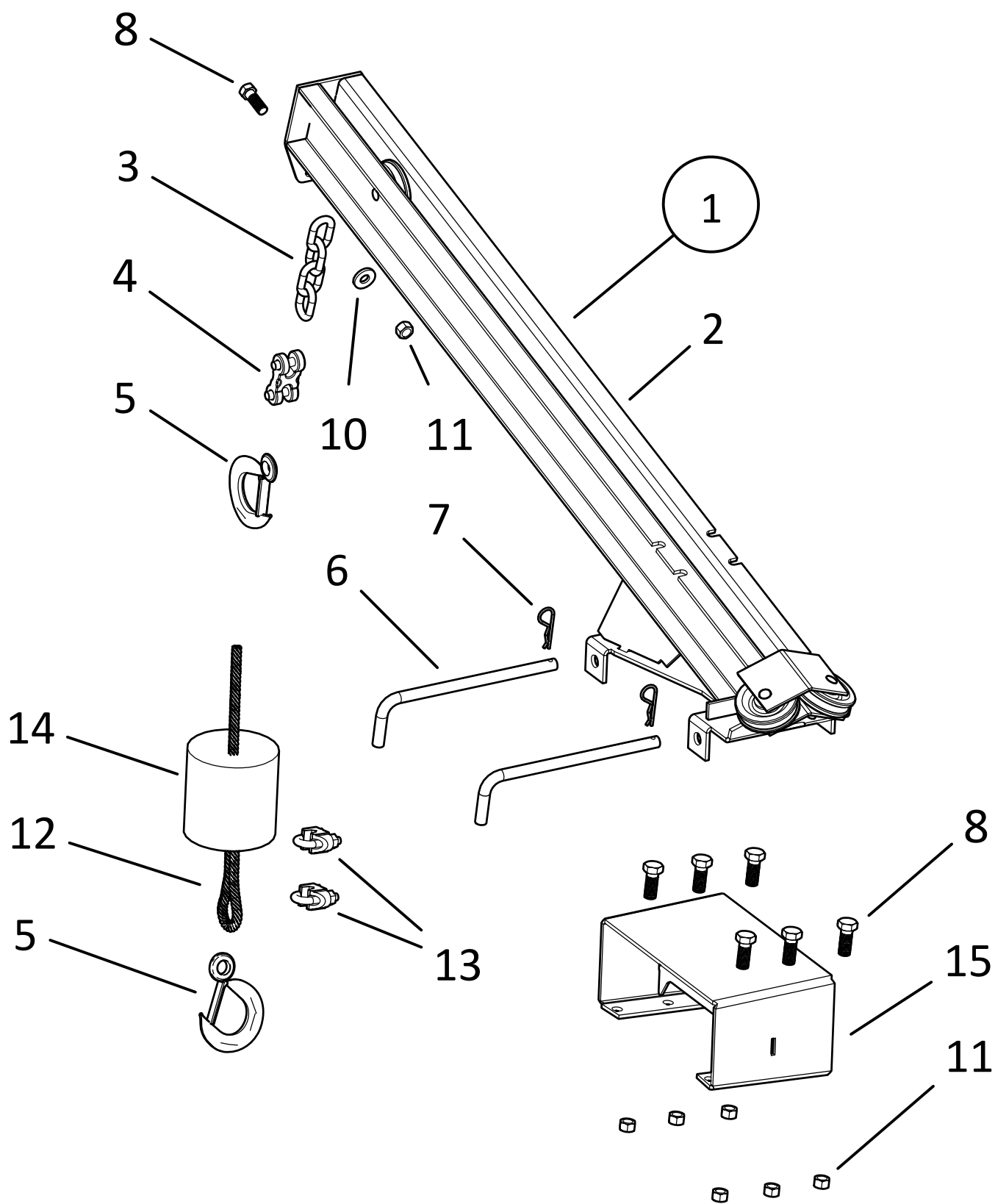
ITEM	PART NO.	DESCRIPTION
1	10-18035	HYDRAULIC CYLINDER ASSEMBLY
2	10-19917	HYDRAULIC CYLINDER ONLY
3	10-19918	PULLEY, 5.5, CYL
4	10-22191	STEEL ELBOW 6MORB X 3/8 F NPSM
5	10-18044	LIFT CABLE
6	10-18089	HYD CYLINDER PIN
7	10-20320	CYLINDER HOSE ASSEMBLY
8	9900047	PIONEER COUPLER
9	10-18084	BALL VALVE
10	10-19333	5/16" CABLE CLAMP
11	10-18097	1" RIM WASHER PLTD
12	10-18098	COTTER PIN 1/4 X 1-3/4 C.ZINC PLTD
13	10-18093	5/8" X 3-1/2" NC BOLT GR 5 PLTD
14	10-19600	5/8" NC NYLON LOCKNUT PLTD
15	10-18088	P245-6POROUS BRONZE BUSHING
16	10-19542	7/16" X 1" NC BOLT GR 5 PLTD
17	10-19598	7/16" NC NYLON LOCKNUT GR 2 PLTD

HYDRAULIC LIFT COMPONENTS, MKX10-83



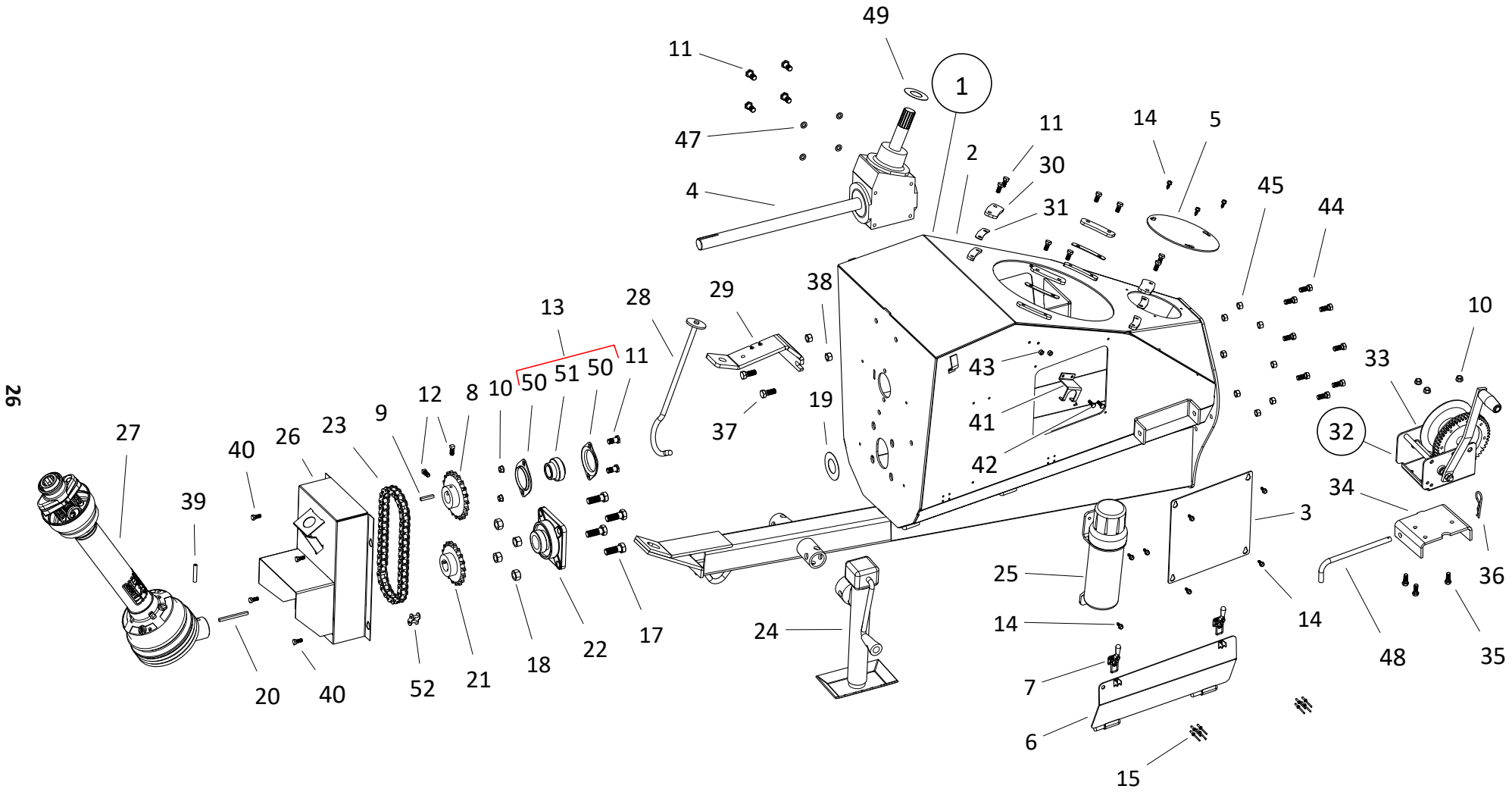
ITEM	PART NO.	DESCRIPTION
1	10-27506	HYDRAULIC CYLINDER ASSEMBLY
2	10-27505	HYDRAULIC CYLINDER ONLY
3	10-17640	PULLEY 6.5"
4	10-22191	STEEL ELBOW 6MORB X 3/8 F NPSM
5	10-27503	LIFT CABLE
6	10-17652	4-1/4"X1-1/4"CF RD PULLEY PIN
7	10-20320	CYLINDER HOSE ASSEMBLY
8	9900047	PIONEER COUPLER
9	10-18084	BALL VALVE
10	10-27480	HYDRAULIC RETURN HOSE
11	10-18990	3/8" CABLE CLAMP
12	10-17651	1-1/4" RIM WASHER PLTD
13	10-18098	COTTER PIN 1/4 X 1-3/4 C.ZINC PLTD
14	10-27815	5/8" X 4" NC BOLT GR 5 PLTD
15	10-19600	5/8" NC NYLON LOCKNUT PLTD
16	10-17687	BUSHING-OILITE
17	10-27486	MK100-81 RAM GUIDE
18	10-28584	COILED SPRING PIN 5/16 X 2-1/2 PLNO
19	10-19542	7/16" X 1" NC BOLT GR 5 PLTD
20	10-19598	7/16" NC NYLON LOCKNUT GR 2 PLTD

LIFT ARM COMPONENTS, MKX10



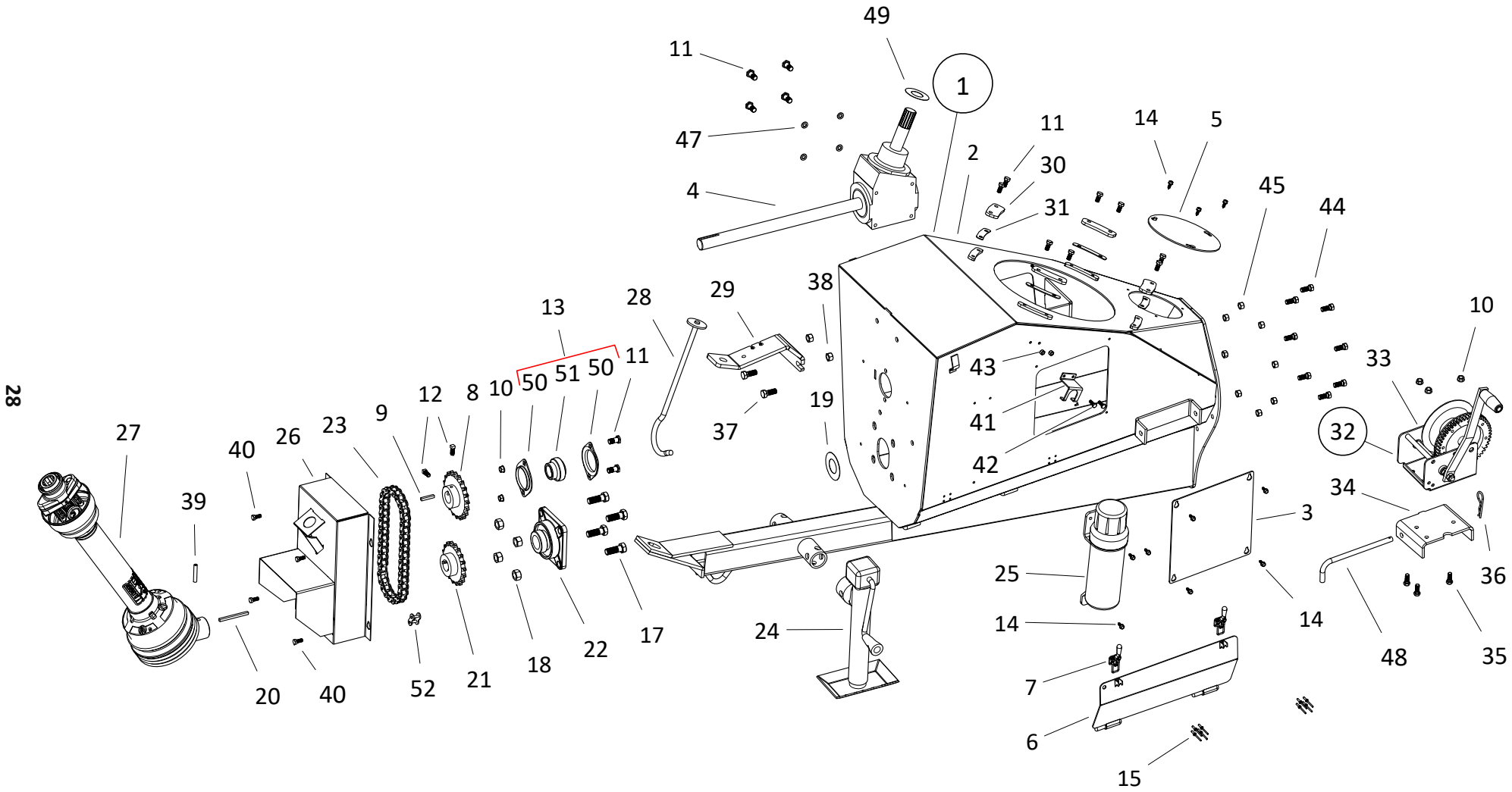
LIFT ARM COMPONENTS, MKX10

ITEM	PART NO.	DESCRIPTION
1	10-21972	MKX/X100 HOPPER LIFT ARM ASSY
2	10-21629	MKX/X10 HOPPER LIFT ARM
3	10-21818	MKX/X10 LIFTARM TRANSPORT HOOK ASSY
4	10-20083	5/16" MID LINK
5	10-28997	1/2T EYE HOIST HOOK W/LATCH
6	10-18074	MOUNT PIN
7	10-19463	210 HITCH PIN
8	10-18698	7/16" X 1-1/4" NC BOLT GR 8 PLTD
10	10-17182	1"OD X 29/64"ID X 10 GA WASHER PLTD
11	10-19598	7/16" NC NYLON LOCKNUT GR 2 PLTD
12	10-17376	MK LP HOPPER CABLE
13	10-19147	1/4" CABLE CLAMP
14	10-20793	HOPPER WEIGHT
15	10-21800	MKX/X100-83 LIFT ARM EXTENSION (83 ONLY)



BOOT, MKX10-53 | 63 | 73

ITEM	PART NO.	DESCRIPTION
1	10-21632	MKX/X10 GEAR BOOT ASSEMBLY
2	10-21633	MKX/X10 GEAR BOOT ONLY
3	10-20061	BOOT SERVICE DOOR
4	10-21549	GEARBOX
5	10-17374	ACCESS COVER
6	10-21634	MKX/X10 CLEANOUT DOOR
7	10-20052	LATCH AND CATCH
8	10-18713	60B20 X 1-1/4 SPROCKET
9	10-19606	1/4" X 1-1/2" SQUARE KEY
10	10-19596	3/8" SERRATED FLANGE NUT
11	10-19540	3/8" X 3/4" NC BOLT GR 5 PLTD
12	10-29118	SETSCREW, 3/8" X 3/4" GR 8 SQ END
13	10-19322	1-1/4 2 HOLE FLANGE BEARING
14	10-19274	SELF TAPPING SCREW
15	10-23769	5/32 X 39/64 RIVET, LOW PROFILE
17	10-18544	5/8" X 1-3/4" NC BOLT GR 5 PLTD
18	10-19600	5/8" NC NYLON LOCKNUT PLTD
19	10-21707	RIM WASHER, 1-1/2"
20	10-21758	1/4" X 3-3/8" SQUARE KEY
21	10-21567	60B18 X 1-1/4 SPROCKET
22	10-17292	1-1/2" PILLOW BLOCK BEARING
23	10-18726	CHAIN
24	10-18080	JACK
25	10-29755	WATERPROOF PLASTIC MANUAL HOLDER
26	10-21635	MKX/X10 SPROCKET COVER
27	10-18484	COMPLETE PTO SHAFT
28	10-18754	TRANSPORT SADDLE
29	10-20042	PTO BRACKET
30	10-29166	SPOUT HEAD RETAINER
31	10-29152	LRG BOOT RETAINER SPACER
32	200426	WINCH MOUNT ASSEMBLY (2019)
33	10-19152	WINCH & HANDLE
34	200425	WINCH BRACKET (2019)
35	10-18955	3/8" X 1" NC BOLT GR 5 PLTD
36	10-19463	SNAP PIN
37	10-19588	1/2" X 1-1/4" NC BOLT GR 5 PLTD
38	10-19599	1/2" NC NYLON LOCKNUT GR 2 PLTD
39	10-18079	5/16" X 2" ROLL PIN
40	10-19538	CAP SCREW, 5/16" - 18 x 3/4"
41	10-21932	SHUT OFF VALVE HOLDER
42	9900800	1/4" X 3/4" NC BOLT GR 5 PLTD
43	10-28449	1/4" NC NYLON LOCKNUT PLTD
44	10-19542	7/16" X 1" NC BOLT GR 5 PLTD
45	10-19598	7/16" NC NYLON LOCKNUT GR 2 PLTD
47	10-19604	3/8" LOCK WASHER PLTD
48	10-18074	MOUNT PIN
49	10-17370	1-1/4" WIDE RIM WASHER
50	10-18695	1-1/4" FLANGE, 2-HOLE
51	10-18853	1-1/4 FLANGE BRG ONLY
52	10-19433	#60 CONNECTOR LINK

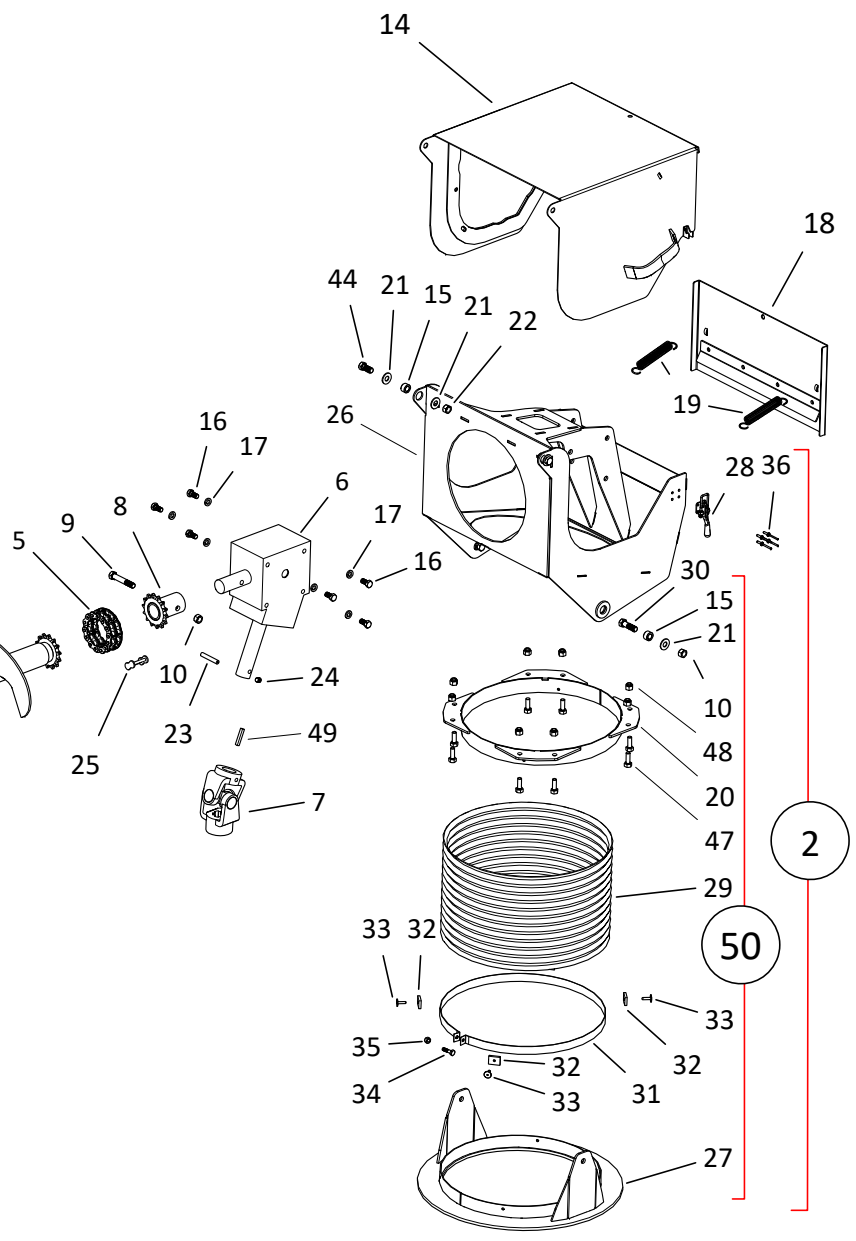
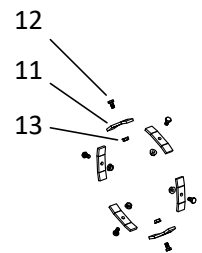
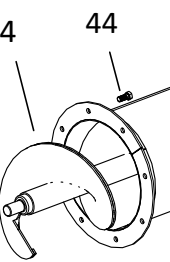
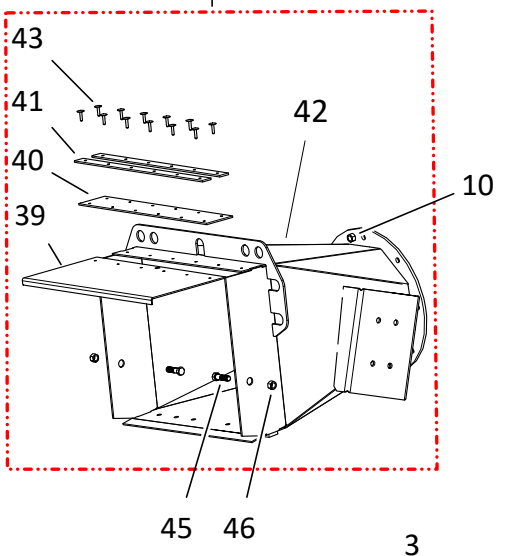
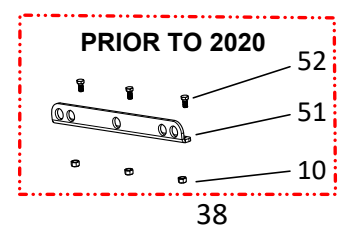


BOOT, MKX10-83

ITEM	PART NO.	DESCRIPTION
1	10-21632	MKX/X10 GEAR BOOT ASSEMBLY
2	10-21633	MKX/X10 GEAR BOOT ONLY
3	10-20061	BOOT SERVICE DOOR
4	10-21549	GEARBOX
5	10-17374	ACCESS COVER
6	10-21634	MKX/X10 CLEANOUT DOOR
7	10-20052	LATCH AND CATCH
8	10-18713	60B20 X 1-1/4 SPROCKET
9	10-19606	1/4" X 1-1/2" SQAURE KEY
10	10-19596	3/8" SERRATED FLANGE NUT
11	10-19540	3/8" X 3/4" NC BOLT GR 5 PLTD
12	10-29118	SETSCREW, 3/8" X 3/4" GR 8 SQ END
13	10-19322	1-1/4 2 HOLE FLANGE BEARING
14	10-19274	SELF TAPPING SCREW
15	10-23769	5/32 X 39/64 RIVET, LOW PROFILE
17	10-18544	5/8" X 1-3/4" NC BOLT GR 5 PLTD
18	10-19600	5/8" NC NYLON LOCKNUT PLTD
19	10-21707	RIM WASHER, 1-1/2"
20	10-21758	1/4" X 3-3/8" SQUARE KEY
21	10-21567	60B18 X 1-1/4 SPROCKET
22	10-17292	1-1/2" PILLOW BLOCK BEARING
23	10-18726	CHAIN
24	10-18080	JACK
25	10-29755	WATERPROOF PLASTIC MANUAL HOLDER
26	10-21635	MKX/X10 SPROCKET COVER
27	10-27481	COMPLETE PTO SHAFT
28	10-18754	TRANSPORT SADDLE
29	10-20042	PTO BRACKET
30	10-29166	SPOUT HEAD RETAINER
31	10-29152	LRG BOOT RETAINER SPACER
32	200426	WINCH MOUNT ASSEMBLY (2019)
33	10-19152	WINCH & HANDLE
34	200425	WINCH BRACKET (2019)
35	10-18955	3/8" X 1" NC BOLT GR 5 PLTD
36	10-19463	SNAP PIN
37	10-19588	1/2" X 1-1/4" NC BOLT GR 5 PLTD
38	10-19599	1/2" NC NYLON LOCKNUT GR 2 PLTD
39	10-18079	5/16" X 2" ROLL PIN
40	10-19538	CAP SCREW, 5/16" - 18 x 3/4"
41	10-21932	SHUT OFF VALVE HOLDER
42	9900800	1/4" X 3/4" NC BOLT GR 5 PLTD
43	10-28449	1/4" NC NYLON LOCKNUT PLTD
44	10-19542	7/16" X 1" NC BOLT GR 5 PLTD
45	10-19598	7/16" NC NYLON LOCKNUT GR 2 PLTD
47	10-19604	3/8" LOCK WASHER PLTD
48	10-18074	MOUNT PIN
49	10-17370	1-1/4" WIDE RIM WASHER
50	10-18695	1-1/4" FLANGE, 2-HOLE
51	10-18853	1-1/4 FLANGE BRG ONLY
52	10-19433	#60 CONNECTOR LINK

SWING TUBE & LP TRANSITION ASSEMBLY, MKX10

1



2

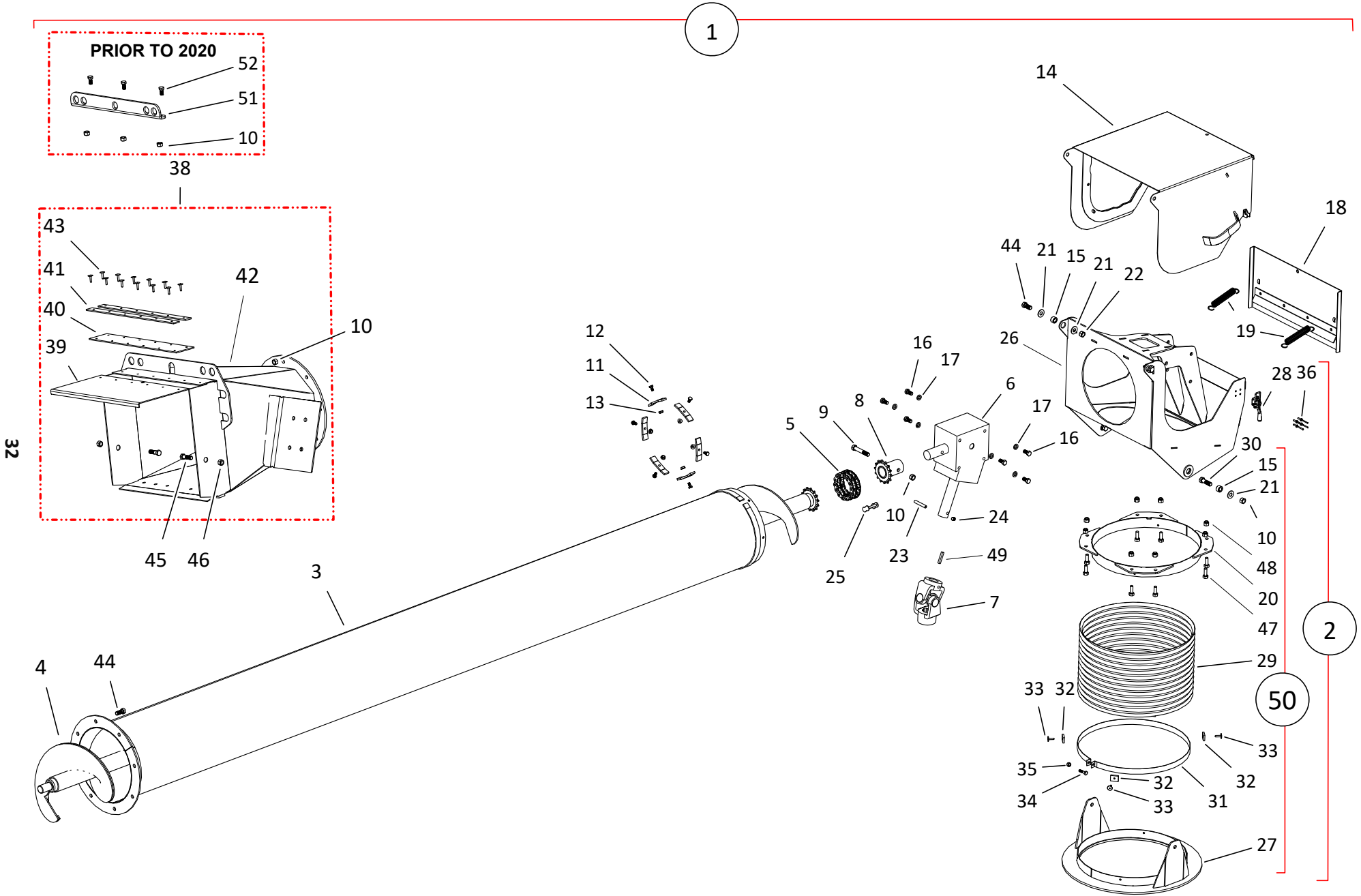
50

30

SWING TUBE & LP TRANSITION ASSEMBLY, MKX10

ITEM	PART NO.	DESCRIPTION
1	10-21644	MKX/X10 GSTB AND LP TRANS ASSY
2	10-21649	MKX/X10 SPOUT HEAD ASSEMBLY
3	10-18866	SWING TUBE ONLY
4	10-21711	MKX/X10 SWING TUBE FLIGHT
5	10-21571	#50-13P DOUBLE ROLLER CHAIN
6	10-18849	UPPER GEARBOX, COMPLETE
7	10-18727	SPLINED U-JOINT (BLACK)
7A	10-17029	CROSS KIT
8	10-21568	50B14 CUSTOM SPROCKET C/W PIN HOLE
9	10-17747	7/16" X 2-1/2" NC BOLT GR 8 PLTD
10	10-19598	7/16" NC NYLON LOCKNUT GR 2 PLTD
11	10-18877	SPOUT ATTACH PLATE
12	10-19537	1/4" X 1/2" HEX WASHER HEAD GR 5 PLTD
13	10-19594	1/4" NC SERRATED FLANGE NUT PLTD
14	10-21642	MKX/X10 SPOUTHEAD LID
15	10-27889	LEVELLER BUSHING
16	10-19540	3/8" X 3/4" NC BOLT GR 5 PLTD
17	10-19604	3/8" LOCK WASHER PLTD
18	10-21643	MKX/X10 SPOUTHEAD DOOR
19	10-18728	EXTENSION SPRING
20	200389RD	SPOUT HEAD HOSE RING WELDT MKX/X100
21	10-17182	1"OD X 29/64"ID X 10 GA WASHER PLTD
22	10-17593	7/16" NC NYLON LOCKNUT GR 5 YLW PLTD
23	10-18079	5/16" X 2" ROLL PIN
24	10-19225	3/8" X 3/8" SET SCREW
25	10-20048	#50 DOUBLE CONNECTOR LINK
26	200390RD	MKX/X100 SPOUT HEAD WELD'T (2019)
27	10-21640	MKX/X10 SPOUTHEAD BASE
28	10-20052	LATCH AND CATCH
29	10-21604	14" ID X 10" LONG CLEAR FLEX HOSE
30	10-28744	7/16" X 1-1/2" NC BOLT GR 5 PLTD
31	10-21770	MKX/X10 SPOUT HEAD HOSE STRAP
32	10-29252	DUCTING SECURE TAB
33	10-18185	LARGE FLANGE RIVET
34	10-19988	1/4" X 1" NC BOLT GR 2 PLTD
35	10-28449	1/4" NC NYLON LOCKNUT PLTD
36	10-23769	5/32 X 39/64 RIVET, LOW PROFILE
38	200408RD	ASSY, MKX/X 10 LP TRANSITION
39	10-21100	LP TRANSITION ACCESS DOOR
40	10-21101	TRANSITION BELT
41	10-21102	TRANSITION BELT STRAP
42	200409RD	WELD'T, MKX/X10 LP TRANSITION
43	10-20399	3/16" X 5/8" GRIP RIVET
44	10-18698	7/16" X 1-1/4" NC BOLT GR 8 PLTD
45	10-19590	5/8" X 1-1/2" NC BOLT GR 8 PLTD
46	10-19600	5/8" NC NYLON LOCKNUT PLTD
47	10-18955	3/8" X 1" NC BOLT GR 5 PLTD
48	10-17402	3/8" NC NYLON LOCKNUT PLTD
49	10-19606	1/4" X 1-1/2" SQUARE KEY
50	05-A448	MKX/X10 SPOUT HEAD-HOSE RING RPLCM

SWING TUBE & LP TRANSITION ASSEMBLY, MKX10



1

2

50

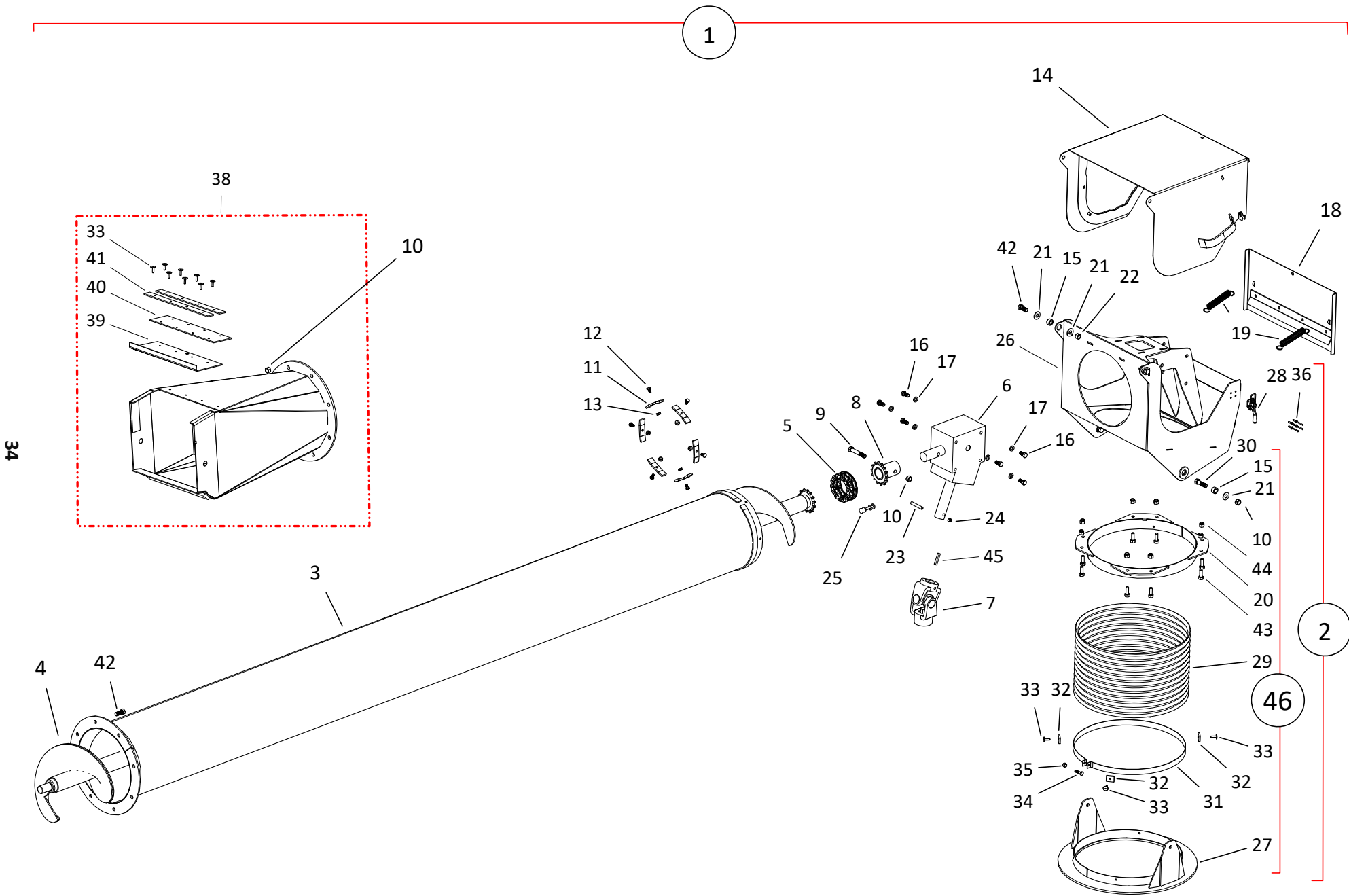
PRIOR TO 2020

32

SWING TUBE & LP TRANSITION ASSEMBLY, MKX10

ITEM	PART NO.	DESCRIPTION
51	10-21816	MKX/X10 LIFT CABLE ATTACH BRACKET (PRIOR TO 2020)
52	10-19542	7/16" X 1" NC BOLT GR 5 PLTD (PRIOR TO 2020)

SWING TUBE & REGULAR TRANSITION ASSEMBLY, MKX10

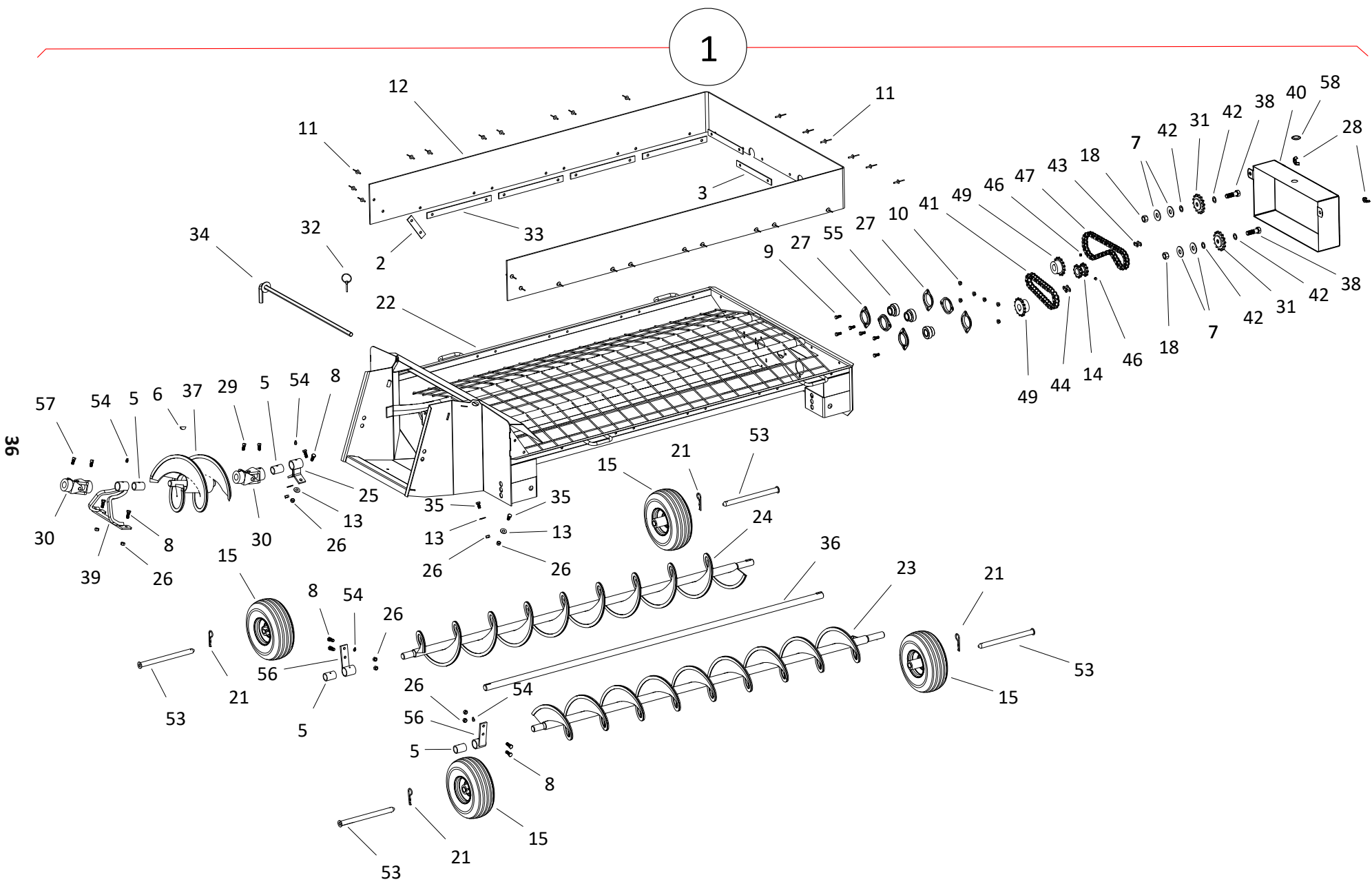


34

SWING TUBE & REGULAR TRANSITION ASSEMBLY, MKX10

ITEM	PART NO.	DESCRIPTION
1	10-23783	MKX/X10 GSTB AND REG TRANS ASSY
2	10-21649	MKX/X10 SPOUT HEAD ASSEMBLY
3	10-18866	SWING TUBE ONLY
4	10-21711	MKX/X10 SWING TUBE FLIGHT
5	10-21571	#50-13P DOUBLE ROLLER CHAIN
6	10-18849	UPPER GEARBOX, COMPLETE
7A	10-17029	CROSS KIT
7	10-18727	SPLINED U-JOINT (BLACK)
8	10-21568	50B14 CUSTOM SPROCKET C/W PIN HOLE
9	10-17747	7/16" X 2-1/2" NC BOLT GR 8 PLTD
10	10-19598	7/16" NC NYLON LOCKNUT GR 2 PLTD
11	10-18877	SPOUT ATTACH PLATE
12	10-19537	1/4" X 1/2" HEX WASHER HEAD GR 5 PLTD
13	10-19594	1/4" NC SERRATED FLANGE NUT PLTD
14	10-21642	MKX/X10 SPOUTHEAD LID
15	10-27889	LEVELLER BUSHING
16	10-19540	3/8" X 3/4" NC BOLT GR 5 PLTD
17	10-19604	3/8" LOCK WASHER PLTD
18	10-21643	MKX/X10 SPOUTHEAD DOOR
19	10-18728	EXTENSION SPRING
20	200389RD	SPOUT HEAD HOSE RING WELDT MKX/X100
21	10-17182	1"OD X 29/64"ID X 10 GA WASHER PLTD
22	10-17593	7/16" NC NYLON LOCKNUT GR 5 YLW PLTD
23	10-18079	5/16" X 2" ROLL PIN
24	10-19225	3/8" X 3/8" SET SCREW
25	10-20048	#50 DOUBLE CONNECTOR LINK
26	200390RD	MKX/X100 SPOUT HEAD WELD'T (2019)
27	10-21640	MKX/X10 SPOUTHEAD BASE
28	10-20052	LATCH AND CATCH
29	10-21604	14" ID X 10" LONG CLEAR FLEX HOSE
30	10-28744	7/16" X 1-1/2" NC BOLT GR 5 PLTD
31	10-21770	MKX/X10 SPOUT HEAD HOSE STRAP
32	10-29252	DUCTING SECURE TAB
33	10-18185	LARGE FLANGE RIVET
34	10-19988	1/4" X 1" NC BOLT GR 2 PLTD
35	10-28449	1/4" NC NYLON LOCKNUT PLTD
36	10-23769	5/32 X 39/64 RIVET, LOW PROFILE
38	10-23737	MKX100 REGULAR TRANSITION ASSEMBLY, (2018)
39	10-21775	10" TRANSITION ACCESS DOOR
40	10-21779	TRANSITION BELT, REGULAR HOPPER
41	10-21806	REG TRANSITION BELT STRAP
42	10-18698	7/16" X 1-1/4" NC BOLT GR 8 PLTD
43	10-18955	3/8" X 1" NC BOLT GR 5 PLTD
44	10-17402	3/8" NC NYLON LOCKNUT PLTD
45	10-19606	1/4" X 1-1/2" SQUARE KEY
46	05-A448	MKX/X10 SPOUT HEAD-HOSE RING RPLCM

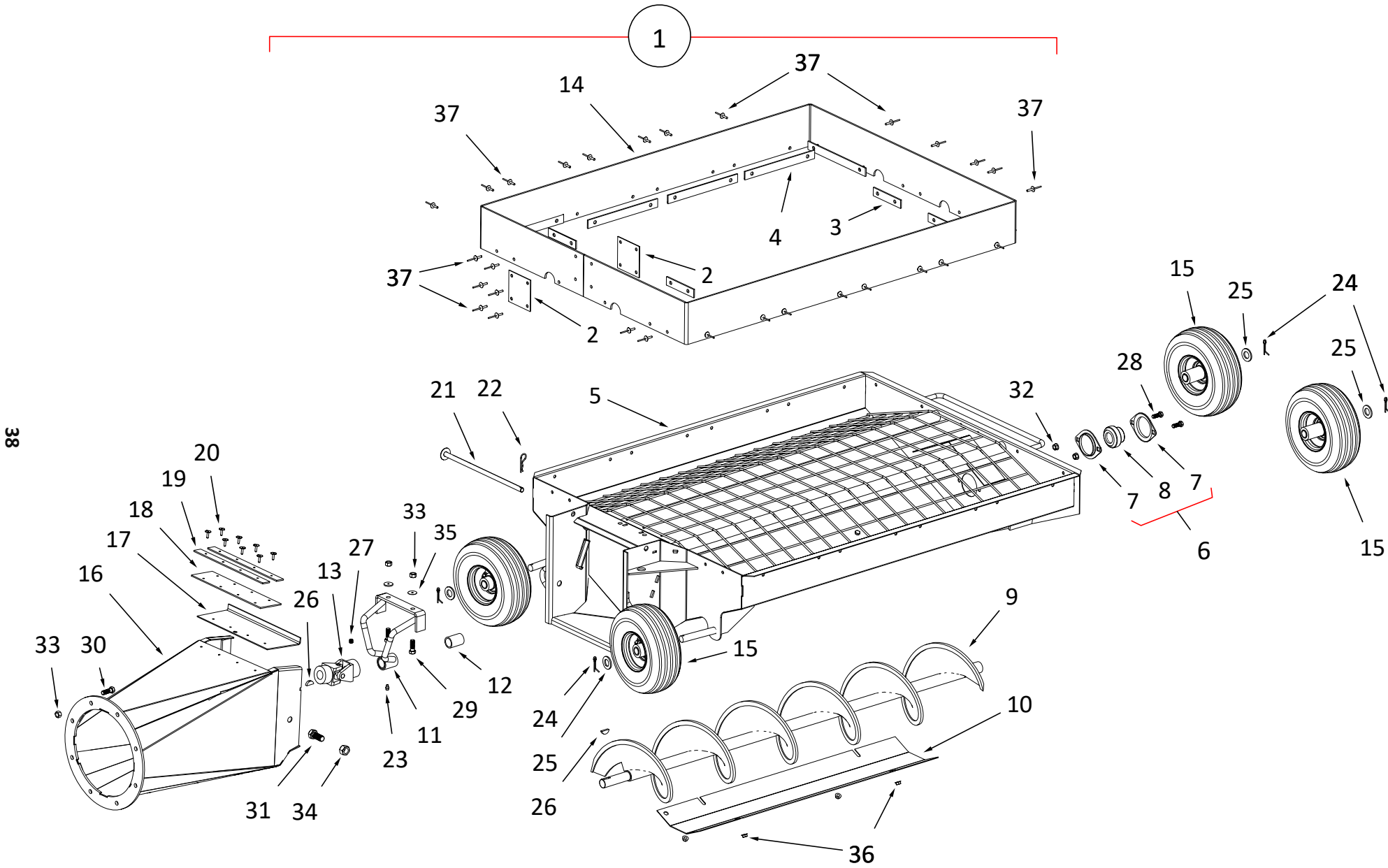
LOW PROFILE HOPPER, MKX10



LOW PROFILE HOPPER, MKX10

ITEM	PART NO.	DESCRIPTION
1	10-21617	MKX/X10 LP HOPPER ASSEMBLY
2	10-22049	4-3/4 BELTING ATTACH STRAP
3	10-22050	10 BELTING ATTACH STRAP
5	10-19149	1" BUSHING
6	10-19224	1/4" X 1" WOODRUFF KEY
7	10-19966	5/8" FLAT WASHER PLTD
8	10-18955	3/8" X 1" NC BOLT GR 5 PLTD
9	10-19538	CAP SCREW, 5/16" - 18 x 3/4"
10	10-19595	5/16" NC SERRATED FLANGE NUT PLTD
11	10-20399	3/16" X 5/8" GRIP RIVET
12	10-29896	LP RUBBER BELTING
13	10-17392	3/8" FLAT WASHER PLTD
14	10-21566	DS50A10 X 1 SPROCKET
15	10-17522	LOW PRO HOPPER WHEEL
18	10-19600	5/8" NC NYLON LOCKNUT PLTD
21	10-19463	SNAP PIN
22	10-29978	LP HOPPER ONLY
23	10-17345	LP HOPPER FLIGHT SECTION
24	10-29963	LP HOPPER FLIGHT, LH
25	10-17352	BUSHING SUPPORT, LP HOPPER SHAFT
26	10-17402	3/8" NC NYLON LOCKNUT PLTD
27	10-18694	FLANGE PLATED FINISH
28	10-20082	3/8" WING NUT PLTD
29	10-29117	SETSCREW, 3/8" X 5/8" GR 8 SQ END
30	10-29175	U-JOINT (BLACK)
30A	10-17029	CROSS KIT
31	10-29894	50C15 X 5/8 IDLER SPROCKET
32	10-29998	LYNCH PIN 3/16 X 1-1/4 Y.ZINC PLTD
33	10-22051	12-1/2 BELTING ATTACH STRAP
34	10-20461	LP DOOR PIN, BENT
35	10-19540	3/8" X 3/4" NC BOLT GR 5 PLTD
36	10-17346	LP DRIVESHAFT
37	10-17356	LP NECK FLIGHT SECTION
38	10-27484	5/8" X 2-1/4" NC BOLT GR 8 PLTD
39	200401	ASSY, 10" NECK FLIGHT SUPPORT
40	10-29981	LP CHAIN COVER
41	10-21990	#50 - 1R X 29P ROLLER CHAIN
42	10-18096	5/8" RIM WASHER PLTD
43	10-20430	#50 (HEAVY) CONNECTOR LINK
44	10-19134	#50 CONNECTOR LINK
46	10-21872	SETSCREW, 5/16" X 5/16" GR 5
47	10-21991	#50 - 1R X 47P ROLLER CHAIN (HEAVY)
49	10-19131	50B14 X 1" SPROCKET
53	10-17394	LP FIXED WHEEL AXLE
54	10-19222	1/4" FINE THREAD ZIRK
55	10-18817	BEARING
56	10-17583	BUSHING SUPPORT
57	10-19225	3/8" X 3/8" SET SCREW
58	10-17584	PLUG

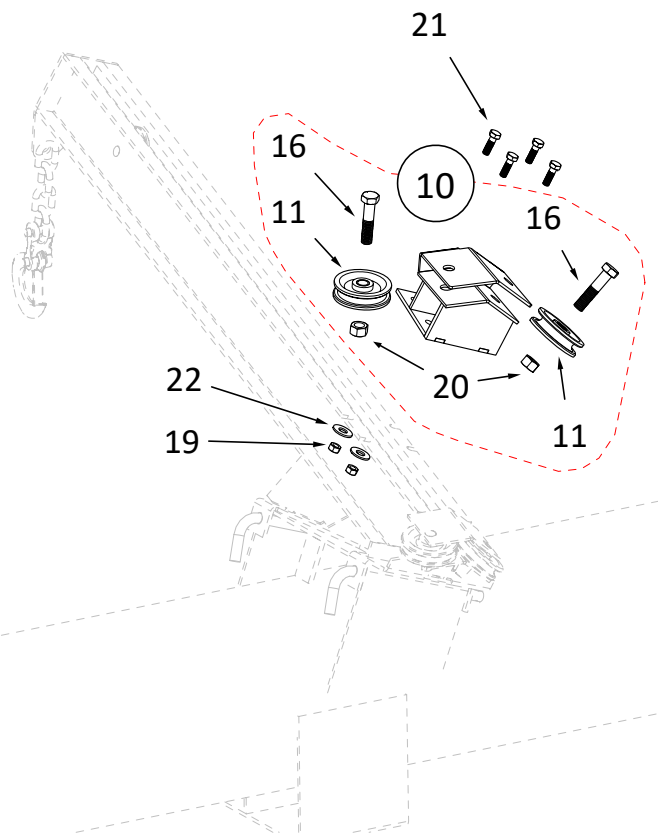
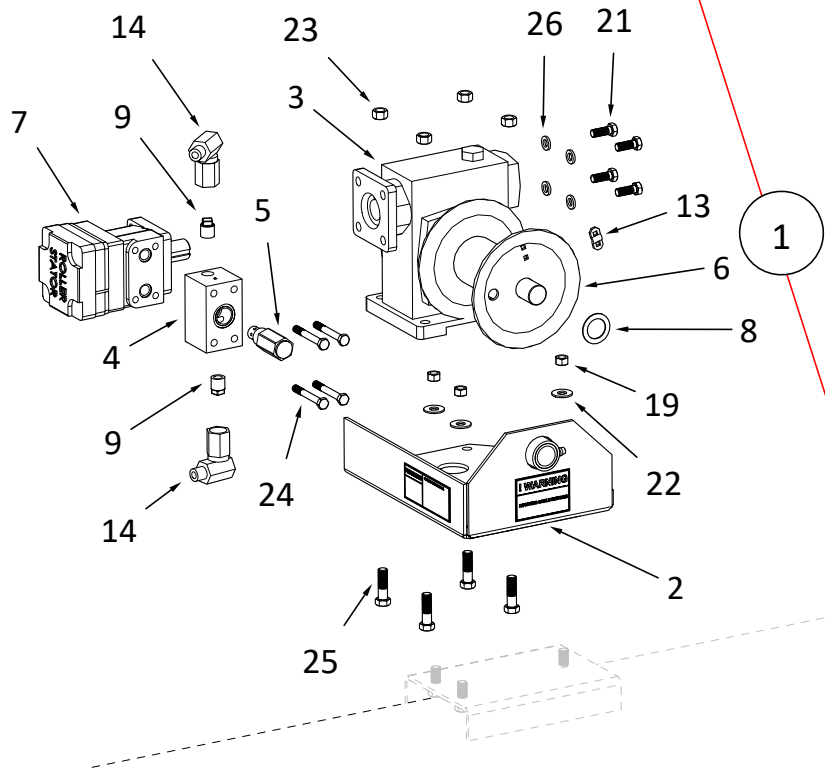
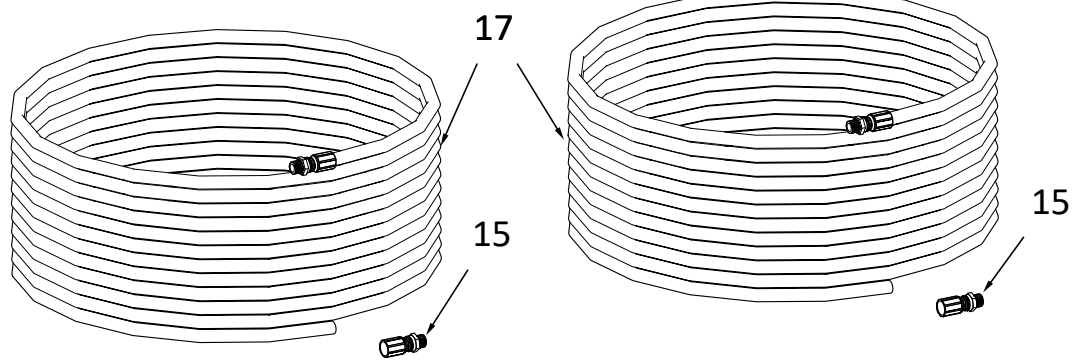
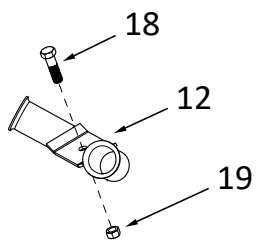
STANDARD HOPPER, MKX10 (A297)



STANDARD HOPPER, MKX10 (A297)

ITEM	PART NO.	DESCRIPTION
1	10-23734	MKX100 REG HOPPER ASSEMBLY (2018) (SN: 1804064388+)
1	10-22792	MKX100 REG HOPPER ASSEMBLY (2017) (SN: 280756 - 1804064387)
1	10-22450	MKX100 REG HOPPER ASSEMBLY (2016) (SN: 277008-280755)
2	10-22927	HOPPER RUBBER CONN PLATE (SN: 280756+)
2	10-18055	RUBBER EXT. CONNECTOR PLATE (SN: 280755-)
3	10-22049	4-3/4 BELTING ATTACH STRAP
4	10-22050	10 BELTING ATTACH STRAP
5	10-23735	MKX100 REG HOPPER ONLY (2018) (SN: 1804064388+)
5	10-22791	MKX100 REG HOPPER ONLY (2017) (SN: 280756 - 1804064387)
5	10-22449	MKX100 HOPPER ONLY (SN: 277008-280755)
6	10-19322	1-1/4 2 HOLE FLANGE BEARING
7	10-18695	1-1/4" FLANGE, 2-HOLE
8	10-18853	1-1/4 FLANGE BRG ONLY
9	10-21802	MKX100 REGULAR HOPPER FLIGHT
10	10-29355	CLEANOUT COVER
11	10-22444	10" - BUSHING SUPPORT
12	10-19149	1" BUSHING
13	10-29175	U-JOINT (BLACK)
13A	10-17029	CROSS KIT
14	10-21861	MKX REGULAR HOPPER BELTING
15	10-17522	LOW PRO HOPPER WHEEL
16	10-23737	MKX100 REG HPR TRANS ASSY (2018) (SN: 1804064388+)
16	10-22776	MKX100 REG HPR TRANS ASSY (2017) (SN: 280756 - 1804064387)
16	10-22448	MKX100 STRAIGHT TRANSITION ASSEMBLY (SN: 277008-280755)
17	10-21775	10" TRANSITION ACCESS DOOR
18	10-21779	MKX10 TRANSITION BELT, REGULAR HOPPER
19	10-21806	MKX100 REG TRANSITION STRAP
20	10-18185	RIVET (LARGE FLANGE)
21	10-29323	DOOR PIN
22	10-19463	SNAP PIN
23	10-19222	1/4" FINE THREAD ZIRK
24	10-18155	3/16" X 1-1/4" COTTER PIN PLTD
25	10-18948	3/4" RIM WASHER PLTD
26	10-19224	1/4" X 1" WOODRUFF KEY
27	10-19225	3/8" X 3/8" SET SCREW
28	10-18955	3/8" X 1" NC BOLT GR 5 PLTD
29	10-18698	7/16" X 1-1/4" NC BOLT GR 8 PLTD
30	10-19542	7/16" X 1" NC BOLT GR 5 PLTD
31	10-19590	5/8" X 1-1/2" NC BOLT GR 8 PLTD
32	10-19596	3/8" SERRATED FLANGE NUT
33	10-19598	7/16" NC NYLON LOCKNUT GR 2 PLTD
34	10-19600	5/8" NC NYLON LOCKNUT PLTD
35	10-28485	7/16" SAE WASHER PLTD
36	10-19595	5/16" NC SERRATED FLANGE NUT PLTD
37	10-20399	3/16" X 5/8" GRIP RIVET

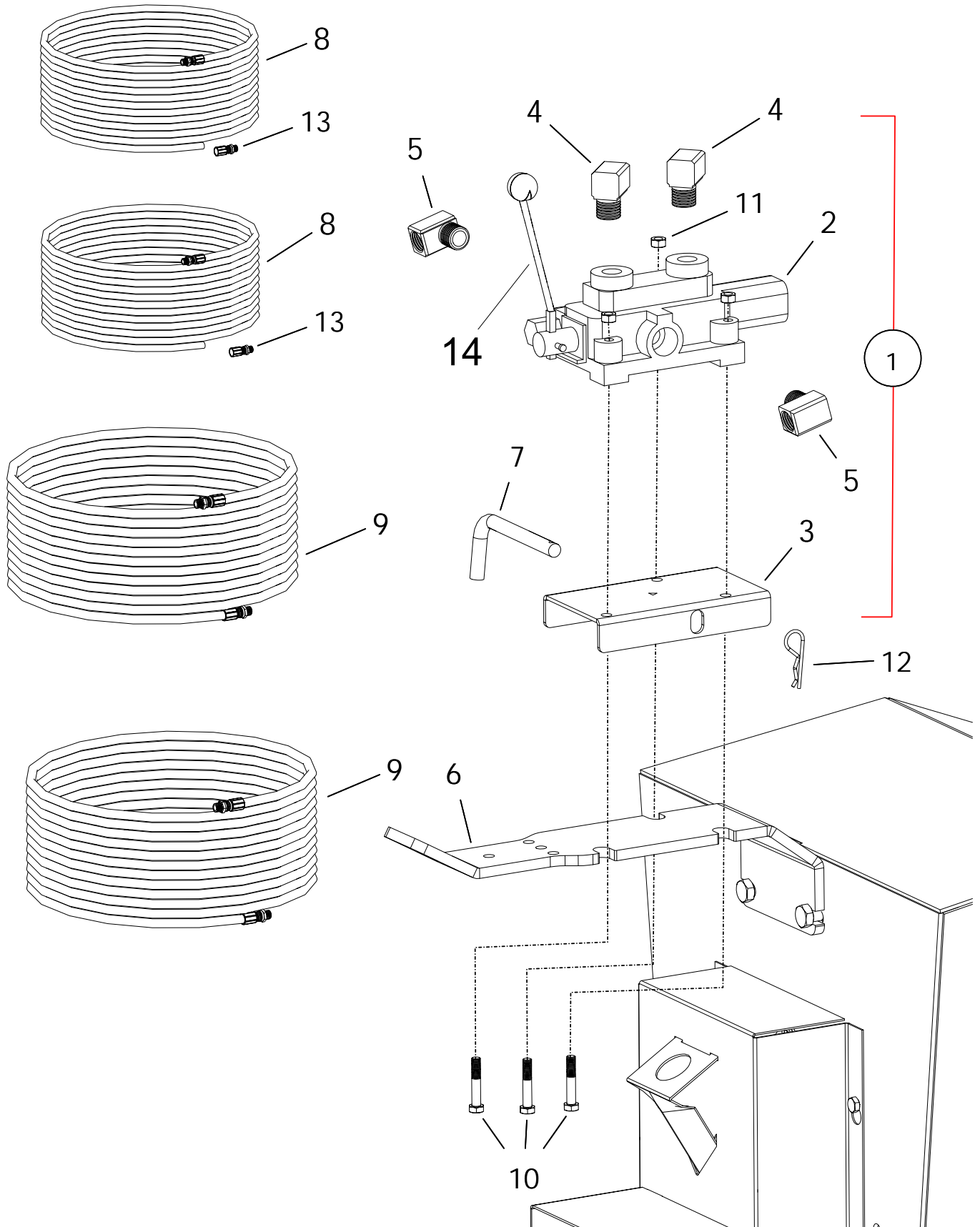
HYDRAULIC WINCH (A296)



HYDRAULIC WINCH (A296)

ITEM	PART NO.	DESCRIPTION
1	10-17634	HYDRAULIC WINCH ASSEMBLY, RED
2	10-17628	HYD WINCH FRAME ASSEMBLY, RED
3	10-17625	60 WPUDS 20:1
4	10-28221	MANIFOLD WINCH RELIEF BLOCK
5	10-28222	VALVE WINCH NON-ADJ REFLIEF MANIFOLD
6	10-17629	HYDRAULIC WINCH DRUM, RED
7	10-17626	MOTOR, HYD, 3.2, MANIFOLD KEYED
8	10-18097	1" RIM WASHER PLTD
9	0308013	3/8" NPT PLASTIC PLUG
10	10-23134	LIFT ARM PULLEY GUIDE ASSEMBLY (2017)
11	10-21494	LIFT ARM PULLEY ASSEMBLY
12	10-17467	MK91 DOUBLE HOSE HOLDER
13	10-18496	ROPE KEEPER KIT
14	1100625	STEEL ELBOW 90, 1/2FNPSMX3/8MNPT
15	9900047	PIONEER COUPLER
16	9900560	1/2" X 2-1/4" NC BOLT GR 5 PLTD
17	10-22611	3/8" X 215" HYDRAULIC HOSE
18	10-29246	3/8" X 1" GR8 SHEAR BOLT
19	10-17402	3/8" NC NYLON LOCKNUT PLTD
20	10-17750	1/2" NC NYLON LOCKNUT GR 5 YLW PLTD
21	10-18955	3/8" X 1" NC BOLT GR 5 PLTD
22	10-17392	3/8" FLAT WASHER PLTD
23	10-19598	7/16" NC NYLON LOCKNUT GR 2 PLTD
24	10-17631	5/16" X 2-1/2" NC BOLT GR 2 PLTD
25	10-28744	7/16" X 1-1/2" NC BOLT GR 5 PLTD
26	10-19604	3/8" LOCK WASHER PLTD

HYDRAULIC VALVE (A336)



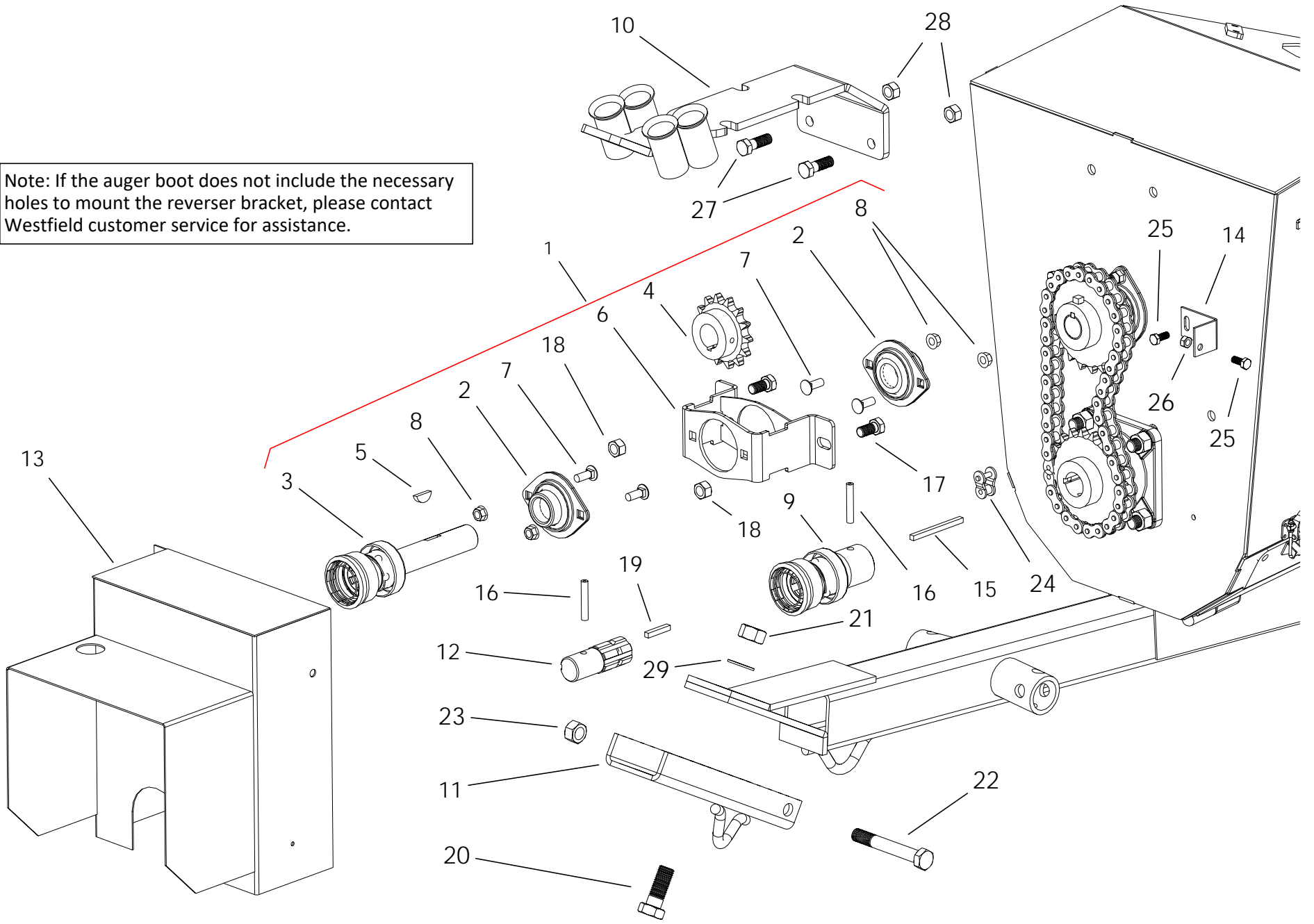
HYDRAULIC VALVE (A336)

ITEM	PART NO.	DESCRIPTION
1	10-20132	HYDRAULIC VALVE ASSEMBLY
2	10-17675	HYDRAULIC VALVE
3	10-20044	VALVE MOUNT PLATE
4	10-28478	STEEL ELBOW
5	10-29087	STEEL ELBOW 90, 12MNPT X 8FNPSM
6	10-20043	PTO/VALVE BRACKET, 10"/13"
7	10-19648	SADDLE PIN
8	10-21860	3/8" X 77" HYDRAULIC HOSE
9	10-21774	3/8" X 132" HYDRAULIC HOSE
10	10-17712	5/16" X 1-3/4" NC BOLT GR 5 PLTD
11	10-19980	5/16" NC NYLON LOCKNUT PLTD
12	10-17383	GRIP CLIP
13	9900047	PIONEER COUPLER
14	10-27590	POWERSWING VALVE HANDLE KIT

RIGHT ANGLE DRIVE (A293)

ITEM	PART NO.	DESCRIPTION
1	10-29137	RAD LEG
2	10-21798	RAD GEARBOX ASSEMBLY
3	10-21799	RAD GEARBOX MOUNT
4	10-17597	ADJUST PLATE, RAD
5	10-19600	5/8" NC NYLON LOCKNUT PLTD
6	10-19585	GEARBOX
7	10-19231	1/2" X 1" NC BOLT GR 5 PLTD
8	10-19605	1/2" LOCK WASHER PLTD
9	10-17637	FLEX COUPLER
10	10-29315	RAD JACK MOUNT
11	10-17610	WHITE END PTO SHAFT (60")
12	10-19804	SD SADDLE BRACKET
13	10-19801	HALF CLAMP
14	10-17232	PTO SHIELD ASSEMBLY
15	10-17598	RAD ATTACH PLATE
16	10-19648	SADDLE PIN
17	10-19463	HITCH PIN
18	10-19982	7/16" X 4" NC BOLT GR 5 PLTD
19	10-19598	7/16" NC NYLON LOCKNUT GR 2 PLTD
20	10-29316	7/16" X 4-1/2" NC BOLT GR 5 PLTD
21	10-19606	1/4" X 1-1/2" SQUARE KEY
22	10-19542	7/16" X 1" NC BOLT GR 5 PLTD
23	10-19540	3/8" X 3/4" NC BOLT GR 5 PLTD
24	10-19596	3/8" SERRATED FLANGE NUT
25	10-19538	CAP SCREW, 5/16" - 18 x 3/4"
26	10-19595	5/16" FLANGE NUT
27	10-18878	4-3/4" STRAP
28	10-17229	RUBBER BELT
29	10-17635	3/8" X 2-3/4" NC BOLT GR 8 PLTD
30	10-17402	3/8" NC NYLON LOCKNUT PLTD
31	10-19864	5/8" NC HEX NUT PLTD

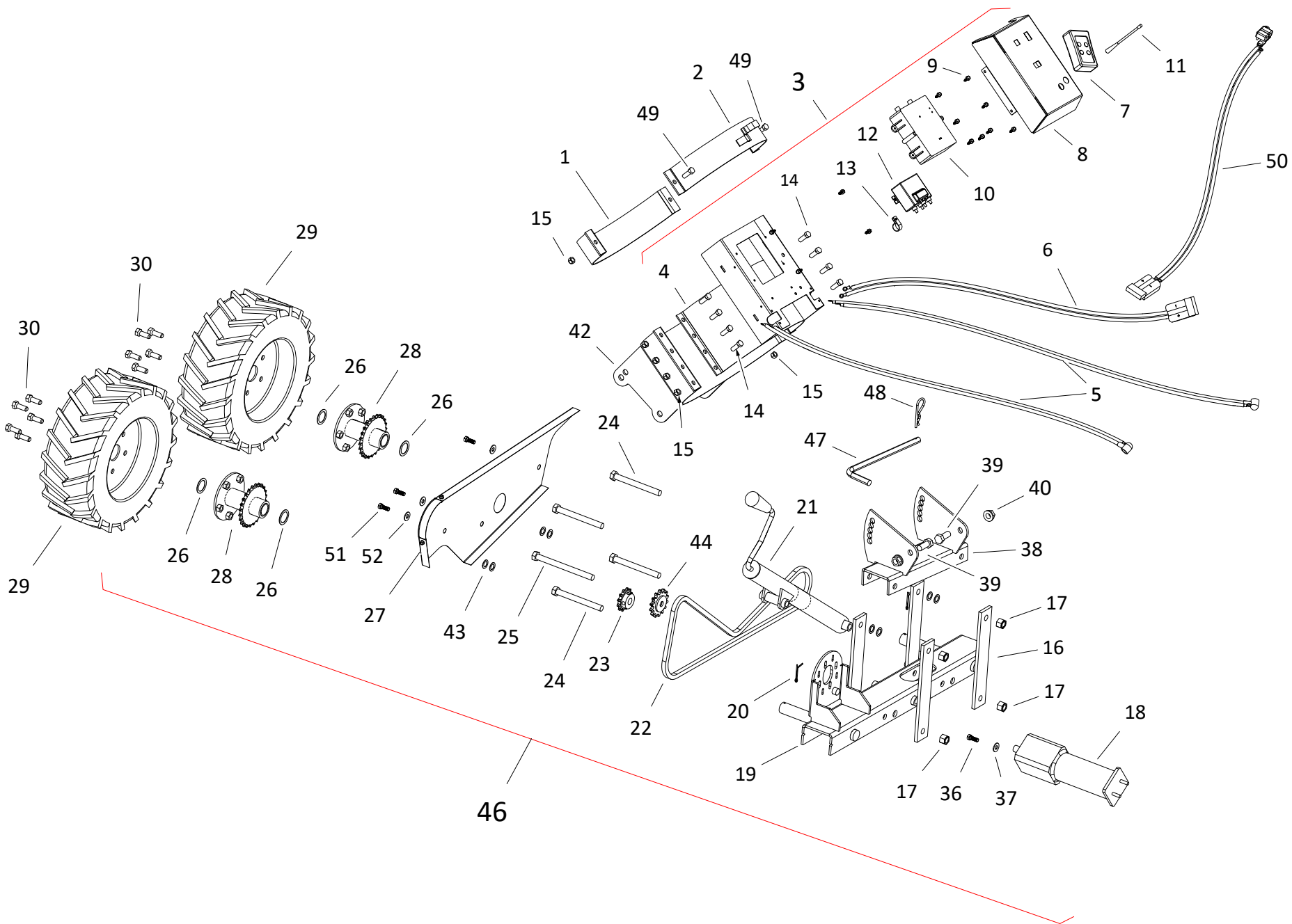
Note: If the auger boot does not include the necessary holes to mount the reverser bracket, please contact Westfield customer service for assistance.



REVERSING KIT (A292)

ITEM	PART NO.	DESCRIPTION
1	10-21786	REVERSER BRACKET ASSEMBLY
2	10-19322	1-1/4 2-HOLE FLANGE BEARING
3	10-17054	REVERSER COUPLER
4	10-17067	60B14 X 1-1/4 SPROCKET
5	10-19224	1/4" X 1" WOODRUFF KEY
6	10-21785	MKX/X10 REVERSER BRACKET
7	10-27986	3/8" X 1" NC CARRIAGE BOLT GR 5 PLTD
8	10-19596	3/8" SERRATED FLANGE NUT
9	10-17051	REV LOWER COUPLER
10	10-20705	VALVE BRACKET
11	10-17055	REV HITCH EXTENSION
12	10-18176	SPLINED SHAFT
13	10-21784	REVERSER SHIELD
14	10-21989	MKX/X10 REVERSER SHIELD BRACKET
15	10-21758	1/4" X 3-3/8" SQUARE KEY
16	10-18079	5/16" X 2" ROLL PIN
17	10-19231	1/2" X 1" NC BOLT GR 5 PLTD
18	10-19599	1/2" NC NYLON LOCKNUT GR 2 PLTD
19	10-19606	1/4" X 1-1/2" SQUARE KEY
20	10-19592	3/4" X 2" NC BOLT GR 8 PLTD
21	10-19601	3/4" NC NYLON LOCKNUT PLTD
22	10-18545	5/8" X 4-1/2" NC BOLT GR 8 PLTD
23	10-19600	5/8" NC NYLON LOCKNUT PLTD
24	10-29526	#60 OFFSET LINK
25	10-19538	CAP SCREW, 5/16" - 18 x 3/4"
26	10-19980	5/16" NC NYLON LOCKNUT PLTD
27	10-19589	1/2" X 1-1/2" NC BOLT GR8 PLTD
28	10-17750	1/2" NC NYLON LOCKNUT PLTD
29	10-19979	FLAT WASHER, 3/4"

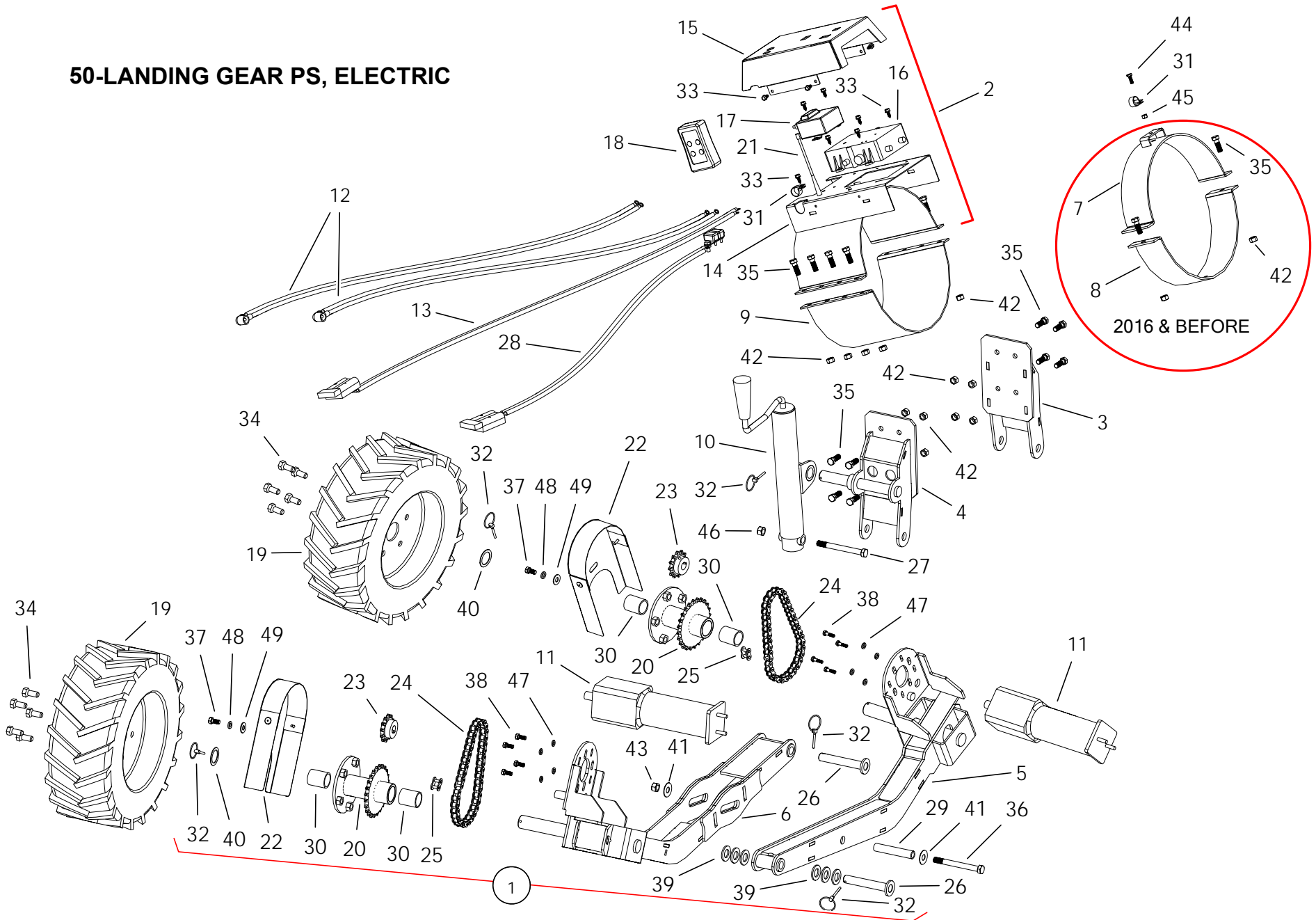
ELECTRIC POWER SWING-10" (A269)



ELECTRIC POWER SWING-10" (A269)

ITEM	PART NO.	DESCRIPTION
1	10-19801	W100 HALF CLAMP
2	10-17696	MK100 PS HOSE CLIP HALF CLAMP
3	10-20289	ASSY, 10" P/S TOP CLAMP RECEIVER
4	10-20154	10" TOP CLAMP W.A RC POWERSWING
5	10-20168	WIRE HARNESS - CONTACTOR TO MOTOR
6	10-22582	WIRE ASSY CONTACTOR/QUICK CONNECT
7	10-20134	92102TX TRANSMITTER
8	10-20178	COVER, PS RECEIVER ARMOR - POWERSWING
9	10-19274	#14 X 5/8" SHEET METAL SCREW
10	10-20135	RECEIVER, REMOTE CONTROL-LOADAR
11	10-20524	ANTENNA
12	10-20136	CONTACTOR, 80 AMP
13	10-20268	5/8 X 1/2 INSULATED CLAMP
14	10-18698	7/16" X 1-1/4" BOLT GR 8
15	10-19598	7/16" NYLON LOCKNUT GR 2
16	10-20174	PLATE, PARALLEL BAR - POWERSWING
17	10-19600	5/8" NYLON LOCKNUT
18	10-20138	12V. DC MOTOR
19	10-20173	AXLE ASSY, POWER SWING
20	10-17757	3/16" X 1-3/4" COTTER PIN PLTD
21	10-20179	JACK, POWERSWING
22	10-20515	#50 ROLLER CHAIN
22A	10-19134	#50 CONNECTOR LINK (NOT SHOWN)
23	10-20210	50B12 X 3/4" SPROCKET
24	10-20163	5/8" X 6" BOLT GR5
25	10-20164	5/8" X 7-1/2" BOLT GR8
26	10-17651	1-1/4" RIM WASHER PLTD
27	10-20180	GUARD, POWERSWING
28	10-20166	ASSY HUB, W/ BUSHING
29	10-20137	16 X 6.5 5 BOLT WHEEL ASSM
30	10-20565	1/2" X 1" WHEEL BOLT (BLACK)
36	10-20445	1/4" X 1" BOLT GR8
37	9900783	1/4" LOCKWASHER PLTD
38	10-20892	PIVOT - POWERSWING
39	10-19590	5/8" X 1-1/2" BOLT GR 8
40	10-27588	5/8" SERRATED FLANGE NUT
42	10-20291	10" BOTTOM CLAMP - POWER SWING
43	10-19966	5/8" FLAT WASHER PLTD
44	10-29894	50C15 X 5/8" SPROCKET IDLER
46	10-20269	ELECTRIC PS AXLE AS SHIPPED
47	10-20895	PS ADJUST PIN
48	10-19463	HAIRPIN, 7/16" X 3/4", 1/8" DIA.
49	10-19542	7/16" X 1" NC BOLT GR5 PLTD
50	10-20169	WIRE ASSY BATTERY TO QUICK CONNECT
51	10-19540	3/8" X 3/4" NC BOLT GR 5 PLTD
52	10-17392	3/8" FLAT WASHER PLTD

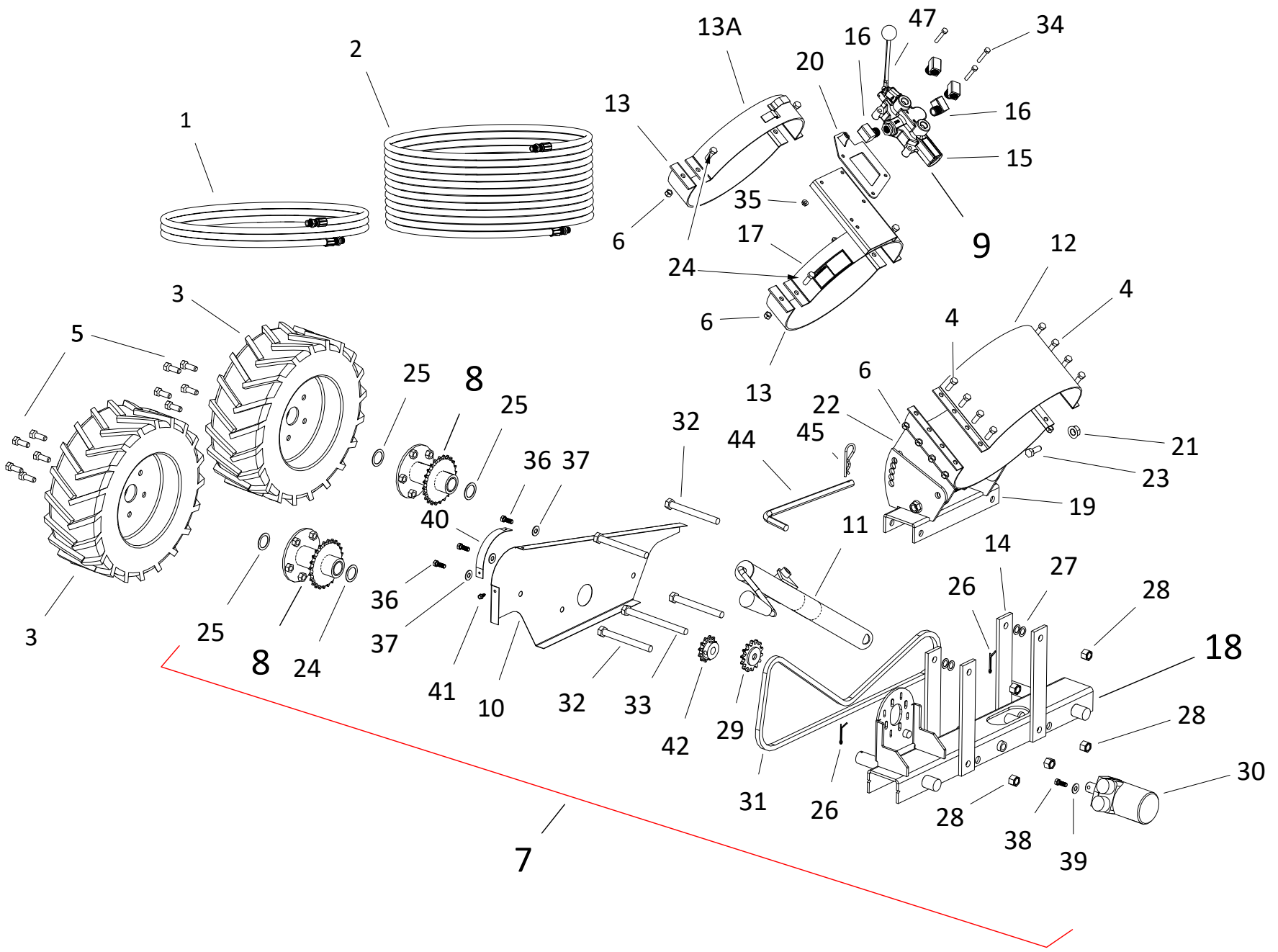
50-LANDING GEAR PS, ELECTRIC



ELECTRIC LANDING GEAR POWER SWING - 10" (A363)

ITEM	PART NO.	DESCRIPTION
1	10-22563	LANDING GEAR PS ELEC ASSEMBLY
2	10-20289	ASSY, 10" P/S TOP CLAMP RECEIVER
3	10-22554	ATTACH, RH, MKX/X130 LGPS
4	10-22553	MANUAL JACK ATTACH, MKX/X130 LGPS
5	10-22562	SHORT X-ARM, RH, LGPS
6	10-22564	SHORT X-ARM, LH, LGPS
7	10-22740	MKX/X100 HOSE CLAMP
8	10-19801	10" HALF CLAMP
9	10-27235	10" HITCH RING
10	10-22555	JACK, MANUAL, LANDING GEAR PS
11	10-20138	MOTOR, 12V DC
12	10-20168	WIRE HARNESS - CONTACTOR TO MOTOR
13	10-22582	WIRE ASSY CONTACTOR/QUICK CONNECT
14	10-20154	10" TOP CLAMP W.A. RC - POWERSWING
15	10-20178	COVER, PS RECEIVER ARMOR - POWERSWING
16	10-20135	RECEIVER
17	10-20136	CONTACTOR
18	10-20134	TRANSMITTER
19	10-20137	POWERSWING 5 BOLT WHEEL ASSEMBLY
20	10-20166	ASSY HUB, W/ BUSHING
21	10-20524	ANTENNA
22	10-22164	CHAIN GUARD, LANDING GEAR
23	10-20210	50B12 X 3/4 SPROCKET
24	10-19133	#50-1R X 37P ROLLER CHAIN
25	10-19134	#50 CONNECTOR LINK
26	10-22168	PIN, LANDING GEAR
27	10-27815	BOLT, 5/8" X 4" NC PLTD
28	10-20169	WIRE ASSY BATTERY TO QUICK CONNECT
29	10-22187	SLIDER BUSHING, LANDING GEAR
30	10-19776	BUSHING, 1-1/4"
31	10-20268	5/8 X 1/2 INSULATED CLAMP
32	10-29998	LYNCH PIN 3/16 X 1-1/4 Y.ZINC PLTD
33	10-19274	#14 X 5/8" SMS AB GR 5 PLTD
34	10-20565	1/2" X 1" WHEEL BOLT (BLACK)
35	10-18698	7/16" X 1-1/4" NC BOLT GR 8 PLTD
36	9900564	1/2" X 5" UNC BOLT GR5 PLTD
37	10-19540	3/8" X 3/4" NC BOLT GR5 PLTD
38	10-19988	1/4" X 1" NC BOLT GR2 PLTD
39	10-19979	3/4" FLAT WASHER PLTD
40	10-17651	1-1/4" RIM WASHER
41	10-17401	1/2" FLAT WASHER PLTD
42	10-17593	7/16" NC NYLON LOCKNUT GR5 YLW PLTD
43	10-19599	1/2" NC NYLON LOCKNUT GR 2 PLTD
44	9900800	1/4" X 3/4" NC BOLT GR5 PLTD
45	10-28449	1/4" NC NYLON LOCKNUT PLTD
46	10-19600	LOCKNUT, 5/8"
47	9900783	1/4" LOCK WASHER
48	10-19604	3/8" LOCK WASHER
49	10-17392	3/8" FLAT WASHER
50	05-A363	MKX100 LANDING GEAR PS, ELECTRIC

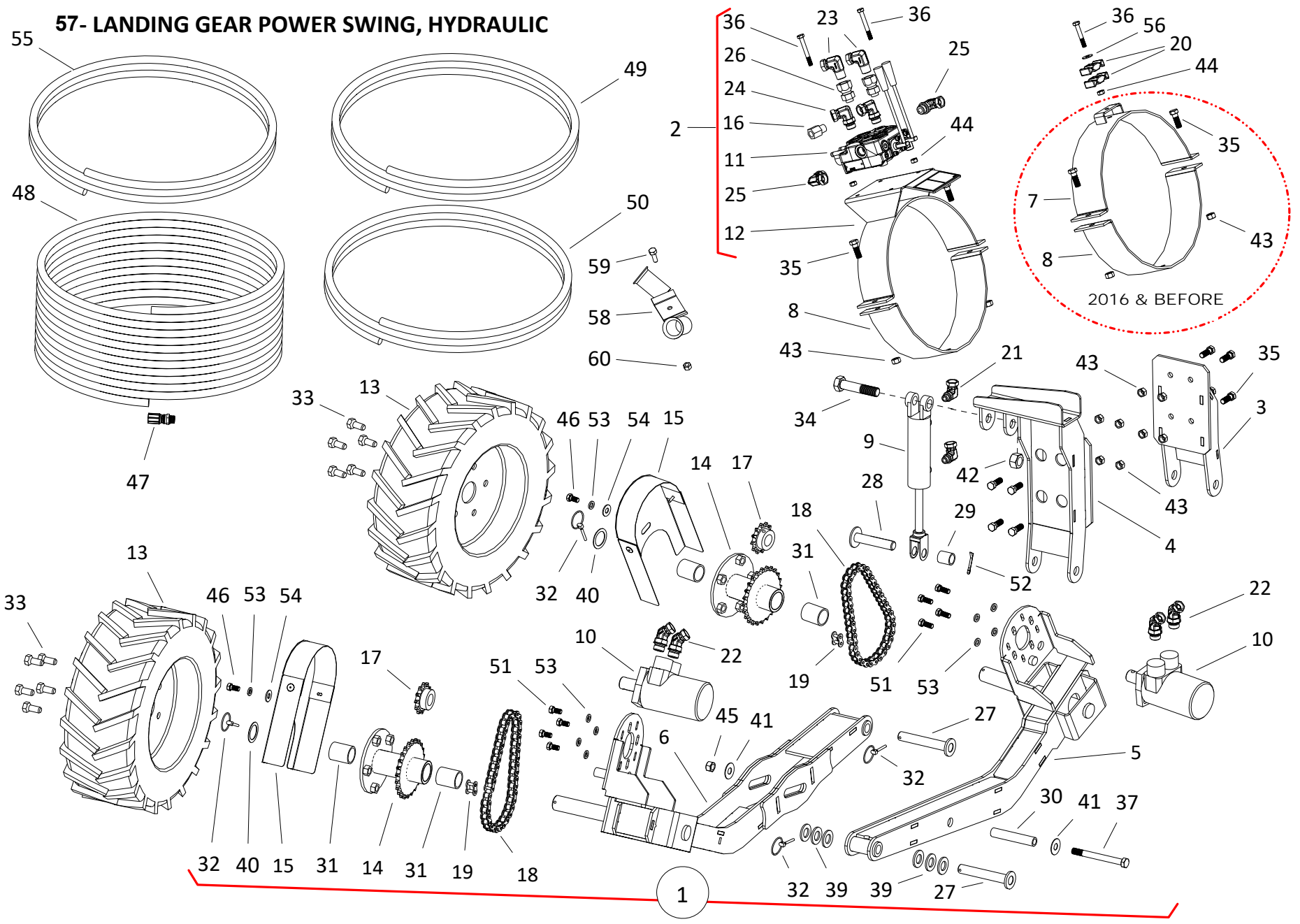
HYDRAULIC POWER SWING-10" (A270)



HYDRAULIC POWER SWING-10" (A270)

ITEM	PART NO.	DESCRIPTION
1	10-17710	3/8" X 38" HYDRAULIC HOSE
2	10-17711	3/8" X 173" HYDRAULIC HOSE
3	10-20137	16 X 6.5 5 BOLT WHEEL ASSM
4	10-18698	7/16" X 1-1/4" BOLT GR 8
5	10-20565	1/2" X 1" WHEEL BOLT (BLACK)
6	10-19598	7/16" NYLON LOCKNUT GR 2
7	10-20270	HYD PS AXLE AS SHIPPED
8	10-20166	ASSY HUB, W/ BUSHING
9	10-22006	HYDRAULIC VALVE W/ FITTINGS
10	10-20180	GUARD, POWERSWING
11	10-20179	JACK, POWERSWING
12	10-27235	10" HITCH RING
13	10-17696	MK100 PS HOSE CLIP HALF CLAMP
13	10-19801	W100 HALF CLAMP
14	10-20174	PLATE, PARALLEL BAR - POWERSWING
15	10-17675	HYDRAULIC VALVE ONLY
16	10-17699	X115 1/2" STREET ELBOW
17	10-17706	10" POWER SWING VALVE BRACKET
18	10-20173	AXLE ASSY, POWER SWING
19	10-20892	PIVOT - POWERSWING
20	10-20272	HYD SPOOL LIMITER
21	10-27588	5/8" SERRATED FLANGE NUT
22	10-20291	10" BOTTOM CLAMP - POWERSWING
23	10-19590	5/8" X 1-1/2" BOLT GR 8
24	10-19542	7/16" X 1" NC BOLT GR5 PLTD
25	10-17651	1-1/4" RIM WASHER
26	10-17757	3/16" X 1-3/4" COTTER PIN PLTD
27	10-18096	5/8" RIM WASHER
28	10-19600	5/8" NC LOCKNUT
29	10-29894	50C15 X 5/8" IDLER SPROCKET
30	10-20246	HYDRAULIC MOTOR
31	10-19134	#50 CONNECTOR LINK (NOT SHOWN)
31	10-20515	#50 ROLLER CHAIN
32	10-20163	BOLT, 5/8 X 6" GR5
33	10-20164	BOLT, 5/8 X 7-1/2" GR8
34	10-17712	5/16" X 1-3/4" BOLT GR5
35	10-19980	5/16" NYLON LOCKNUT
36	10-19540	3/8" X 3/4" BOLT GR5
37	10-17392	3/8" FLAT WASHER
38	10-18955	3/8" X 1" BOLT GR5
39	10-17392	3/8" FLAT WASHER
40	10-20180	GUARD, CURVED P/S
41	10-19274	#14 X 5/8" SHEET METAL SCREW
42	10-20211	50B12 X 1 SPROCKET
44	10-20895	PS ADJUST PIN
45	10-19463	HAIRPIN 7/16" X 3/4", 1/8" DIA.
46	10-27411	REDUCER BUSHING
47	10-27590	POWERSWING VALVE HANDLE KIT

57- LANDING GEAR POWER SWING, HYDRAULIC

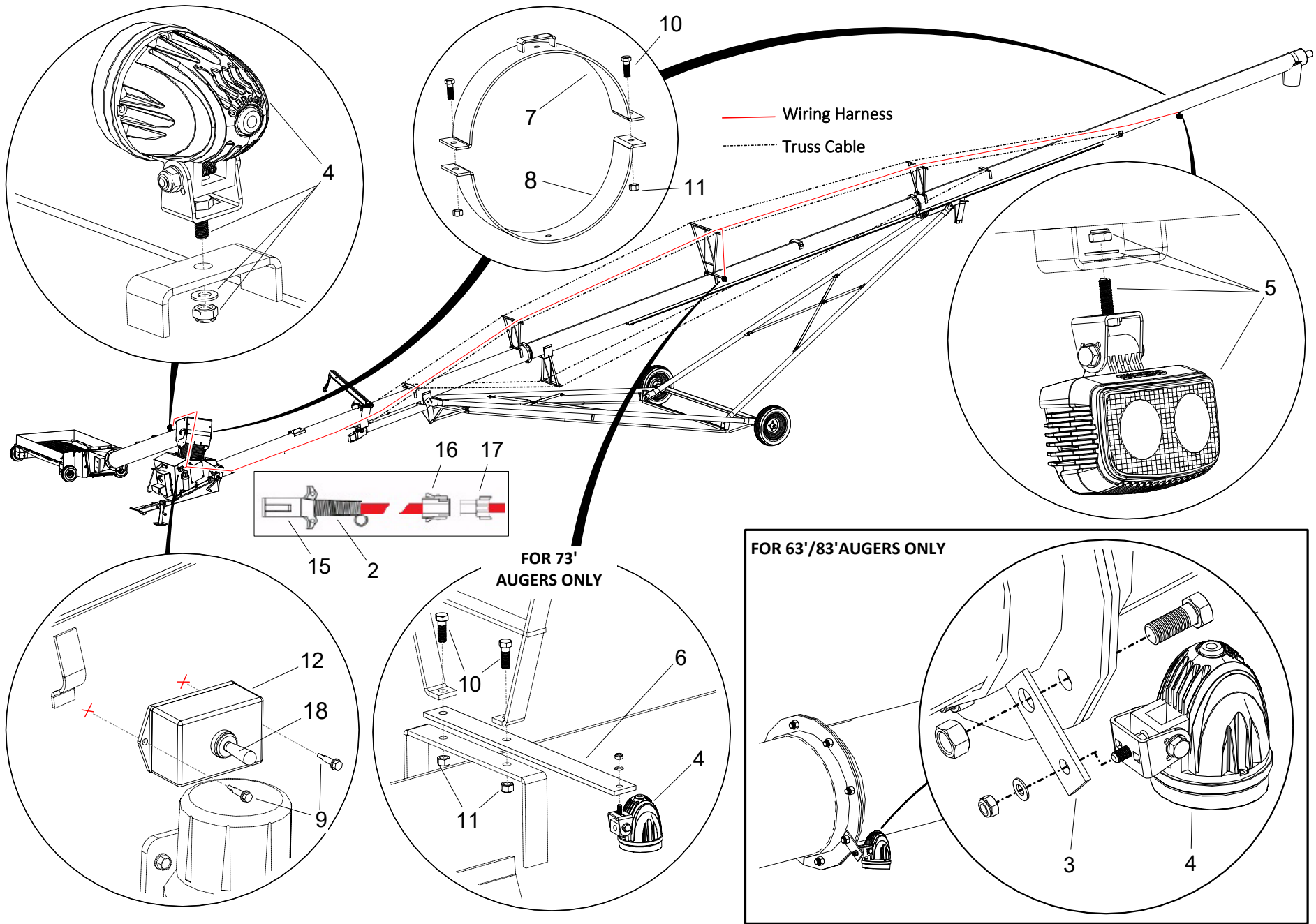


HYDRAULIC LANDING GEAR POWER SWING - 10" (A362)

ITEM	PART NO.	DESCRIPTION
1	10-22560	LANDING GEAR PS HYD ASSEMBLY
2	10-23082	2-SPOOL VALVE ASSY, LANDING GEAR PS, 10"
3	10-22554	ATTACH, RH, MKX/X130 LGPS
4	10-22559	HYD CYLINDER ATTACH, MKX/X130 LGPS
5	10-22562	SHORT X-ARM, RH, LGPS
6	10-22564	SHORT X-ARM, LH, LGPS
7	10-22740	HOSE CLAMP
8	10-19801	10" HALF CLAMP
9	10-22161	1-1/2 X 8 HYDRAULIC CYLINDER
10	10-20246	PS HYD MOTOR, 17.9 CU IN
11	10-22548	2 SPOOL VALVE, 8 GPM
12	10-23081	2-SPOOL VALVE MOUNT, LGPS
13	10-20137	POWERSWING 5 BOLT WHEEL ASSEMBLY
14	10-20166	ASSY HUB, W/ BUSHING
15	10-22164	CHAIN GUARD, LANDING GEAR
16	10-22746	ORIFICE, 3/8" MALE X 3/8" FEMALE
17	10-20211	50B12 X 1 SPROCKET
18	10-19133	#50-1R X 37P ROLLER CHAIN
19	10-19134	#50 CONNECTOR LINK
20	10-28732	LINE BLOCK
21	10-22191	STEEL ELBOW 6MORB X 3/8 NSPM
22	10-22556	ADAPTER, 45 DEG, #10MORB X #6FNPSM
23	10-22557	STEEL ELBOW, 8MNPT X 6FNPSM
24	10-22558	STEEL ELBOW, 8MORB X 6FNPSM
25	10-28654	STEEL ELBOW 90DEG, 8MORB X 8FNPSM
26	10-28477	STEEL FITTING, 8MORB X 1/2FNPSM
27	10-22168	PIN, LANDING GEAR
28	10-22577	PIN, LGPS CYLINDER ATTACH
29	10-22578	SPACER SLEEVE, LGPS CYL ATTACH
30	10-22187	SLIDER BUSHING, LANDING GEAR
31	10-19776	BUSHING, 1-1/4"
32	10-29998	LYNCH PIN 3/16 X 1-1/4 Y.ZINC PLTD
33	10-20565	1/2" X 1" WHEEL BOLT (BLACK)
34	10-20398	3/4" X 3-1/2" NC BOLT GR 5 PLTD
35	10-18698	7/16" X 1-1/4" NC BOLT GR 8 PLTD
36	10-17631	5/16" X 2-1/2" NC BOLT GR 2 PLTD
37	9900564	1/2" X 5" UNC BOLT GR5 PLTD
39	10-19979	3/4" FLAT WASHER PLTD
40	10-17651	1-1/4" RIM WASHER
41	10-17401	1/2" FLAT WASHER PLTD
42	10-19601	3/4" NC NYLON LOCKNUT PLTD
43	10-17593	7/16" NC NYLON LOCKNUT GR5 YLW PLTD
44	10-19980	5/16" NC NYLON LOCKNUT PLTD
45	10-19599	1/2" NC NYLON LOCKNUT GR 2 PLTD
46	10-19540	3/8" X 3/4" NC BOLT GR 5 PLTD
47	9900047	PIONEER COUPLER
48	10-29368	1/2" X 247" HYDRAULIC HOSE
49	10-29414	3/8" X 46" HYDRAULIC HOSE
50	10-28229	3/8" X 50" HYDRAULIC HOSE
51	10-18955	3/8" X 1" NC BOLT GR 5 PLTD

HYDRAULIC LANDING GEAR POWER SWING - 10" (A362)

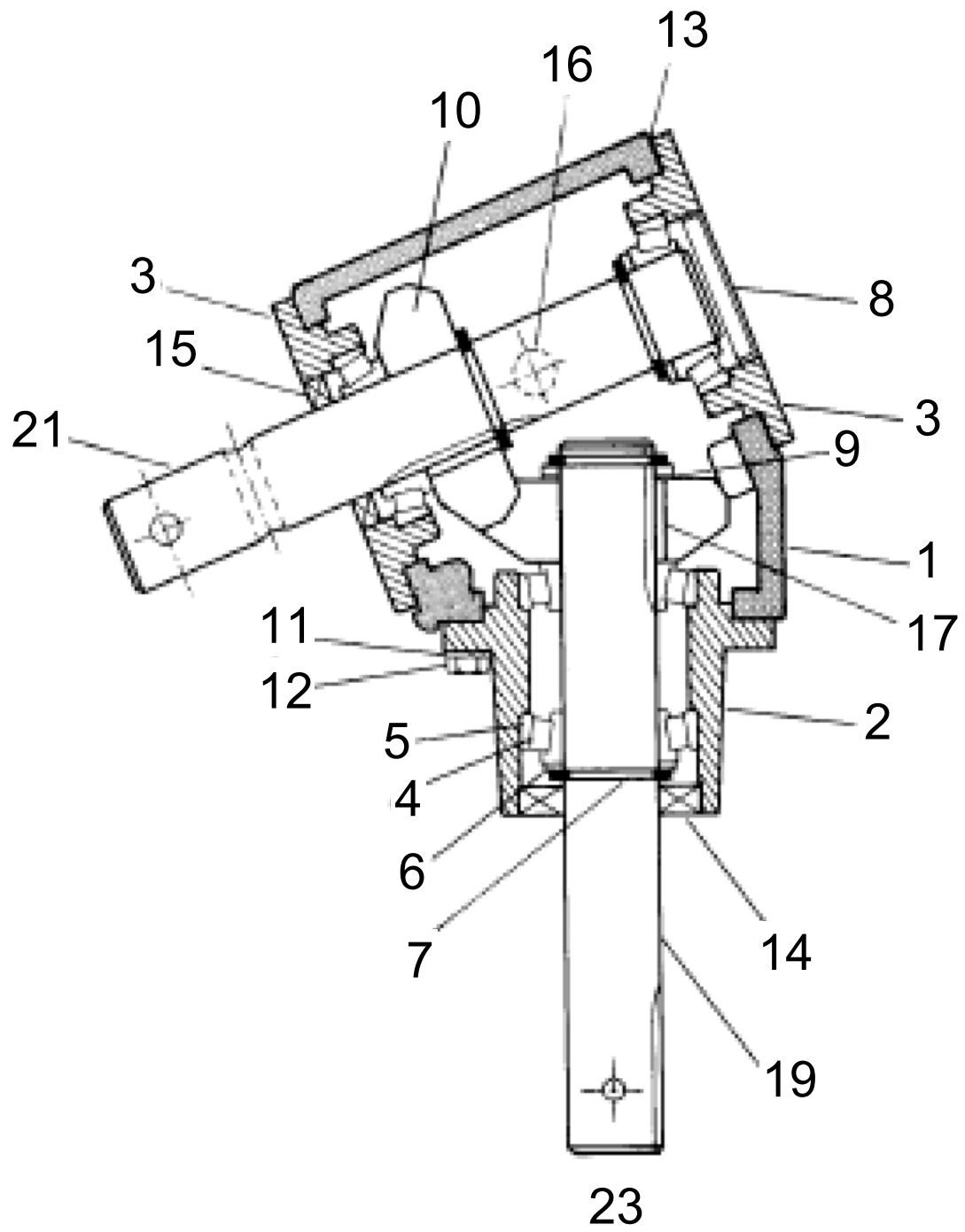
ITEM	PART NO.	DESCRIPTION
52	10-18155	COTTER PIN, 3/16" x 1-1/4"
53	10-19604	3/8" LOCK WASHER
54	10-17392	3/8" FLAT WASHER
55	10-22744	3/8" X 80" HYDRAULIC HOSE
56	10-27336	5/16" FLAT WASHER
57	05-A362	MKX100 LANDING GEAR PS, HYD
58	10-17467	MK91 DOUBLE HOSE HOLDER
59	10-29246	3/8" X 1" GR8 SHEAR BOLT
60	10-17402	3/8" NC NYLON LOCKNUT PLTD



WORK LIGHT KIT, 63 (A348) | 73 (A350) | 83 (A352)

ITEM	PART NO.	DESCRIPTION
1	10-22695	WORK LIGHT HARNESS, 63
1	10-22696	WORK LIGHT HARNESS, 73
1	10-22697	WORK LIGHT HARNESS, 83
2	10-22687	TRACTOR PLUG EXTENSION HARNESS
3	10-22286	TRANSPORT CHAIN LUG
4	10-22394	MINI FLOOD LAMP, LEDWD-1L10 (INCLUDES HARDWARE)
5	10-22395	FLOOD LAMP, LEDWD-2L20 (INCLUDES HARDWARE)
6	10-22712	LIGHT BRACKET, 1073
7	10-22740	MKX100 HOSE ATTACH
8	10-19801	HALF CLAMP, 10"
9	10-22396	8-18 X 3/4" TEK SCREW
10	10-18698	BOLT, 7/16" X 1-1/4"
11	10-19598	LOCKNUT, 7/16"
12	10-22399	SWITCH BOX ONLY
13	10-22427	LEAD CONNECTOR, DEUTSCH DT06-2S (NOT SHOWN)
14	10-22446	BUSS AGC 20A FUSE (NOT SHOWN)
15	10-28665	7 PIN HIGHWAY TRACTOR CONNECTOR
16	10-23124	8 WAY PLUG, AT06-08SA
17	10-23125	8 WAY RECEPTACLE, AT04-08PA
18	10-24355	WEATHERPROOF TOGGLE SWITCH
19	10-23126	WEATHER PACK TOWER, 6 POS (NOT SHOWN)
20	10-23127	WEATHER PACK SHROUD, 6 POS (NOT SHOWN)
21	10-23128	DEUTSCH 2 WAY CAP, 1011-344-0205 (NOT SHOWN)
22	05-A348	MKX1063 WORK LIGHT KIT
22	05-A350	MKX1073 WORK LIGHT KIT
22	05-A352	MKX1083 WORK LIGHT KIT

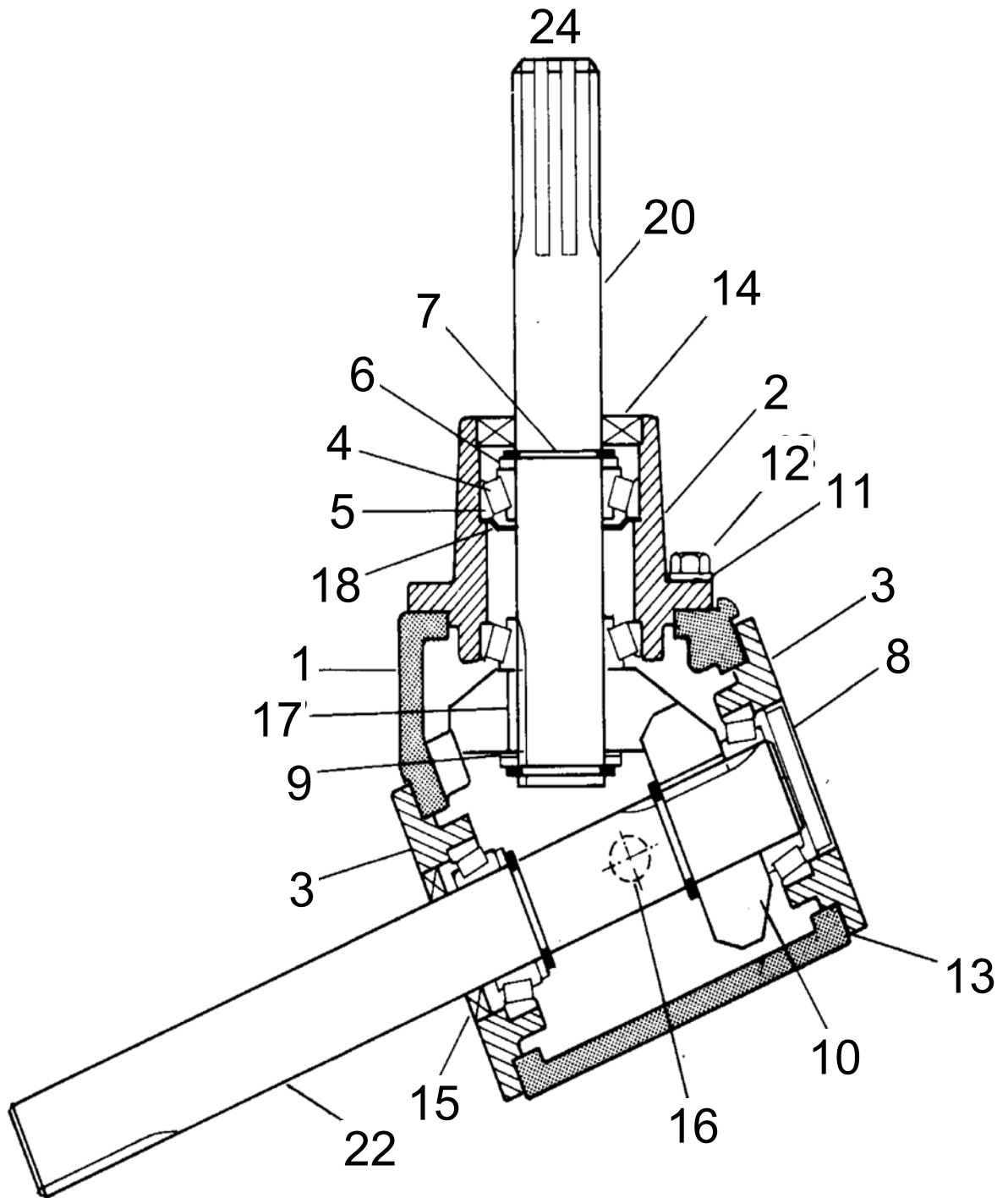
UPPER GEARBOX (18849)



UPPER GEARBOX (18849)

ITEM	PART NO.	DESCRIPTION
1	10-18959	HOUSING
2	10-18960	QUILL
3	10-18961	END CAP
4	10-19265	BEARING CONE TIMKEN # LM 67048
5	10-19266	BEARING CUP TIMKEN # LM 67010
6	10-18426	SPACER
7	10-18962	SNAP RING
8	10-18963	EXPANSION PLUG
9	10-18411	.007SHIM(1.25" I.D.)
10	10-18964	GEAR
11	10-19603	LOCKWASHER, 5/16"
12	10-19538	CAP SCREW, 5/16" - 18 x 3/4"
13	10-18390	.005 SHIM
14	10-18427	SEAL, NATIONAL # 471808, CR# 12614
15	10-18403	SEAL, NATIONAL # 470163, CR# 12458
16	10-18393	1/4 NPT PIPE PLUG
17	10-18380	SQUARE KEY
19	10-18967	PINION SHAFT, UPPER GEARBOX ONLY
21	10-18972	CROSS SHAFT, UPPER GEARBOX ONLY
23	10-18849	UPPER GEARBOX, COMPLETE

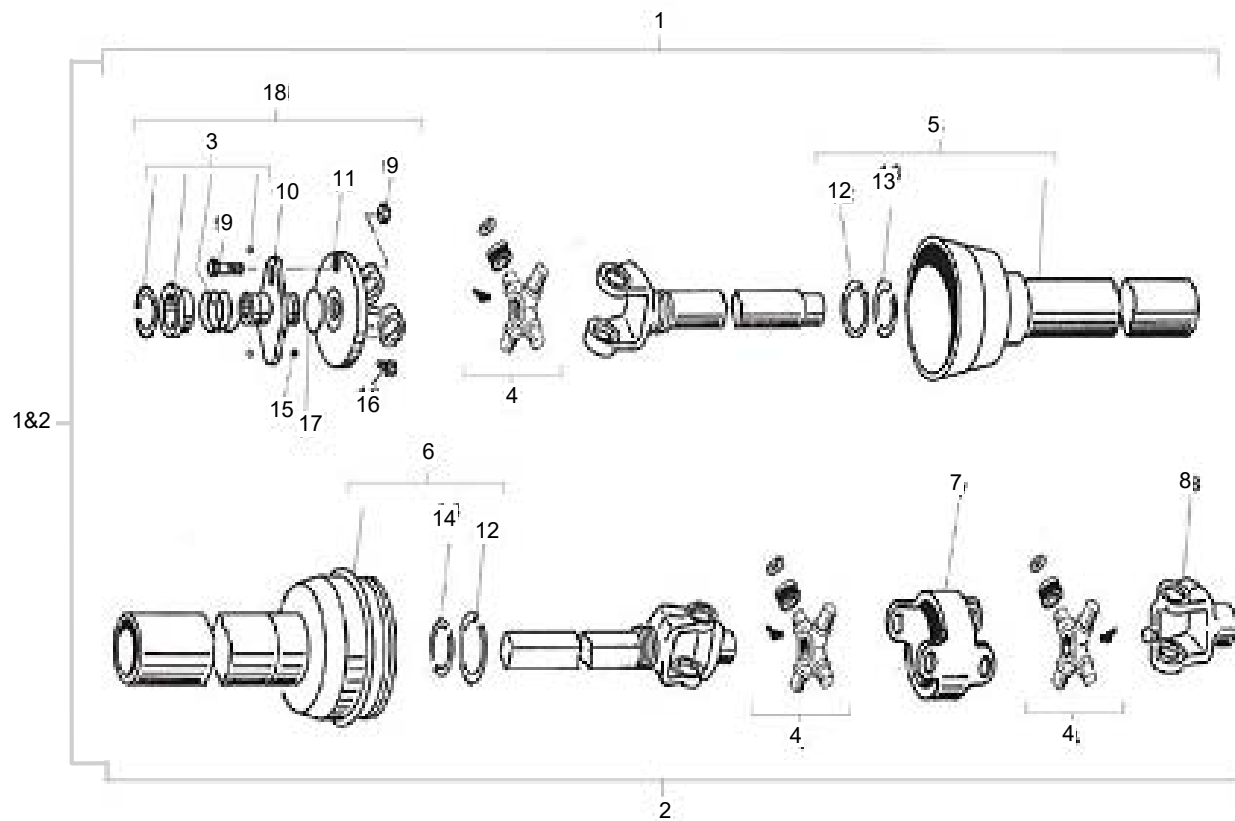
LOWER GEARBOX (21549)



LOWER GEARBOX (21549)

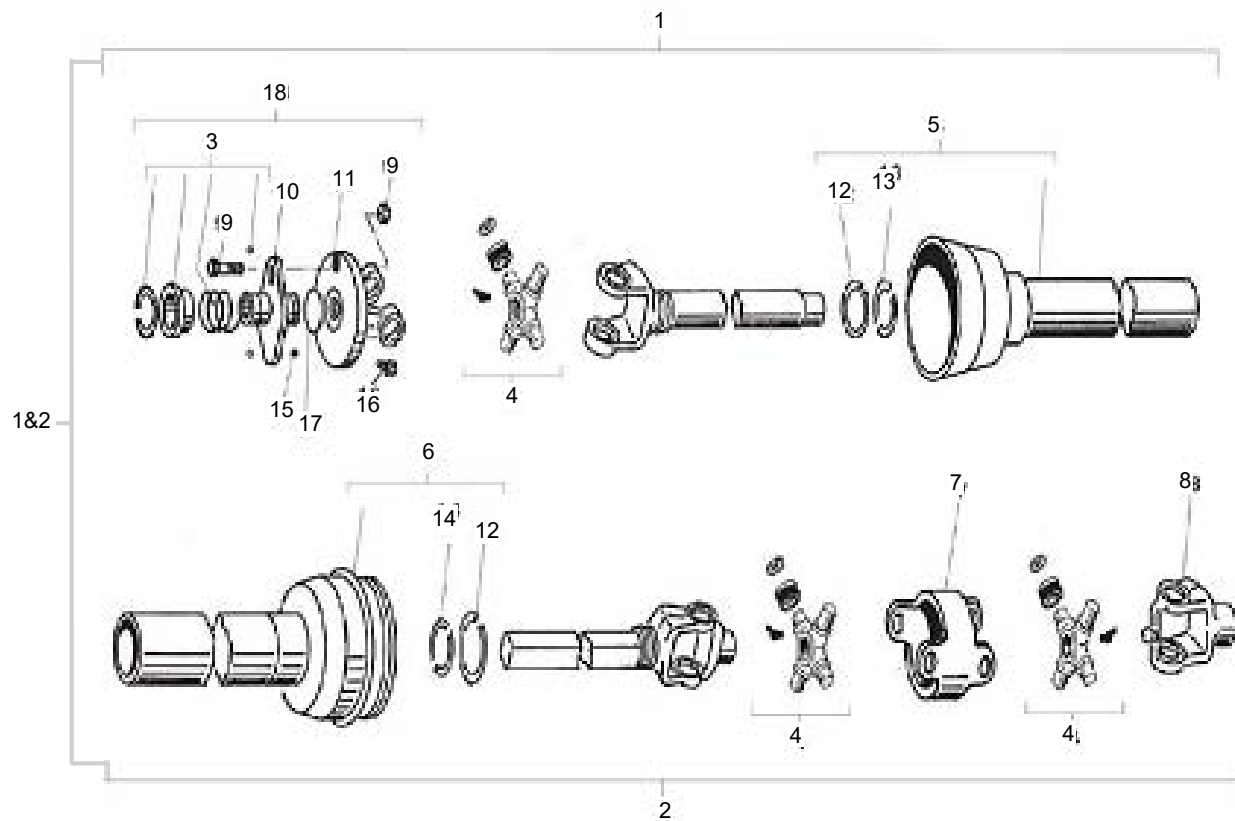
ITEM	PART NO.	DESCRIPTION
1	10-18959	HOUSING
2	10-18960	QUILL
3	10-18961	END CAP
4	10-19265	BEARING CONE TIMKEN # LM 67048
5	10-19266	BEARING CUP TIMKEN # LM 67010
6	10-18426	SPACER
7	10-18962	SNAP RING
8	10-18963	EXPANSION PLUG
9	10-18411	.007SHIM(1.25" I.D.)
10	10-18964	GEAR
11	10-19603	LOCKWASHER, 5/16"
12	10-19538	CAP SCREW, 5/16" - 18 x 3/4"
13	10-18390	.005 SHIM
14	10-18427	SEAL, NATIONAL # 471808, CR# 12614
15	10-18403	SEAL, NATIONAL # 470163, CR# 12458
16	10-18393	1/4 NPT PIPE PLUG
17	10-18380	SQUARE KEY
18	10-18965	GREASE WASHER, LOWER GEARBOX ONLY
20	10-18970	PINION SHAFT, LOWER GEARBOX ONLY
22	10-21938	CROSS SHAFT, LOWER GEARBOX ONLY
24	10-21549	LOWER GEAR BOX, COMPLETE

CONSTANT VELOCITY PTO SHAFT (18484)



ITEM	PART NO.	DESCRIPTION
1	10-18456	1/2 PTO SHAFT, TRACTOR END
1&2	10-18484	COMPLETE PTO SHAFT
2	10-18457	1/2 PTO SHAFT, IMPLEMENT END
3	10-18458	SPRING LOCK REPAIR KIT
4	10-18459	UNIVERSAL JOINT REPAIR KIT
5	10-18460	PLASTIC SHIELD C/W REFERENCE NO. 12 & 13, TRACTOR END
6	10-18461	PLASTIC SHIELD C/W REFERENCE NO. 12 & 14, IMPLEMENT END
7	10-18462	CV CENTRE HOUSING
8	10-18463	END YOKE
9	10-17126	BOLT AND LOCKNUT, 5/16 - 18 x 1", GRADE 8
12	10-18467	RETAINER RING
13	10-18468	NYLON BEARING
14	10-18468	NYLON BEARING
15	10-18470	BALL BEARING KIT
16	10-19995	BOLT, 3/8" - 16 X 1/2", GR5
17	10-18485	BLANK DISC
18	10-18363	SHEAR ASSEMBLY

CONSTANT VELOCITY PTO SHAFT (27481)



ITEM	PART NO.	DESCRIPTION
1&2	10-27481	COMPLETE PTO SHAFT
1	10-27592	1/2 PTO SHAFT, TRACTOR END
2	10-27593	1/2 PTO SHAFT, IMPLEMENT END
3	10-18270	SPRING LOCK REPAIR KIT
4	10-18271	UNIVERSAL JOINT REPAIR KIT
5	10-27596	PLASTIC SHIELD C/W REFERENCE NO. 12 & 13, TRACTOR END
6	10-27595	PLASTIC SHIELD C/W REFERENCE NO. 12 & 14, IMPLEMENT END
7	10-18274	CV CENTRE HOUSING
8	10-27594	END YOKE
9	10-17126	BOLT AND LOCKNUT, 5/16 - 18 x 1", GRADE 8
12	10-18467	RETAINER RING
13	10-18468	NYLON BEARING
14	10-18441	NYLON BEARING
15	10-18470	BALL BEARING KIT
16	10-19995	BOLT, 3/8" - 16 X 1/2", GR5
17	10-18485	BLANK DISC
18	10-27597	SHEAR ASSEMBLY



P.O. Box 39

Rosenort, Manitoba, R0G 1W0 Canada

Phone: (866) 467-7207 (Canada & USA) or (204) 746-2396

Fax: (866) 768-4852

website: www.grainaugers.com

email: sales@grainaugers.com

© Ag Growth International Inc. 2020

Printed in Canada



MKX130 SERIES AUGER, GULP2 HOPPER & MKX-TEND

PARTS MANUAL

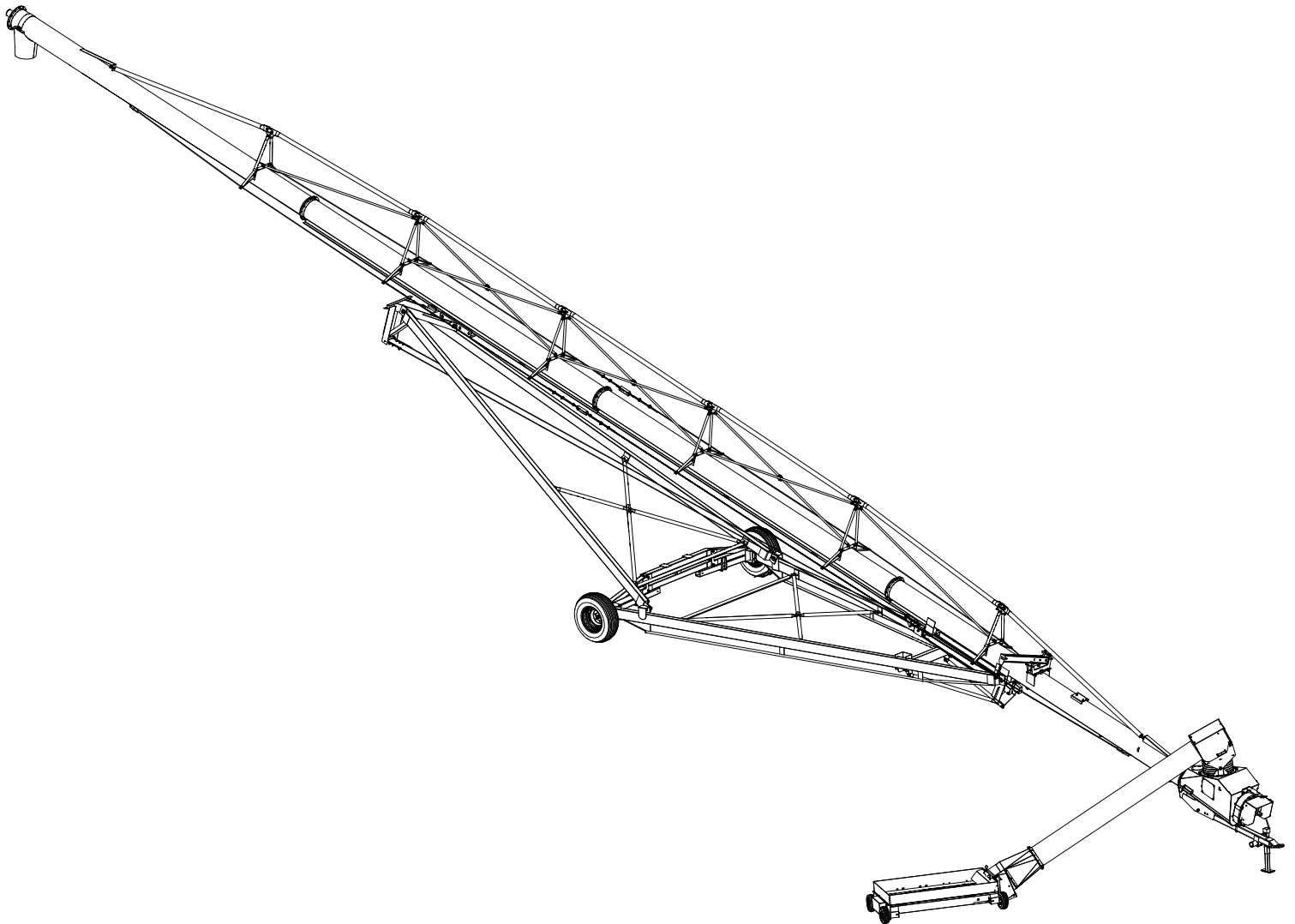


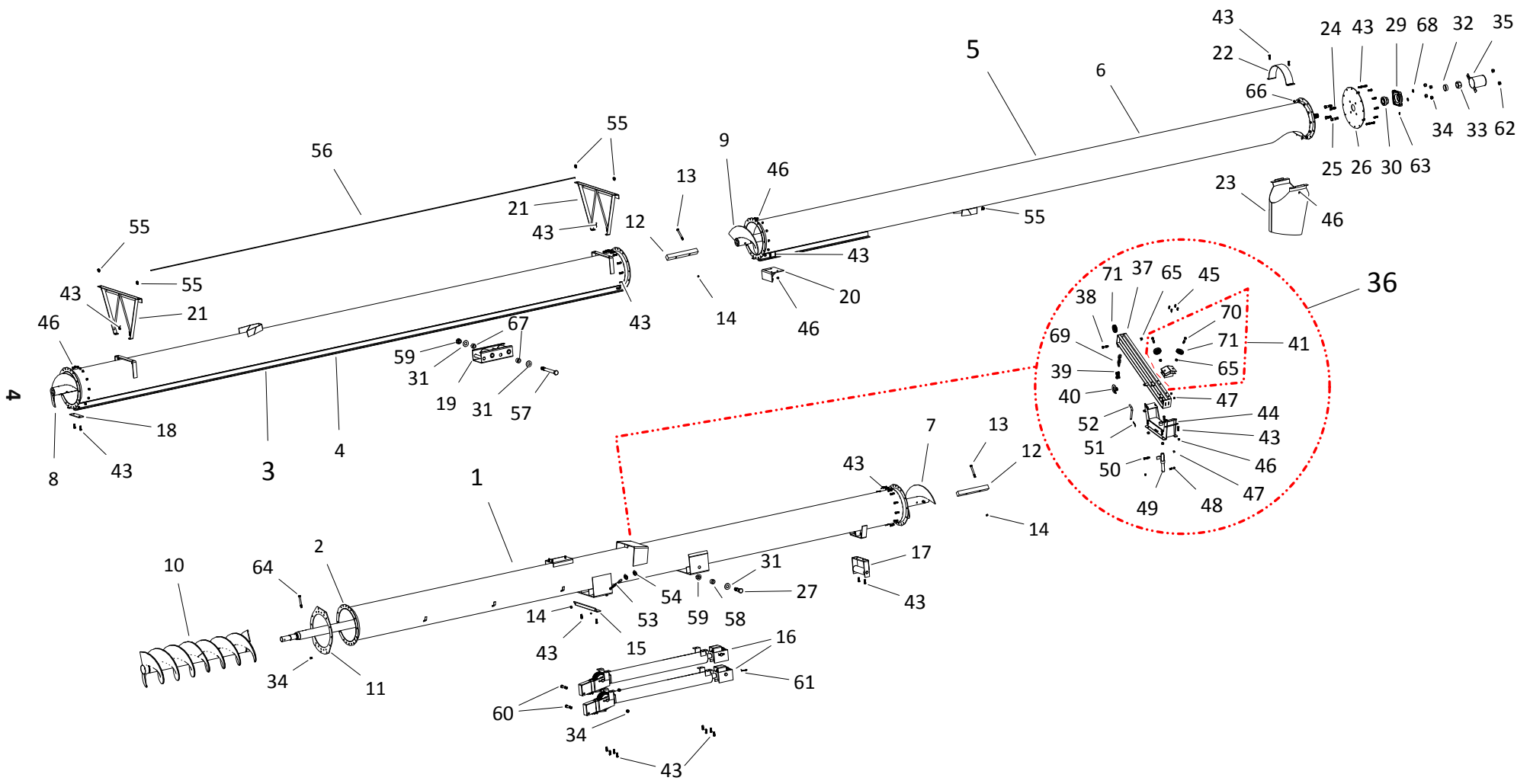
TABLE OF CONTENTS

DESCRIPTION	PAGE
MKX130-64 TUBES & TRUSS COMPONENTS	4
MKX130-74 TUBES & TRUSS COMPONENTS	8
MKX130-64 FRAME COMPONENTS	12
MKX130-74 FRAME COMPONENTS	14
MKX130-64 HYDRAULIC HOSE COMPONENTS	16
MKX130-74 HYDRAULIC HOSE COMPONENTS	17
MKX130-84 TUBES & TRUSS COMPONENTS (SN: 248752-255999)	18
MKX130-84 TUBES&TRUSS COMPONENTS (SN: 256000+)	22
MKX130-94 TUBES & TRUSS COMPONENTS (SN: 248752-255999)	26
MKX130-94 TUBES&TRUSS COMPONENTS (SN: 256000+)	30
MKX130-114 TUBES & TRUSS COMPONENTS (SN: 248752-255999)	34
MKX130-114 TUBES&TRUSS COMPONENTS (SN: 256000+)	38
MKX130-84 FRAME COMPONENTS	42
MKX130-94 FRAME COMPONENTS	46
MKX130-114 FRAME COMPONENTS	50
MKX130-84 HYDRAULIC HOSE COMPONENTS	54
MKX130-94 HYDRAULIC HOSE COMPONENTS	55
MKX130-114 HYDRAULIC HOSE COMPONENTS	56
MKX130 BOOT	58
MKX130 SWING TUBE	62
GULP2 SWING TUBE	64
MKX130 HOPPER	68
A262 SPEED REDUCER	70
A266 HYDRAULIC WINCH	72
A335 HYDRAULIC VALVE	74
A263 REVERSER	76
A264 ELECTRIC POWER SWING-13"	78
A334 ELECTRIC LANDING GEAR POWER SWING - 13"	80
A265 HYDRAULIC POWER SWING-13"	82
A333 HYDRAULIC LANDING GEAR POWER SWING - 13"	84
A267 RIGHT ANGLE DRIVE KIT	88
GULP2 HOPPER	90
GULP2 HOPPER (2017)	94
GULP2 PARTS	100
GULP2 HYDRAULIC LINES	104
MKX-TEND ASSEMBLY [A383]	106

TABLE OF CONTENTS

DESCRIPTION	PAGE
MKX-TEND COLLECTOR	110
MKX-TEND HOPPER	114
MKX-TEND POWER SWING	118
MKX-TEND PARTS	120
MKX-TEND HYDRAULIC LINES	124
MKX-TEND GEARBOX	126
VALVE (22839)	128
MKX130 UPPER GEARBOX (27560)	130
MKX130 LOWER GEARBOX (29085)	131
MKX130-64 & 74, CONSTANT VELOCITY PTO SHAFT (WEASLER)	132
MKX130-84, 94 & 114 CONSTANT VELOCITY PTO SHAFT (WEASLER)	133
WORK LIGHT KIT (MKX130-64 & 74)	134
WORK LIGHT KIT (MKX130-84, 94 & 114)	136

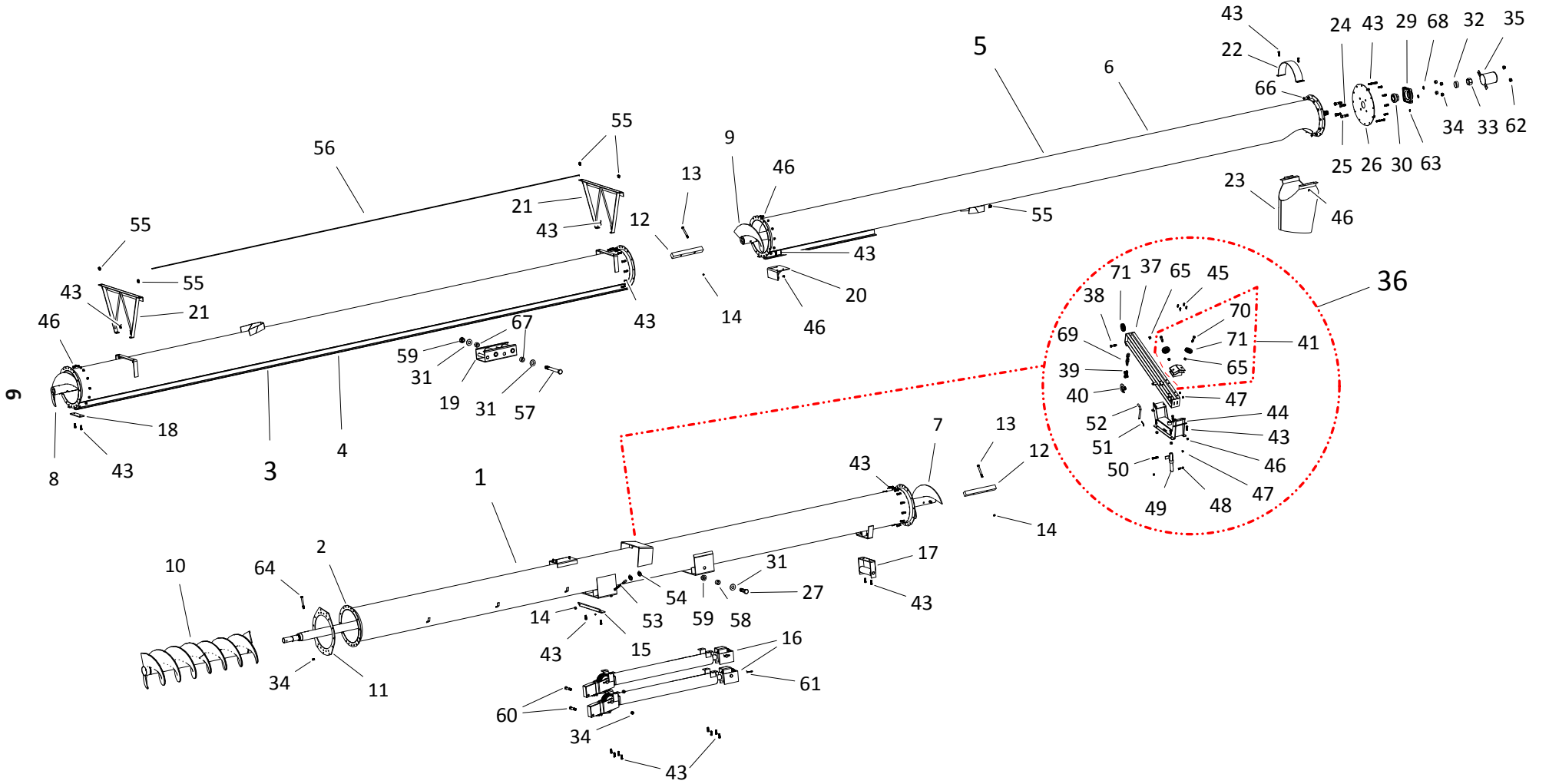
MKX130-64 TUBES & TRUSS COMPONENTS



MKX130-64 TUBES & TRUSS COMPONENTS

ITEM	PART NO.	DESCRIPTION
1	10-20196	MKX130-64 Lower Tube Bundle
2	10-20195	MKX130-64 Lower Tube Only
3	10-20202	MKX130-64/74 Upper Middle Tube Bundle
4	10-20201	MKX130-64/74 Upper Middle Tube Only
5	10-20204	MKX130-64/74 Upper Tube Bundle
6	10-20203	MKX130-64/74 Upper Tube Only
7	10-29989	X13 Lower Flight
8	10-29987	X13 Middle Flight
9	10-29986	X13 Upper Flight
10	10-29964	Boot Flight
11	10-29999	Boot Tube Attach Plate
12	10-29985	X13 Flight Connecting Shaft
13	10-18947	1/2" X 4" GR8 Bolt
14	10-17750	1/2" Locknut GR5
15	10-18989	Truss Cable Attach Bracket
16	10-18034	MK-61 Cylinder Assembly
17	10-17024	MKX130 Cable Roller
18	10-17003	Lower Track Stop
19	10-17005	MK130 Track Shoe
20	10-17017	MK130 Track Stop
21	10-18988	Std. Truss Bracket
22	10-18987	13" Half Band
23	10-29308	13" Rolled Spout
24	10-18544	5/8" X 1-3/4" GR5 Bolt
25	10-27589	5/8" X 2-1/2" GR8 Bolt
26	10-29231	Upper Tube Endplate
27	10-17016	1" X 3-1/2" GR8 Bolt
28	10-17376	MK LP Hopper Cable (Not Shown)
29	10-18518	1-3/4" Bearing, With 4 Hole Flange
30	10-17527	1-3/4" Bearing, With Collar
31	10-17010	1" Flat Washer
32	10-21171	Thrust Adjuster Bushing
33	10-27587	1-1/2" Hex Nut, UNF
34	10-19600	5/8" Locknut GR5
35	10-27576	Thrust Adjuster Cover
36	10-20030	X13 Lift Arm Assembly
37	10-20028	X13 Lift Arm
38	10-17403	1/2" X 2-1/2" GR5 Bolt
39	10-20083	5/16" Midlink
40	10-28997	1/2" Eye Hoist With Latch
41	10-23134	Lift Arm Pulley Guide Assembly (2017)
43	10-18698	7/16" X 1-1/4" GR8 Bolt
44	10-20032	X13 Lift Arm Base
45	10-18955	3/8" X 1" NC BOLT GR 5 PLTD
46	10-17593	7/16" Locknut, GR5
47	10-17402	3/8" NC NYLON LOCKNUT PLTD
48	10-28450	3/8" X 1-3/4" GR5 Bolt
49	10-20031	X13 Lift Arm Swivel
50	10-27979	3/8" X 2" GR5 Bolt
51	10-19463	7/16" X 3/4" X 1/8" Hairpin

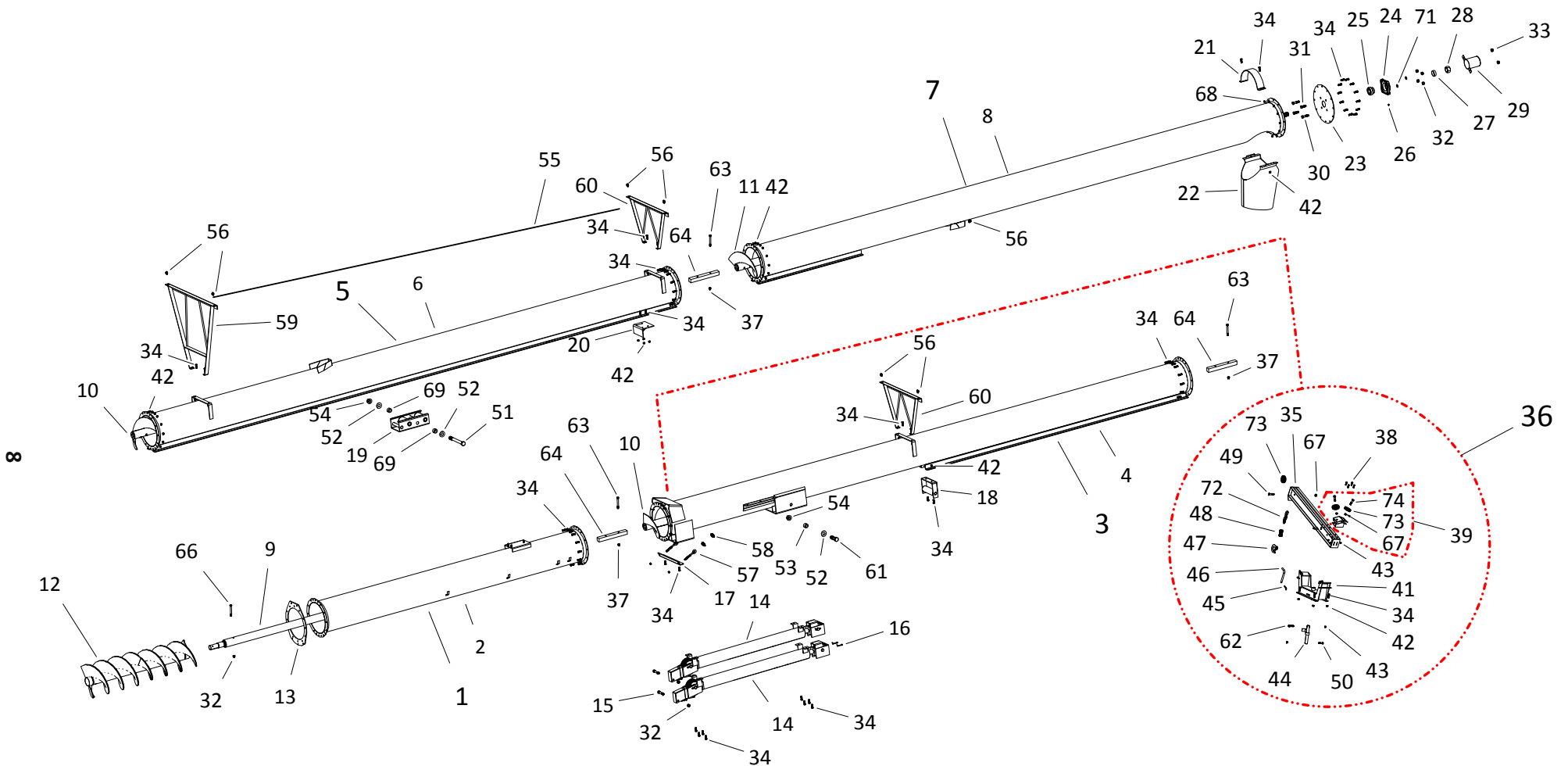
MKX130-64 TUBES & TRUSS COMPONENTS



MKX130-64 TUBES & TRUSS COMPONENTS

ITEM	PART NO.	DESCRIPTION
52	10-19648	Saddle Pin
53	10-19331	1/2" Eyebolt
54	10-18990	3/8" Cable Clamp
55	10-19333	5/16" Cable Clamp
56	10-17018	MKX130-64 Truss Cable
57	10-17015	1" X 10" GR8 Bolt
58	10-17022	Long Spacer Bushing
59	10-17019	1" Locknut
60	10-18093	5/8" X 3-1/2" GR5 Bolt
61	10-18098	1/4" X 1-3/4" Cotter Pin
62	10-27588	5/8" Flange Nut
63	10-19222	1/4" Fine Thread Zirk
64	10-17632	5/8" X 5-1/2" GR8 Bolt
65	10-19599	1/2" NC Nylon Locknut GR2 PLTD
66	10-19598	7/16" NC NYLON LOCKNUT GR 2 PLTD
67	10-17021	MKX Short Spacer Bushing
68	10-17262	5/8" Lockwasher Pltd.
69	10-21432	CHAIN, 5/16" GRADE 30 (4 LINKS)
70	9900560	1/2" X 2-1/4" NC BOLT GR 5 PLTD
71	10-21494	LIFT ARM PULLEY ASSEMBLY

MKX130-74 TUBES & TRUSS COMPONENTS

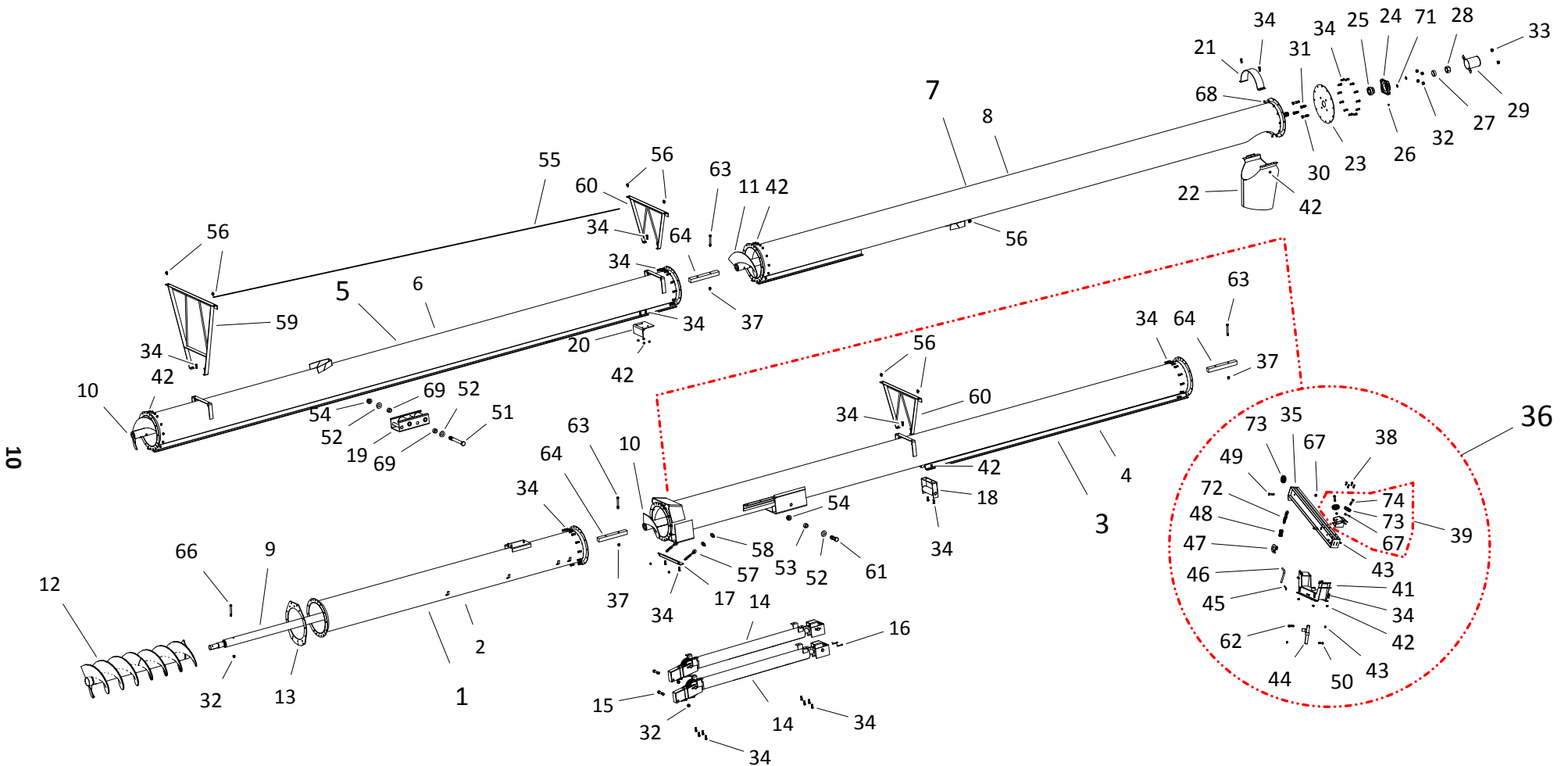


Note: GULP2 hopper bracket added to the lower middle tube in 2014. This part is backwards compatible with all previous models. Installing a new tube that includes the GULP2 hopper bracket does not necessarily make an auger GULP2 hopper compatible. Please call customer service for more information.

MKX130-74 TUBES & TRUSS COMPONENTS

ITEM	PART NO.	DESCRIPTION
1	10-20198	MKX130-74 Lower Tube Bundle
2	10-20197	MKX130-74 Lower Tube Only
3	10-20200	MKX130-74 Lower Middle Tube Bundle.
4	10-20199	MKX130-74 Lower Middle Tube Only
5	10-20202	MKX130-64/74 Upper Middle Tube Bundle
6	10-20201	MKX130-64/74 Upper Middle Tube Only
7	10-20204	MKX130-64/74 Upper Tube Bundle
8	10-20203	MKX-130-64/74 Upper Tube Only
9	10-20194	MKX130 Lower Flight
10	10-29987	X13 Middle Flight
11	10-29986	X13 Upper Flight
12	10-29964	X13 Boot Flight
13	10-29999	Boot Tube Attach Plate
14	10-18035	MK-71 Cylinder Assembly
15	10-18093	5/8" X 3-1/2" GR5 Bolt
16	10-18098	1/4" X 1-3/4" Cotter Pin
17	10-18989	Truss Cable Attach Bracket
18	10-17024	MK130 Cable Roller
19	10-17005	MK130 Track Shoe
20	10-17017	Mk130 Trackstop
21	10-18987	13" Half Band
22	10-29308	13" Rolled Spout
23	10-29231	Flight Bearing Mount Plate
24	10-18518	1-3/4" Bearing, with 4 hole Flange
25	10-17527	1-3/4" Bearing
26	10-19222	1/4" Fine Thread Zirk
27	10-21171	Thrust Adjuster Bushing
28	10-27587	1-1/2" UNF Hex Nut
29	10-27576	Thrust Adjuster Cover
30	10-27589	5/8" X 2-1/2" GR8 Bolt
31	10-18544	5/8" X 1-3/4" GR5 Bolt
32	10-19600	5/8" Locknut
33	10-27588	5/8" Flange Nut
34	10-18698	7/16" X 1-1/4" GR8 Bolt
35	10-20028	X13 Lift Arm
36	10-20030	X13 Lift Arm Assembly
37	10-17750	1/2" Locknut
38	10-18955	3/8" X 1" NC BOLT GR 5 PLTD
39	10-23134	Lift Arm Pulley Guide Assembly (2017)
41	10-20032	X13 Lift Arm Base
42	10-17593	7/16" Locknut, GR5
43	10-17402	3/8" NC NYLON LOCKNUT PLTD
44	10-20031	X13 Lift Arm Swivel
45	10-19463	7/16" X 3/4" X 1/8" Hairpin
46	10-19648	Saddle Pin
47	10-28997	1/2" Eye Hoist With Latch
48	10-20083	5/16" Midlink
49	10-17403	1/2" X 2-1/2" GR5 Bolt
50	10-28450	3/8" x 1-3/4" GR5 Bolt
51	10-17015	1" X 10" GR8 Bolt

MKX130-74 TUBES & TRUSS COMPONENTS

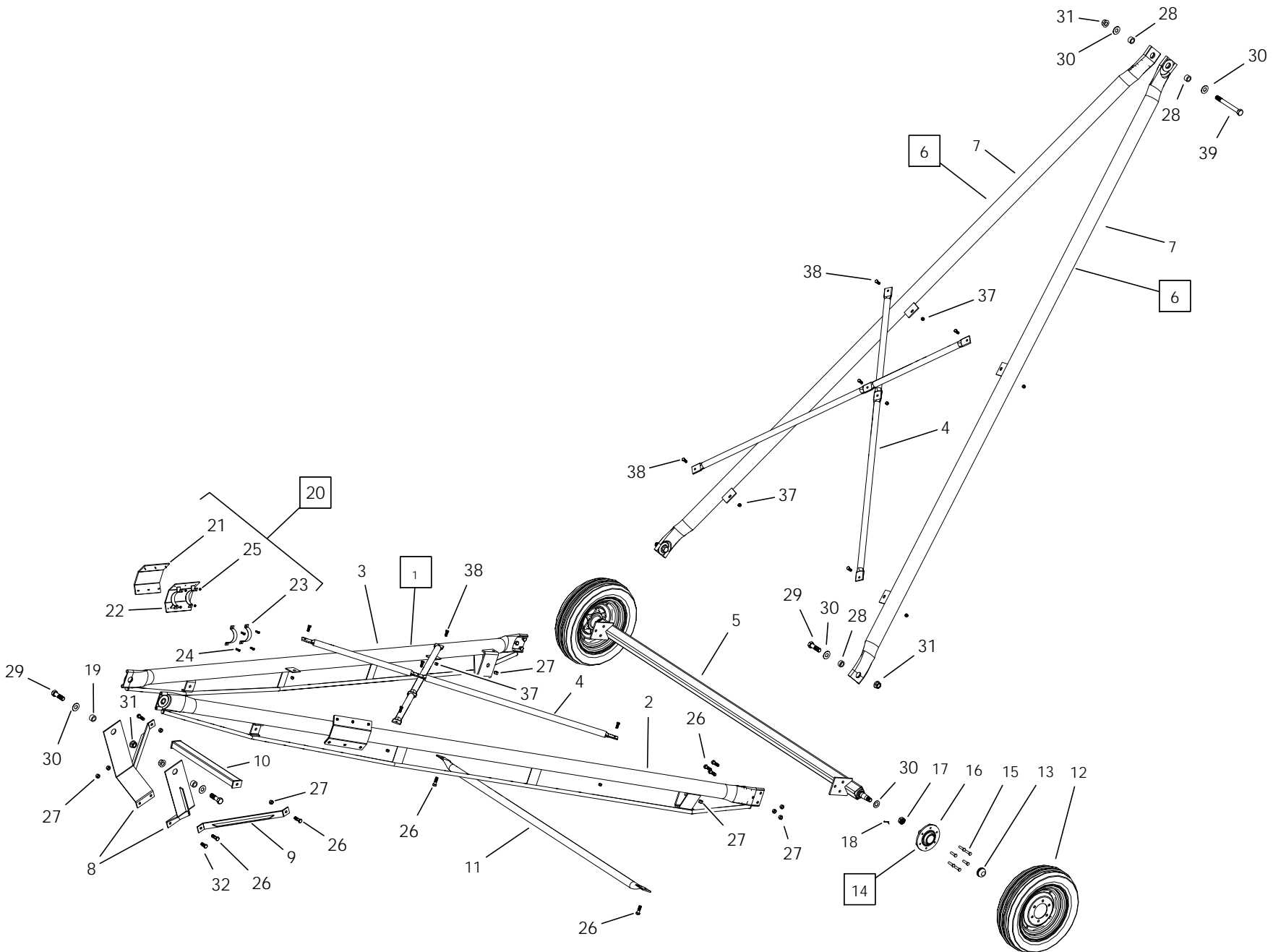


Note: GULP2 hopper bracket added to the lower middle tube in 2014. This part is backwards compatible with all previous models. Installing a new tube that includes the GULP2 hopper bracket does not necessarily make an auger GULP2 hopper compatible. Please call customer service for more information.

MKX130-74 TUBES & TRUSS COMPONENTS

ITEM	PART NO.	DESCRIPTION
52	10-17010	1" Flat Washer
53	10-17022	Long Spacer Bushing
54	10-17019	1" Locknut
55	10-17032	MKX130-74 Truss Cable
56	10-19333	5/16" Cable Clamp
57	10-19331	1/2" Eyebolt
58	10-18990	3/8" Cable Clamp
59	10-27534	High Truss Bracket
60	10-18988	Std. Truss Bracket
61	10-17016	1" x 3-1/2" GR8 Bolt
62	10-27979	3/8" x 2" GR5 Bolt
63	10-18947	1/2" X 4" GR8 Bolt
64	10-29985	X13 Flight Connecting Shaft
65	10-18044	MK71 Lift Cable (Not Shown)
66	10-17632	5/8" X 5-1/2" GR8 Bolt
67	10-19599	1/2" NC Nylon Locknut GR2 PLTD
68	10-19598	7/16" NC NYLON LOCKNUT GR 2 PLTD
69	10-17021	MKX Short Spacer Bushing
70	10-17376	MK LP HOPPER CABLE (NOT SHOWN)
71	10-17262	5/8" Lockwasher Pltd.
72	10-21432	CHAIN, 5/16" GRADE 30 (4 LINKS)
73	10-21494	LIFT ARM PULLEY ASSEMBLY
74	9900560	1/2" X 2-1/4" NC BOLT GR 5 PLTD

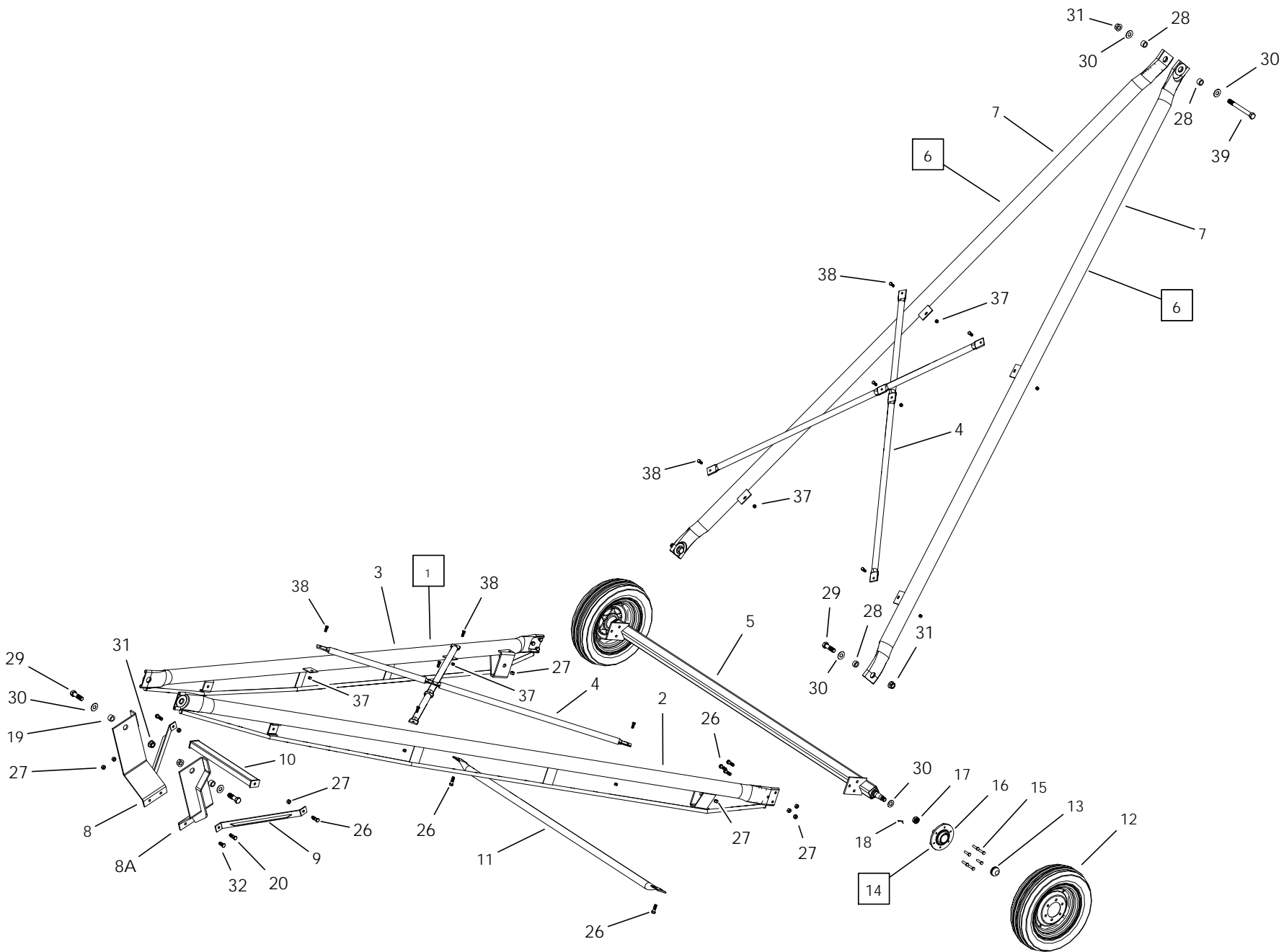
MKX130-64 FRAME COMPONENTS



MKX130-64 FRAME COMPONENTS

ITEM	PART NO.	DESCRIPTION
1	10-20185	MKX130 Lower Frame Bundle
2	10-20184	LOWER REACH ARM, RH
3	10-20183	Lower Reach Arm, LH
4	10-20188	MKX130-64/74 Frame Cross Brace
5	10-18997	MKX130-67/74 AXLE
6	10-20187	MKX130-64 Upper Frame Bundle
7	10-20186	Upper Reach Arm
8	10-27546	Stabilizer Bracket
9	10-17000	Frame Stabilizer Brace
10	10-18999	Short Crossmember
11	10-18998	Long Crossmember
12	10-29015	16 X 6 X 6 Wheel Assembly
13	10-17012	MK130 Dust Cap
14	10-17013	HAD611Z Hub Assembly
15	10-17561	1/2" X 1-1/4" WHEEL BOLT
16	10-17009	6 Bolt Hub, MK130
17	10-17011	1" Slotted Nut
18	10-19271	1/8" X 1-1/2" Cotter Pin
19	10-17022	Long Spacer Bushing
20	10-20315	MKX130-64 Frame Deflector Assembly
21	10-20313	MKX130-64 Frame Deflector Plastic
22	10-20314	MKX130-64 Frame Deflector
23	10-18225	4" Half Ring
24	10-18091	5/16" X 1" NC BOLT GR 2 PLTD
25	10-19980	5/16" Locknut
26	10-19991	5/8" X 2" GR8 Bolt
27	10-19600	5/8" Locknut
28	10-17021	MKX Short Spacer Bushing
29	10-17016	1" X 3-1/2" GR8 Bolt
30	10-17010	1" Flat Washer
31	10-17019	1" Nylon Locknut
32	10-19590	5/8" X 1-1/2" GR8 Bolt
37	10-17750	1/2" Locknut
38	10-19588	1/2" X 1-1/4" GR5 Bolt
39	10-17015	1" X 10" GR8 Bolt

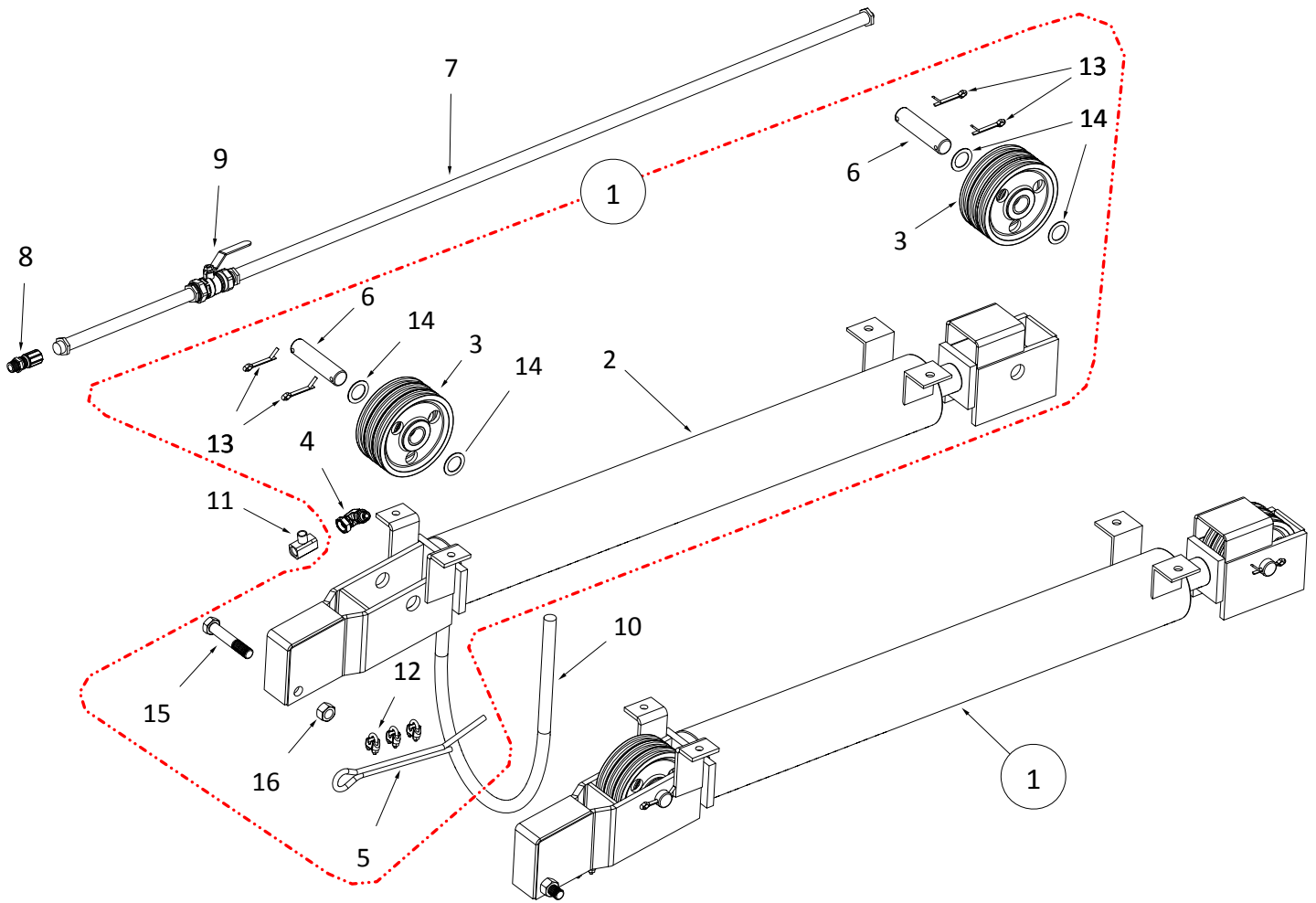
MKX130-74 FRAME COMPONENTS



MKX130-74 FRAME COMPONENTS

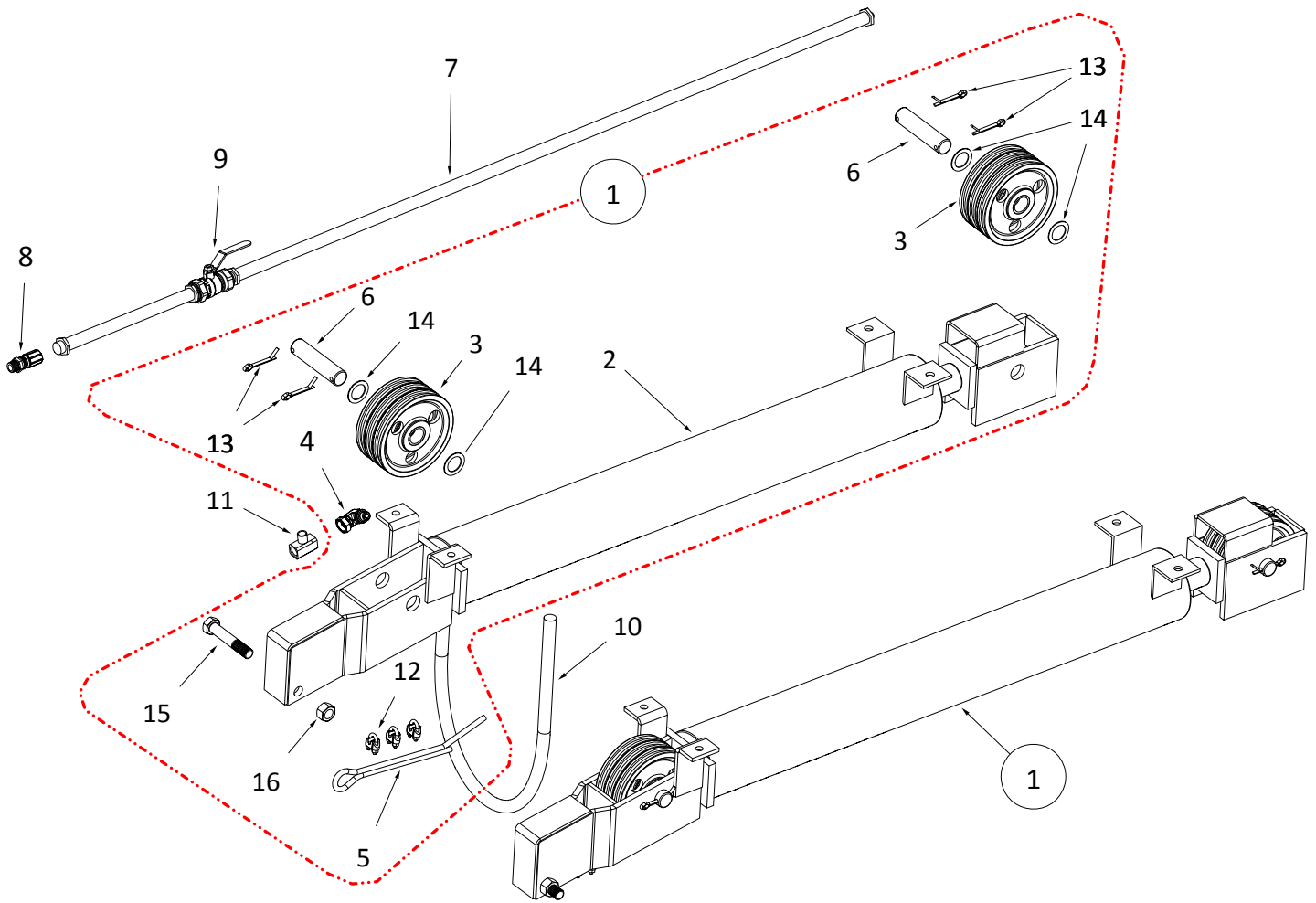
ITEM	PART NO.	DESCRIPTION
1	10-20191	MKX130 Lower Frame Bundle
2	10-20190	LOWER REACH ARM, RH
3	10-20189	Lower Reach Arm, LH
4	10-20188	MKX130-64/74 Frame Cross Brace
5	10-17038	MKX130-67/74 AXLE
6	10-20193	MKX130-74 Upper Frame Bundle
7	10-20192	Upper Reach Arm
8	10-21868	Stabilizer Bracket, LH
8A	10-21867	Stabilizer Bracket, RH
9	10-17000	Frame Stabilizer Brace
10	10-18999	Short Crossmember
11	10-17039	Long Crossmember
12	10-29015	16 X 6 X 6 Wheel Assembly
13	10-17012	MK130 Dust Cap
14	10-17013	HAD611Z Hub Assembly
15	10-17561	1/2" X 1-1/4" WHEEL BOLT
16	10-17009	6 Bolt Hub, MK130
17	10-17011	1" Slotted Nut
18	10-19271	1/8" X 1-1/2" Cotter Pin
19	10-17563	Frame Bushing
20	10-27484	5/8" x 2-1/4" GR8 Bolt
26	10-19991	5/8" X 2" GR8 Bolt
27	10-19600	5/8" Locknut
28	10-17021	MKX Short Spacer Bushing
29	10-17016	1" X 3-1/2" GR8 Bolt
30	10-17010	1" Flat Washer
31	10-17019	1" Nylon Locknut
32	10-19590	5/8" X 1-1/2" GR8 Bolt
37	10-17750	1/2" Locknut
38	10-19588	1/2" X 1-1/4" GR5 Bolt
39	10-17015	1" X 10" GR8 Bolt
40	10-22144	1" X 3-3/4" GR8 Bolt

MKX130-64 HYDRAULIC HOSE COMPONENTS

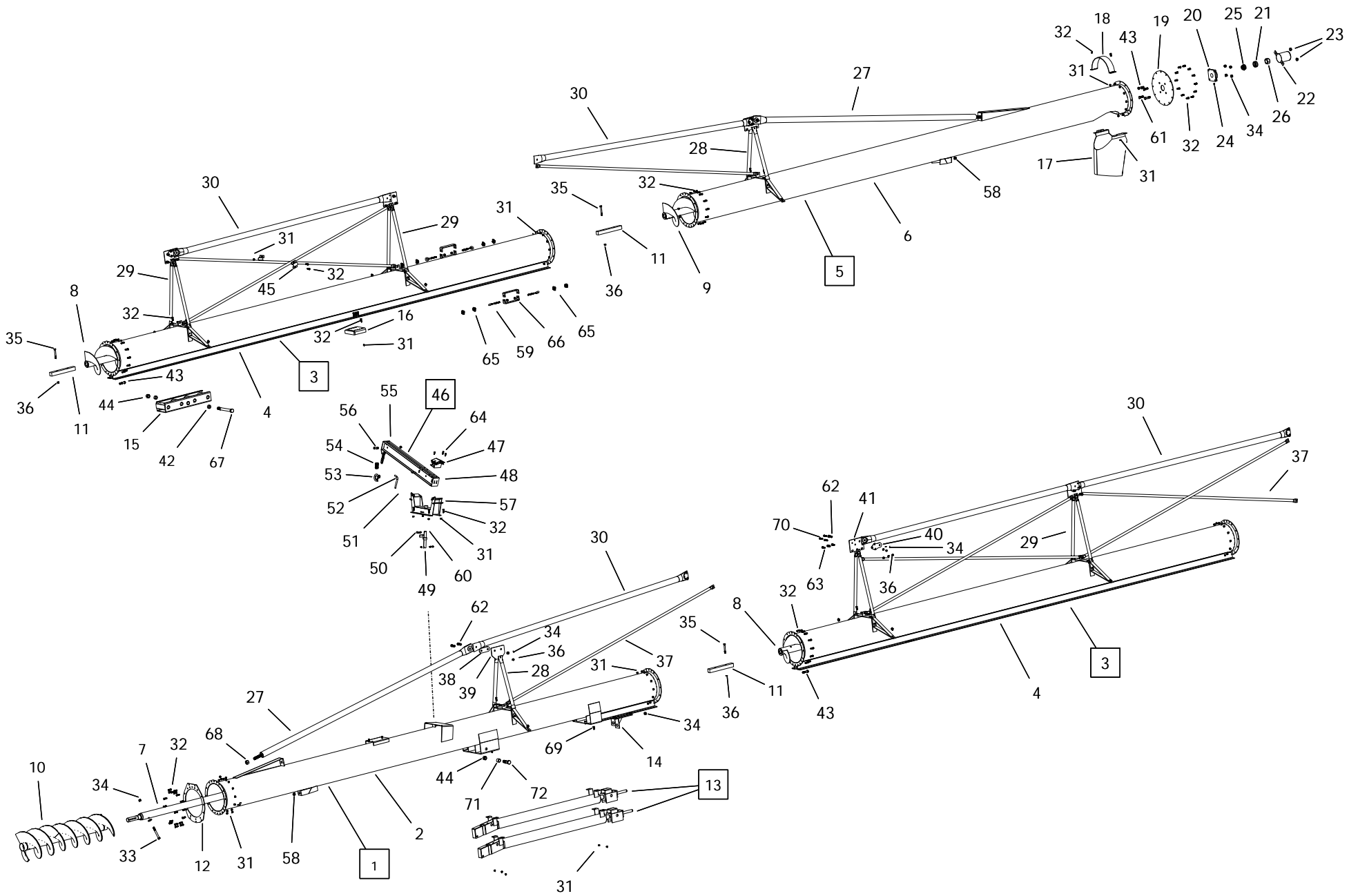


ITEM	PART NO.	DESCRIPTION
1	10-18034	Hydraulic Cylinder Assembly
2	10-19916	Hydraulic Cylinder Only
3	10-19918	Pulley, 5-1/2" Dia. W/Bushing
4	10-22191	STEEL ELBOW 6MORB X 3/8 F NPSM
5	10-18043	LIFT CABLE
6	10-18089	HYD CYLINDER PIN
7	10-20318	MKX130 Cylinder Hose Assembly
8	9900047	Pioneer Coupler
9	10-18084	BALL VALVE
10	10-18739	3/8" X 16" Hydraulic Hose
11	10-18736	3/8" STREET TEE
12	10-19333	5/16" cable clamp
13	10-18098	COTTER PIN 1/4 X 1-3/4 C.ZINC PLTD
14	10-18097	1" RIM WASHER PLTD
15	10-18093	5/8" X 3-1/2" NC BOLT GR 5 PLTD
16	10-19600	5/8" NC NYLON LOCKNUT PLTD

MKX130-74 HYDRAULIC HOSE COMPONENTS

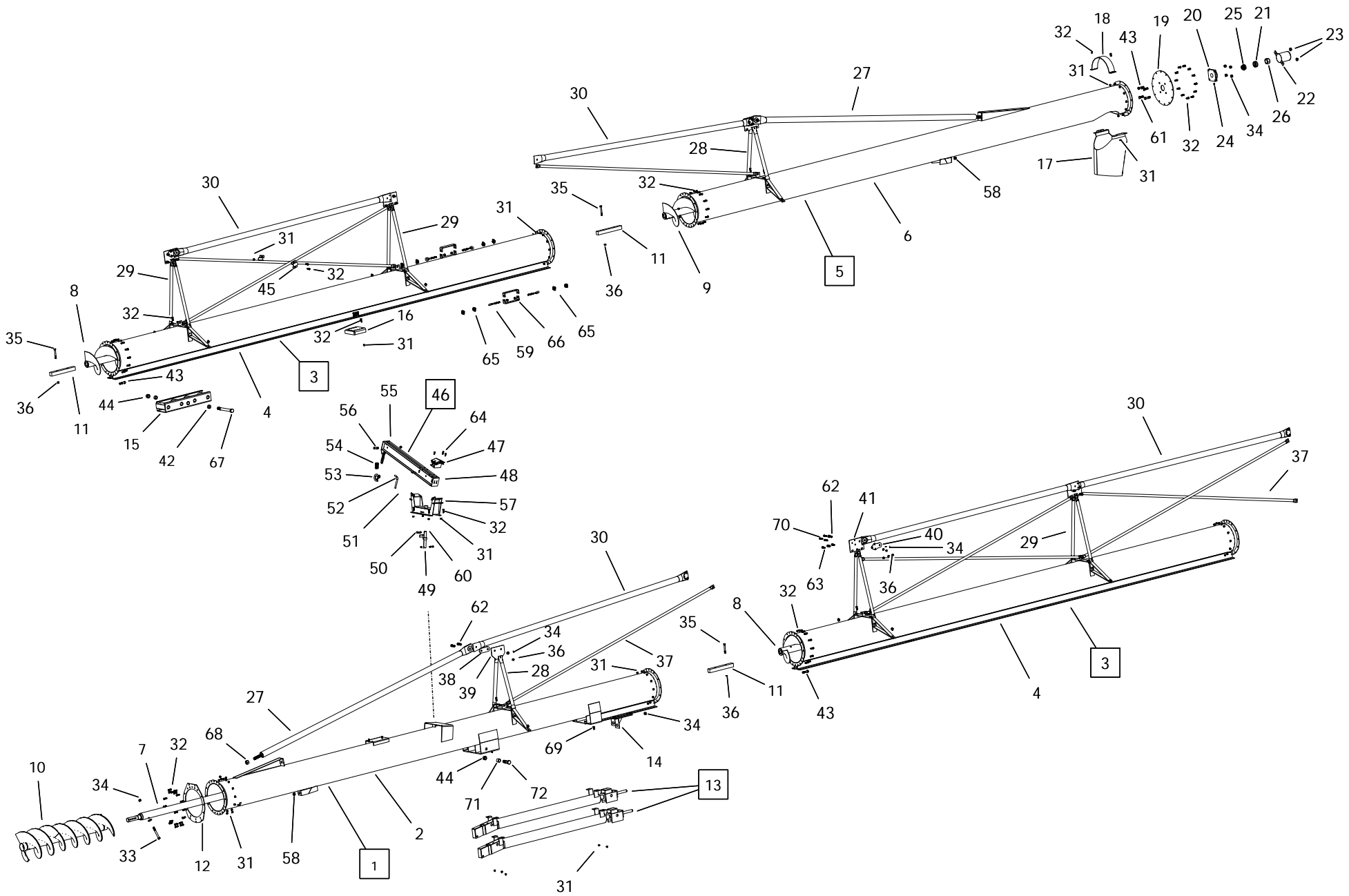


ITEM	PART NO.	DESCRIPTION
1	10-18035	Hydraulic Cylinder Assembly
2	10-19917	Hydraulic Cylinder Only
3	10-19918	Pulley, 5-1/2" Dia. W/Bushing
4	10-22191	STEEL ELBOW 6MORB X 3/8 F NPSM
5	10-18044	LIFT CABLE
6	10-18089	HYD CYLINDER PIN
7	10-20320	MKX130 Cylinder Hose Assembly
8	9900047	Pioneer Coupler
9	10-18084	BALL VALVE
10	10-18739	3/8" X 16" Hydraulic Hose
11	10-18736	3/8" STREET TEE
12	10-19333	5/16" cable clamp
13	10-18098	COTTER PIN 1/4 X 1-3/4 C.ZINC PLTD
14	10-18097	1" RIM WASHER PLTD
15	10-18093	5/8" X 3-1/2" NC BOLT GR 5 PLTD
16	10-19600	5/8" NC NYLON LOCKNUT PLTD



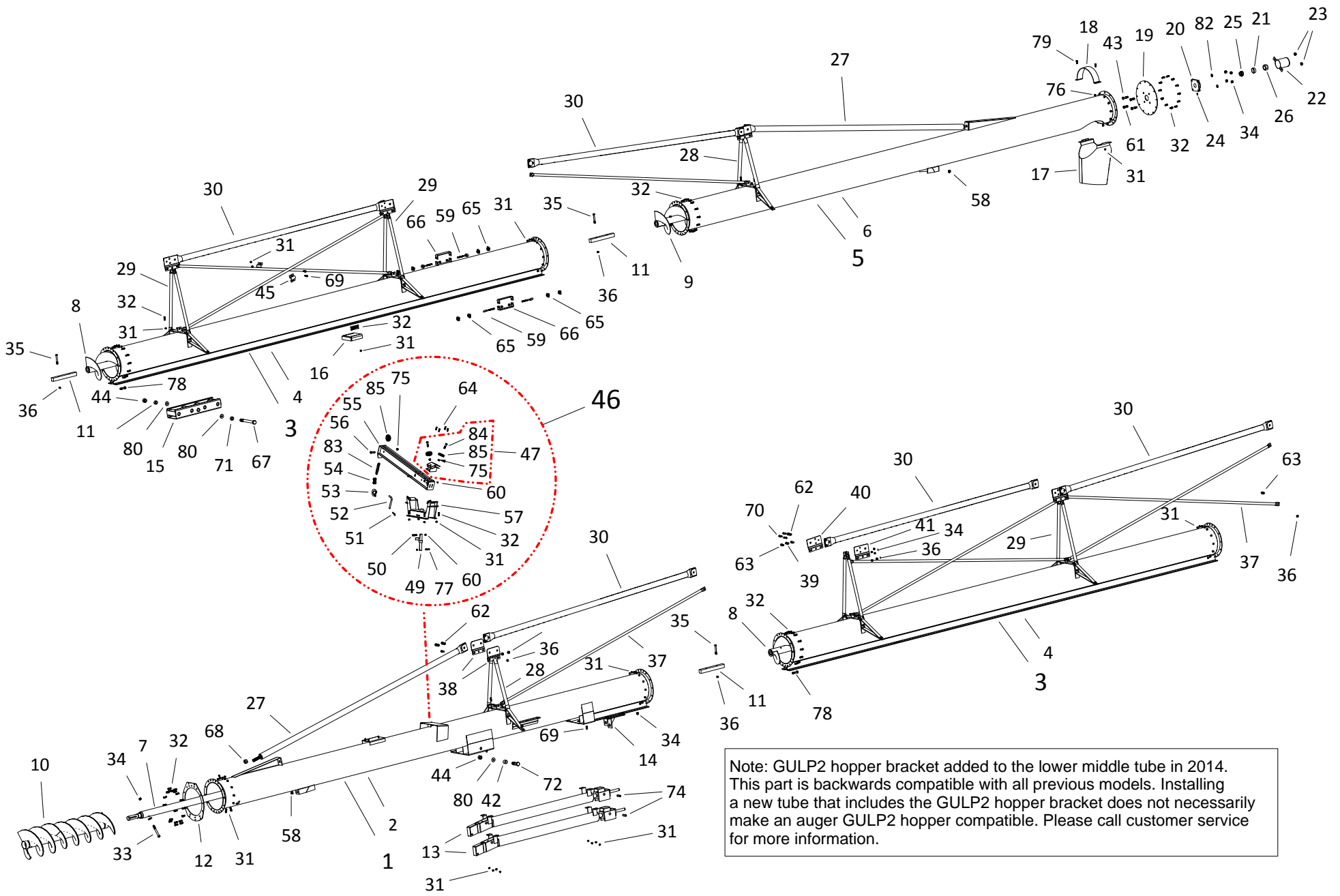
MKX130-84 TUBES & TRUSS COMPONENTS (SN: 248752-255999)

ITEM	PART NO.	DESCRIPTION
1	10-20346	MKX130-84 Lower Tube Bundle
2	10-20228	MKX130-84 Lower Tube Only
3	10-20345	MKX13084/94/114 Upper Middle Tube Bundle
4	10-20220	MKX130-84/94/114 Upper Middle Tube Only
5	10-20344	MKX130-84/94/114 Upper Tube Bundle
6	10-20221	MKX130-84/94/114 Upper Tube Only
7	10-29989	X13 Lower Flight Weldment
8	10-29987	X13 Middle Flight
9	10-29986	X13 Upper Flight
10	10-29964	X13 Boot Flight
11	10-29985	X13 Flight Connecting Shaft
12	10-29999	X13 Boot Tube Attach Plate
13	10-27535	Hydraulic Cylinder Assembly
14	10-27562	Ram Guide
15	10-20295	MKX130-84/94/114 Track Shoe
16	10-20296	MKX130-84/94/114 Track Stop
17	10-29308	13" Rolled Spout
18	10-18987	Half Clamp
19	10-29231	Flight Bearing Mount Plate
20	10-18518	1-3/4" Bearing, with 4 hole Flange
21	10-21171	Thrust Adjuster Bushing
22	10-27576	Thrust Adjuster Cover
23	10-27588	5/8" Flange Nut
24	10-19222	1/4" Fine Thread Zirk
25	10-17527	1-3/4" Bearing with Collar
26	10-27587	1-1/2" UNF Hex Nut
27	10-20047	X13 Long Truss Adjuster
28	10-17459	Low Truss Tower
29	10-17460	High Truss Tower
30	10-20337	MKX Truss Tube
31	10-17593	7/16" Locknut, GR5
32	10-18698	7/16" X 1-1/4" GR8 Bolt
33	10-18545	5/8" X 4-1/2" Bolt
34	10-19600	5/8" Locknut
35	10-18947	1/2" X 4" GR8 Bolt
36	10-17750	1/2" Locknut
37	10-20078	X13 Truss Cross Brace
38	10-20339	Truss Joiner Plate, 2
39	10-20340	Truss Joiner Plate, Single
40	10-20338	Truss Joiner Plate,1
41	10-20341	Truss Joiner Plate, Triple
42	10-17022	Long Spacer Bushing
43	10-27589	5/8" X 2-1/2" GR5 Bolt
44	10-17019	1" Locknut
45	10-17405	Crossbrace Clamp
46	10-20030	X13 Lift Arm Assembly
47	10-20033	X13 Lift Arm Pulley Guide
48	10-28449	1/4" Locknut GR5
49	10-20031	X13 Lift Arm Swivel
50	10-27979	3/8" X 2" GR5 Bolt



MKX130-84 TUBES & TRUSS COMPONENTS (SN: 248752-255999)

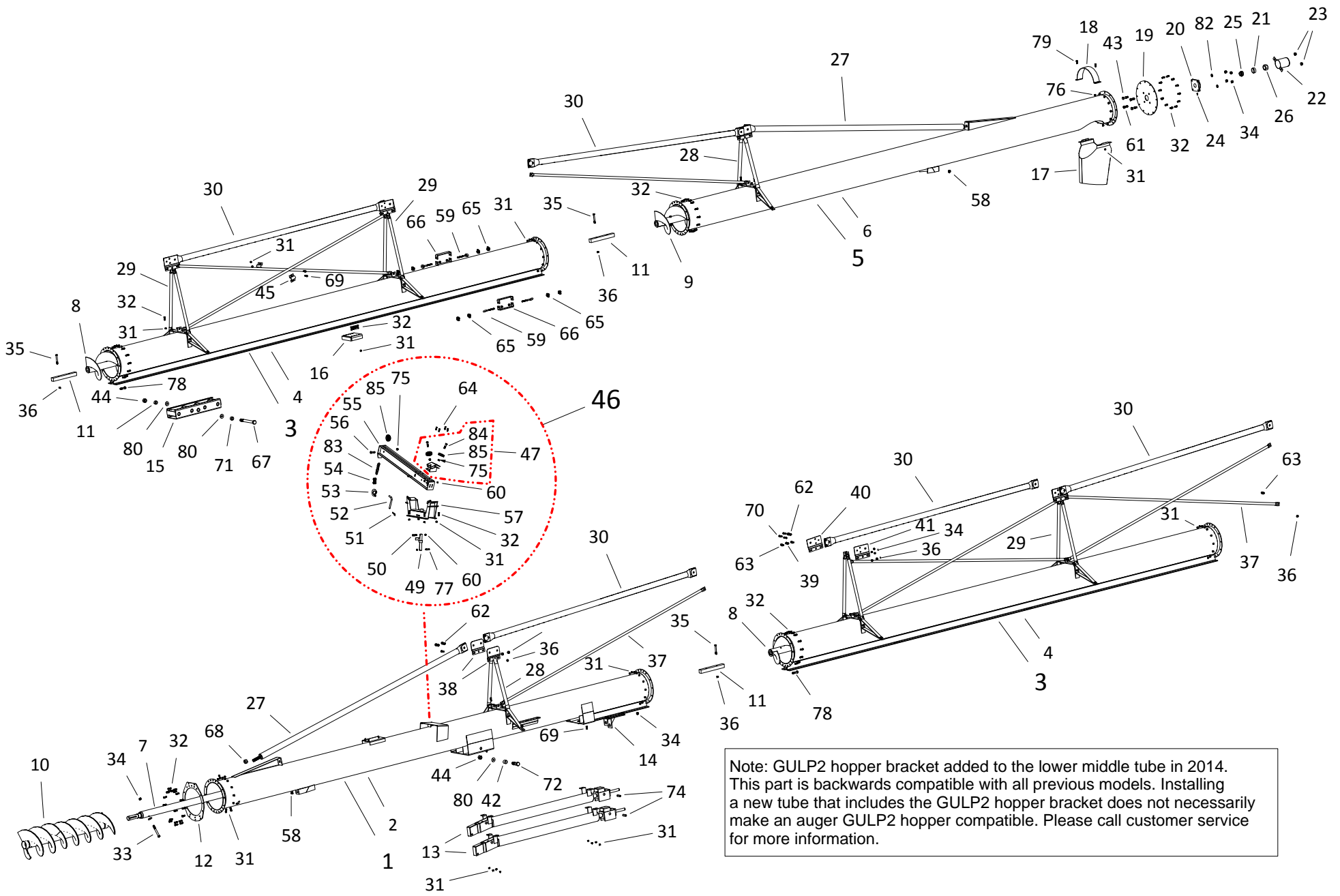
ITEM	PART NO.	DESCRIPTION
51	10-19463	7/16" X 3/4" X 1/8" Hairpin
52	10-19648	X13 Saddle Pin
53	10-28997	1/2" Eye Hoist With Latch
54	10-20083	5/16" Midlink
55	10-20028	X13 Lift Arm
56	10-27816	1/2" X 2" GR5 Bolt
57	10-20032	X13 Lift Arm Base
58	10-19333	5/16" Cable Clamp
59	10-19331	1/2" Eyebolt
60	10-17402	3/8" NC NYLON LOCKNUT PLTD
61	10-18544	5/8" X 1-3/4" GR5 Bolt
62	10-19991	5/8" X 2" Bolt
63	10-19589	1/2" X 1-1/2" GR5 Bolt
64	9900800	1/4" X 3/4" GR5 Bolt
65	10-18990	3/8" Cable Clamp
66	10-17464	MK91 Turnbuckle
67	10-17015	1" X 10" GR8 Bolt
68	10-20080	1" Hexnut
69	10-19542	7/16" X 1" GR5 Bolt
70	10-19981	7/16" X 1-3/4" Bolt
71	10-17021	MKX Short Spacer Bushing
72	10-17016	1" X 3-1/2" Bolt
73	10-20343	MKX130-84 Lower Truss Cable (Not Shown)
74	10-20342	MKX130-84 Upper Truss Cable (Not Shown)



Note: GULP2 hopper bracket added to the lower middle tube in 2014. This part is backwards compatible with all previous models. Installing a new tube that includes the GULP2 hopper bracket does not necessarily make an auger GULP2 hopper compatible. Please call customer service for more information.

MKX130-84 TUBES&TRUSS COMPONENTS (SN: 256000+)

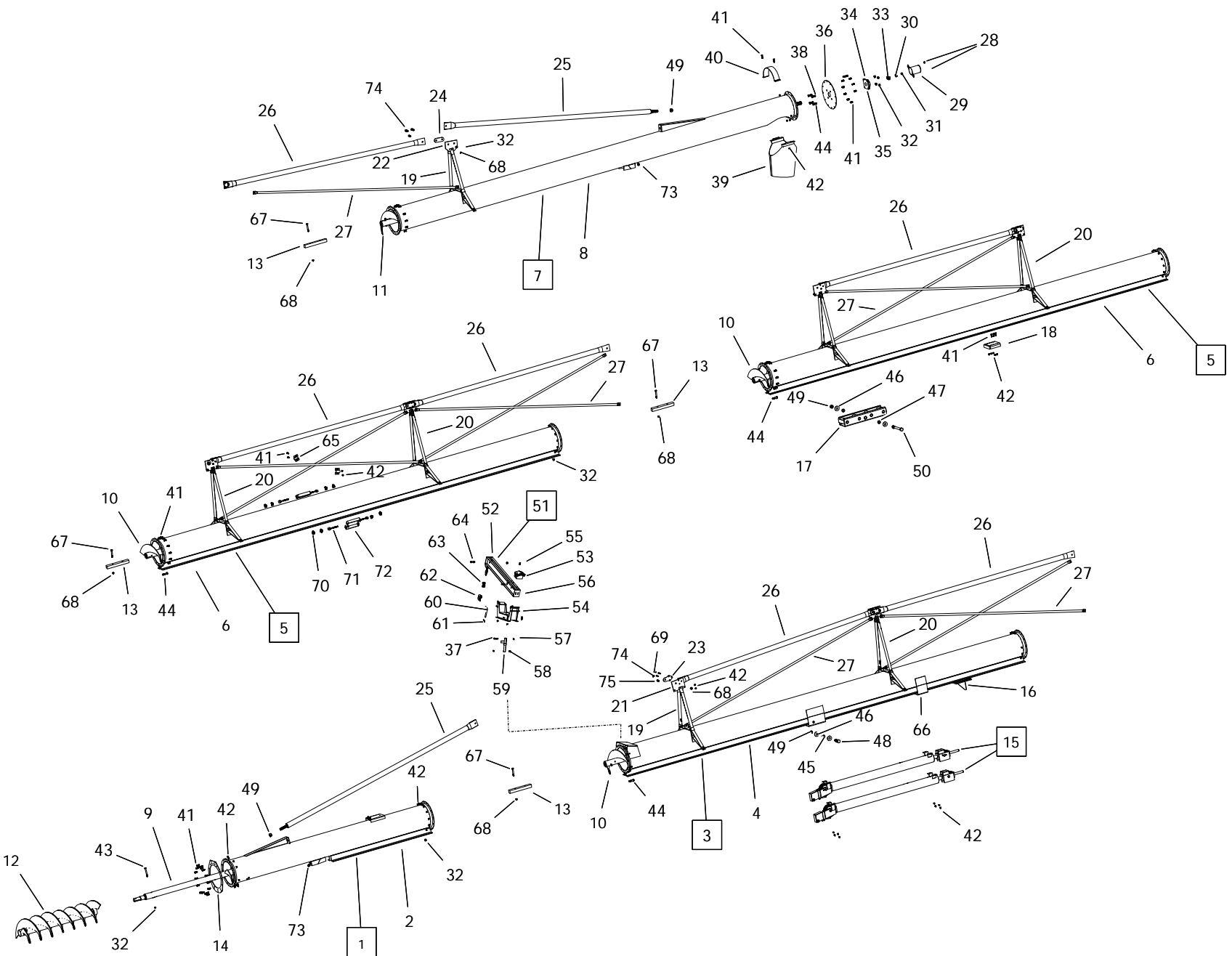
ITEM	PART NO.	DESCRIPTION
1	10-20346	MKX130-84 Lower Tube Bundle
2	10-20228	MKX130-84 Lower Tube Only
3	10-20345	MKX13084/94/114 Upper Middle Tube Bundle
4	10-20220	MKX130-84/94/114 Upper Middle Tube Only
5	10-20344	MKX130-84/94/114 Upper Tube Bundle
6	10-20221	MKX130-84/94/114 Upper Tube Only
7	10-29989	X13 Lower Flight Weldment
8	10-29987	X13 Middle Flight
9	10-29986	X13 Upper Flight
10	10-29964	X13 Boot Flight
11	10-29985	X13 Flight Connecting Shaft
12	10-29999	X13 Boot Tube Attach Plate
13	10-20523	Hydraulic Cylinder Assembly
14	10-27562	Ram Guide
15	10-20295	MKX130-84/94/114 Track Shoe
16	10-20296	MKX130-84/94/114 Track Stop
17	10-29308	13" Rolled Spout
18	10-18987	Half Clamp
19	10-29231	Flight Bearing Mount Plate
20	10-18518	1-3/4" Bearing, with 4 hole Flange
21	10-21171	Thrust Adjuster Bushing
22	10-27576	Thrust Adjuster Cover
23	10-27588	5/8" Flange Nut
24	10-19222	1/4" Fine Thread Zirk
25	10-17527	1-3/4" Bearing with Collar
26	10-27587	1-1/2" UNF Hex Nut
27	10-21301	MKX130-84/94 LONG ADJUST TUBE
28	10-17459	Low Truss Tower
29	10-17460	High Truss Tower
30	10-21310	MKX130-84/94 LONG TRUSS TUBE
31	10-17593	7/16" Locknut, GR5
32	10-18698	7/16" X 1-1/4" GR8 Bolt
33	10-17632	5/8" X 5-1/2" Bolt
34	10-19600	5/8" Locknut
35	10-18947	1/2" X 4" GR8 Bolt
36	10-17750	1/2" Locknut
37	10-20078	X13 Truss Cross Brace
38	10-21306	MKX/X 13 JOINER PLATE 3
39	10-19974	1/2" X 1-3/4" GR8 Bolt
40	10-21305	MKX130 JOINER PLATE 2
41	10-21304	MKX130 JOINER PLATE 1
42	10-20298	Long Spacer Bushing
43	10-27589	5/8" X 2-1/2" GR8 Bolt
44	10-17019	1" Locknut
45	10-17405	Crossbrace Clamp
46	10-20030	X13 Lift Arm Assembly
47	10-23134	Lift Arm Pulley Guide Assembly (2017)
49	10-20031	X13 Lift Arm Swivel
50	10-27979	3/8" X 2" GR5 Bolt
51	10-19463	7/16" X 3/4" X 1/8" Hairpin



Note: GULP2 hopper bracket added to the lower middle tube in 2014. This part is backwards compatible with all previous models. Installing a new tube that includes the GULP2 hopper bracket does not necessarily make an auger GULP2 hopper compatible. Please call customer service for more information.

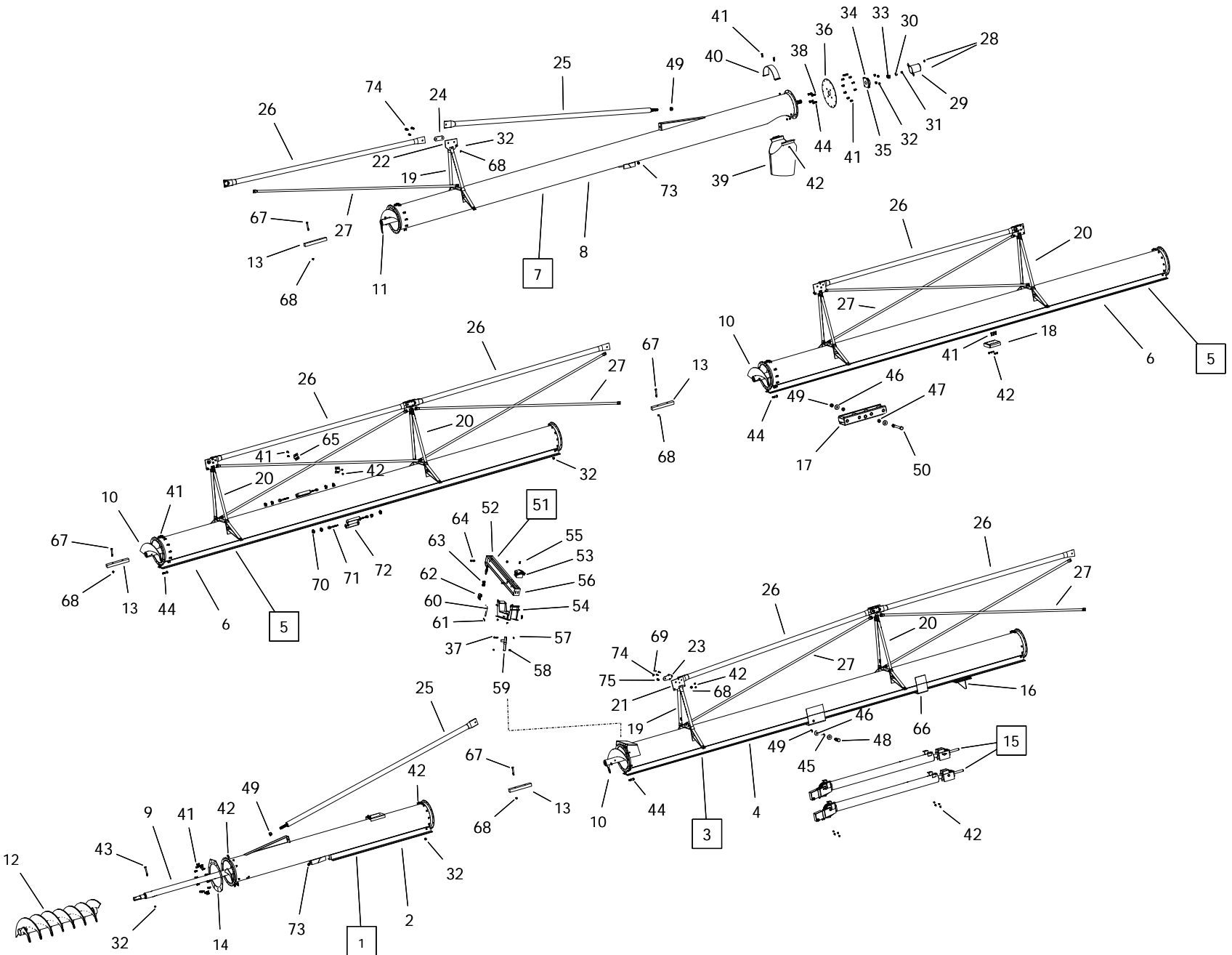
MKX130-84 TUBES&TRUSS COMPONENTS (SN: 256000+)

ITEM	PART NO.	DESCRIPTION
52	10-19648	X13 Saddle Pin
53	10-28997	1/2" Eye Hoist With Latch
54	10-20083	5/16" Midlink
55	10-20028	X13 Lift Arm
56	10-17403	1/2" X 2-1/2" GR5 Bolt
57	10-20032	X13 Lift Arm Base
58	10-19333	5/16" Cable Clamp
59	10-19331	1/2" Eyebolt
60	10-17402	3/8" NC NYLON LOCKNUT PLTD
61	10-18544	5/8" X 1-3/4" GR5 Bolt
62	10-27484	5/8" X 2-1/4" Bolt
63	10-19589	1/2" X 1-1/2" GR8 Bolt
64	10-18955	3/8" X 1" NC BOLT GR 5 PLTD
65	10-18990	3/8" Cable Clamp
66	10-17464	MK91 Turnbuckle
67	10-17015	1" X 10" GR8 Bolt
68	10-20080	1" Hexnut
69	10-19542	7/16" X 1" GR5 Bolt
70	10-19545	7/16" X 2-1/4" Bolt
71	10-20297	MKX Short Spacer Bushing
72	10-17016	1" X 3-1/2" Bolt
73	10-20085	MKX130-84 Truss Cable (Not Shown)
74	10-18079	5/16" X 2" Roll Pin
75	10-19599	1/2" NC Nylon Locknut GR2 PLTD
76	10-19598	7/16" NC NYLON LOCKNUT GR 2 PLTD
77	10-28450	3/8" x 1-3/4" NC Bolt GR5 PLTD
78	10-29251	5/8" X 2-3/4" GR8 Bolt
79	10-19981	7/16" X 1-3/4" NC BOLT GR8 PLTD
80	10-17020	1" FLAT WASHER
81	10-17376	MK LP HOPPER CABLE (NOT SHOWN)
82	10-17262	5/8" Lockwasher Pltd.
83	10-21432	CHAIN, 5/16" GRADE 30 (4 LINKS)
84	9900560	1/2" X 2-1/4" NC BOLT GR 5 PLTD
85	10-21494	LIFT ARM PULLEY ASSEMBLY



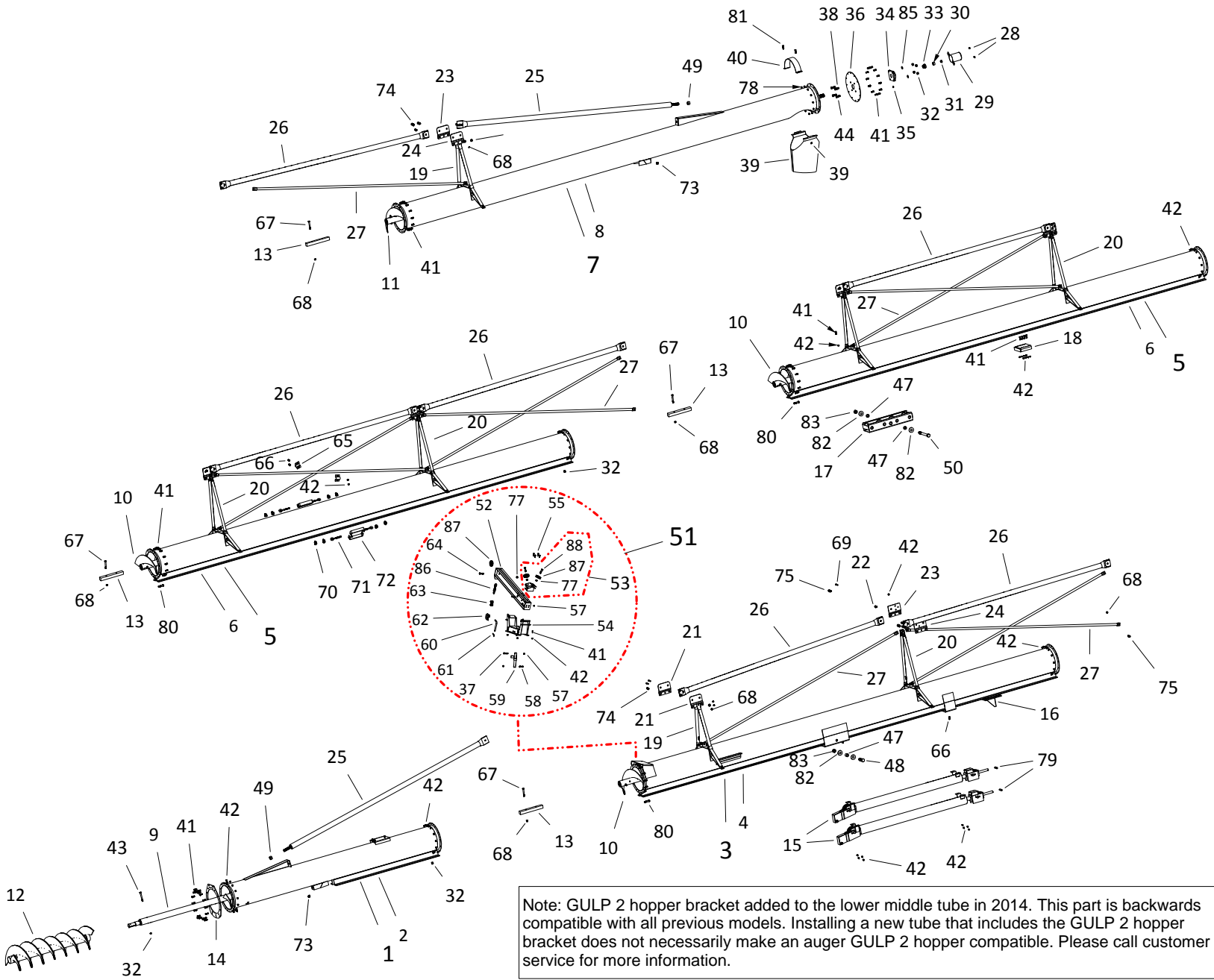
MKX130-94 TUBES & TRUSS COMPONENTS (SN: 248752-255999)

ITEM	PART NO.	DESCRIPTION
1	10-20349	MKX130-94/114 Lower Tube Bundle
2	10-20218	MKX130-94/114 Lower Tube Only
3	10-20348	MKX130-94 Lower Middle Tube Bundle
4	10-20224	MKX130-94 Lower Middle Tube Only
5	10-20345	MKX13084/94/114 Upper Middle Tube Bundle
6	10-20220	MKX130-84/94/114 Upper Middle Tube Only
7	10-20344	MKX130-84/94/114 Upper Tube Bundle
8	10-20221	MKX130-84/94/114 Upper Tube Only
9	10-20194	MKX1374 Lower Flight
10	10-29987	X13 Middle Flight
11	10-29986	X13 Upper Flight
12	10-29964	X13 Boot Flight
13	10-29985	X13 Flight Connecting Shaft
14	10-29999	X13 Boot-Tube Attach Plate
15	10-17466	Hydraulic Cylinder Assembly
16	10-27562	Ram Guide
17	10-20295	MKX130-84/94/114 Trackshoe
18	10-20296	MKX130-84/94/114 Track Stop
19	10-17459	Low Truss Tower
20	10-17460	High Truss Tower
21	10-20341	Truss Joiner Plate, Triple
22	10-20340	Truss Joiner Plate, Single
23	10-20338	Truss Joiner Plate,1
24	10-20339	Truss Joiner Plate, 2
25	10-20047	X13 Long Truss Adjuster
26	10-20337	MKX Truss Tube
27	10-20078	X13 Truss Cross Brace
28	10-27588	5/8" Flange Nut
29	10-27576	Thrust Adjuster Cover
30	10-21171	Thrust Adjuster Bushing
31	10-27587	1-1/2" UNF Hex Nut
32	10-19600	5/8" Locknut
33	10-17527	1-3/4" Bearing with Collar
34	10-18518	1-3/4" Bearing, with 4 hole Flange
35	10-19222	1/4" Fine Thread Zirk
36	10-29231	Flight Bearing Mount Plate
37	10-27979	3/8" X 2" GR5 Bolt
38	10-18544	5/8" X 1-3/4" GR5 Bolt
39	10-29308	13" Rolled Spout
40	10-18987	Half Clamp
41	10-18698	7/16" X 1-1/4" GR8 Bolt
42	10-17593	7/16" Locknut, GR5
43	10-18545	5/8" X 4-1/2" Bolt
44	10-27589	5/8" X 2-1/2" GR5 Bolt
45	10-17021	MKX Short Spacer Bushing
46	10-17010	1" Flat Washer
47	10-17022	Long Spacer Bushing
48	10-17016	1" X 3-1/2" Bolt
49	10-17019	1" Locknut
50	10-17015	1" X 10" GR8 Bolt



MKX130-94 TUBES & TRUSS COMPONENTS (SN: 248752-255999)

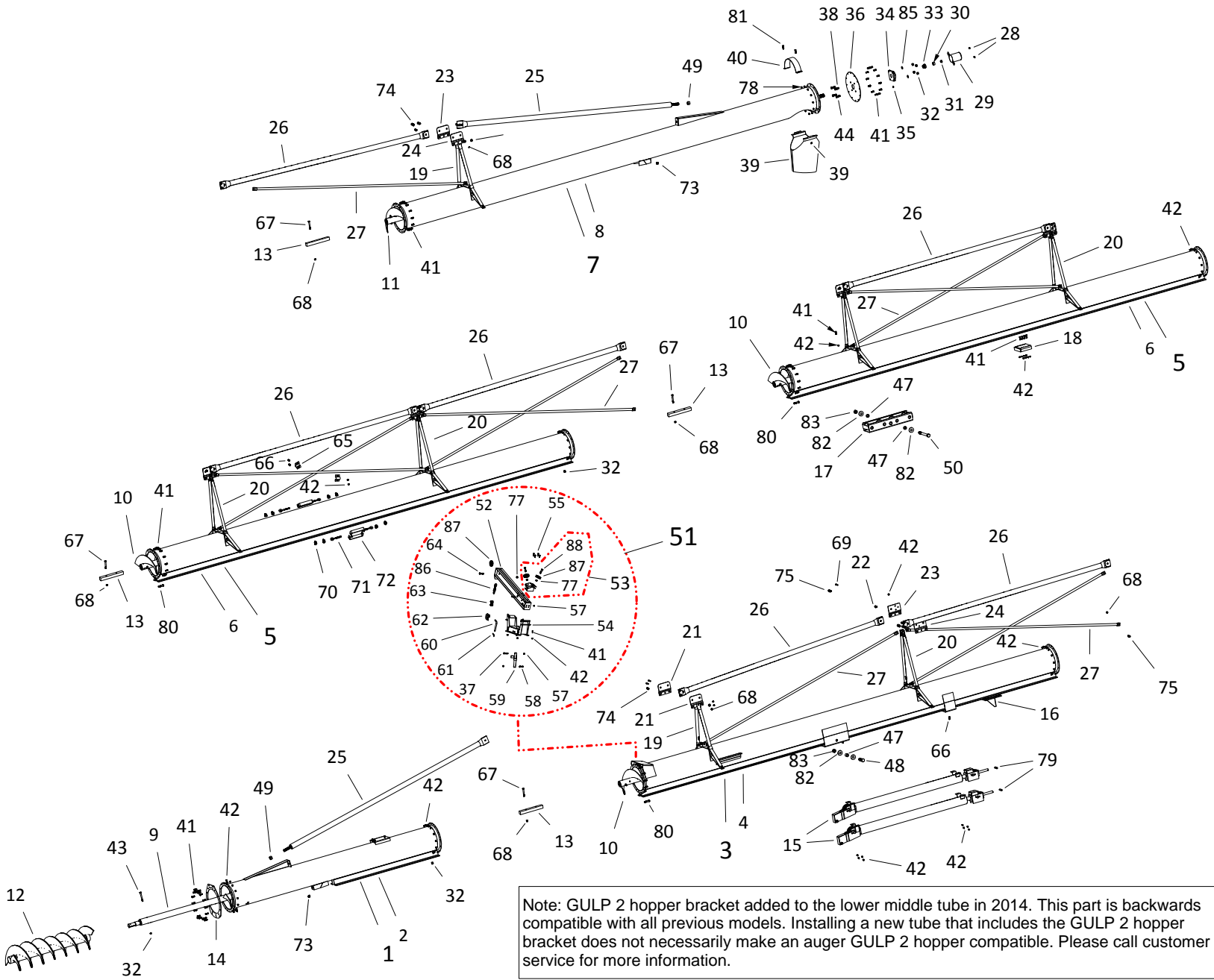
ITEM	PART NO.	DESCRIPTION
51	10-20030	X13 Lift Arm Assembly
52	10-20028	X13 Lift Arm
53	10-20033	X13 Lift Arm Pulley Guide
54	10-20032	X13 Lift Arm Base
55	9900800	1/4" X 3/4" GR5 Bolt
56	10-28449	1/4" Locknut GR5
57	10-17402	3/8" NC NYLON LOCKNUT PLTD
58	10-28450	3/8" X 1-3/4" GR5 Bolt
59	10-20031	Lift Arm Swivel
60	10-19648	X13 Saddle Pin
61	10-19463	7/16" X 3/4" X 1/8" Hairpin
62	10-28997	1/2" Eye Hoist With Latch
63	10-20083	5/16" Midlink
64	10-27816	1/2" X 2" GR5 Bolt
65	10-17405	Crossbrace Clamp
66	10-19542	7/16" X 1" GR5 Bolt
67	10-18947	1/2" X 4" GR8 Bolt
68	10-17750	1/2" Locknut GR8
69	10-19981	7/16" X 1-3/4" GR8 Bolt
70	10-18990	3/8" Cable Clamp
71	10-19331	1/2" Eyebolt
72	10-17464	MK91 Turnbuckle
73	10-19333	5/16" Cable Clamp
74	10-19991	5/8" X 2" Bolt
75	10-19589	1/2" X 1-1/2" GR5 Bolt
76	10-17576	MKX130-94 Upper/Lower Stabilizer Cable (Not Shown)



Note: GULP 2 hopper bracket added to the lower middle tube in 2014. This part is backwards compatible with all previous models. Installing a new tube that includes the GULP 2 hopper bracket does not necessarily make an auger GULP 2 hopper compatible. Please call customer service for more information.

MKX130-94 TUBES&TRUSS COMPONENTS (SN: 256000+)

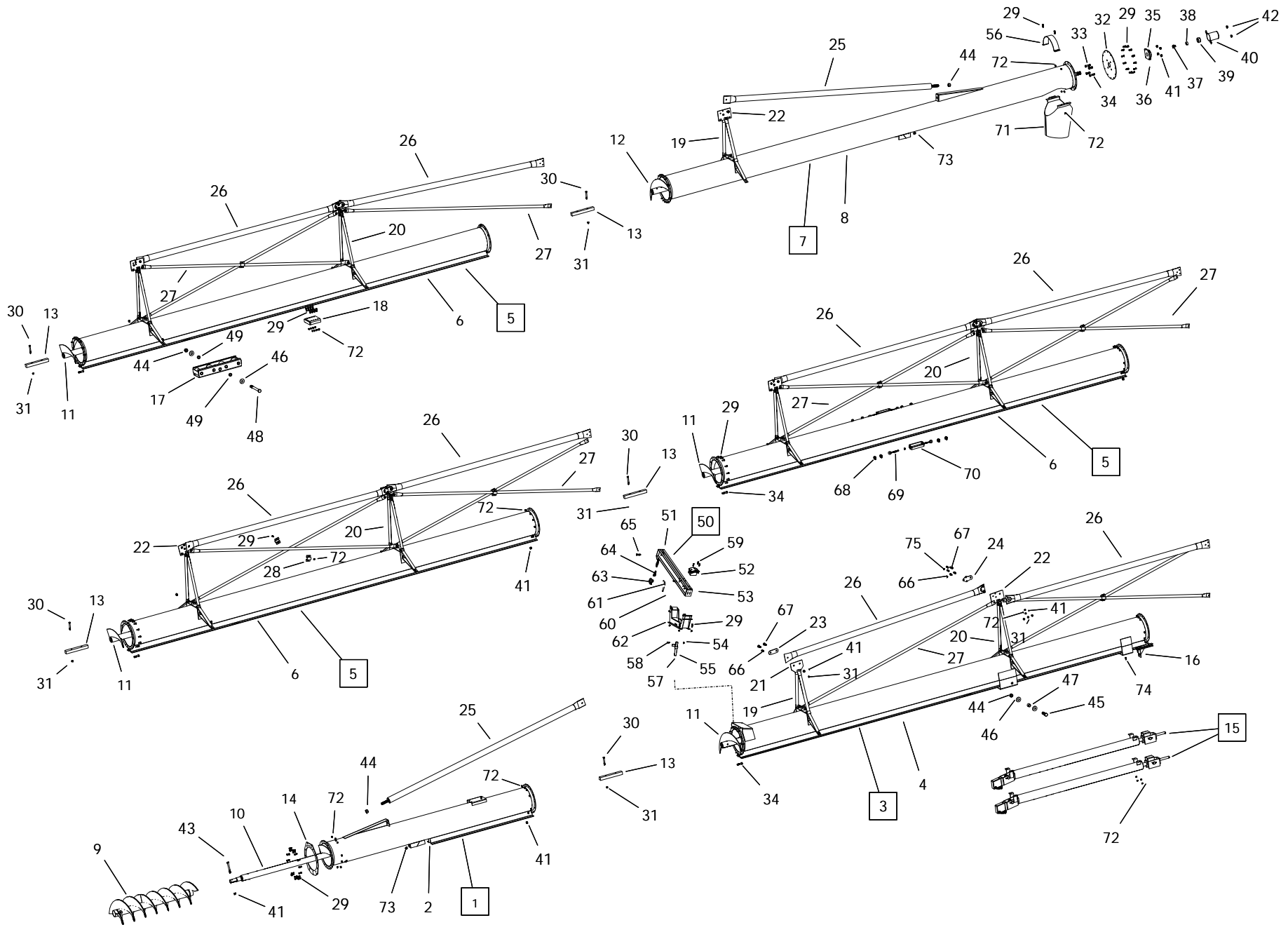
ITEM	PART NO.	DESCRIPTION
1	10-20349	MKX130-94/114 Lower Tube Bundle
2	10-20218	MKX130-94/114 Lower Tube Only
3	10-20348	MKX130-94 Lower Middle Tube Bundle
4	10-20224	MKX130-94 Lower Middle Tube Only
5	10-20345	MKX13084/94/114 Upper Middle Tube Bundle
6	10-20220	MKX130-84/94/114 Upper Middle Tube Only
7	10-20344	MKX130-84/94/114 Upper Tube Bundle
8	10-20221	MKX130-84/94/114 Upper Tube Only
9	10-20194	MKX1374 Lower Flight
10	10-29987	X13 Middle Flight
11	10-29986	X13 Upper Flight
12	10-29964	X13 Boot Flight
13	10-29985	X13 Flight Connecting Shaft
14	10-29999	X13 Boot-Tube Attach Plate
15	10-17466	Hydraulic Cylinder Assembly
16	10-27562	Ram Guide
17	10-20295	MKX130-84/94/114 Trackshoe
18	10-20296	MKX130-84/94/114 Track Stop
19	10-17459	Low Truss Tower
20	10-17460	High Truss Tower
21	10-21306	MKX/X 13 JOINER PLATE 3
22	10-19974	1/2" X 1-3/4" GR8 Bolt
23	10-21305	MKX130 JOINER PLATE 2
24	10-21304	MKX130 JOINER PLATE 1
25	10-21301	MKX130-84/94 LONG ADJUST TUBE
26	10-21310	MKX130-84/94 LONG TRUSS TUBE
27	10-20078	X13 Truss Cross Brace
28	10-27588	5/8" Flange Nut
29	10-27576	Thrust Adjuster Cover
30	10-21171	Thrust Adjuster Bushing
31	10-27587	1-1/2" UNF Hex Nut
32	10-19600	5/8" Locknut
33	10-17527	1-3/4" Bearing with Collar
34	10-18518	1-3/4" Bearing, with 4 hole Flange
35	10-19222	1/4" Fine Thread Zirk
36	10-29231	Flight Bearing Mount Plate
37	10-27979	3/8" X 2" GR5 Bolt
38	10-18544	5/8" X 1-3/4" GR5 Bolt
39	10-29308	13" Rolled Spout
40	10-18987	Half Clamp
41	10-18698	7/16" X 1-1/4" GR8 Bolt
42	10-17593	7/16" Locknut, GR5
43	10-17632	5/8" X 5-1/2" Bolt
44	10-27589	5/8" X 2-1/2" GR5 Bolt
45	10-20297	MKX Short Spacer Bushing
46	10-17010	1" Flat Washer
47	10-20298	Long Spacer Bushing
48	10-17016	1" X 3-1/2" Bolt
49	10-20080	1" HEXNUT
50	10-17015	1" X 10" GR8 Bolt



Note: GULP 2 hopper bracket added to the lower middle tube in 2014. This part is backwards compatible with all previous models. Installing a new tube that includes the GULP 2 hopper bracket does not necessarily make an auger GULP 2 hopper compatible. Please call customer service for more information.

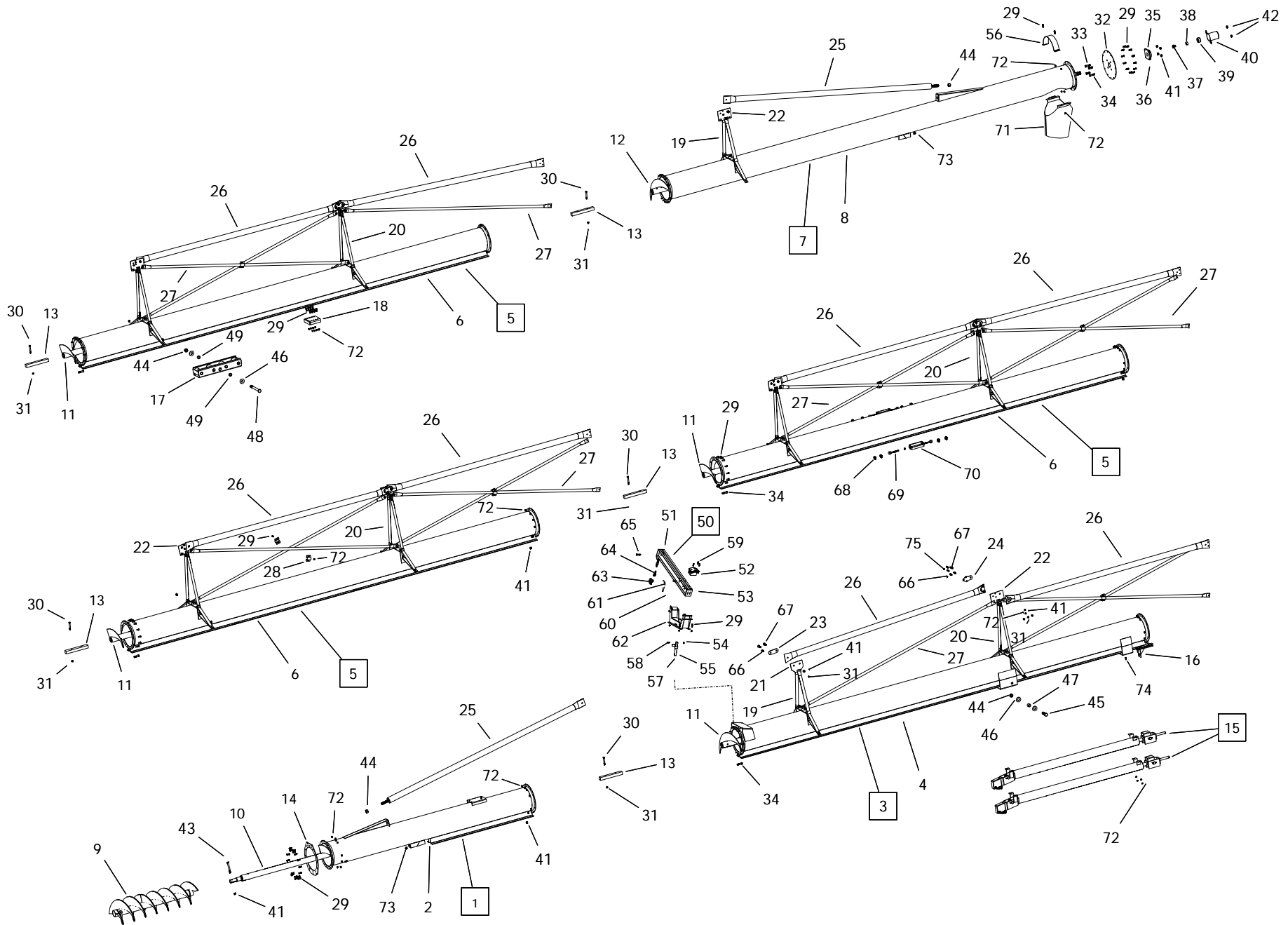
MKX130-94 TUBES&TRUSS COMPONENTS (SN: 256000+)

ITEM	PART NO.	DESCRIPTION
51	10-20030	X13 Lift Arm Assembly
52	10-20028	X13 Lift Arm
53	10-23134	Lift Arm Pulley Guide Assembly (2017)
54	10-20032	X13 Lift Arm Base
55	10-18955	3/8" X 1" NC BOLT GR 5 PLTD
57	10-17402	3/8" NC NYLON LOCKNUT PLTD
58	10-28450	3/8" X 1-3/4" GR5 Bolt
59	10-20031	Lift Arm Swivel
60	10-19648	X13 Saddle Pin
61	10-19463	7/16" X 3/4" X 1/8" Hairpin
62	10-28997	1/2" Eye Hoist With Latch
63	10-20083	5/16" Midlink
64	10-17403	1/2" X 2-1/2" GR5 Bolt
65	10-17405	Crossbrace Clamp
66	10-19542	7/16" X 1" GR5 Bolt
67	10-18947	1/2" X 4" GR8 Bolt
68	10-17750	1/2" Locknut GR5
69	10-19545	7/16" X 2-1/4" GR8 Bolt
70	10-18990	3/8" Cable Clamp
71	10-19331	1/2" Eyebolt
72	10-17464	MK91 Turnbuckle
73	10-19333	5/16" Cable Clamp
74	10-27484	5/8" X 2-1/4" Bolt
75	10-19589	1/2" X 1-1/2" GR8 Bolt
76	10-17576	MKX130-94 Upper/Lower Stabilizer Cable (Not Shown)
77	10-19599	1/2" NC Nylon Locknut GR2 PLTD
78	10-19598	7/16" NC NYLON LOCKNUT GR 2 PLTD
79	10-18079	5/16" X 2" Roll Pin
80	10-29251	5/8" X 2-3/4" GR8 PLTD
81	10-19981	7/16" X 1-3/4" GR8 BOLT
82	10-17020	1" FLAT WASHER
83	10-17019	1" NC NYLON LOCKNUT
84	10-17376	MK LP HOPPER CABLE (NOT SHOWN)
85	10-17262	5/8" Lockwasher Pltd.
86	10-21432	CHAIN, 5/16" GRADE 30 (4 LINKS)
87	10-21494	LIFT ARM PULLEY ASSEMBLY
88	9900560	1/2" X 2-1/4" NC BOLT GR 5 PLTD



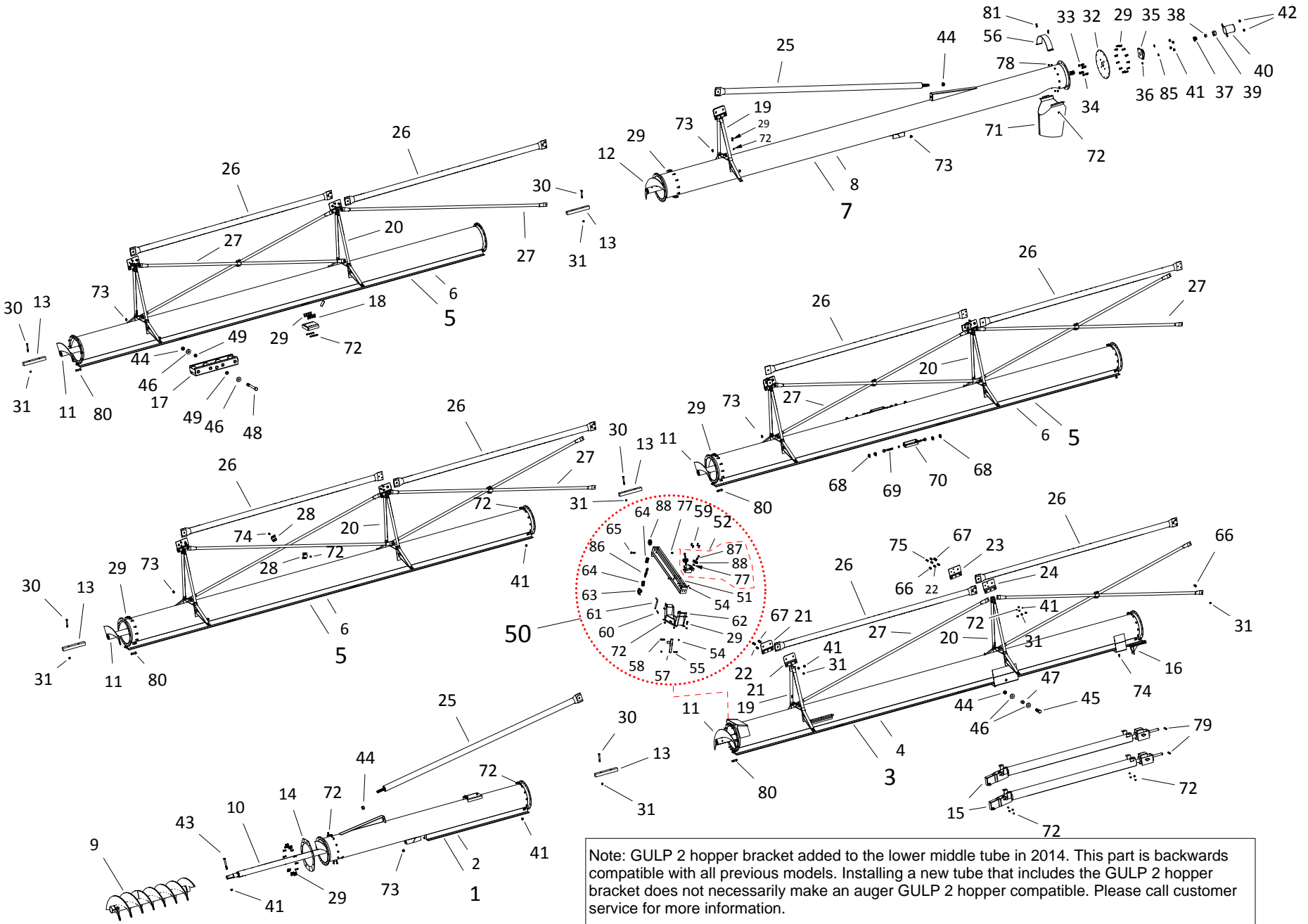
MKX130-114 TUBES & TRUSS COMPONENTS (SN: 248752-255999)

ITEM	PART NO.	DESCRIPTION
1	10-20349	MKX130-94/114 Lower Tube Bundle
2	10-20218	MKX130-94/114 Lower Tube Only
3	10-20351	MKX130-114 Lower Middle Tube Bundle
4	10-20219	MKX130-114 Lower Middle Tube Only
5	10-20345	MKX130-84/94/114 Middle Tube Bundle
6	10-20220	MKX130-84/94/114 Middle Tube Only
7	10-20344	MKX130-84/94/114 Upper Tube Bundle
8	10-20221	MKX130-84/94/114 Upper Tube Only
9	10-29964	X13 Boot Flight
10	10-20194	MKX13 Lower Flight
11	10-29987	X13 Middle Flight
12	10-29986	X13 Upper Flight
13	10-29985	X13 Flight Connecting Shaft
14	10-29999	Boot Tube Attach Plate
15	10-17650	Hydraulic Cylinder Assembly
16	10-27562	Ram Guide
17	10-20295	MKX130-84/94/114 Trackshoe
18	10-20296	MKX130-84/94/114 Track Stop
19	10-17459	Low Truss Tower
20	10-17460	High Truss Tower
21	10-20640	Truss Joiner Plate, Single
22	10-20341	Truss Joiner Plate, Triple
23	10-20339	Truss Joiner Plate, 2
24	10-20338	Truss Joiner Plate,1
25	10-20223	MKX130-114 Truss Adjust Tube
26	10-20253	MKX130-114 Truss Tube
27	10-20254	MKX130-114 Truss Cross Brace
28	10-17405	Crossbrace Clamp
29	10-18698	7/16" X 1-1/4" GR8 Bolt
30	10-18947	1/2" X 4" GR8 Bolt
31	10-17750	1/2" Locknut
32	10-29231	Flight Bearing Mount Plate
33	10-18544	5/8" X 1-3/4" GR5 Bolt
34	10-27589	5/8" X 2-1/2" GR5 Bolt
35	10-18518	1-3/4" Bearing, with 4 hole Flange
36	10-19222	1/4" Fine Thread Zirk
37	10-17527	1-3/4" Bearing with Collar
38	10-21171	Thrust Adjuster Bushing
39	10-27587	1-1/2" UNF Hex Nut
40	10-27576	Thrust Adjuster Cover
41	10-19600	5/8" Locknut
42	10-27588	5/8" Flange Nut
43	10-18545	5/8" X 4-1/2" Bolt
44	10-17019	1" Locknut
45	10-17016	1" X 3-1/2" Bolt
46	10-17010	1" Flat Washer
47	10-17021	MKX Short Spacer Bushing
48	10-17015	1" X 10" GR8 Bolt
49	10-17022	Long Spacer Bushing
50	10-20030	X13 Lift Arm Assembly



MKX130-114 TUBES & TRUSS COMPONENTS (SN: 248752-255999)

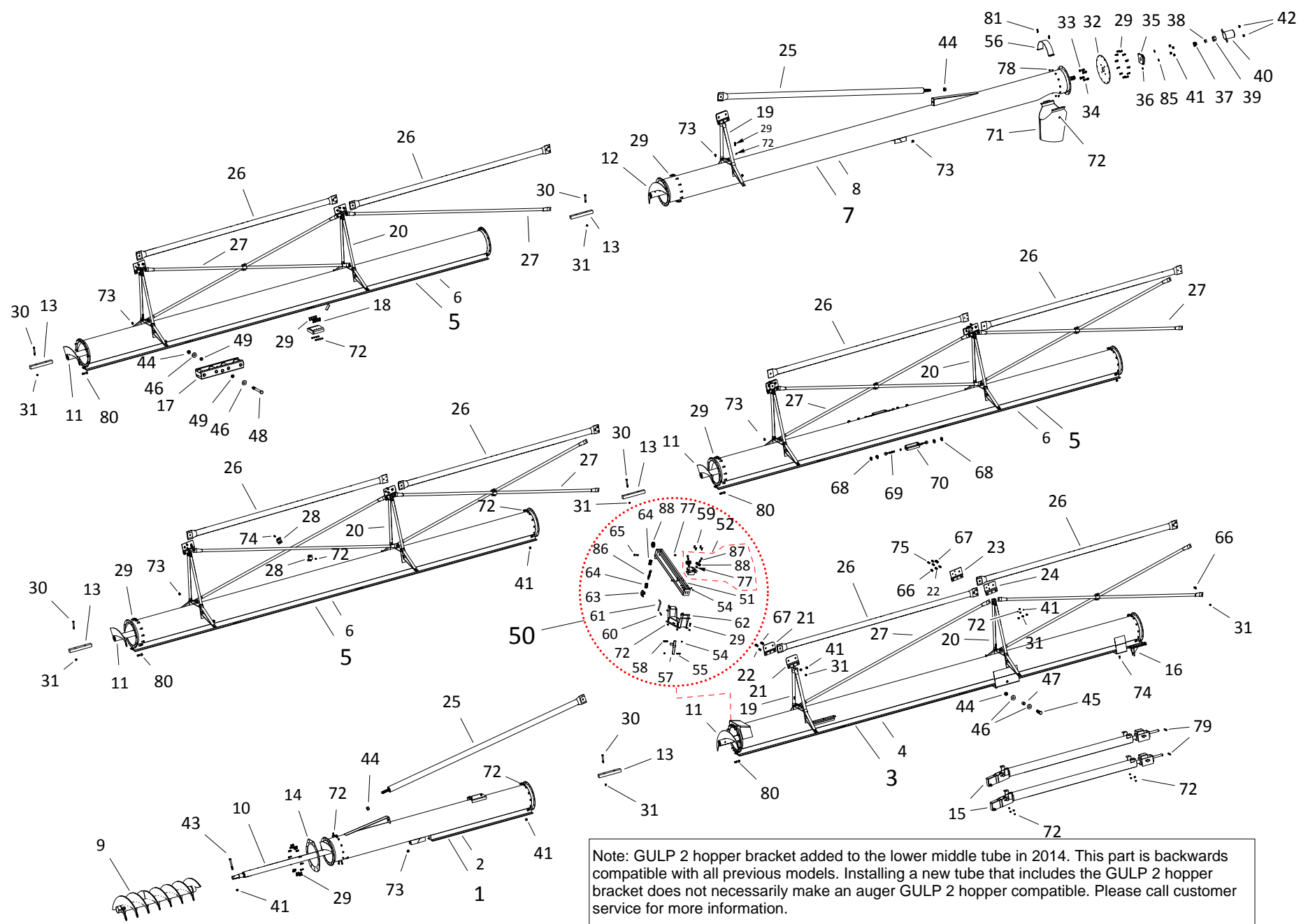
ITEM	PART NO.	DESCRIPTION
51	10-20028	X13 Lift Arm
52	10-20033	X13 Lift Arm Pulley Guide
53	10-28449	1/4" Locknut GR5
54	10-17402	3/8" NC NYLON LOCKNUT PLTD
55	10-28450	3/8" X 1-3/4" GR5 Bolt
56	10-18987	13" Half band
57	10-20031	Lift Arm Swivel
58	10-27979	3/8" X 2" GR5 Bolt
59	9900800	1/4" x 3/4" GR5 Bolt
60	10-19463	7/16" X 3/4" X 1/8" Hairpin
61	10-19648	X13 Saddle Pin
62	10-20032	X13 Lift Arm Base
63	10-28997	1/2" Eye Hoist With Latch
64	10-20083	5/16" Midlink
65	10-27816	1/2" X 2" GR5 Bolt
66	10-19589	1/2" X 1-1/2" GR5 Bolt
67	10-19991	5/8" X 2" Bolt
68	10-18990	3/8" Cable Clamp
69	10-19331	1/2" Eyebolt
70	10-17464	MK91 Turnbuckle
71	10-29308	13" Rolled Spout
72	10-17593	7/16" Locknut, GR5
73	10-19333	5/16" Cable Clamp
74	10-19542	7/16" X 1" GR5 Bolt
75	10-19981	7/16" X 1-3/4" GR8 Bolt
76	10-17032	MKX130-114 Lift Cable (Not Shown)



Note: GULP 2 hopper bracket added to the lower middle tube in 2014. This part is backwards compatible with all previous models. Installing a new tube that includes the GULP 2 hopper bracket does not necessarily make an auger GULP 2 hopper compatible. Please call customer service for more information.

MKX130-114 TUBES&TRUSS COMPONENTS (SN: 256000+)

ITEM	PART NO.	DESCRIPTION
1	10-20349	MKX130-94/114 Lower Tube Bundle
2	10-20218	MKX130-94/114 Lower Tube Only
3	10-20351	MKX130-114 Lower Middle Tube Bundle
4	10-20219	MKX130-114 Lower Middle Tube Only
5	10-20345	MKX130-84/94/114 Middle Tube Bundle
6	10-20220	MKX130-84/94/114 Middle Tube Only
7	10-20344	MKX130-84/94/114 Upper Tube Bundle
8	10-20221	MKX130-84/94/114 Upper Tube Only
9	10-29964	X13 Boot Flight
10	10-20194	MKX13 Lower Flight
11	10-29987	X13 Middle Flight
12	10-29986	X13 Upper Flight
13	10-29985	X13 Flight Connecting Shaft
14	10-29999	Boot Tube Attach Plate
15	10-17650	Hydraulic Cylinder Assembly
16	10-27562	Ram Guide
17	10-20295	MKX130-84/94/114 Trackshoe
18	10-20296	MKX130-84/94/114 Track Stop
19	10-17459	Low Truss Tower
20	10-17460	High Truss Tower
21	10-21306	MKX/X 13 JOINER PLATE 3
22	10-19974	1/2" X 1-3/4" NC GR8 Bolt
23	10-21305	MKX130 JOINER PLATE 2
24	10-21304	MKX130 JOINER PLATE 1
25	10-21300	MKX130-114 LONG ADJUST TUBE
26	10-21303	MKX130-114 LONG TRUSS TUBE
27	10-20254	MKX130-114 Truss Cross Brace
28	10-17655	Crossbrace Clamp
29	10-18698	7/16" X 1-1/4" GR8 Bolt
30	10-18947	1/2" X 4" GR8 Bolt
31	10-17750	1/2" Locknut
32	10-29231	Flight Bearing Mount Plate
33	10-18544	5/8" X 1-3/4" GR5 Bolt
34	10-27589	5/8" X 2-1/2" GR8 Bolt
35	10-18518	1-3/4" Bearing, with 4 hole Flange
36	10-19222	1/4" Fine Thread Zirk
37	10-17527	1-3/4" Bearing with Collar
38	10-21171	Thrust Adjuster Bushing
39	10-27587	1-1/2" UNF Hex Nut
40	10-27576	Thrust Adjuster Cover
41	10-19600	5/8" Locknut
42	10-27588	5/8" Flange Nut
43	10-17632	5/8" X 5-1/2" Bolt
44	10-17019	1" Locknut
45	10-17016	1" X 3-1/2" Bolt
46	10-17010	1" Flat Washer
47	10-20297	MKX Short Spacer Bushing
48	10-17015	1" X 10" GR8 Bolt
49	10-20298	Long Spacer Bushing
50	10-20030	X13 Lift Arm Assembly

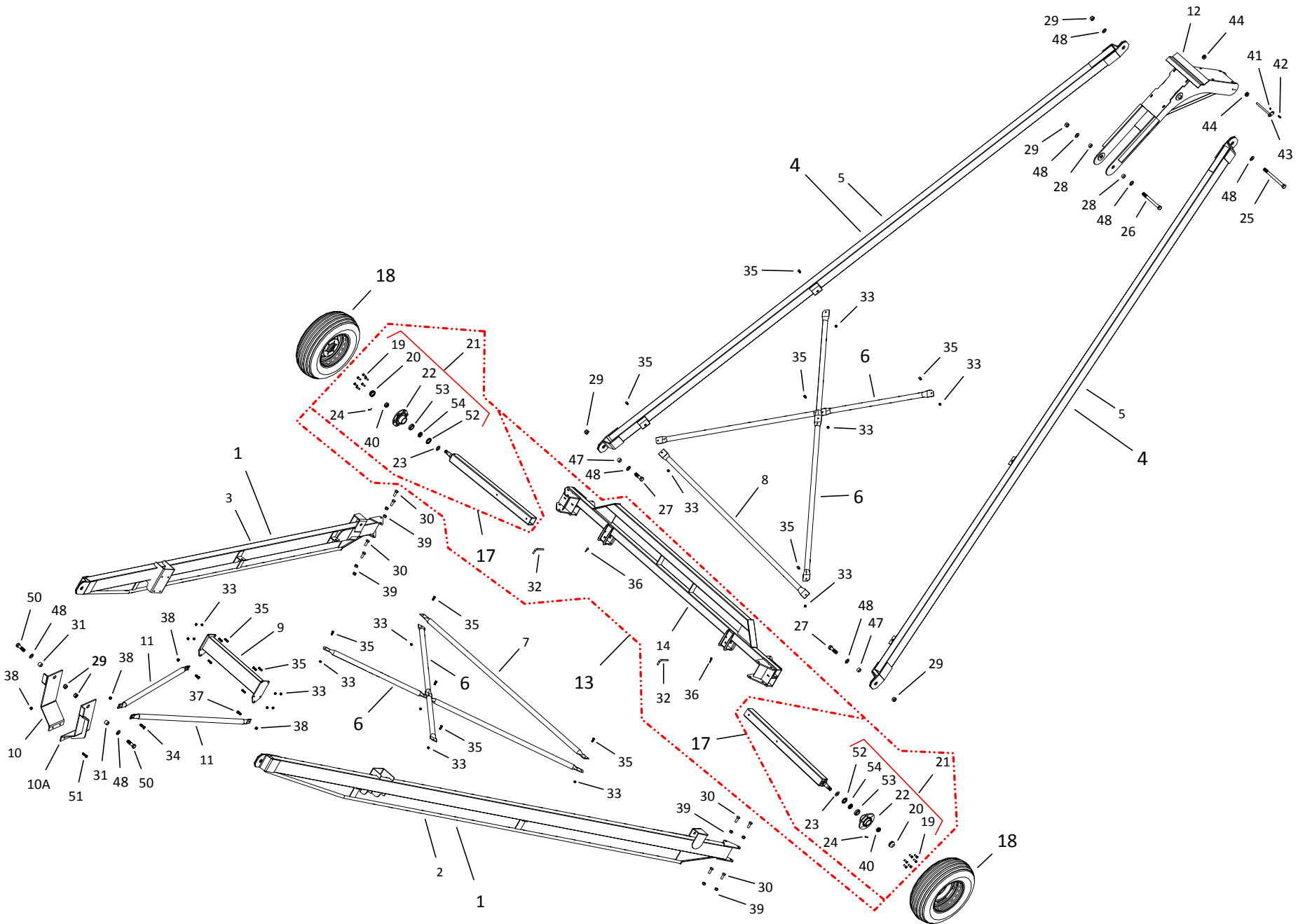


Note: GULP 2 hopper bracket added to the lower middle tube in 2014. This part is backwards compatible with all previous models. Installing a new tube that includes the GULP 2 hopper bracket does not necessarily make an auger GULP 2 hopper compatible. Please call customer service for more information.

MKX130-114 TUBES&TRUSS COMPONENTS (SN: 256000+)

ITEM	PART NO.	DESCRIPTION
51	10-20028	X13 Lift Arm
52	10-23134	Lift Arm Pulley Guide Assembly (2017)
54	10-17402	3/8" NC NYLON LOCKNUT PLTD
55	10-28450	3/8" X 1-3/4" GR5 Bolt
56	10-18987	13" Half band
57	10-20031	Lift Arm Swivel
58	10-27979	3/8" X 2" GR5 Bolt
59	10-18955	3/8" X 1" NC BOLT GR 5 PLTD
60	10-19463	7/16" X 3/4" X 1/8" Hairpin
61	10-19648	X13 Saddle Pin
62	10-20032	X13 Lift Arm Base
63	10-28997	1/2" Eye Hoist With Latch
64	10-20083	5/16" Midlink
65	10-17403	1/2" X 2-1/2" GR5 Bolt
66	10-19589	1/2" X 1-1/2" GR8 Bolt
67	10-27484	5/8" X 2-1/4" GR8 Bolt
68	10-18990	3/8" Cable Clamp
69	10-19331	1/2" Eyebolt
70	10-17464	MK91 Turnbuckle
71	10-29308	13" Rolled Spout
72	10-17593	7/16" Locknut, GR5
73	10-19333	5/16" Cable Clamp
74	10-19542	7/16" X 1" GR5 Bolt
75	10-19545	7/16" X 2-1/4" GR8 Bolt
76	10-17032	MKX130-114 Lift Cable (Not Shown)
77	10-19599	1/2" NC Nylon Locknut GR2 PLTD
78	10-19598	7/16" NC NYLON LOCKNUT GR 2 PLTD
79	10-18079	5/16" X 2" Roll Pin
80	10-29251	5/8" X 2-3/4" GR8 Bolt
81	10-19981	7/16" X 1-3/4" GR8 BOLT
82	10-17020	1" FLAT WASHER
83	10-20080	1" HEXNUT
85	10-17262	5/8" Lockwasher Pltd.
86	10-21432	CHAIN, 5/16" GRADE 30 (4 LINKS)
87	9900560	1/2" X 2-1/4" NC BOLT GR 5 PLTD
88	10-21494	LIFT ARM PULLEY ASSEMBLY

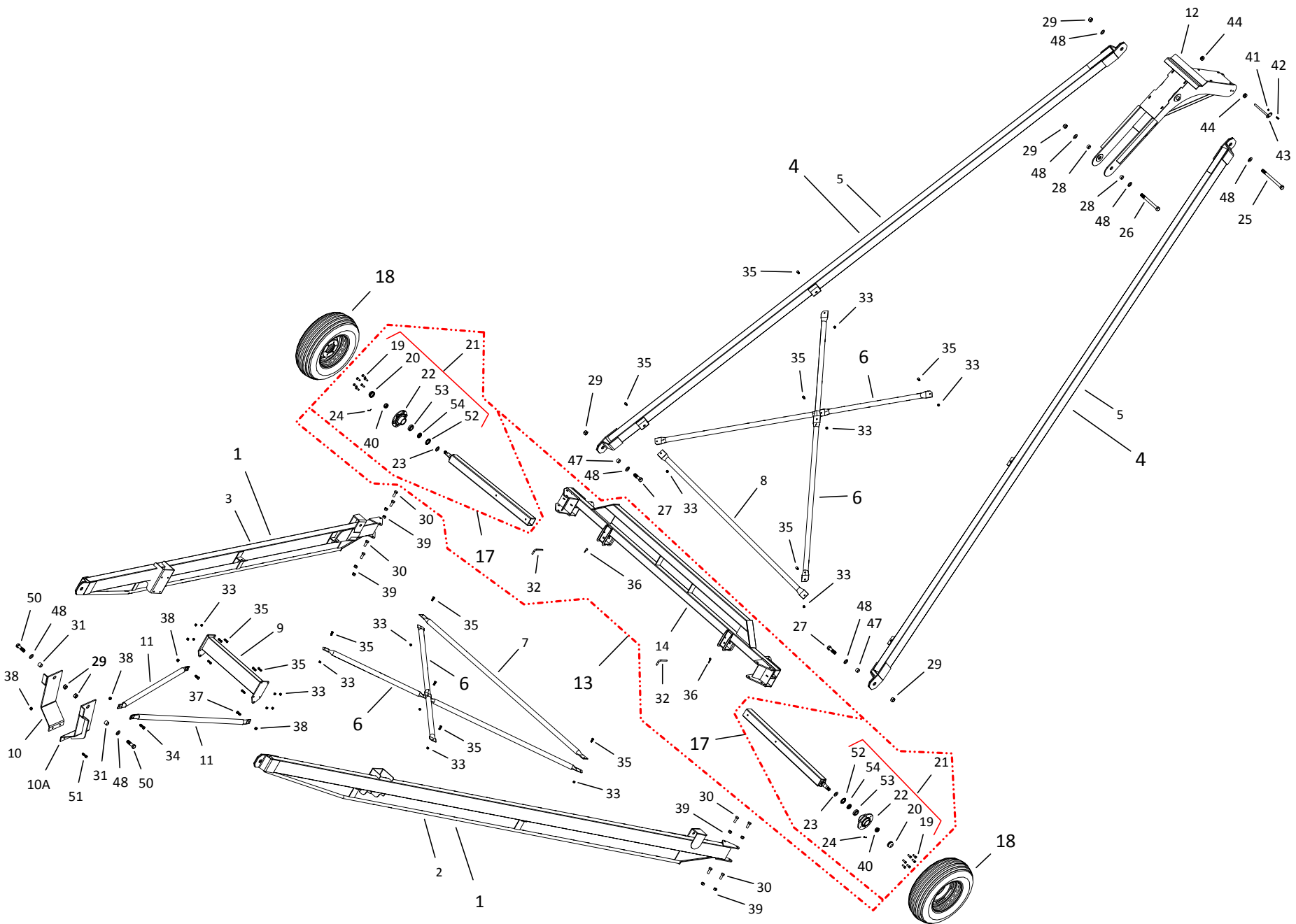
MKX130-84 FRAME COMPONENTS



MKX130-84 FRAME COMPONENTS

ITEM	PART NO.	DESCRIPTION
1	10-20462	Lower Frame + Tie Tube Bundle
2	10-20231	Lower Frame, RH
3	10-20230	Lower Frame, LH
4	10-20354	Upper Arm Bundle
5	10-20232	Upper Arm Only
6	10-20281	MKX130 Frame Cross Brace
7	10-20359	MKX130 Frame Tie Tube
8	10-20282	MKX130 Tie Tube
9	10-20229	MKX130 Short Cross Member
10	10-21865	Stabilizer Bracket, LH
10A	10-21866	Stabilizer Bracket, RH
11	10-20255	MKX 130 Stabilizer Brace
12	10-20214	MKX 130 Lift Assist
13	10-22624	MKX130 Axle Assy, 1-pc
14	10-22622	MKX130 Axle, 1-pc
17	10-29961	Axle Extension (2012)
18	10-29015	16 X 6 X 6 Wheel Assembly
19	10-17561	1/2" X 1-1/4" WHEEL BOLT
20	10-17012	MK130 Dust Cap
21	10-17013	HAD611Z Hub Assembly
22	10-17009	6 Bolt Hub, MK130
23	10-17010	1" SAE Flat Washer
24	10-19271	1/8" X 1-1/2" Cotter Pin
25	10-20303	1" X 12" GR8 Bolt
26	10-17015	1" x 10" GR8 Bolt
27	10-17016	1" X 3-1/2" GR8 Bolt
28	10-20297	MKX130 Short Spacer Bushing
29	10-17019	1" Locknut
30	10-19592	3/4" X 2" Bolt
31	10-20298	MKX130 Long Spacer Bushing
32	10-19648	SADDLE PIN
33	10-17750	1/2" Locknut
34	10-27484	5/8" X 2-1/4" Bolt
35	10-19589	1/2" X 1-1/2" GR8 Bolt
36	10-19463	7/16" X 3/4" X 1/8" Hairpin
37	10-19991	5/8" X 2" Bolt
38	10-19600	5/8" Locknut
39	10-19601	3/4" Locknut
40	10-17011	1" slotted nut
41	10-17402	3/8" NC NYLON LOCKNUT PLTD
42	10-19975	3/8" X 1-1/4" NC BOLT GR 5 PLTD
43	10-23029	PIN, LOCK
44	10-23079	CABLE THIMBLE PULLEY
47	10-20360	MKX130 MEDIUM SPACER BUSHING
48	10-17020	1" FLAT WASHER PLTD
49	9900683	1/4" FLAT WASHER PLTD
50	10-21524	1" X 4-1/2" GR8 BOLT
51	10-19590	5/8" x 1-1/2" GR8 Bolt
52	10-17006	HUB SEAL
53	10-17007	LG HUB BEARING

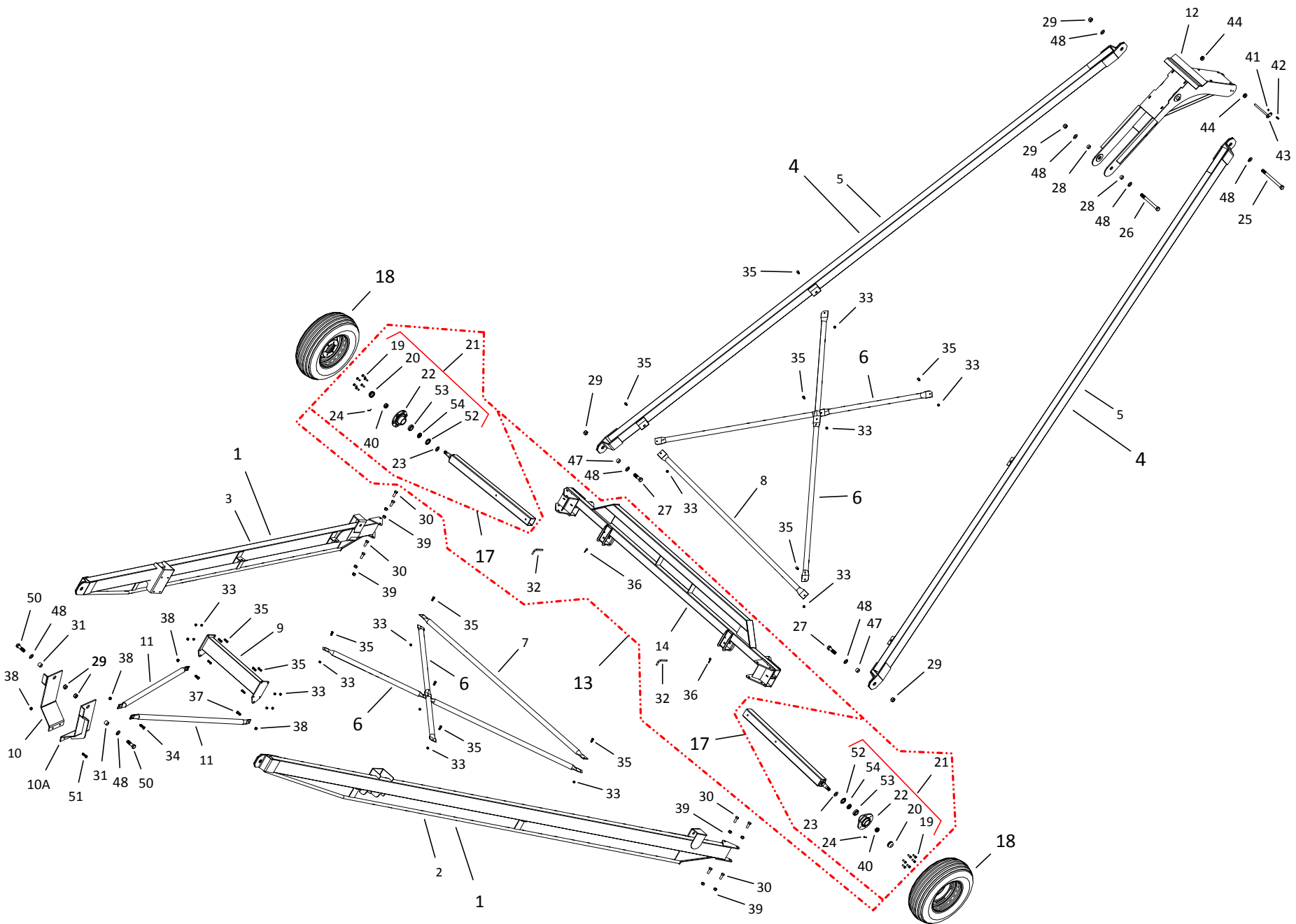
MKX130-84 FRAME COMPONENTS



MKX130-84 FRAME COMPONENTS

ITEM	PART NO.	DESCRIPTION
54	10-19265	CONE BEARING

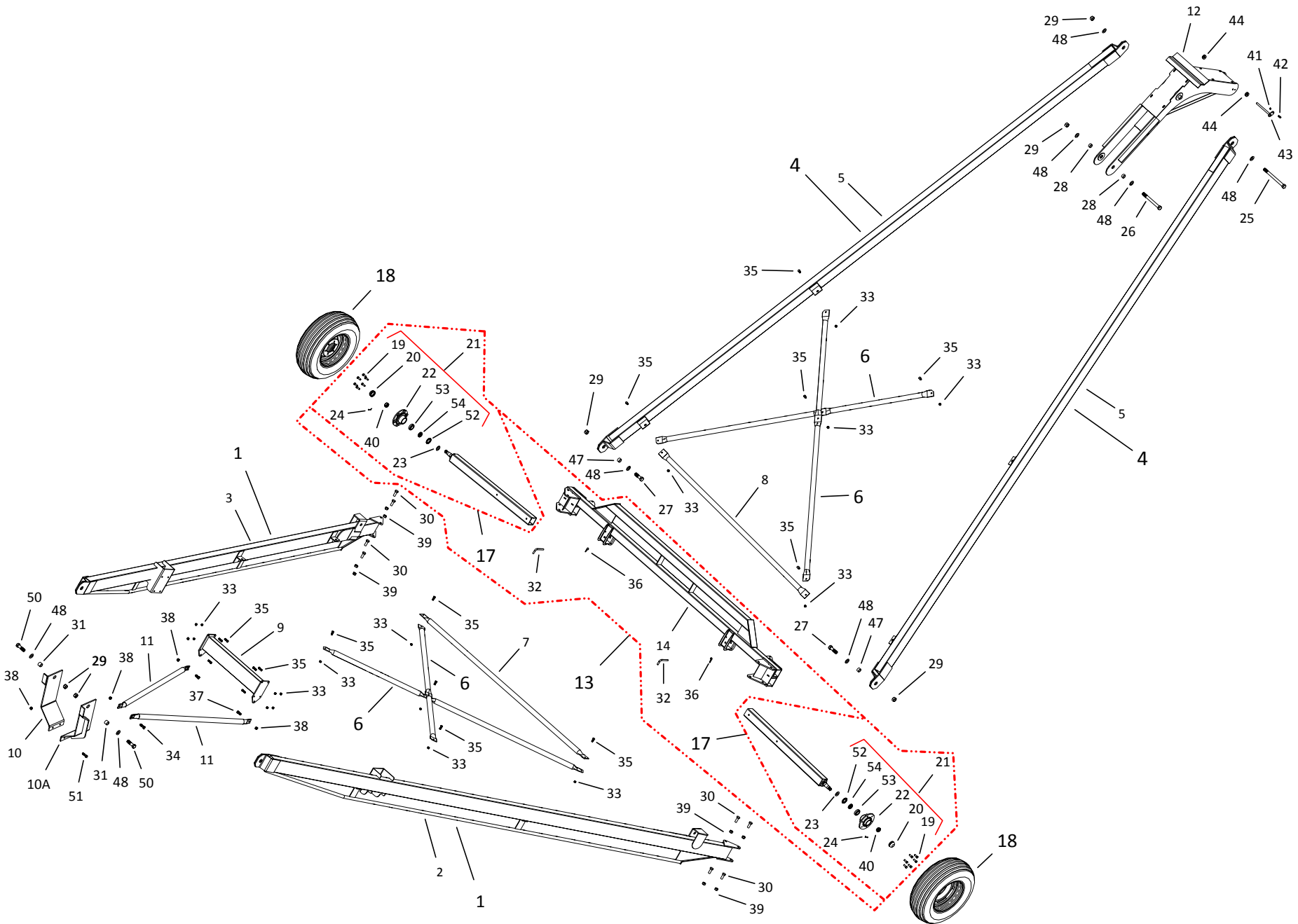
MKX130-94 FRAME COMPONENTS



MKX130-94 FRAME COMPONENTS

ITEM	PART NO.	DESCRIPTION
1	10-20463	Lower Frame + Tie Tube Bundle
2	10-20226	Lower Frame, RH
3	10-20225	Lower Frame, LH
4	10-20286	Upper Arm Bundle
5	10-20227	Upper Arm Only
6	10-20281	MKX130 Frame Cross Brace
7	10-20282	MKX130 Frame Tie Tube
8	10-20358	MKX130 Tie Tube
9	10-20215	MKX130 Short Cross Member
10	10-21865	Stabilizer Bracket, LH
10A	10-21866	Stabilizer Bracket, RH
11	10-20255	MKX 130 Stabilizer Brace
12	10-20214	MKX 130 Lift Assist
13	10-22624	MKX130 Axle Assy, 1-pc
14	10-22622	MKX130 Axle, 1-pc
17	10-29961	Axle Extension (2012)
18	10-29015	16 X 6 X 6 Wheel Assembly
19	10-17561	1/2" X 1-1/4" WHEEL BOLT
20	10-17012	MK130 Dust Cap
21	10-17013	HAD611Z Hub Assembly
22	10-17009	6 Bolt Hub, MK130
23	10-17010	1" SAE Flat Washer
24	10-19271	1/8" X 1-1/2" Cotter Pin
25	10-20303	1" X 12" GR8 Bolt
26	10-17015	1" x 10" GR8 Bolt
27	10-17016	1" X 3-1/2" GR8 Bolt
28	10-20297	MKX130 Short Spacer Bushing
29	10-17019	1" Locknut
30	10-19592	3/4" X 2" Bolt
31	10-20298	MKX130 Long Spacer Bushing
32	10-19648	SADDLE PIN
33	10-17750	1/2" Locknut
34	10-27484	5/8" X 2-1/4" Bolt
35	10-19589	1/2" X 1-1/2" GR8 Bolt
36	10-19463	7/16" X 3/4" X 1/8" Hairpin
37	10-19991	5/8" X 2" Bolt
38	10-19600	5/8" Locknut
39	10-19601	3/4" Locknut
40	10-17011	1" slotted nut
41	10-17402	3/8" NC NYLON LOCKNUT PLTD
42	10-19975	3/8" X 1-1/4" NC BOLT GR 5 PLTD
43	10-23029	PIN, LOCK
44	10-23079	CABLE THIMBLE PULLEY
47	10-20360	MKX130 MEDIUM SPACER BUSHING
48	10-17020	1" FLAT WASHER PLTD
49	9900683	1/4" FLAT WASHER PLTD
50	10-21524	1" X 4-1/2" GR8 BOLT
51	10-19590	5/8" x 1-1/2" GR8 Bolt
52	10-17006	HUB SEAL
53	10-17007	LG HUB BEARING

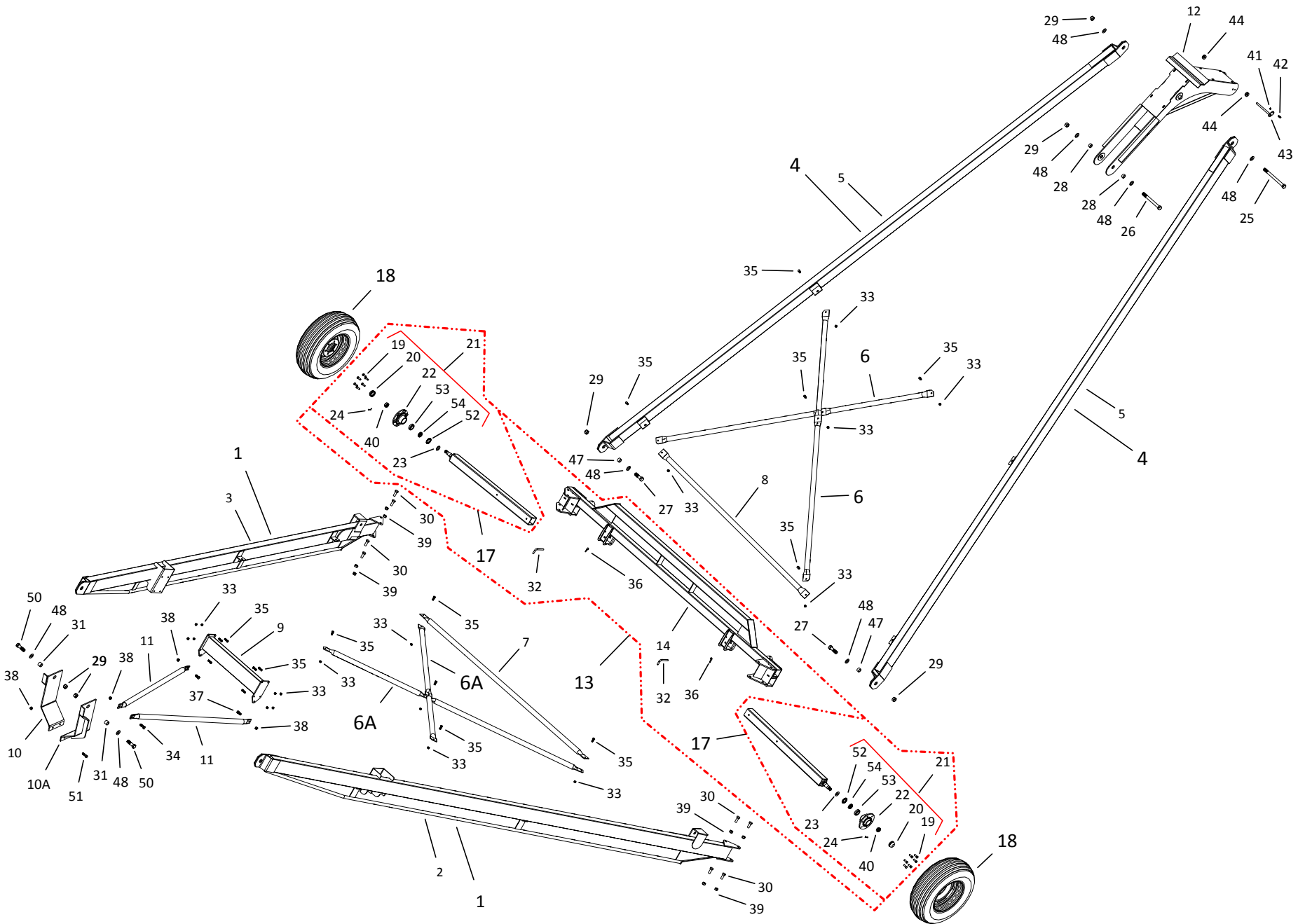
MKX130-94 FRAME COMPONENTS



MKX130-94 FRAME COMPONENTS

ITEM	PART NO.	DESCRIPTION
54	10-19265	CONE BEARING

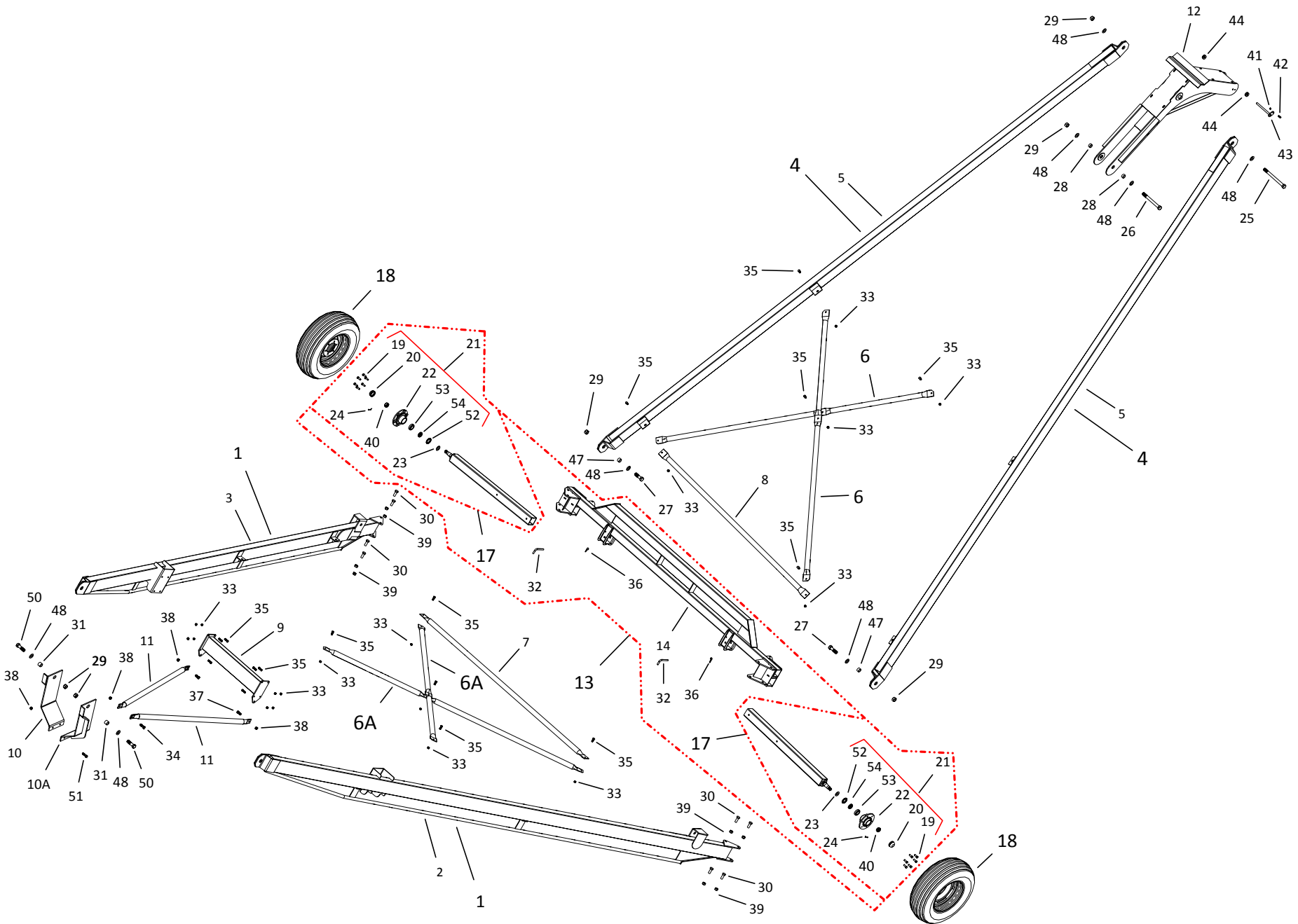
MKX130-114 FRAME COMPONENTS



MKX130-114 FRAME COMPONENTS

ITEM	PART NO.	DESCRIPTION
1	10-20242	Lower Frame + Tie Tube Bundle
2	10-20217	Lower Frame, RH
3	10-20216	Lower Frame, LH
4	10-20352	Upper Arm Bundle
5	10-20213	Upper Arm Only
6	10-20281	MKX130 Frame Cross Brace
6A	10-20378	MKX130 Frame Cross Brace
7	10-20379	MKX130 Frame Tie Tube
8	10-20380	MKX130 Tie Tube
9	10-20215	MKX130 Short Cross Member
10	10-21865	Stabilizer Bracket, LH
10A	10-21866	Stabilizer Bracket, RH
11	10-20255	MKX 130 Stabilizer Brace
12	10-20214	MKX 130 Lift Assist
13	10-22624	MKX130 Axle Assy, 1-pc
14	10-22622	MKX130 Axle, 1-pc
17	10-29961	Axle Extension (2012)
18	10-29015	16 X 6 X 6 Wheel Assembly
19	10-17561	1/2" X 1-1/4" WHEEL BOLT
20	10-17012	MK130 Dust Cap
21	10-17013	HAD611Z Hub Assembly
22	10-17009	6 Bolt Hub, MK130
23	10-17010	1" SAE Flat Washer
24	10-19271	1/8" X 1-1/2" Cotter Pin
25	10-20303	1" X 12" GR8 Bolt
26	10-17015	1" x 10" GR8 Bolt
27	10-17016	1" X 3-1/2" GR8 Bolt
28	10-20297	MKX130 Short Spacer Bushing
29	10-17019	1" Locknut
30	10-19592	3/4" X 2" Bolt
31	10-20298	MKX130 Long Spacer Bushing
32	10-19648	SADDLE PIN
33	10-17750	1/2" Locknut
34	10-27484	5/8" X 2-1/4" Bolt
35	10-19589	1/2" X 1-1/2" GR8 Bolt
36	10-19463	7/16" X 3/4" X 1/8" Hairpin
37	10-19991	5/8" X 2" Bolt
38	10-19600	5/8" Locknut
39	10-19601	3/4" Locknut
40	10-17011	1" slotted nut
41	10-17402	3/8" NC NYLON LOCKNUT PLTD
42	10-19975	3/8" X 1-1/4" NC BOLT GR 5 PLTD
43	10-23029	PIN, LOCK
44	10-23079	CABLE THIMBLE PULLEY
47	10-20360	MKX130 MEDIUM SPACER BUSHING
48	10-17020	1" FLAT WASHER PLTD
50	10-21524	1" X 4-1/2" GR8 BOLT
51	10-19590	5/8" x 1-1/2" GR8 Bolt
52	10-17006	HUB SEAL
53	10-17007	LG HUB BEARING

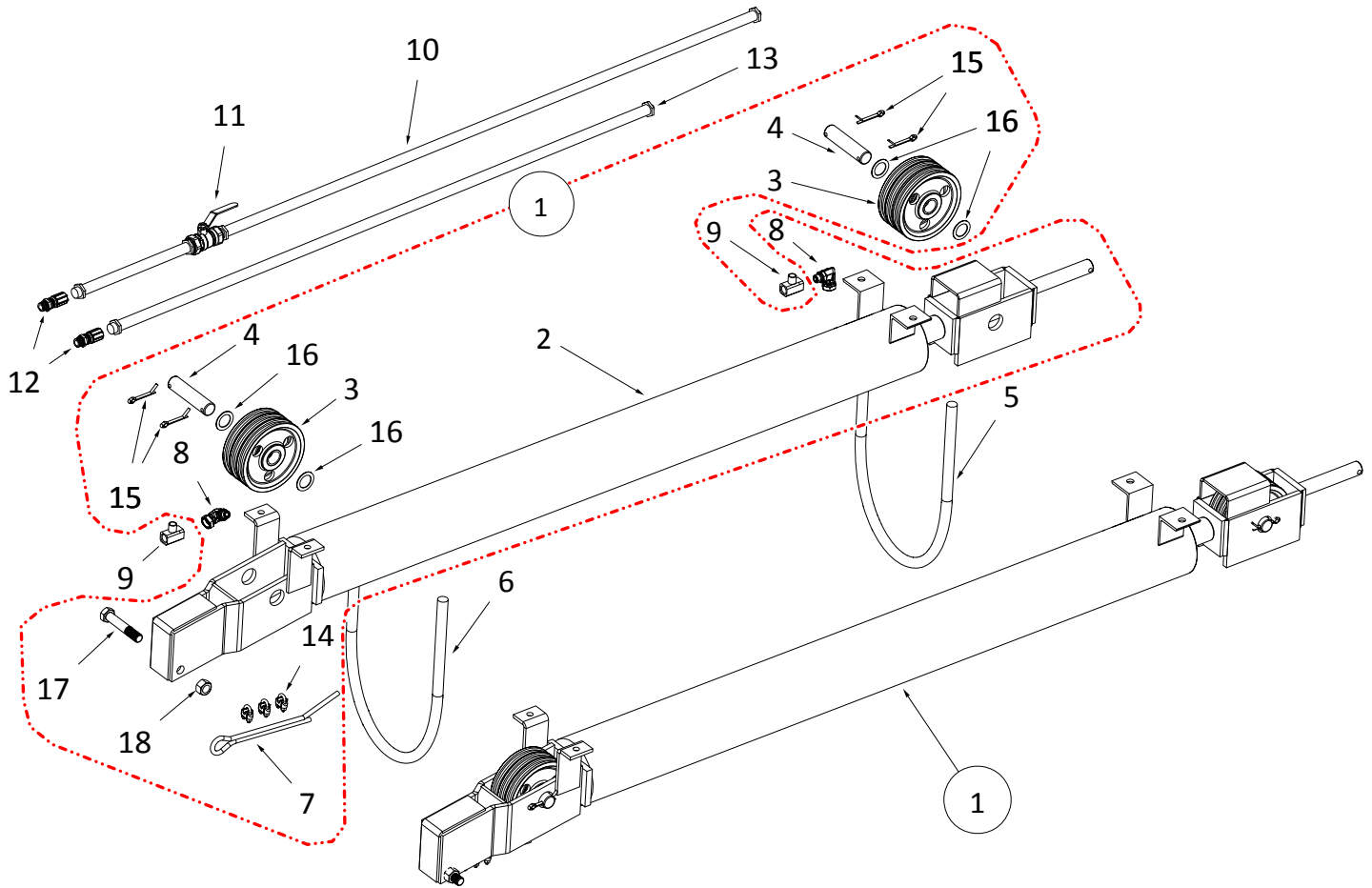
MKX130-114 FRAME COMPONENTS



MKX130-114 FRAME COMPONENTS

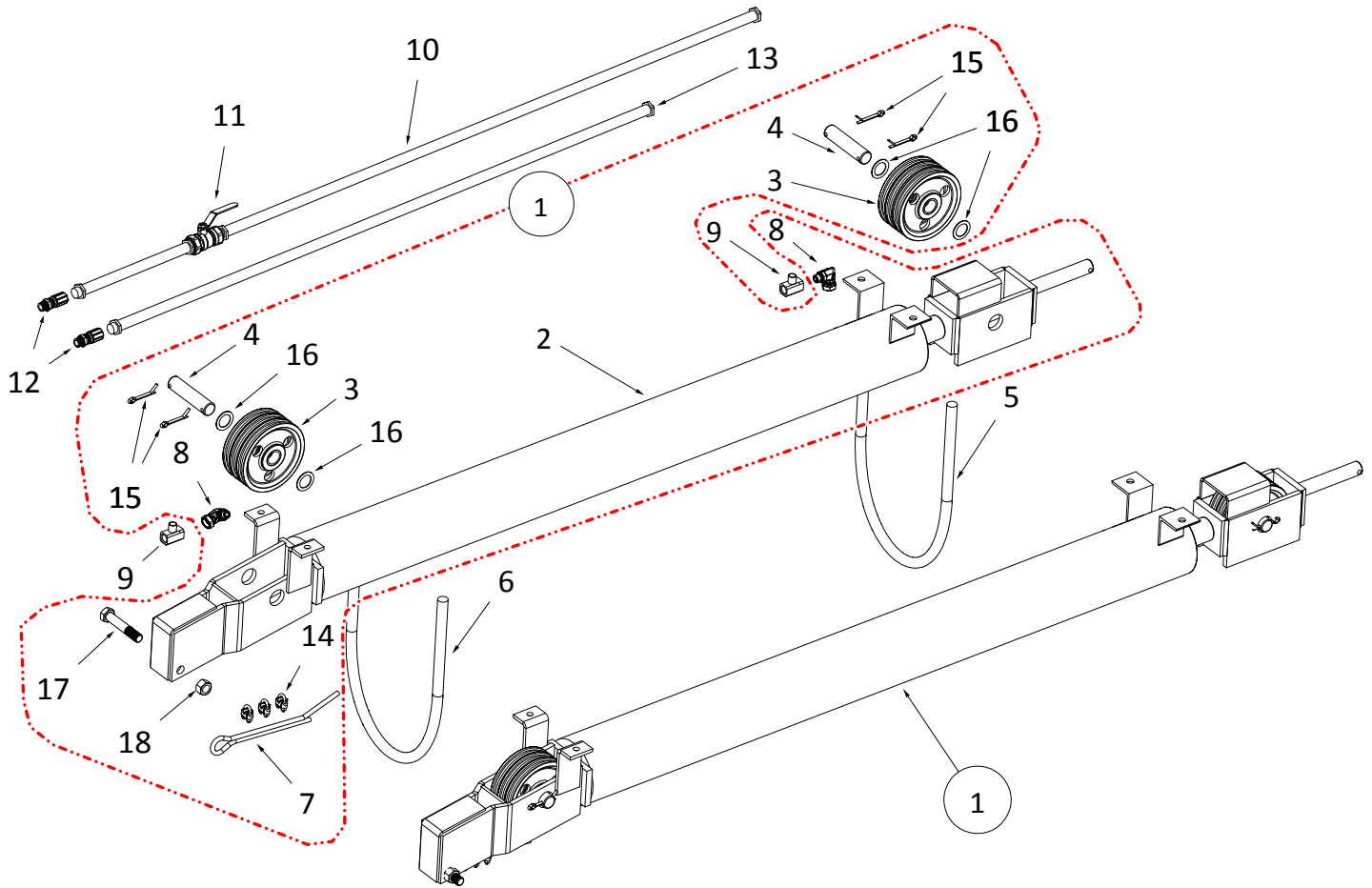
ITEM	PART NO.	DESCRIPTION
54	10-19265	CONE BEARING

MKX130-84 HYDRAULIC HOSE COMPONENTS



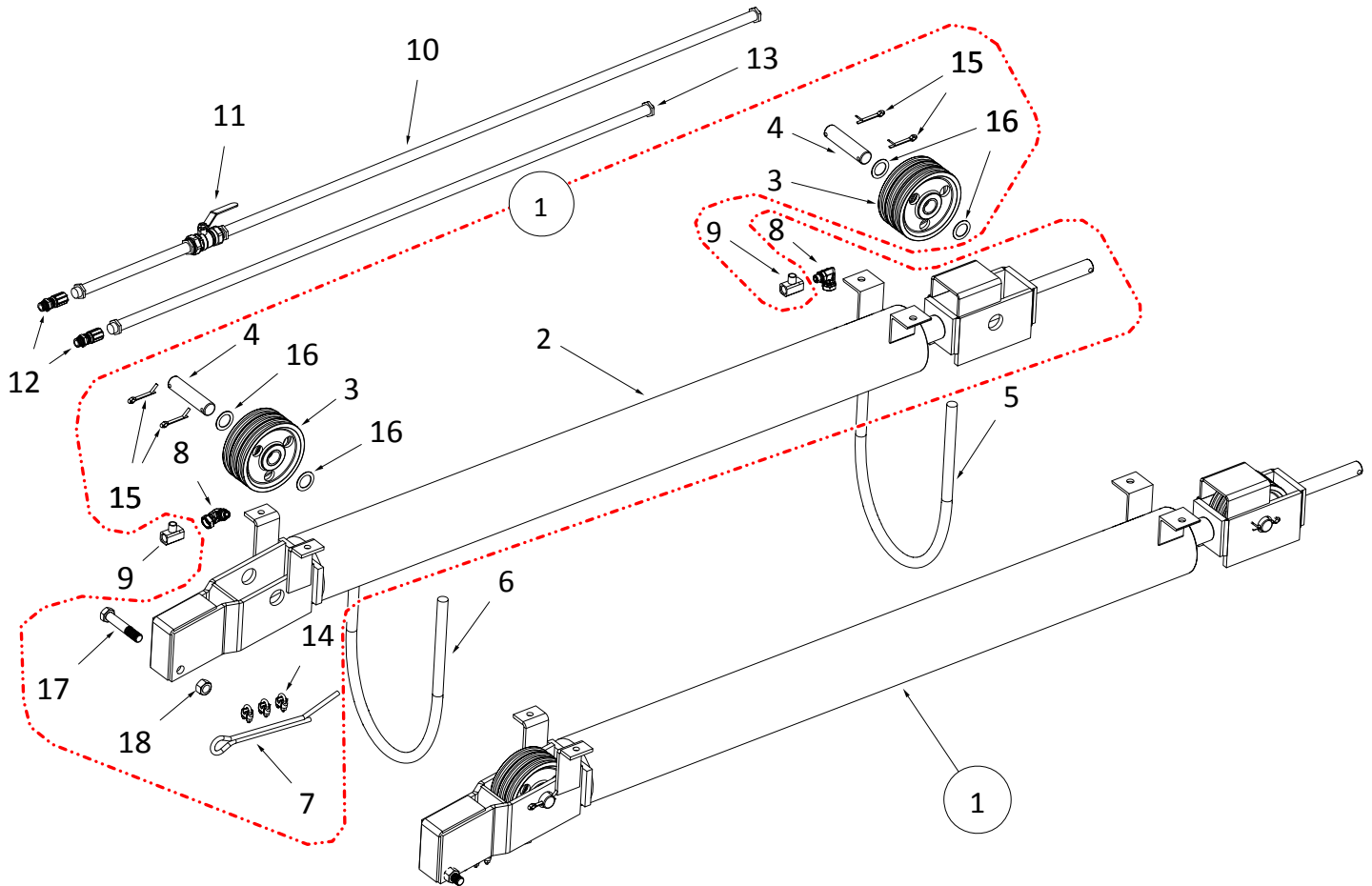
ITEM	PART NO.	DESCRIPTION
1	10-20523	Hydraulic Cylinder Assembly
2	10-27541	Hydraulic Cylinder Only
3	10-19918	Pulley 5.5"
4	10-18089	HYD CYLINDER PIN
5	10-17468	3/8" x 32" Hydraulic Hose
6	10-18739	3/8" x 16" Hydraulic Hose
7	10-20333	LIFT CABLE
8	10-22191	STEEL ELBOW 6MORB X 3/8 F NPSM
9	10-18736	3/8" Street Tee
10	10-20323	MKX84 CYL HOSE ASSEMBLY
11	10-18084	BALL VALVE
12	9900047	Pioneer Coupler
13	10-20322	HYDRAULIC RETURN HOSE
14	10-19333	5/16" Cable clamp
15	10-18098	COTTER PIN 1/4 X 1-3/4 C.ZINC PLTD
16	10-18097	1" RIM WASHER PLTD
17	10-18093	5/8" X 3-1/2" NC BOLT GR 5 PLTD
18	10-19600	5/8" NC NYLON LOCKNUT PLTD

MKX130-94 HYDRAULIC HOSE COMPONENTS

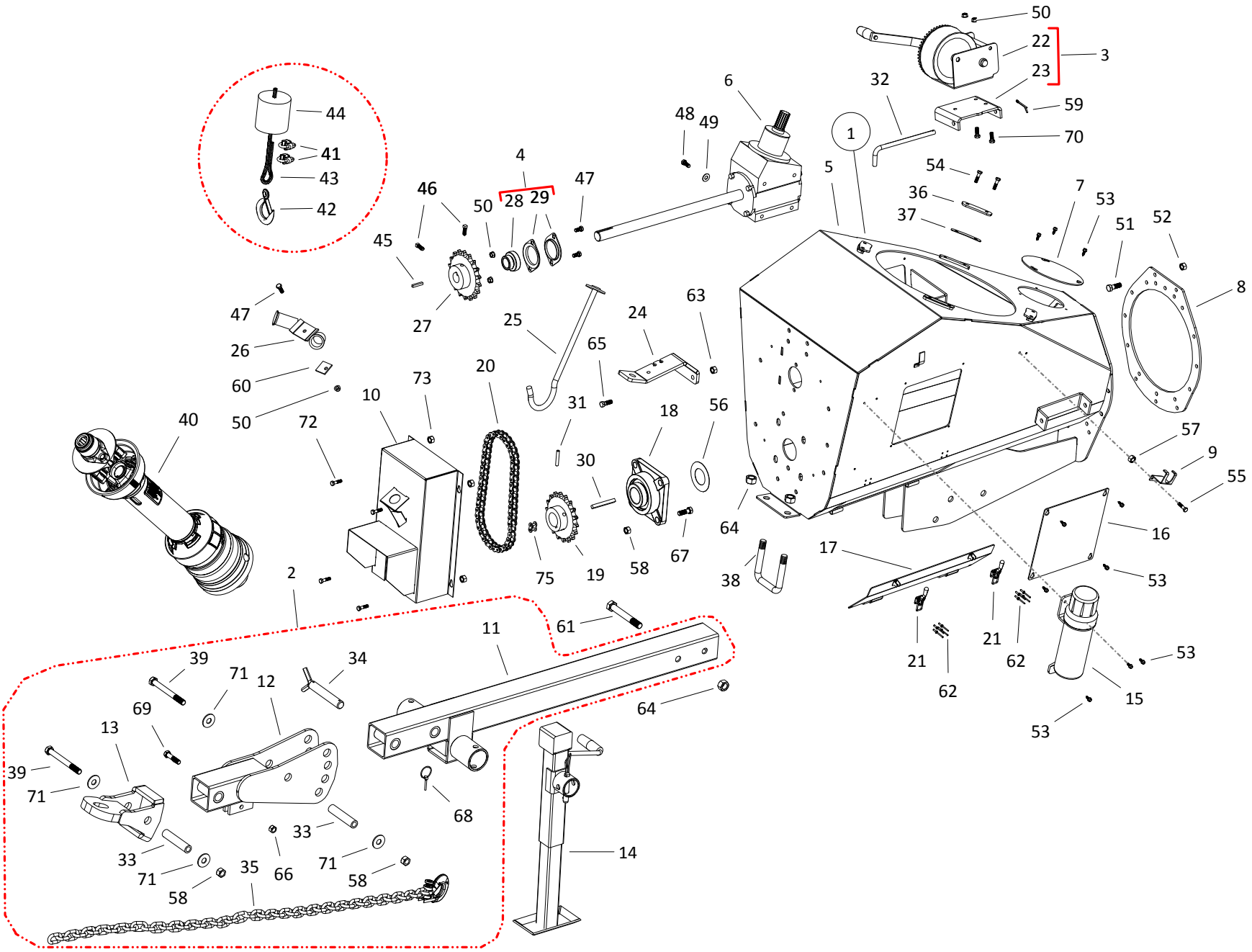


ITEM	PART NO.	DESCRIPTION
1	10-17466	Hydraulic Cylinder Assembly
2	10-17388	Hydraulic cylinder only
3	10-19918	Pulley 5.5"
4	10-18089	HYD CYLINDER PIN
5	10-17468	3/8" x 32" Hydraulic Hose
6	10-18739	3/8" x 16" Hydraulic Hose
7	10-17380	LIFT CABLE
8	10-22191	STEEL ELBOW 6MORB X 3/8 F NPSM
9	10-18736	3/8" Street Tee
10	10-20326	MKX94 CYL HOSE ASSEMBLY
11	10-18084	BALL VALVE
12	9900047	Pioneer Coupler
13	10-20325	HYDRAULIC RETURN HOSE
14	10-19333	5/16" Cable clamp
15	10-18098	COTTER PIN 1/4 X 1-3/4 C.ZINC PLTD
16	10-18097	1" RIM WASHER PLTD
17	10-18093	5/8" X 3-1/2" NC BOLT GR 5 PLTD
18	10-19600	5/8" NC NYLON LOCKNUT PLTD

MKX130-114 HYDRAULIC HOSE COMPONENTS

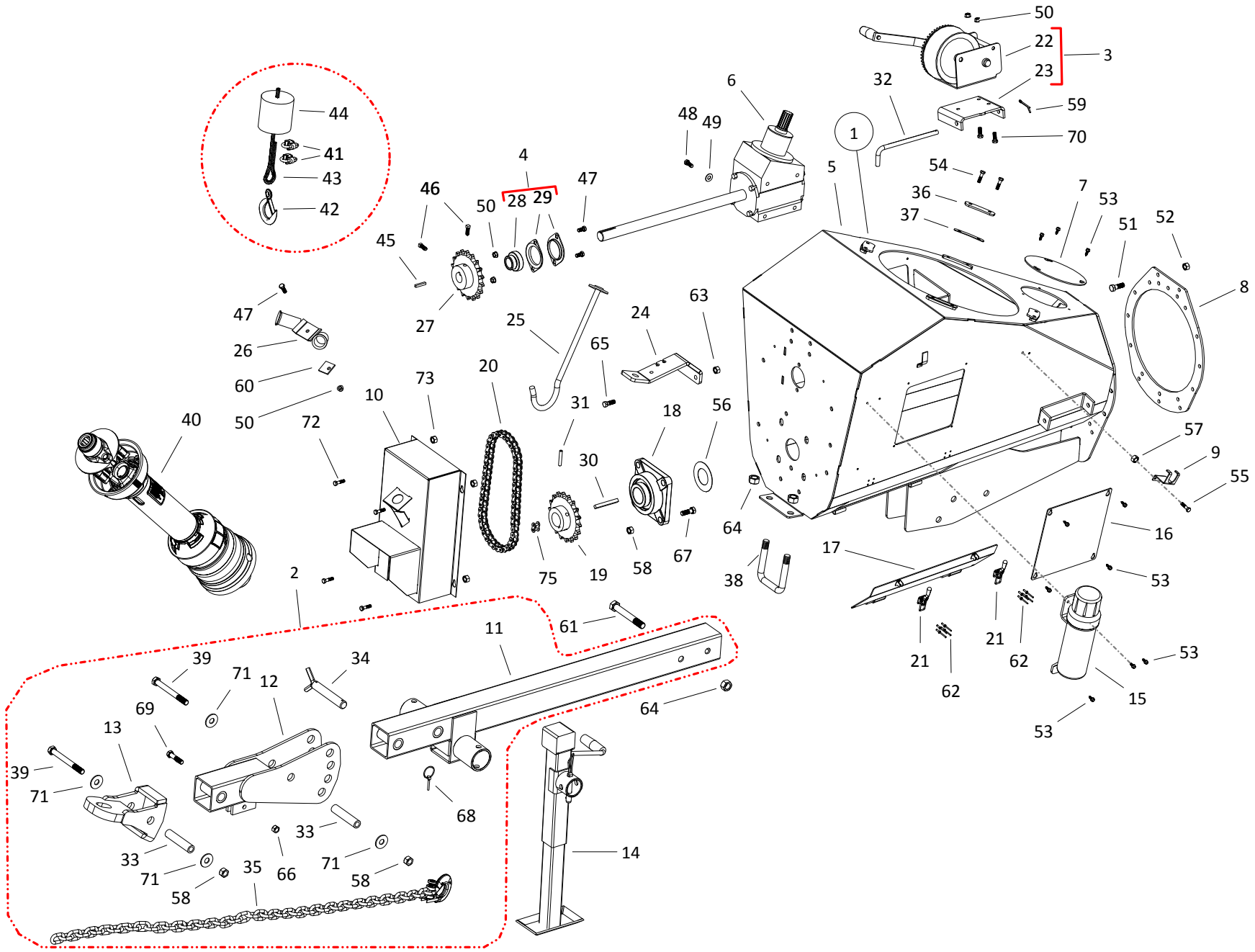


ITEM	PART NO.	DESCRIPTION
1	10-17650	Hydraulic Cylinder Assembly
2	10-17649	Hydraulic Cylinder Only
3	10-17640	Pulley 6.5"
4	10-17652	4-1/4"X1-1/4"CF RD PULLEY PIN
5	10-17468	3/8" x 32" Hydraulic Hose
6	10-18739	3/8" x 16" Hydraulic Hose
7	10-17653	LIFT CABLE
8	10-22191	STEEL ELBOW 6MORB X 3/8 F NPSM
9	10-18736	3/8" Street Tee
10	10-20328	MKX114 CYL HOSE ASSEMBLY
11	10-18084	BALL VALVE
12	9900047	Pioneer Coupler
13	10-20327	HYDRAULIC RETURN HOSE
14	10-18990	3/8" Cable clamp
15	10-18098	COTTER PIN 1/4 X 1-3/4 C.ZINC PLTD
16	10-17651	1-1/4" RIM WASHER PLTD
17	10-27815	5/8" X 4" NC BOLT GR 5 PLTD
18	10-19600	5/8" NC NYLON LOCKNUT PLTD



MKX130 BOOT

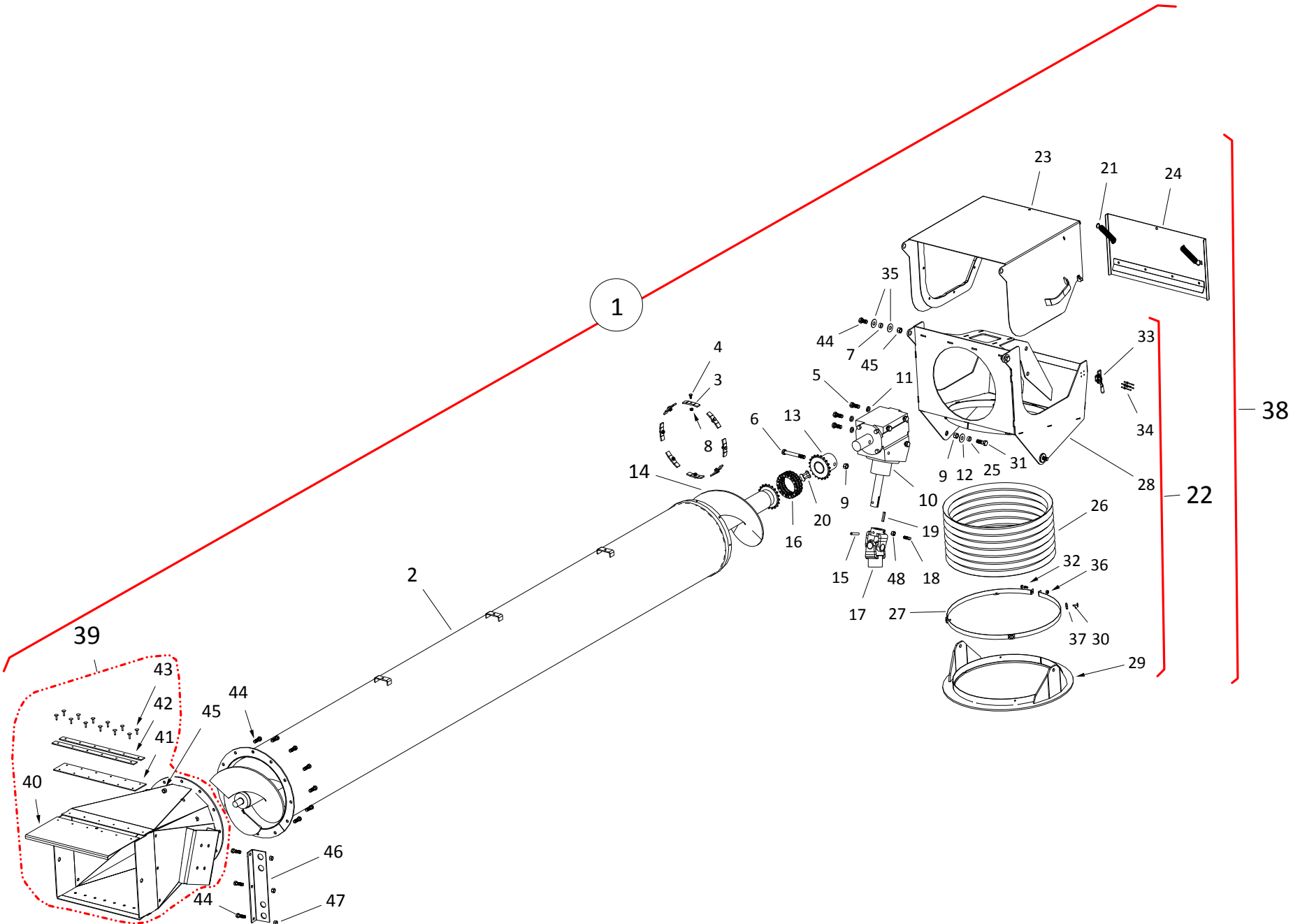
ITEM	PART NO.	DESCRIPTION
1	10-29991	MKX130 BOOT ASSEMBLY
2	10-22933	MKX130 TOW BAR ASSEMBLY
3	10-22534	WINCH MOUNT ASSEMBLY
4	10-19322	1-1/4 2 HOLE FLANGE BEARING
5	10-29976	MKX130 BOOT ONLY
6	10-29085	LOWER GEARBOX
7	10-17374	COVER PLATE
8	10-29999	X13 BOOT-TUBE ATTACH PLATE
9	10-21932	X13 SHUT OFF VALVE HOLDER
10	10-20062	X13 SPROCKET COVER
11	10-22876	LONG TOW BAR
12	10-22878	SHORT TOW BAR
13	10-22877	HITCH
14	10-28930	JACK. 5000 LB SQUARE
15	10-29755	PLASTIC MANUAL HOLDER
16	10-20061	X13 BOOT SERVICE DOOR
17	10-29982	X13 BOOT CLEANOUT DOOR
18	10-20015	2" BEARING, W/4 BOLT FLANGE
19	10-18525	SPROCKET 80B18 X 1-3/4"
20	10-19781	80B37 ROLLER CHAIN
21	10-20052	LATCH & CATCH
22	10-19152	WINCH
23	10-22533	WINCH BRACKET
24	10-20042	X13 PTO BRACKET
25	10-18537	SADDLE TRANSPORT
26	10-17467	DOUBLE HOSE HOLDER (MKX130-84/94/114 ONLY)
27	10-19779	80B18 X 1-1/4 SPROCKET
28	10-18853	1-1/4" BEARING ONLY
29	10-18695	62MST ZP FLANGE PLATED FINISH
30	10-18541	SQAURE KEY, 3/8" X 3-3/8"
31	10-18546	3/8" X 2-1/2" ROLL PIN
32	10-18074	MOUNT PIN
33	10-22882	TOW BAR BUSHING PLTD
34	10-20768	Tow Bar Pin
35	10-20836	SAFETY CHAIN (52" LONG)
36	10-29166	SPOUT HEAD RETAINERS
37	10-29152	SPOUT HEAD SPACER
38	10-28487	3/4" X 3-1/2" X 5" SQ. U-BOLT
39	10-20163	BOLT, 5/8" x 6" GR5 PLTD
40	10-18455	BLACK END CV PTO SHFT (64'/74' ONLY)
40	10-29140	YELLOW END CV PTO SHAFT (84'/94'/114' ONLY)
41	10-19147	1/4" CABLE CLAMP
42	10-28997	HOOK W LATCH
43	10-17376	LP HOPPER CABLE
44	10-20793	HOPPER WEIGHT
45	10-19606	SQUARE KEY, 1/4" X 1-1/2"
46	10-29119	SETSCREW, 3/8" X 1" GR8 SQ END
47	10-19540	3/8" X 3/4" BOLT, GR5
48	10-19588	1/2" X 1-1/4", BOLT
49	10-19605	1/2" LOCK WASHER



MKX130 BOOT

ITEM	PART NO.	DESCRIPTION
50	10-19596	3/8" SERRATED FLANGE NUT
51	10-18698	BOLT, 7/16" X 1-1/4" GR8
52	10-17593	NYLON LOCKNUT, 7/16" GR5
53	10-19274	SELF TAPPING SCREW
54	10-19540	3/8" X 3/4" NC BOLT GR 5 PLTD
55	9900800	BOLT, 1/4" X 3/4" GR5
56	10-20084	2" RIM WASHER
57	10-28449	LOCKNUT, 1/4"
58	10-19600	LOCKNUT, 5/8"
59	10-19463	HAIR PIN
60	10-17362	Latch (MKX130-84/94/114 ONLY)
61	10-29997	BOLT, 3/4" X 5-1/2" GR8
62	10-23769	5/32 X 39/64 RIVET, LOW PROFILE
63	10-17750	1/2" NC NYLON LOCKNUT GR 5 YLW PLTD
64	10-19601	NYLON LOCKNUT, 3/4" GR2
65	10-19589	BOLT, 1/2" X 1-1/2" GR8
66	10-19599	LOCKNUT, 1/2"
67	10-19991	BOLT, 5/8" X 2" GR8
68	10-29998	LYNCH PIN 3/16 X 1-1/4 Y.ZINC PLTD
69	9900560	BOLT, 1/2" x 2"-1/4" GR5 PLTD
70	10-18955	BOLT, 3/8" X 1"
71	10-19966	FLAT WASHER, 5/8" PLTD
72	10-19538	5/16" X 3/4" NC BOLT GR 2 PLTD
73	10-19980	5/16" NC NYLON LOCKNUT PLTD
75	10-19323	#80 CHAIN CONNECTOR

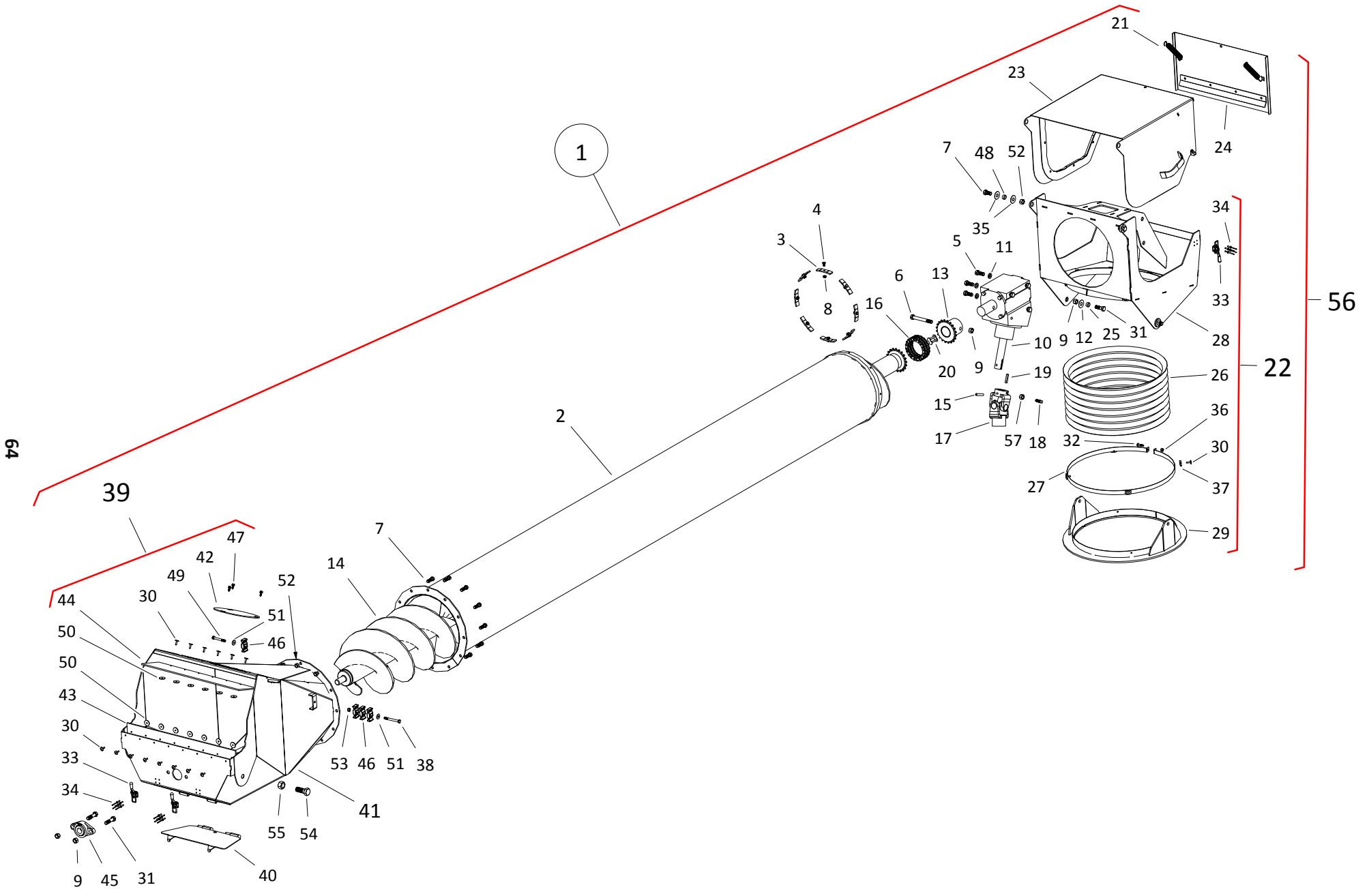
MKX130 SWING TUBE



MKX130 SWING TUBE

ITEM	PART NO.	DESCRIPTION
1	10-21299	MKX/X13 GEAR SWING TUBE W/ TRANSITION (2014)
2	10-18931	MK/SA 130 SWING TUBE WELD'T
3	10-18877	STOP PLATE - HOPPER SPOUT
4	10-19537	BOLT, 1/4" X 1/2" HEX WSHR HEAD GR 5 PLTD
5	10-19588	BOLT, 1/2" X 1-1/4" NC GR 5 PLTD
6	10-18947	BOLT, 1/2" X 4" NC GR 8 PLTD
7	10-27889	LEVELLER BUSHING
8	10-19594	FLANGE NUT, 1/4" PLTD
9	10-19599	LOCKNUT, 1/2" PLTD
10	10-27560	MK130 PLUS UPPER GEARBOX
11	10-19605	LOCKWASHER, 1/2" PLTD
12	10-17401	1/2" FLAT WASHER PLTD
13	10-29992	X13 GEARBOX CONNECTOR WELDMENT
14	10-29993	X13 SWING FLIGHT WELDMENT
15	10-18079	ROLL PIN, 5/16" X 2"
16	10-29895	#50 X 20P DOUBLE CHAIN
17	10-29139	SPLINED U-JOINT
18	10-29119	SETSCREW, 3/8" X 1" GR8 SQ END
19	10-19606	1/4" SQUARE X 1.5" KEY
20	10-20048	#50 X 20P DOUBLE CHAIN CONNECTOR
21	10-18728	EXTENSION SPRING
22	10-21004	X13 SPOUT HEAD ASSEMBLY (2014)
23	10-21022	X13 SPOUT HEAD LID WELDMENT
24	10-21002	X13 SPOUT HEAD DOOR WELD'T
25	10-21021	X13 SPOUT HEAD BUSHING
26	10-29176	18" ID X 15" LONG CLEAR FLEX HOSE
27	10-20063	HOSE STRAP, MKX/X13 SPOUT HEAD
28	10-21003	MKX/X13 SPOUT HEAD ONLY (2014)
29	10-21097	SPOUTHEAD BASE, MKX/X13 SPOUT HEAD
30	10-18185	ASF\0621 RIVET (LARGE FLANGE)
31	10-19589	BOLT, 1/2" X 1-1/2" NC GR 8 PLTD
32	10-19988	BOLT, 1/4" X 1" NC GR 2 PLTD
33	10-20052	MA6512230 LATCH AND CATCH
34	10-23769	5/32 X 39/64 RIVET, LOW PROFILE
35	10-17182	1"OD X 29/64"ID X 10 GA WASHER PLTD
36	10-28449	1/4" NC NYLON LOCKNUT PLTD
37	10-29252	DUCTING SECURE TAB, MK FLEX
38	10-21394	MKX130 SPOUTHEAD W/DOOR AND LID
39	10-29977	LP TRANSITION ASSEMBLY
40	10-21100	LP TRANSITION ACCESS DOOR
41	10-21101	TRANSITION BELT
42	10-21102	TRANSITION BELT STRAP
43	10-20399	3/16" X 5/8" GRIP RIVET
44	10-18698	7/16" X 1-1/4" NC BOLT GR 8 PLTD
45	10-19598	7/16" NC NYLON LOCKNUT GR 2 PLTD
46	10-20051	CABLE ATTACH BRACKET (HOPPER)
47	10-17593	7/16" NC NYLON LOCKNUT GR 5 YLW PLT
48	10-17754	3/8" NC HEX NUT PLAIN

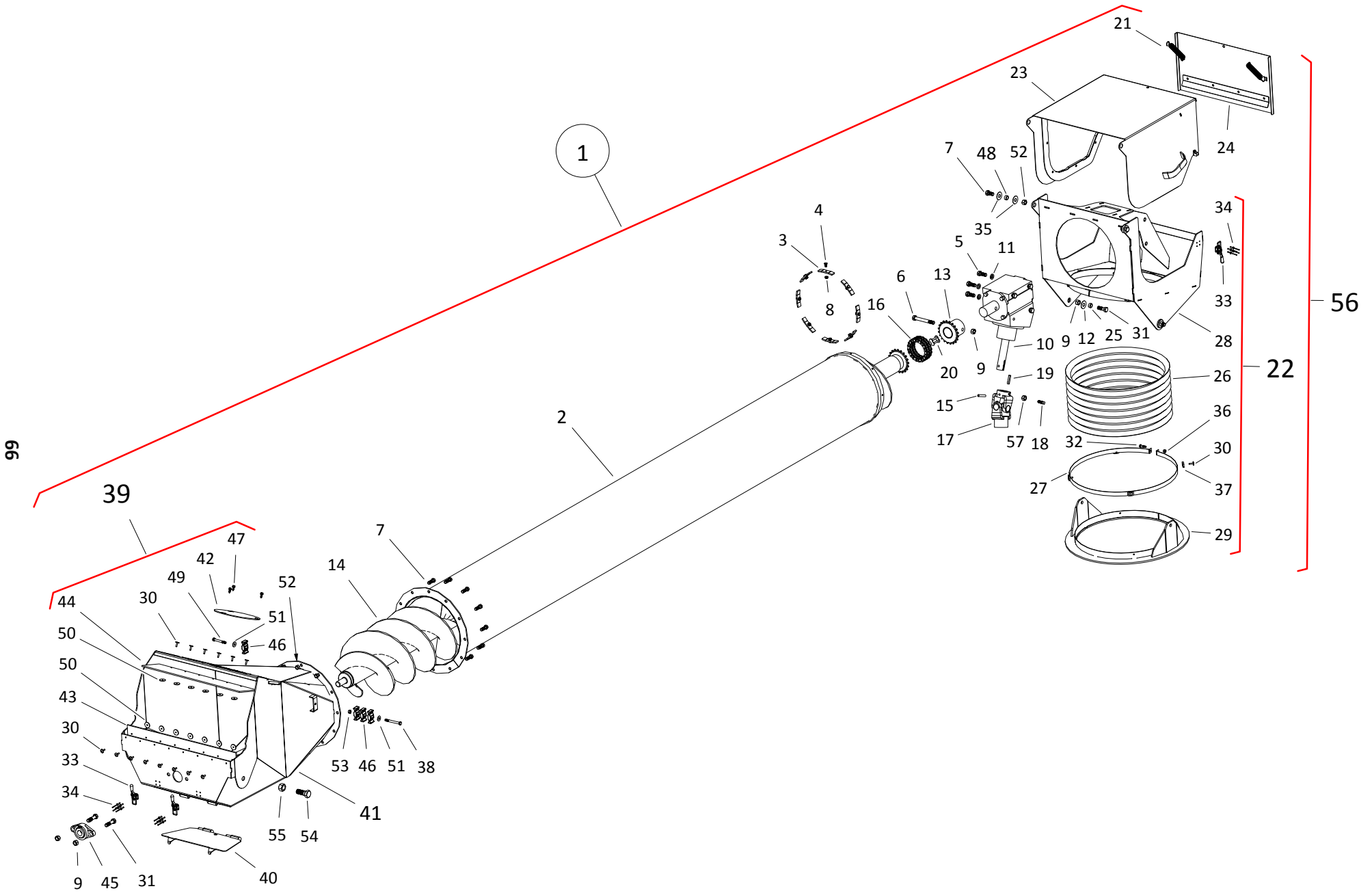
GULP2 SWING TUBE



GULP2 SWING TUBE

ITEM	PART NO.	DESCRIPTION
1	10-22250	MKX/X13 GULP SWING TUBE BDL
2	10-18931	SWING TUBE ONLY
3	10-18877	SPOUT ATTACH PLATE
4	10-19537	BOLT, 1/4" X 1/2" HEX WSHR HEAD GR 5 PLTD
5	10-19588	BOLT, 1/2" X 1-1/4" NC GR 5 PLTD
6	10-18947	BOLT, 1/2" X 4" NC GR 8 PLTD
7	10-18698	7/16" X 1-1/4" NC BOLT GR 8 PLTD
8	10-19594	FLANGE NUT, 1/4" PLTD
9	10-19599	1/2" NC NYLON LOCKNUT GR 2 PLTD
10	10-27560	GEARBOX
11	10-19605	LOCKWASHER, 1/2" PLTD
12	10-17401	1/2" FLAT WASHER PLTD
13	10-29992	GEARBOX CONNECTOR
14	10-22251	MKX/X13 GULP SWING FLIGHT
15	10-18079	ROLL PIN, 5/16" X 2"
16	10-29895	#50 X 19P DOUBLE CHAIN
17	10-29139	SPLINED U-JOINT
18	10-29119	SETSCREW, 3/8" X 1" GR8 SQ END
19	10-19606	1/4" SQUARE X 1.5" KEY
20	10-20048	#50 DOUBLE LINK CONNECTOR
21	10-18728	EXTENSION SPRING
22	10-21004	MKX/X13 SPOUT HEAD ASSY (2014)
23	10-21022	MKX/X13 SPOUT HEAD LID (2014)
24	10-21002	MKX/X13 SPOUT HEAD DOOR (2014)
25	10-21021	X13 SPOUT HEAD BUSHING
26	10-29176	18" ID X 15" LONG CLEAR FLEX HOSE
27	10-20063	HOSE STRAP, MKX/X13 SPOUT HEAD
28	10-21003	MKX/X13 SPOUT HEAD ONLY (2014)
29	10-21097	SPOUTHEAD BASE, MKX/X13
30	10-18185	LARGE FLANGE RIVET
31	10-19589	BOLT, 1/2" X 1-1/2" NC GR 8 PLTD
32	10-19988	BOLT, 1/4" X 1" NC GR 2 PLTD
33	10-20052	LATCH AND CATCH
34	10-23769	5/32 X 39/64 RIVET, LOW PROFILE
35	10-17182	1"OD X 29/64"ID X 10 GA WASHER PLTD
36	10-28449	1/4" NC NYLON LOCKNUT PLTD
37	10-29252	DUCTING SECURE TAB
38	2300022	5/16" X 3" UNC BOLT GR 5 PLTD
39	10-21446	AUGER TRANS ASSEMBLY, GULP
40	10-21447	AUGER TRANS ACCESS LID, GULP
41	10-21448	AUGER TRANSITION ONLY, GULP
42	10-17374	ACCESS COVER
43	10-21449	AUGER TRANSITION SQUEEGER, GULP
44	10-21450	AUGER TRANSITION RUBBER SEAL, GULP
45	0300013	BEARING ASSEMBLY
46	10-28732	LINE BLOCK
47	10-19274	SELF TAPPING SCREW
48	10-27889	LEVELLER BUSHING
49	10-17631	5/16" X 2-1/2" NC BOLT GR 2 PLTD
50	10-18186	3/16" X 1" RIVET WASHER

GULP2 SWING TUBE



66

39

1

2

3

4

5

6

7

8

9

10

11

12

13

14

15

16

17

18

19

20

21

22

23

24

25

26

27

28

29

30

31

32

33

34

35

36

37

38

39

40

41

42

43

44

45

46

47

48

49

50

51

52

53

54

55

56

57

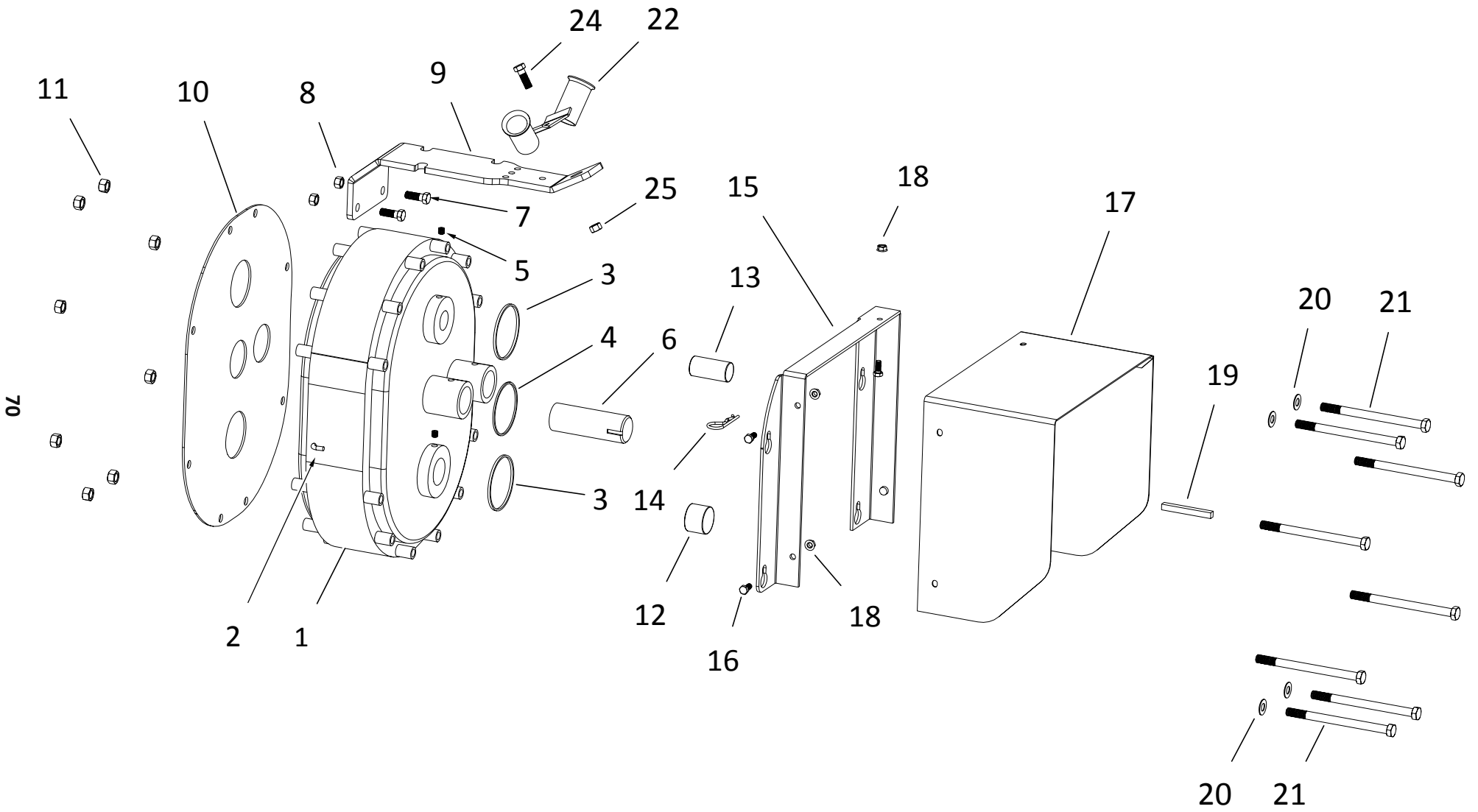
GULP2 SWING TUBE

ITEM	PART NO.	DESCRIPTION
51	10-27336	5/16" FLAT WASHER PLTD
52	10-19598	7/16" NC NYLON LOCKNUT GR 2 PLTD
53	10-19980	5/16" NC NYLON LOCKNUT PLTD
54	10-19592	3/4" X 2" NC BOLT GR 8 PLTD
55	10-19601	3/4" NC NYLON LOCKNUT PLTD
56	10-21394	MKX/X13 SPOUT HEAD W/LID/DOOR (2014)
57	10-17754	3/8" NC HEX NUT PLAIN

MKX130 HOPPER

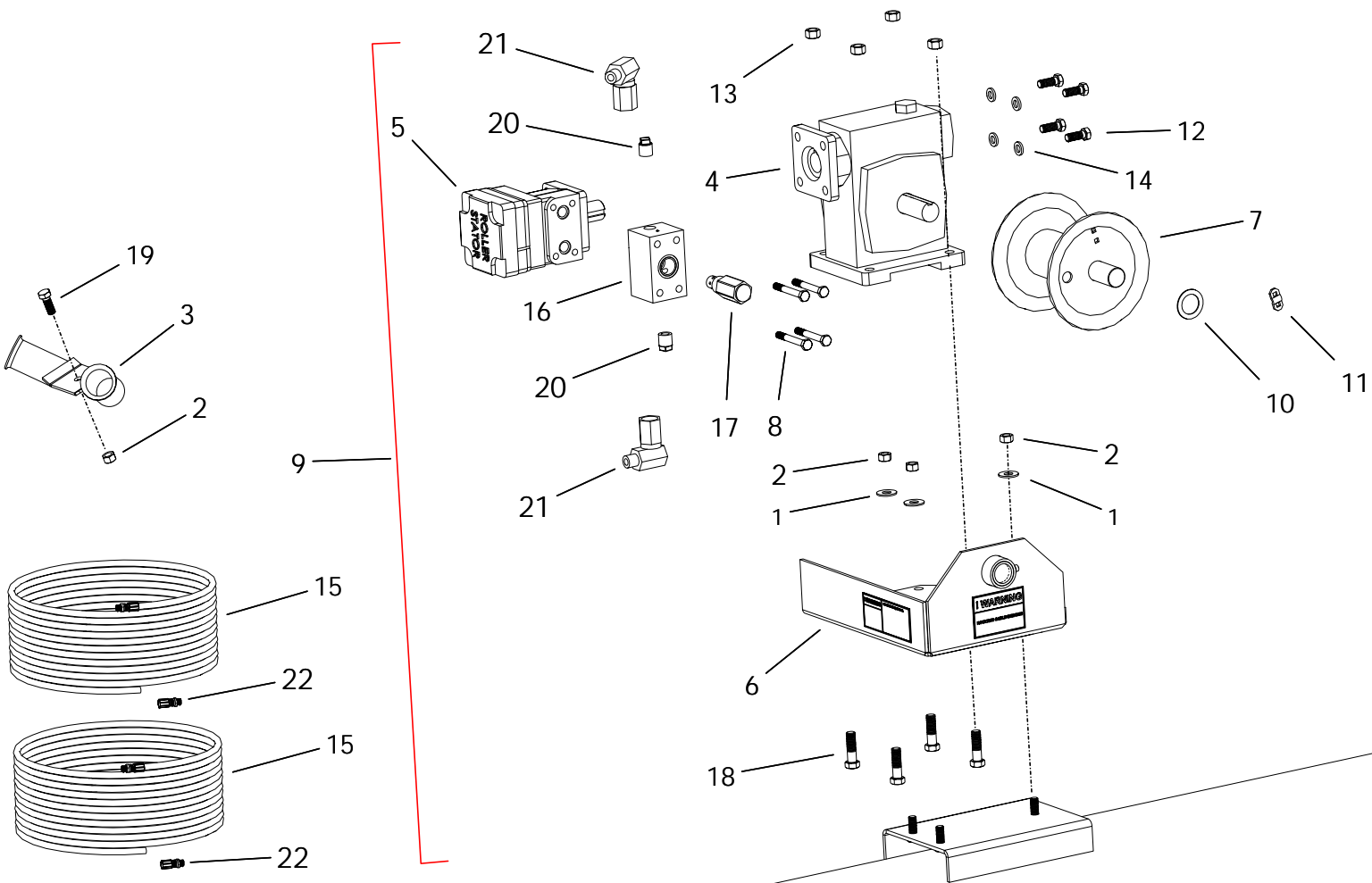
ITEM	PART NO.	DESCRIPTION
1	10-29984	LP HOPPER ASSEMBLY
3	10-29978	X13 LP HOPPER ONLY
4	10-22051	12-1/2 BELTING ATTACH STRAP
5	10-22049	4-3/4 BELTING ATTACH STRAP
6	10-29998	LYNCH PIN 3/16 X 1-1/4 Y.ZINC PLTD
7	10-20461	X13 LP DOOR PIN
8	10-20399	3/16" X 5/8" GRIP RIVET
9	10-29896	X13 LP RUBBER BELTING
10	10-19590	BOLT, 5/8" X 1-1/2" GR8
11	10-19600	LOCKNUT, 5/8"
13	10-29963	LP HOPPER FLIGHT LH
14	10-17345	LP HOPPER FLIGHT RH
15	10-17347	13 HOPPER DRIVESHAFT
16	10-19224	1/4" X 1" WOODRUFF KEY
17	10-29175	HIGH ANGLE LP U-JOINT
17A	10-17029	CROSS KIT
18	10-29117	SETSCREW, 3/8" X 3/4" GR8 SQ END
19	200399	MKX/X13 NECK FLIGHT SUPPORT
20	10-18955	3/8" X 1" NC BOLT GR 5 PLTD
21	10-29965	X13 NECK FLIGHT
22	10-19222	1/4" #28 GREASE ZERK
23	10-17352	TOP MOUNT BUSHING SUPPORT
25	10-19149	1" BUSHING
26	10-19540	3/8" X 3/4" NC BOLT GR 5 PLTD
27	10-17402	3/8" NC NYLON LOCKNUT PLTD
28	10-17392	3/8" FLAT WASHER PLTD
29	10-17522	LP Hopper Tires
30	10-19463	Hairpin, 7/16" X 3/4", 1/8" Dia.
31	10-19538	BOLT, 5/16" x 3/4" GR2
32	10-19595	WHIZNUT, 5/16"
33	10-18817	1" BEARING w/ COLLAR
34	10-18694	1" FLANGETTE
35	10-17369	X13 LP CHAIN
36	10-19966	5/8" FLAT WASHER PLTD
37	10-18096	5/8" RIM WASHER
38	10-29894	50C15 X 5/8 IDLER SPROCKET
39	10-19131	SPROCKET, 50B14 x 1", SINGLE
40	10-20430	#50 (HEAVY) CONNECTOR LINK
41	10-20516	#50-1R X 47P ROLLER CHAIN
42	10-27484	BOLT, 5/8" X 2-1/4" GR8
43	10-29981	X13 LP CHAIN COVER
45	10-20082	3/8" WINGNUT
46	10-17389	#50 OFFSET LINK (HEAVY)
47	10-17349	SPROCKET, 50B20 x 1", DOUBLE
49	10-17583	BUSHING SUPPORT
50	10-17394	MK LP FIXED WHEEL AXLE
51	10-22050	10 BELTING ATTACH STRAP
57	10-19225	3/8" X 3/8" SET SCREW
58	10-17584	PLUG

A262 SPEED REDUCER



A262 SPEED REDUCER

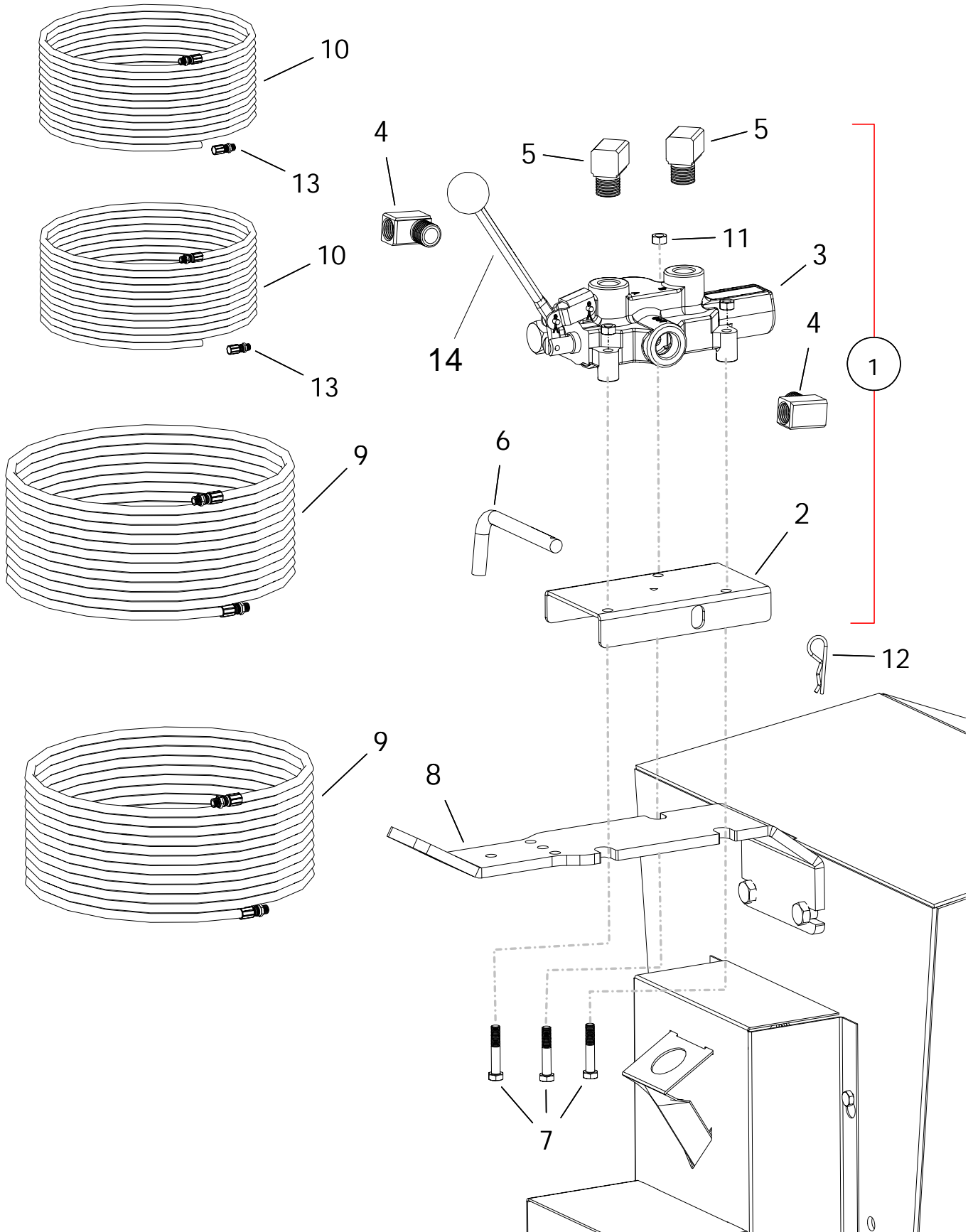
ITEM	PART NO.	DESCRIPTION
1	10-27710	M1000-3 SPEED REDUCER
2	10-28603	BREATHER TUBE AND VENT PLUG
2A	10-20353	VENT PLUG ONLY
3	10-28527	OIL SEAL (95 X 75 X 10)
4	10-28526	OIL SEAL (80 X 60 X 12)
5	10-19608	5/16" X 3/8" SET SCREW
6	10-28305	REPLACEMENT SPLINE SHAFT
7	10-18698	7/16" X 1-1/4" BOLT GR8
8	10-19598	7/16" NYLON LOCKNUT GR2
9	10-20043	X13 PTO PTO BAR
10	10-29996	X13 REDUCER SEALING PLATE
11	10-19599	1/2" NYLON LOCKNUT GR2
12	10-27722	MKP130 SR BTM SHAFT, 1-3/4"
13	10-27721	MKP130 SR TOP SHAFT, 1-1/4"
14	10-19463	210 HITCH PIN
15	10-20040	X13 REDUCER SHIELD BRACKET
16	10-19538	5/16" X 3/4" BOLT GR 2
17	10-20041	X13 REDUCER PTO SHIELD
18	10-19595	5/16" SERRATED FLANGE NUT
19	10-17066	3/8" X 1-3/4" SQ KEY
20	10-17401	1/2" FLAT WASHER
21	10-27719	1/2" X 7" BOLT GR5
22	10-17467	DOUBLE HOSE HOLDER
24	10-18955	3/8" X 1" NC BOLT GR 5 PLTD
25	10-17402	3/8" NC NYLON LOCKNUT PLTD
26	10-29272	LOCKING SYSTEM KIT



A266 HYDRAULIC WINCH

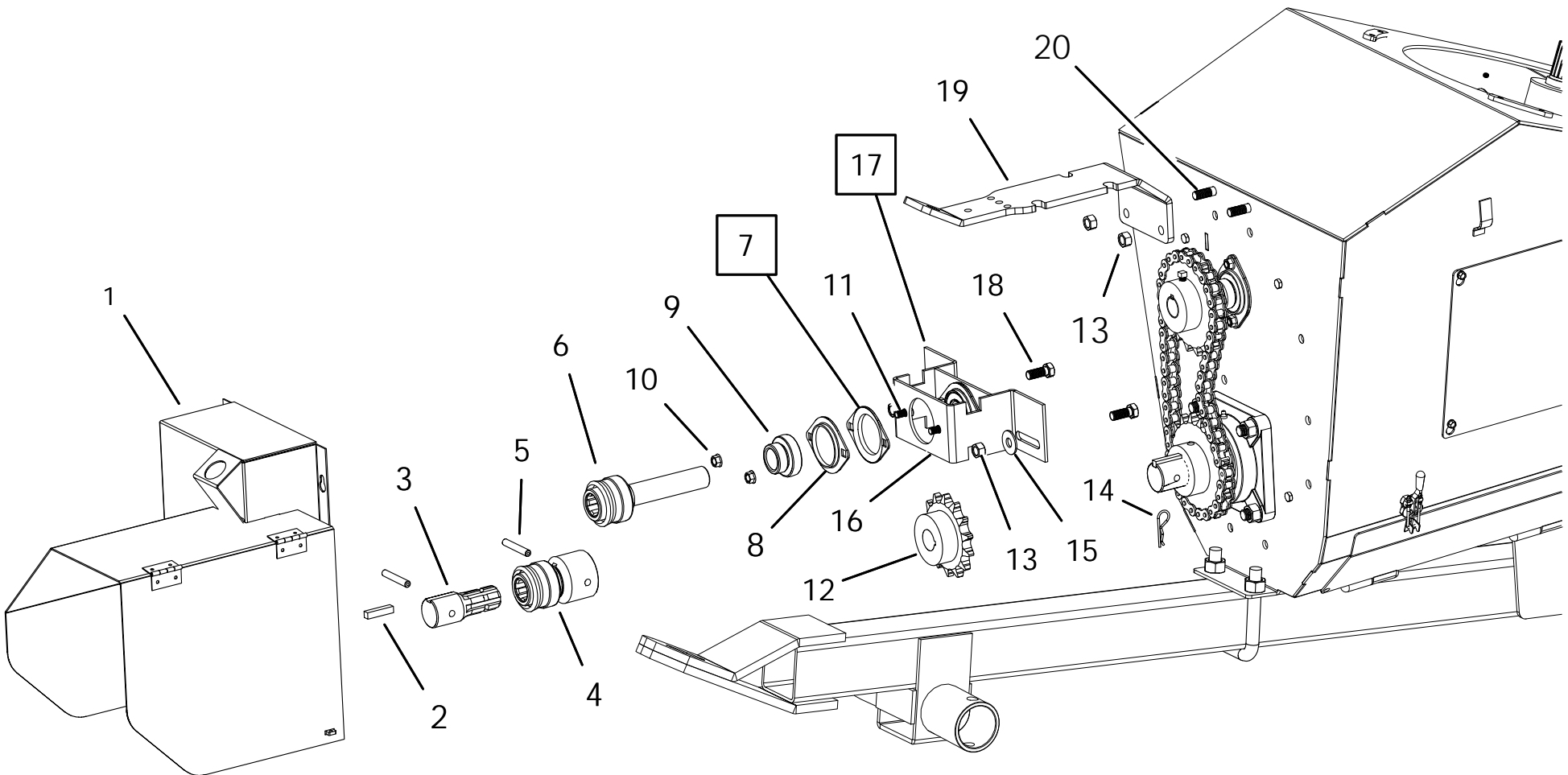
ITEM	PART NO.	DESCRIPTION
1	10-17392	WASHER 3/8" FLAT PLTD
2	10-17402	3/8" NC NYLON LOCKNUT PLTD
3	10-17467	DOUBLE HOSE HOLDER
4	10-17625	HYDRAULIC WINCH GEARBOX
5	10-17626	HYDRAULIC MOTOR
6	10-17628	HYD WINCH FRAME ASSM RED
7	10-17629	HYD WINCH DRUM RED
8	10-17631	5/16" X 2-1/2" NC BOLT GR 2 PLTD
9	10-17634	HYDRAULIC WINCH ASSEMBLY, RED
10	10-18097	1" RIM WASHER PLTD
11	10-18496	ROP KEEPER KIT
12	10-18955	BOLT 3/8" X 1"
13	10-19598	LOCKNUT 7/16"
14	10-19604	LOCKWASHER 3/8"
15	10-20037	1/2" X 236" HYDRAULIC HOSE
16	10-28221	MANIFOLD WINCH RELIEF BLOCK
17	10-28222	VALVE WINCH NON-ADJ RELIEF MANIFOLD
18	10-28744	7/16 X 1-1/2 NC BOLT GR5 PLTD
19	10-29246	3/8" X 1" GR8 SHEAR BOLT
20	0308013	3/8" NTP PLASTIC PLUG
21	1100625	STEEL ELBOW 90,1/2FNPSMX3/8MNPT
22	9900047	PIONEER COUPLER

A335 HYDRAULIC VALVE



A335 HYDRAULIC VALVE

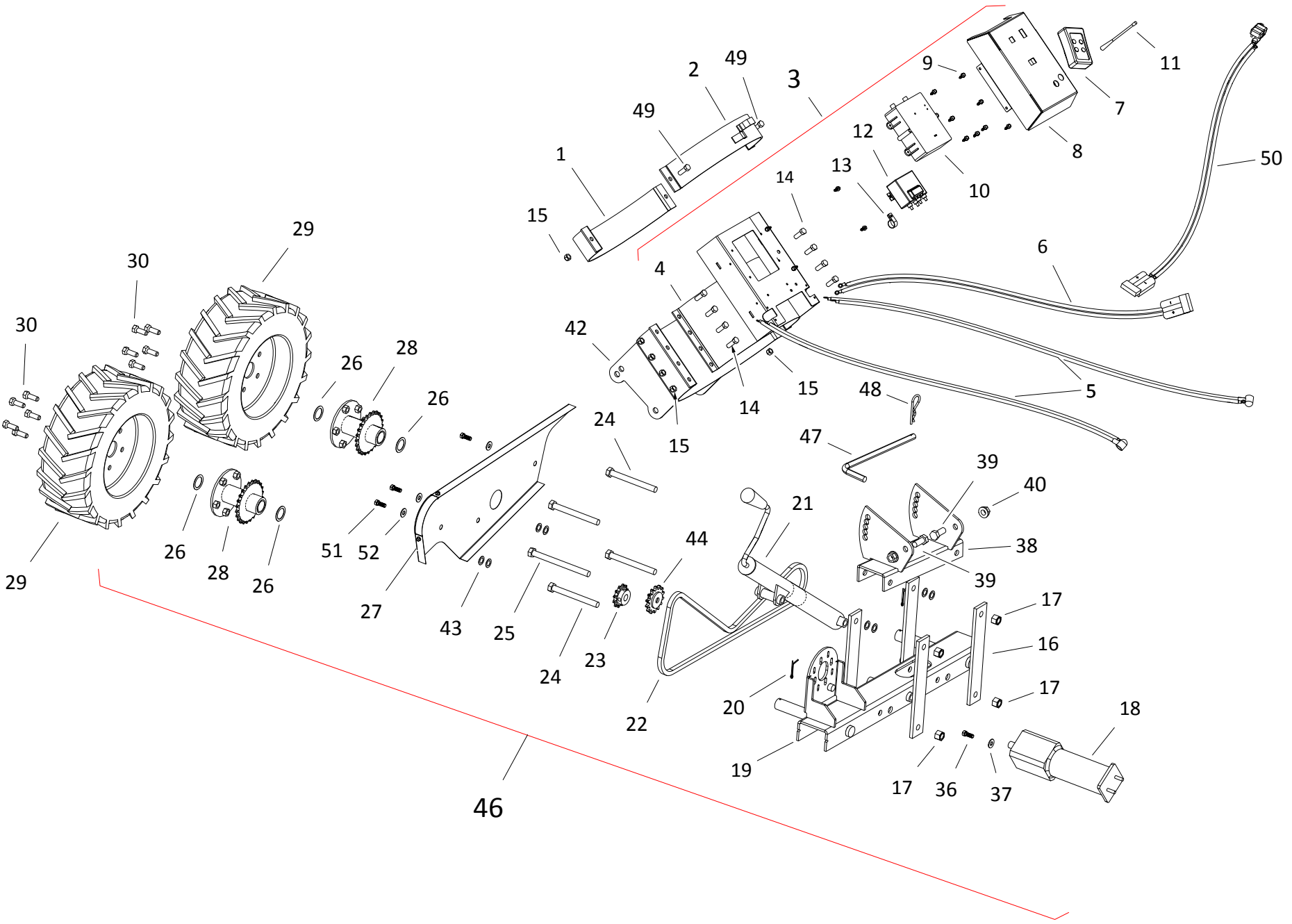
ITEM	PART NO.	DESCRIPTION
1	10-20132	HYD VALVE ASSEMBLY
2	10-20044	VALVE MOUNT PLATE
3	10-17675	HYD VALVE ONLY
4	10-29087	STEEL ELBOW 90, 12MNPT X 8FNPSM
5	10-28478	STEEL ELBOW 90, 8MNPT x 8FNPSM
6	10-19648	SADDLE PIN
7	10-17712	5/16" X 1-3/4" BOLT GR 5
8	10-20043	PTO/VALVE BRACKET, 10"/13"
9	10-29363	1/2" X 150" HYDRAULIC HOSE
10	10-29371	1/2" X 80" HYDRAULIC HOSE
11	10-19980	5/16" NC NYLON LOCKNUT PLTD
12	10-17383	3610 GRIP CLIP
13	9900047	PIONEER COUPLER
14	10-27590	POWERSWING VALVE HANDLE KIT



A263 REVERSER

ITEM	PART NO.	DESCRIPTION
1	10-20039	X13 REVERSER SHIELD
2	10-17066	SQAURE KEY 3/8" X 1-3/4"
3	10-17023	SPLINE SHAFT (PROD #11980)
4	10-17052	MK130 REV LOWER COUPLER
5	10-18546	3/8" X 2-1/2" COILED ROLL PIN
6	10-17054	REVERSER COUPLER
7	10-19322	2 HOLE BEARING ASSEMBLY
8	10-18695	2 HOLE BEARING FLANGE
9	10-18853	BEARING INSRTS
10	10-19596	3/8" FLANGE NUT
11	10-29246	3/8" X 1" GR8 SHEAR BOLT
12	10-17068	80B14 X 1-1/4" SPROCKET, REVERSER
13	10-19599	1/2" NYLON LOCKNUT GR 2
14	10-19463	210 HITCH PIN
15	10-17401	1/2" FLAT WASHER
16	10-20088	X13 REVERSER BASE BRACKET
17	10-20089	X13 REVERSER BASE ASSY(INCLUDES ITEM NO. 6, 9, 12, 16)
18	10-19588	1/2" X 1-1/4" BOLT GR 5
19	10-20043	X13 PTO BAR
20	10-19589	1/2" X 1-1/2" BOLT GR8

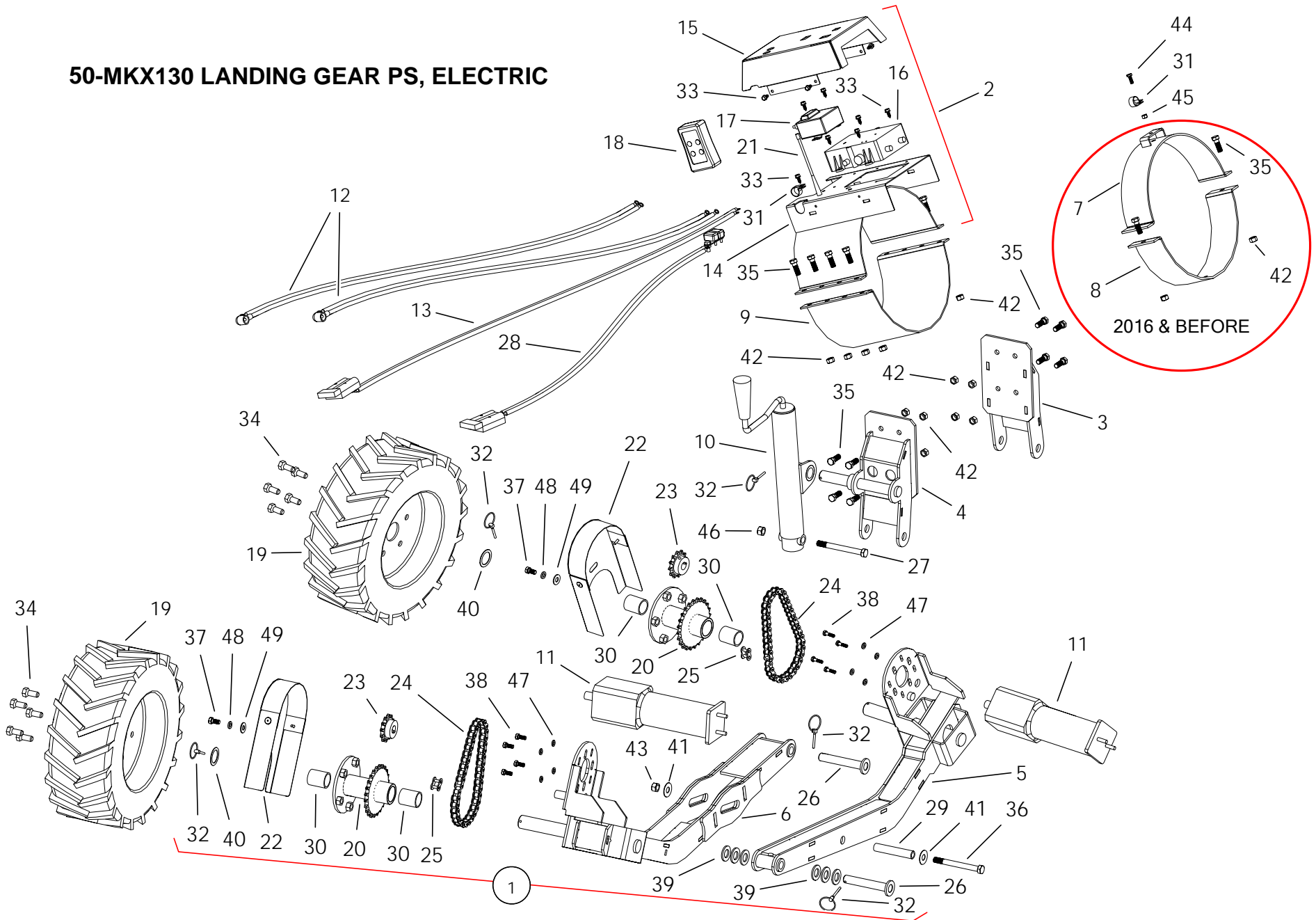
A264 ELECTRIC POWER SWING-13"



A264 ELECTRIC POWER SWING-13"

ITEM	PART NO.	DESCRIPTION
1	10-18987	W130 HALF CLAMP
2	10-17697	HOSE CLIP BRACKET
3	10-20158	ASSY, 13" P/S TOP CLAMP RECEIVER
4	10-20177	13" TOP CLAMP W.A RC POWERSWING
5	10-20168	WIRE HARNESS - CONTACTOR TO MOTOR
6	10-22582	WIRE ASSY CONTACTOR/QUICK CONNECT
7	10-20134	92102TX TRANSMITTER
8	10-20178	COVER, PS RECEIVER ARMOR - POWERSWING
9	10-19274	#14 X 5/8" SHEET METAL SCREW
10	10-20135	RECEIVER, REMOTE CONTROL-LOADAR
11	10-20524	ANTENNA
12	10-20136	CONTACTOR, 80 AMP
13	10-20268	5/8 X 1/2 INSULATED CLAMP
14	10-18698	7/16" X 1-1/4" BOLT GR 8
15	10-19598	7/16" NYLON LOCKNUT GR 2
16	10-20174	PLATE, PARALLEL BAR - POWERSWING
17	10-19600	5/8" NYLON LOCKNUT
18	10-20138	12V. DC MOTOR
19	10-20173	AXLE ASSY, POWER SWING
20	10-17757	3/16" X 1-3/4" COTTER PIN PLTD
21	10-20179	JACK, POWERSWING
22A	10-19134	#50 CONNECTOR LINK (NOT SHOWN)
22	10-20515	#50 ROLLER CHAIN
23	10-20210	50B12 X 3/4 SPROCKET
24	10-20163	5/8" X 6" BOLT GR5
25	10-20164	5/8" X 7-1/2" BOLT GR8
26	10-17651	1-1/4" RIM WASHER PLTD
27	10-20180	GUARD, POWERSWING
28	10-20166	ASSY HUB, W/ BUSHING
29	10-20137	16 X 6.5 5 BOLT WHEEL ASSM
30	10-20565	1/2" X 1" WHEEL BOLT (BLACK)
36	10-20445	1/4" X 1" BOLT GR8
37	9900783	1/4" LOCKWASHER PLTD
38	10-20892	PIVOT - POWERSWING
39	10-19590	5/8" X 1-1/2" BOLT GR 8
40	10-27588	5/8" SERRATED FLANGE NUT
42	10-20175	13" BOTTOM CLAMP - POWER SWING
43	10-19966	5/8" FLAT WASHER PLTD
44	10-29894	50C15 X 5/8" IDLER SPROCKET
46	10-20269	ELECTRIC PS AXLE AS SHIPPED
47	10-20895	POWERSWING ADJUST PIN
48	10-19463	HAIRPIN, 7/16" X 3/4", 1/8" DIA.
49	10-19542	7/16" X 1" BOLT GR5
50	10-20169	WIRE ASSY BATTERY TO QUICK CONNECT
51	10-19540	3/8" X 3/4" NC BOLT GR5 PLTD
52	10-17392	3/8" FLAT WASHER PLTD

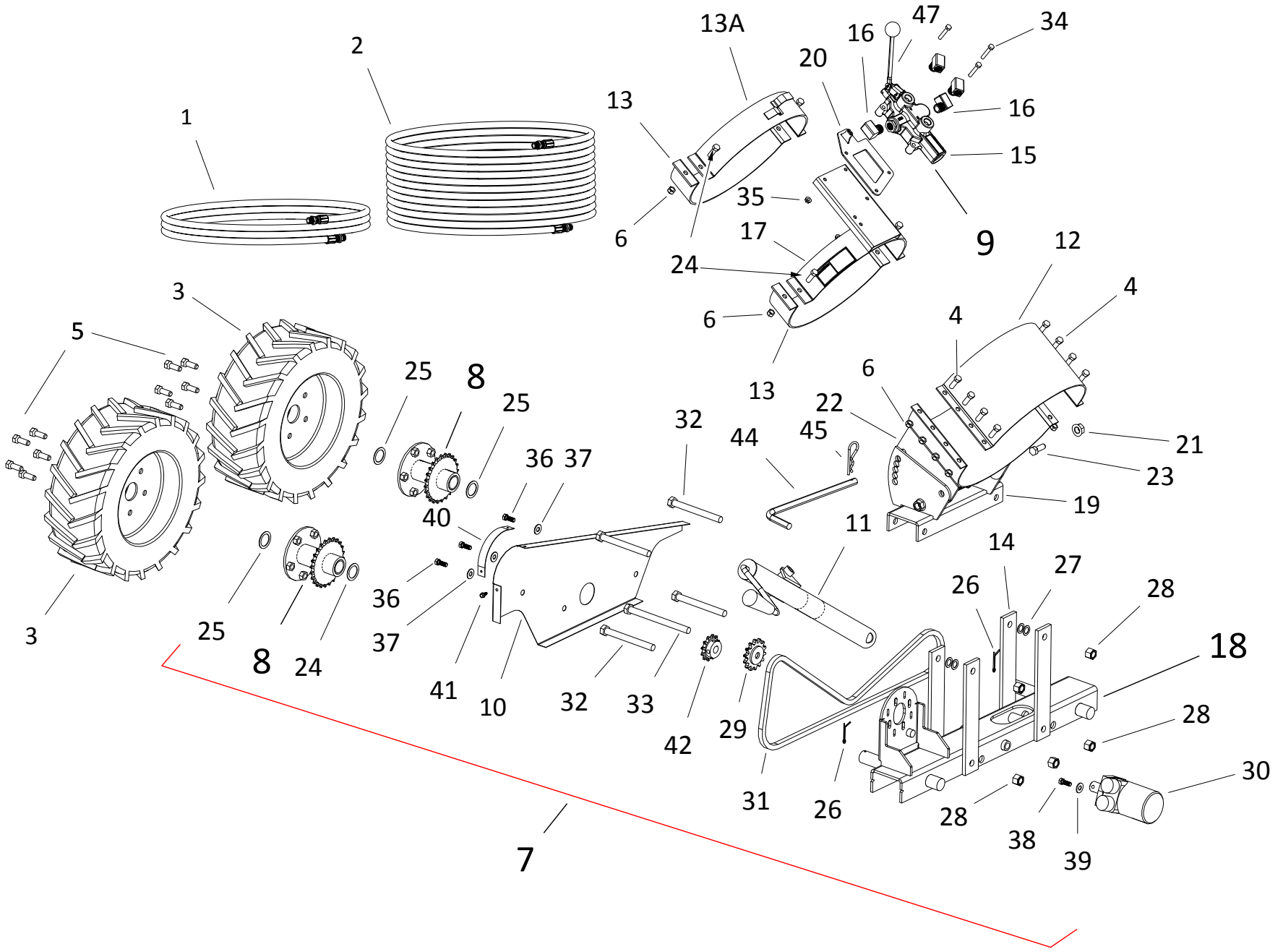
50-MKX130 LANDING GEAR PS, ELECTRIC



A334 ELECTRIC LANDING GEAR POWER SWING - 13"

A334 ELECTRIC LANDING GEAR POWER SWING - 13"

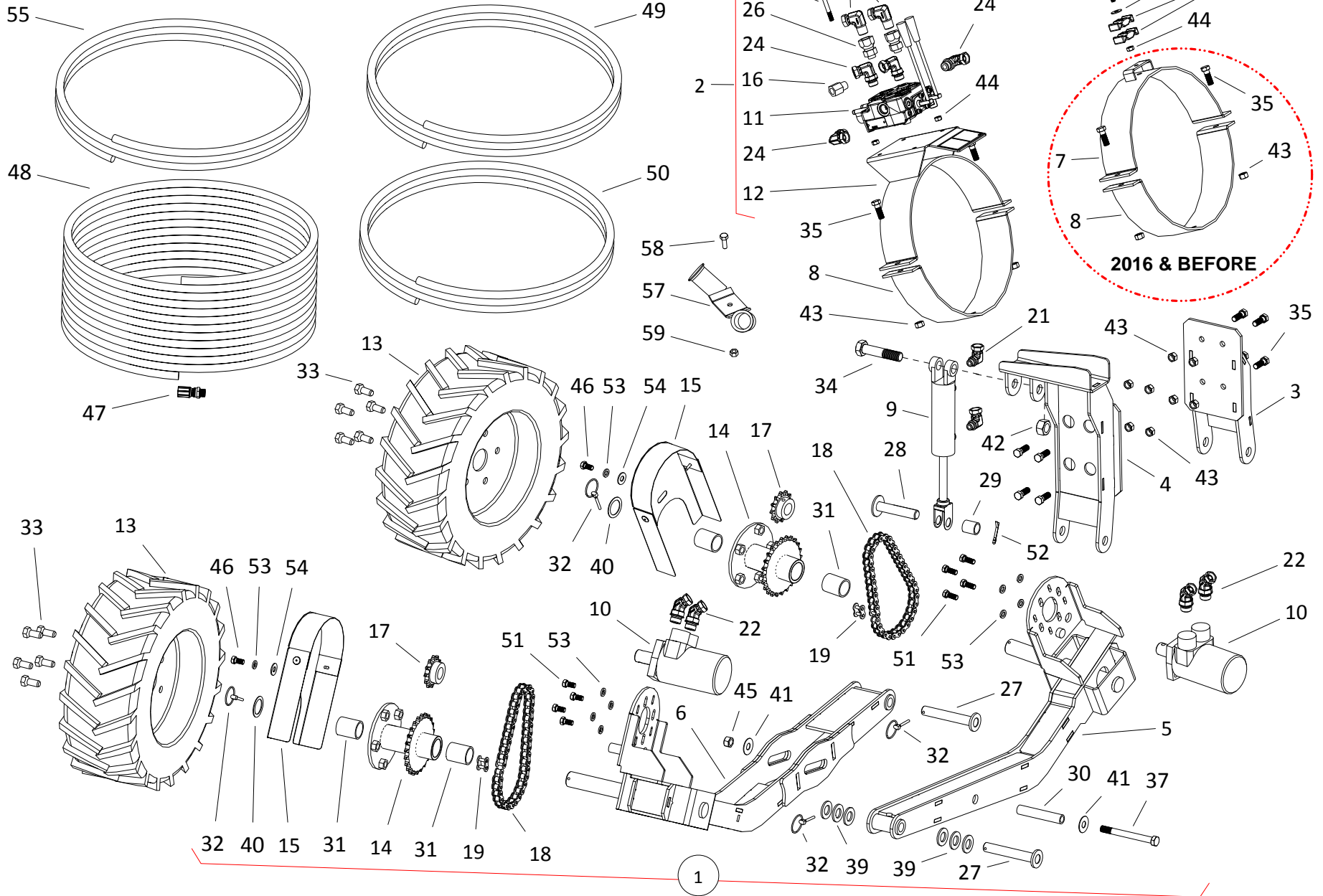
ITEM	PART NO.	DESCRIPTION
1	10-22563	LANDING GEAR PS ELEC ASSEMBLY
2	10-20158	ASSY, 13" P/S TOP CLAMP RECEIVER
3	10-22554	ATTACH, RH, MKX/X130 LGPS
4	10-22553	MANUAL JACK ATTACH, MKX/X130 LGPS
5	10-22562	SHORT X-ARM, RH, LGPS
6	10-22564	SHORT X-ARM, LH, LGPS
7	10-21537	GULP, HOSE CLAMP
8	10-18987	13" HALF CLAMP
9	10-27455	13" HITCH RING
10	10-22555	JACK, MANUAL, LANDING GEAR PS
11	10-20138	MOTOR, 12V DC
12	10-20168	WIRE HARNESS - CONTACTOR TO MOTOR
13	10-22582	WIRE ASSY CONTACTOR/QUICK CONNECT
14	10-20177	13" TOP CLAMP W.A. RC - POWERSWING
15	10-20178	COVER, PS RECEIVER ARMOR - POWERSWING
16	10-20135	RECEIVER
17	10-20136	CONTACTOR
18	10-20134	TRANSMITTER
19	10-20137	POWERSWING 5 BOLT WHEEL ASSEMBLY
20	10-20166	ASSY HUB, W/ BUSHING
21	10-20524	ANTENNA
22	10-22164	CHAIN GUARD, LANDING GEAR
23	10-20210	50B12 X 3/4 SPROCKET
24	10-19133	#50-1R X 37P ROLLER CHAIN
25	10-19134	#50 CONNECTOR LINK
26	10-22168	PIN, LANDING GEAR
27	10-27815	BOLT, 5/8" X 4" NC PLTD
28	10-20169	WIRE ASSY BATTERY TO QUICK CONNECT
29	10-22187	SLIDER BUSHING, LANDING GEAR
30	10-19776	BUSHING, 1-1/4"
31	10-20268	5/8 X 1/2 INSULATED CLAMP
32	10-29998	LYNCH PIN 3/16 X 1-1/4 Y.ZINC PLTD
33	10-19274	#14 X 5/8" SMS AB GR 5 PLTD
34	10-20565	1/2" X 1" WHEEL BOLT (BLACK)
35	10-18698	7/16" X 1-1/4" NC BOLT GR 8 PLTD
36	9900564	1/2" X 5" UNC BOLT GR5 PLTD
37	10-19540	3/8" X 3/4" NC BOLT GR5 PLTD
38	10-19988	1/4" X 1" NC BOLT GR2 PLTD
39	10-19979	3/4" FLAT WASHER PLTD
40	10-17651	1-1/4" RIM WASHER
41	10-17401	1/2" FLAT WASHER PLTD
42	10-17593	7/16" NC NYLON LOCKNUT GR5 YLW PLTD
43	10-19599	1/2" NC NYLON LOCKNUT GR 2 PLTD
44	9900800	1/4" X 3/4" NC BOLT GR5 PLTD
45	10-28449	1/4" NC NYLON LOCKNUT PLTD
46	10-19600	LOCKNUT, 5/8"
47	9900783	1/4" LOCK WASHER
48	10-19604	3/8" LOCK WASHER
49	10-17392	3/8" FLAT WASHER
50	05-A334	MKX130 LANDING GEAR PS, ELECTRIC



A265 HYDRAULIC POWER SWING-13"

ITEM	PART NO.	DESCRIPTION
1	10-17710	3/8" X 38" HYDRAULIC HOSE
2	10-17711	3/8" X 173" HYDRAULIC HOSE
3	10-20137	16 X 6.5 5 BOLT WHEEL ASSM
4	10-18698	7/16" X 1-1/4" BOLT GR 8
5	10-20565	1/2" X 1" WHEEL BOLT (BLACK)
6	10-19598	7/16" NYLON LOCKNUT GR 2
7	10-20270	HYD PS AXLE AS SHIPPED
8	10-20166	ASSY HUB, W/ BUSHING
9	10-22006	HYDRAULIC VALVE W/ FITTINGS
10	10-20180	GUARD, POWERSWING
11	10-20179	JACK, POWERSWING
12	10-27455	12-3/4" HITCH RING
13	10-18987	W130 HALF CLAMP
13A	10-17697	HOSE CLIP BRACKET
14	10-20174	PLATE, PARALLEL BAR - POWERSWING
15	10-17675	HYDRAULIC VALVE ONLY
16	10-17699	X115 1/2" STREET ELBOW
17	10-17707	PSV-13 BRACKET 4505073
18	10-20173	AXLE ASSY, POWER SWING
19	10-20892	PIVOT - POWERSWING
20	10-20272	HYD SPOOL LIMITER
21	10-27588	5/8" SERRATED FLANGE NUT
22	10-20175	13" BOTTOM CLAMP - POWERSWING
23	10-19590	5/8" X 1-1/2" BOLT GR 8
24	10-19542	7/16" X 1" BOLT GR5
25	10-17651	1-1/4" RIM WASHER
26	10-17757	3/16" X 1-3/4" COTTER PIN PLTD
27	10-18096	5/8" RIM WASHER
28	10-19600	5/8" NC LOCKNUT
29	10-29894	50C15 X 5/8" SPROCKET IDLER
30	10-20246	HYDRAULIC MOTOR
31	10-20515	#50 ROLLER CHAIN
31A	10-19134	#50 CONNECTOR LINK (NOT SHOWN)
32	10-20163	BOLT, 5/8 X 6" GR 5
33	10-20164	BOLT, 5/8 X 7-1/2" GR8
34	10-17712	5/16" X 1-3/4" BOLT GR5
35	10-19980	5/16" NYLON LOCKNUT
36	10-19540	3/8" X 3/4" BOLT GR5
37	10-17392	3/8" FLAT WASHER
38	10-18955	3/8" X 1" BOLT GR5
39	10-17392	3/8" FLAT WASHER
40	10-20180	GUARD, CURVED P/S
41	10-19274	#14 X 5/8" SHEET METAL SCREW
42	10-20211	50B12 X 1 SPROCKET
44	10-20895	POWERSWING ADJUST PIN
45	10-19463	HAIRPIN 7/16" X 3/4", 1/8" DIA.
46	10-27411	REDUCER BUSHING
47	10-27590	POWERSWING VALVE HANDLE KIT

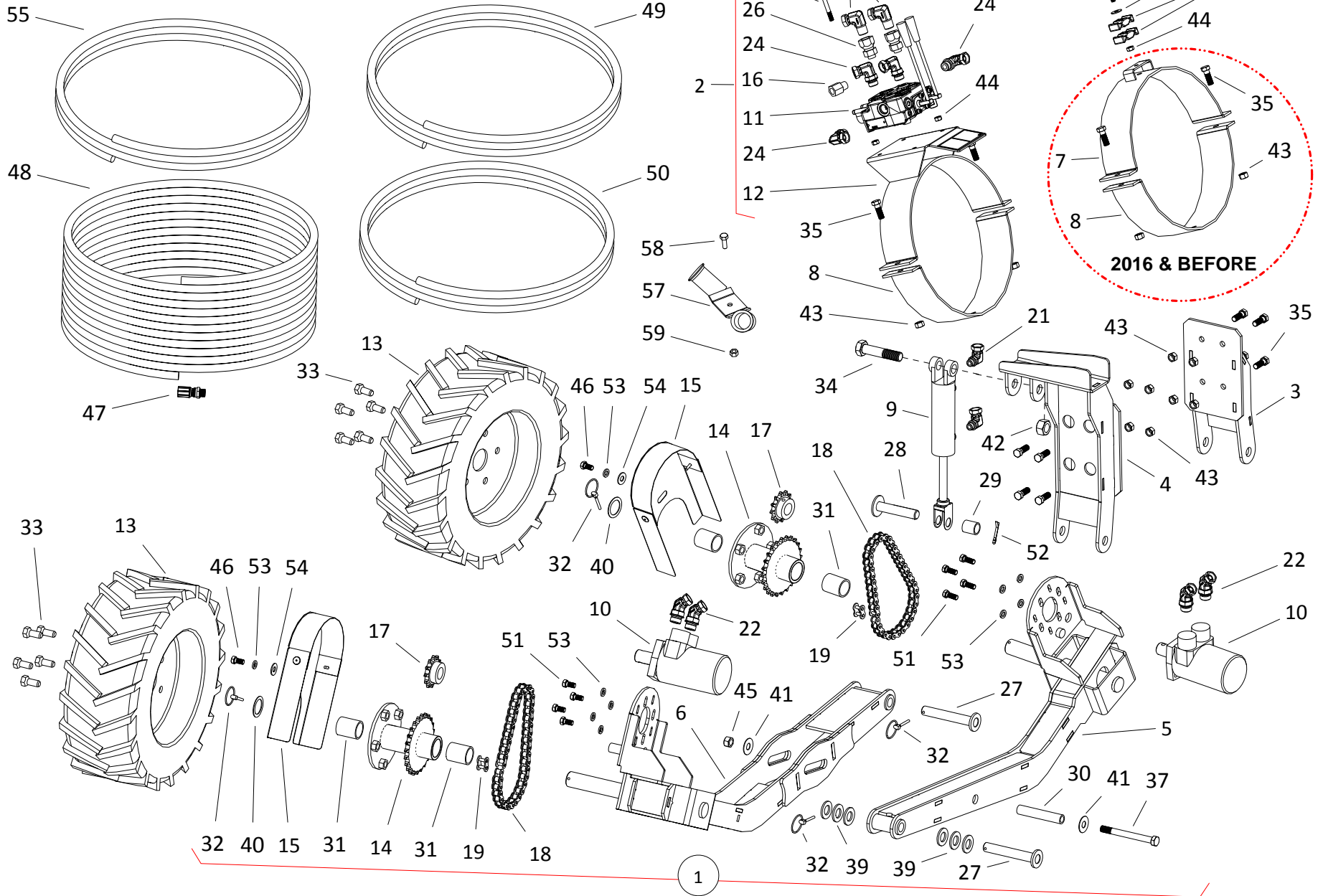
60 - MKX130 LANDING GEAR POWER SWING, HYDRAULIC



A333 HYDRAULIC LANDING GEAR POWER SWING - 13"

ITEM	PART NO.	DESCRIPTION
1	10-22560	LANDING GEAR PS HYD ASSEMBLY
2	10-22547	2-SPOOL VALVE ASSY, LANDING GEAR PS, 13"
3	10-22554	ATTACH, RH, MKX/X130 LGPS
4	10-22559	HYD CYLINDER ATTACH, MKX/X130 LGPS
5	10-22562	SHORT X-ARM, RH, LGPS
6	10-22564	SHORT X-ARM, LH, LGPS
7	10-21537	HOSE CLAMP
8	10-18987	13" HALF CLAMP
9	10-22161	1-1/2 X 8 HYDRAULIC CYLINDER
10	10-20246	PS HYD MOTOR, 17.9 CU IN
11	10-22548	2 SPOOL VALVE, 8 GPM
12	10-22549	2-SPOOL VALVE MOUNT, LGPS
13	10-20137	POWERSWING 5 BOLT WHEEL ASSEMBLY
14	10-20166	ASSY HUB, W/ BUSHING
15	10-22164	CHAIN GUARD, LANDING GEAR
16	10-22746	ORIFICE, 3/8" MALE X 3/8" FEMALE
17	10-20211	50B12 X 1 SPROCKET
18	10-19133	#50-1R X 37P ROLLER CHAIN
19	10-19134	#50 CONNECTOR LINK
20	10-28732	LINE BLOCK
21	10-22191	STEEL ELBOW 6MORB X 3/8 NSPM
22	10-22556	ADAPTER, 45 DEG, #10MORB X #6FNPSM
23	10-22557	STEEL ELBOW, 8MNPT X 6FNPSM
24	10-22558	STEEL ELBOW, 8MORB X 6FNPSM
25	10-28654	STEEL ELBOW 90DEG, 8MORB X 8FNPSM
26	10-28477	STEEL FITTING, 8MORB X 1/2FNPSM
27	10-22168	PIN, LANDING GEAR
28	10-22577	PIN, LGPS CYLINDER ATTACH
29	10-22578	SPACER SLEEVE, LGPS CYL ATTACH
30	10-22187	SLIDER BUSHING, LANDING GEAR
31	10-19776	BUSHING, 1-1/4"
32	10-29998	LYNCH PIN 3/16 X 1-1/4 Y.ZINC PLTD
33	10-20565	1/2" X 1" WHEEL BOLT (BLACK)
34	10-20398	3/4" X 3-1/2" NC BOLT GR 5 PLTD
35	10-18698	7/16" X 1-1/4" NC BOLT GR 8 PLTD
36	10-17631	5/16" X 2-1/2" NC BOLT GR 2 PLTD
37	9900564	1/2" X 5" UNC BOLT GR5 PLTD
39	10-19979	3/4" FLAT WASHER PLTD
40	10-17651	1-1/4" RIM WASHER
41	10-17401	1/2" FLAT WASHER PLTD
42	10-19601	3/4" NC NYLON LOCKNUT PLTD
43	10-17593	7/16" NC NYLON LOCKNUT GR5 YLW PLTD
44	10-19980	5/16" NC NYLON LOCKNUT PLTD
45	10-19599	1/2" NC NYLON LOCKNUT GR 2 PLTD
46	10-19540	3/8" X 3/4" NC BOLT GR 5 PLTD
47	9900047	PIONEER COUPLER
48	10-29368	1/2" X 247" HYDRAULIC HOSE
49	10-29414	3/8" X 46" HYDRAULIC HOSE
50	10-28229	3/8" X 50" HYDRAULIC HOSE
51	10-18955	3/8" X 1" NC BOLT GR 5 PLTD

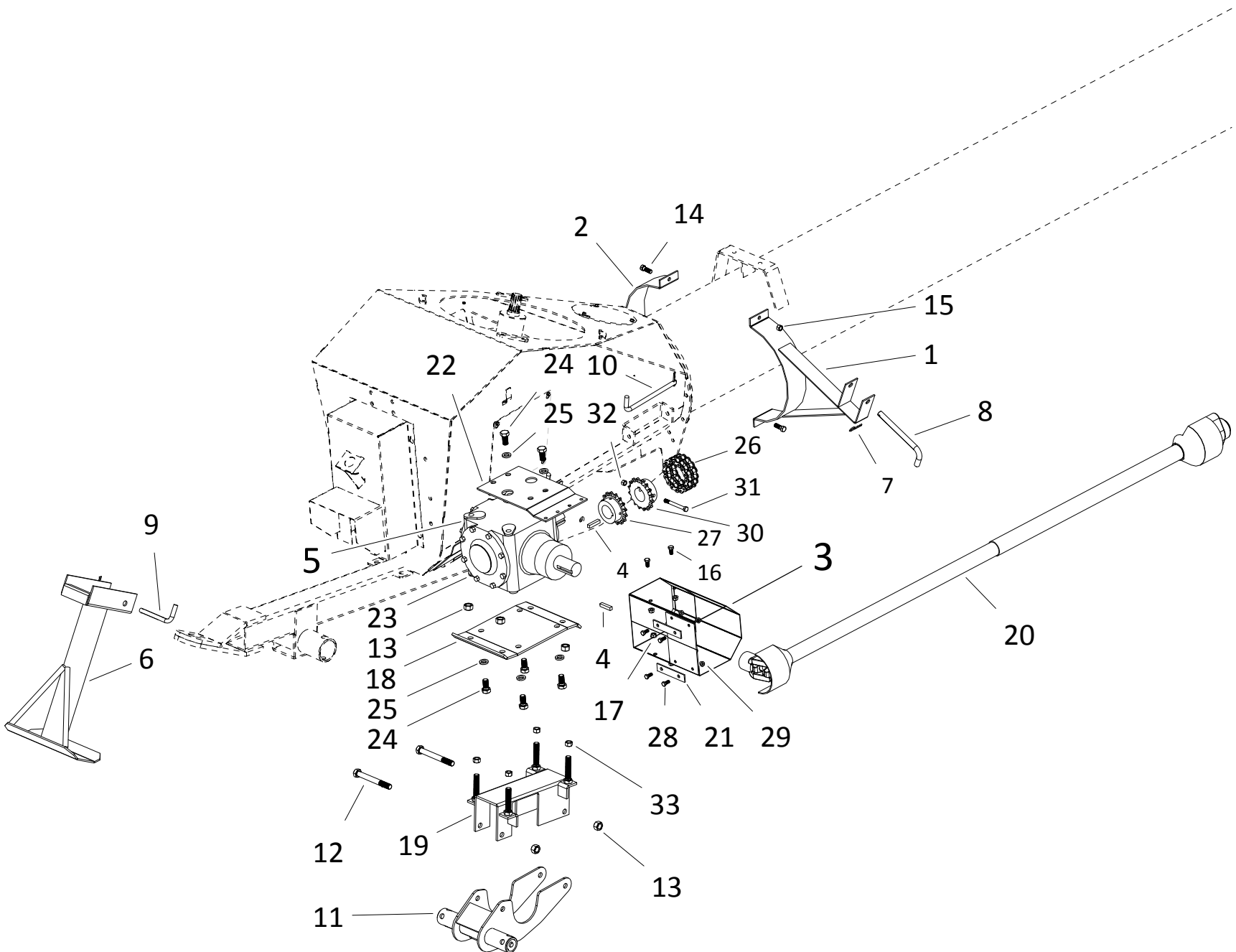
60 - MKX130 LANDING GEAR POWER SWING, HYDRAULIC



A333 HYDRAULIC LANDING GEAR POWER SWING - 13"

ITEM	PART NO.	DESCRIPTION
52	10-18155	COTTER PIN, 3/16" x 1-1/4"
53	10-19604	3/8" LOCK WASHER
54	10-17392	3/8" FLAT WASHER
55	10-22744	3/8" X 80" HYDRAULIC HOSE
56	10-27336	5/16" FLAT WASHER
57	10-17467	MK91 DOUBLE HOSE HOLDER
58	10-29246	3/8" X 1" GR8 SHEAR BOLT
59	10-17402	3/8" NC NYLON LOCKNUT PLTD
60	05-A333	MKX130 LANDING GEAR PS, HYD

A267 RIGHT ANGLE DRIVE KIT

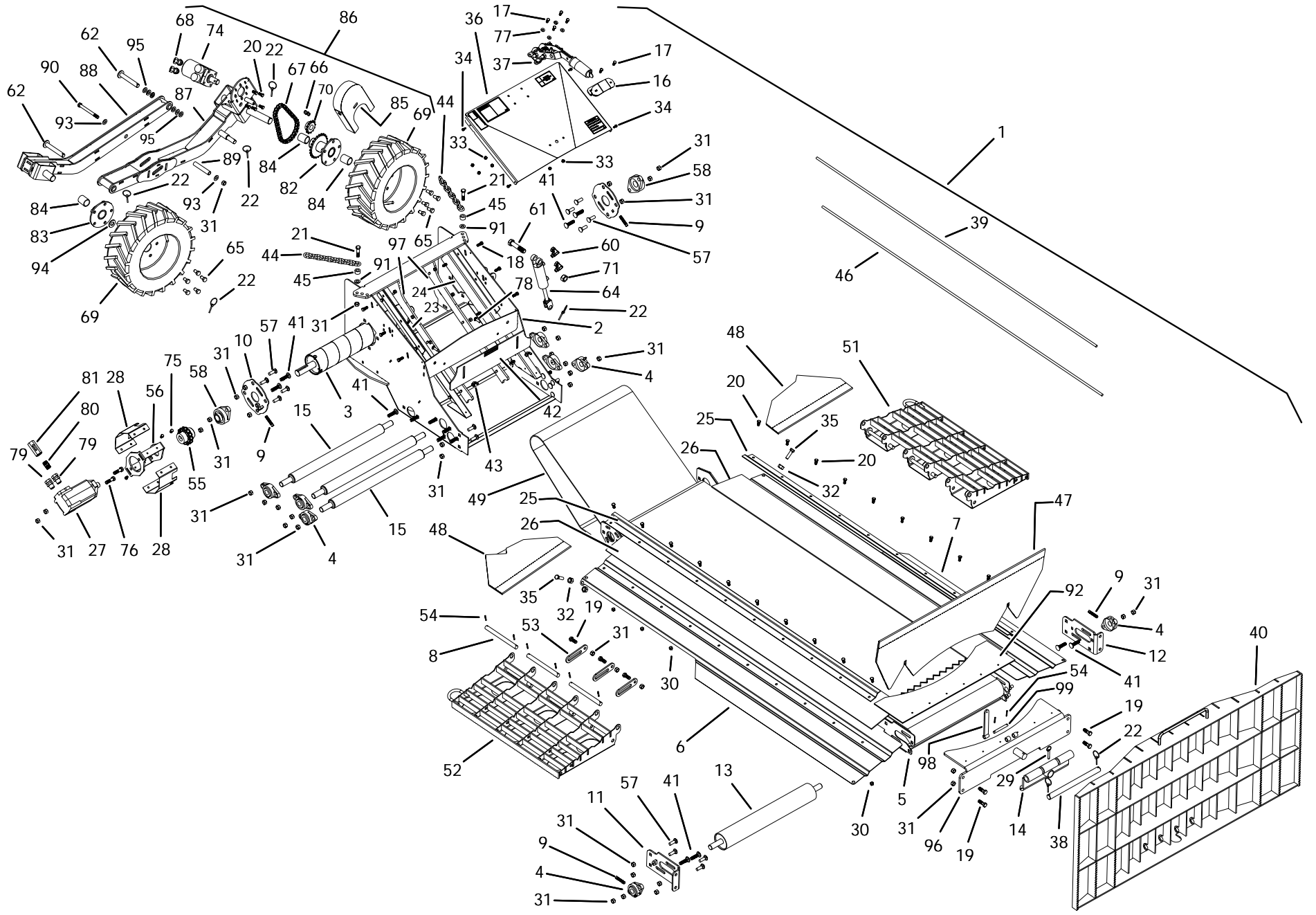


A267 RIGHT ANGLE DRIVE KIT

ITEM	PART NO.	DESCRIPTION
1	10-17259	W130 TRANSPORT SADDLE
2	10-18987	W130 HALF CLAMP
3	10-17258	W130-51/71 SHIELD ASSM
4	10-17066	SQUARE KEY, 3/8" X 1-3/4"
5	10-20110	GEARBOX ASSY, X13 RAD
6	10-20106	X13 RAD LEG
7	10-19463	210 HITCH PIN
8	10-19648	SADDLE PIN
9	10-17181	CLEVIS PIN
10	10-18074	MK/TR PIN
11	10-20107	X13 RAD JACK MOUNT
12	10-17632	BOLT, 5/8" x 5 1/2" GR8
13	10-19600	5/8" NYLON LOCKNUT
14	10-18698	7/16" X 1-1/4" BOLT GR8
15	10-19598	7/16" NYLON LOCKNUT GR2
16	10-19540	3/8" X 3/4" BOLT GR5
17	10-19596	3/8" serrated flange nut
18	10-20109	X13 RAD ADJUSTMENT PLATE
19	10-20108	X13 RAD GEARBOX MOUNT
20	10-17260	X13 RAD PTO SHAFT
21	10-18878	4-3/4" STRAP 11843
22	10-17605	MK 130 RAD ATTACH PLATE
23	10-17250	GEARBOX
24	10-17261	5/8" X 1-1/4" BOLT GR8
25	10-17262	5/8" LOCK WASHER
26	10-17254	ROLLER CHAIN W/ CONNECTOR LINK
27	10-17608	60B16 X 1-3/4" SPROCKET
28	10-19538	5/16" X 3/4" BOLT GR2
29	10-19595	5/16" FLANGENUT
30	10-22195	SPROCKET, 60B16 X 1-3/4
31	10-27982	3/8" X 3-1/2" NC BOLT GR 5 PLTD
32	10-17402	3/8" NC NYLON LOCKNUT PLTD
33	10-19864	5/8" NC HEX NUT PLTD

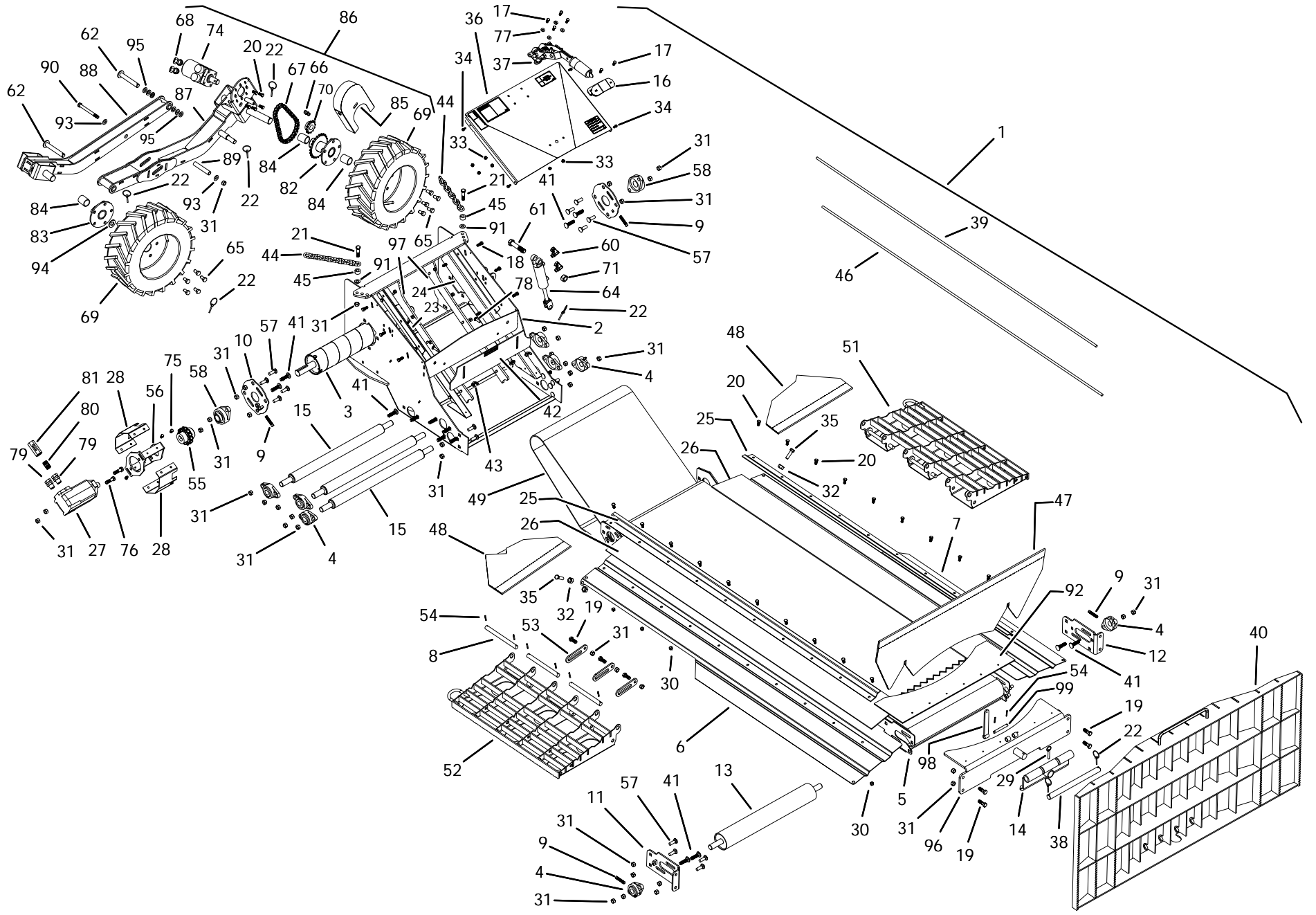
GULP2 HOPPER

90



GULP2 HOPPER

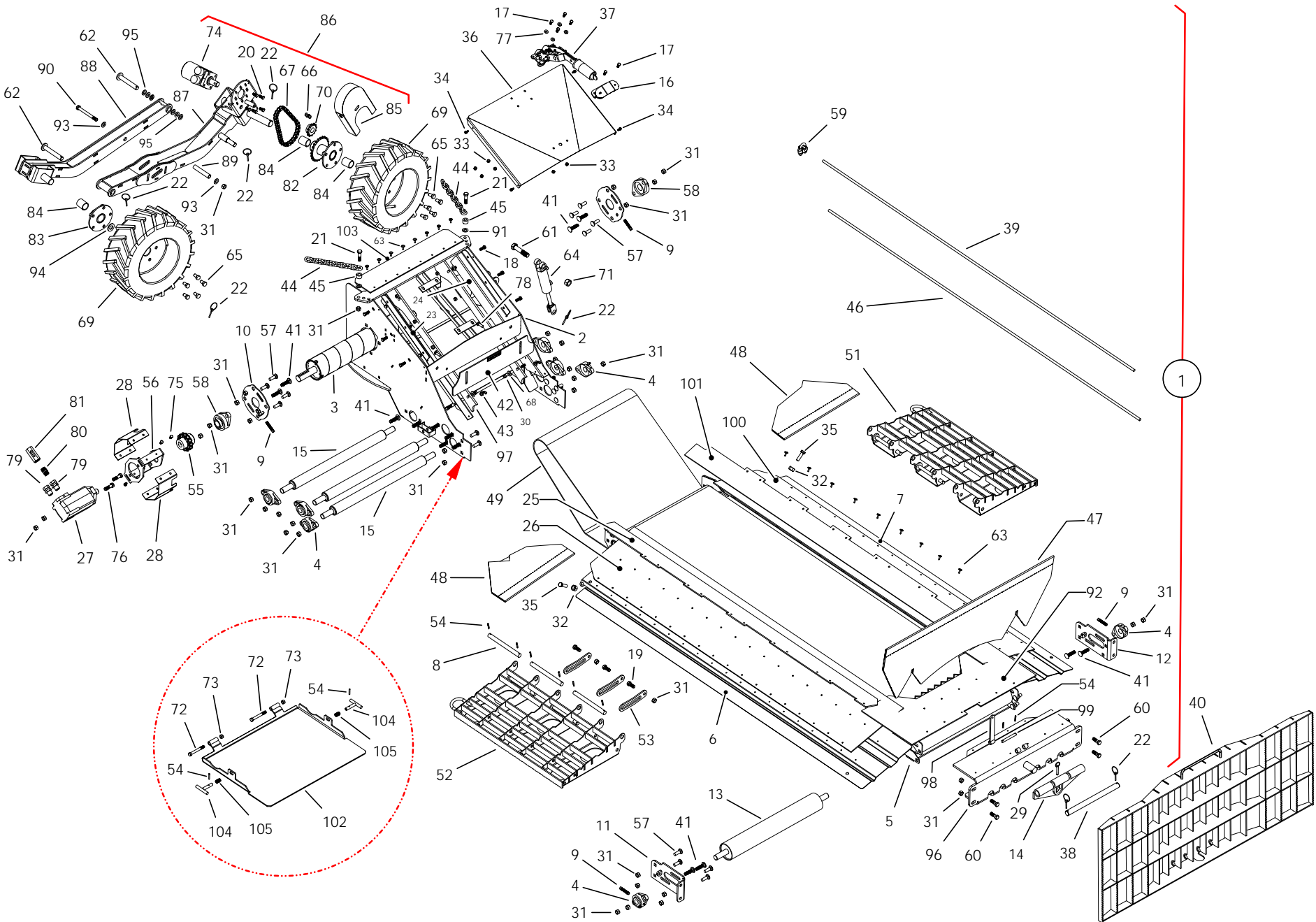
ITEM	PART NO.	DESCRIPTION
1	10-22160	MKX/X13 GULP 2 HOPPER ASSEMBLY, LG
2	10-21451	TRANSITION, GULP
3	10-21960	DRIVE ROLLER ASSY 1-1/4", GULP
4	0300013	BEARING ASSEMBLY
5	10-22369	DRIVEOVER ONLY, GULP 2
6	10-21466	RIGHT FLAP, GULP
7	10-21465	LEFT FLAP, GULP
8	10-21486	GULP, FLAP PIVOT PIN
9	10-17819	7/16" X 2-1/2" SQ HEAD SET SCREW YZ
10	10-21967	DRIVE ROLLER MOUNT, GULP
11	10-22375	REAR ROLLER MOUNT RH, GULP 2
12	10-22374	REAR ROLLER MOUNT LH, GULP 2
13	10-21462	REAR ROLLER, GULP
14	10-22379	REAR RAMP PIVOT, GULP 2
15	10-21849	SOLID ROLLER, IDLER - GULP
16	10-22253	FLAP LIFT DIVERTER ASSY, GULP
17	10-19538	5/16" X 3/4" NC BOLT GR 2 PLTD
18	10-18955	3/8" X 1" NC BOLT GR 5 PLTD
19	10-19588	1/2" X 1-1/4" NC BOLT GR 5 PLTD
20	10-19540	3/8" X 3/4" NC BOLT GR 5 PLTD
21	10-27816	1/2" X 2" NC BOLT GR 5 PLTD
22	10-29998	LYNCH PIN 3/16 X 1-1/4 Y.ZINC PLTD
23	10-22377	SEAL ATTACH, RH, GULP 2
24	10-22378	SEAL ATTACH, LH, GULP 2
25	10-21464	RUBBER FLAP CLAMP, GULP
26	10-21404	8" X 74.75" X .178 BELT, GULP
27	10-18066	HYDRAULIC MOTOR
28	10-21456	HYDRALIC MOTOR GUARD, GULP
29	10-21485	5/16" X 1-1/2" LYNCH PIN
30	10-17402	3/8" NC NYLON LOCKNUT PLTD
31	10-19599	1/2" NC NYLON LOCKNUT GR 2 PLTD
32	10-19600	5/8" NC NYLON LOCKNUT PLTD
33	10-19980	5/16" NC NYLON LOCKNUT PLTD
34	10-19274	#14 X 5/8" SMS AB GR 5 PLTD
35	10-21534	GULP, CABLE RETAINER
36	10-21452	TRANSITION LID, GULP
37	10-21476	OVERCENTER HANDLE, GULP
38	10-21517	REAR RAMP PIN, GULP
39	10-21470	FLAP LIFT CABLE, GULP
40	10-21475	REAR RAMP, GULP
41	10-21525	1/2" X 2" CARRIAGE BOLT GR 5 PLTD
42	10-21530	GULP, FLOW ADJUST DOOR
43	10-20082	3/8" WING NUT PLTD
44	10-21488	CHAIN, 5/16" X 10 LINK, GULP
45	10-21529	GULP, DOM CHAIN SPACER
46	10-21835	GULP BUNGEE CORD
47	10-21469	GULP, REAR APRON
48	10-21468	GULP, FRONT APRON
49	10-21405	GULP, CHEVRON BELT 23.5" X 237"
50	10-21495	GULP LACING KIT



GULP2 HOPPER

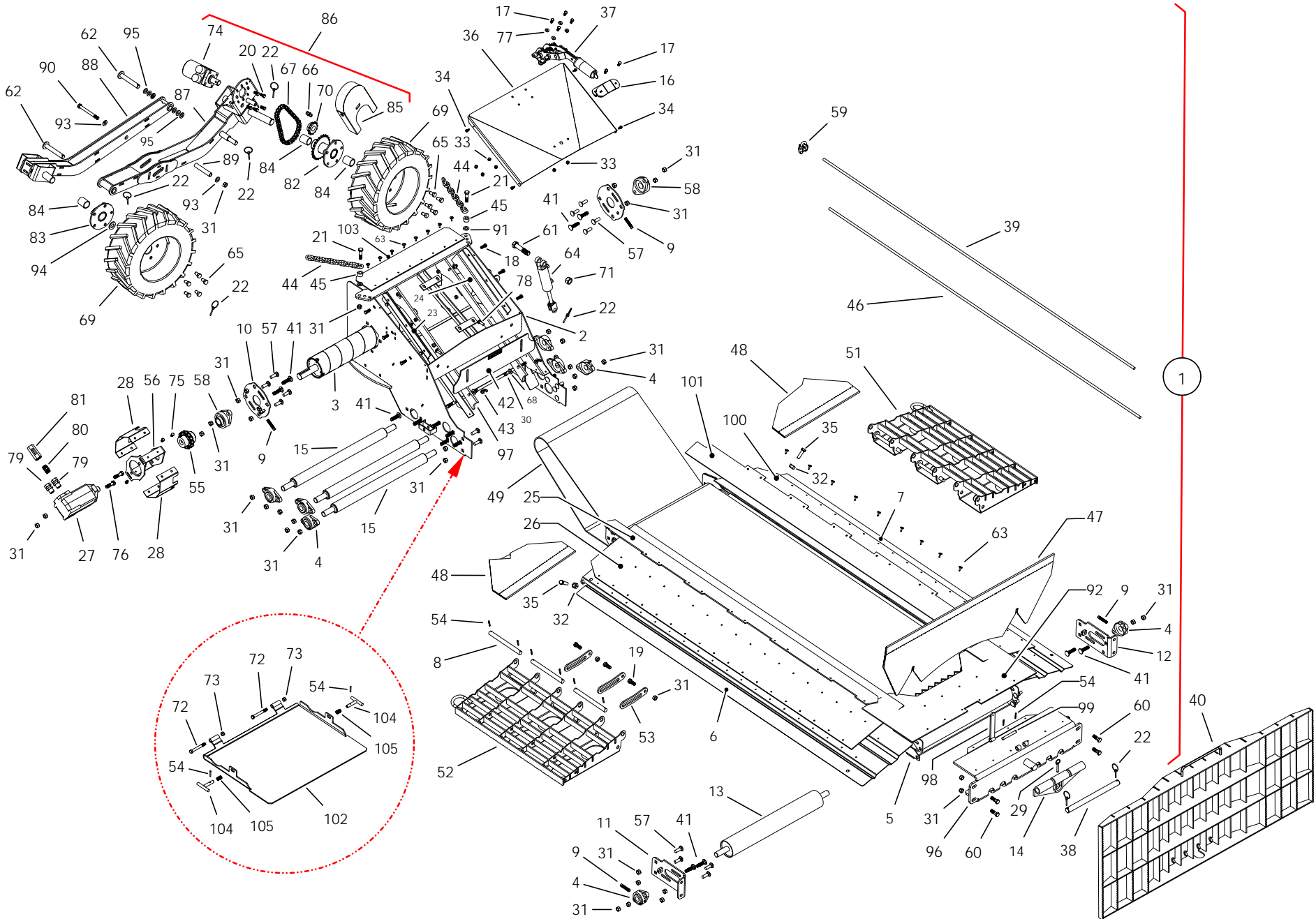
ITEM	PART NO.	DESCRIPTION
51	10-21561	GULP, SIDE RAMP, LH
52	10-21562	GULP, SIDE RAMP, RH
53	10-21564	GULP, LOCK SLOT LINK
54	10-28726	3/16" X 1-1/2" ROLL PIN
55	10-19556	FLEX CPLR, 1.25KEY X 1" KEY
56	10-22158	S2000 MOTOR MOUNT, GULP
57	10-17807	1/2"X1-1/2"CARRIAGE BOLT GR 2 PLTD
58	10-27246	1-1/4" BEARING, 2-BOLT PILLOW
59	10-19147	1/4" CABLE CLAMP
60	10-22191	STEEL ELBOW 6MORB X 3/8 NSPM
61	10-20398	3/4" X 3-1/2" NC BOLT GR 5 PLTD
62	10-22168	PIN, LANDING GEAR
64	10-22161	1-1/2 X 8 HYDRAULIC CYLINDER
65	10-20565	1/2" X 1" WHEEL BOLT (BLACK)
66	10-19134	#50 CONNECTOR LINK
67	10-19133	#50-1R X 37P ROLLER CHAIN
68	10-20256	#8 FNPTS X #10 MORB, 45 DEG FITTING
69	10-21535	PS 5 BOLT WHEEL ASSM W/ TUBE
70	10-20211	50B12 X 1 SPROCKET
71	10-19601	3/4" NC NYLON LOCKNUT PLTD
74	10-20246	PS HYD MOTOR, 17.9 CU IN
75	10-21421	5/16" X 1/2" NC BOLT GR 2 PLTD
76	10-19974	1/2" X 1-3/4" NC BOLT GR 8 PLTD
77	9900683	1/4" FLAT WASHER PLTD
78	10-27986	3/8" X 1" NC CARRIAGE BOLT GR 5 PLT
79	9900204	FTG,STL,10MORB X 1/2NSPM
80	10-28479	STEEL NIPPLE 1/2NPT
81	10-22147	1/2"FNPT X 1/2"FNPT CHECK VALVE
82	10-20166	ASSY HUB, W/ BUSHING
83	10-22165	IDLER WHEEL HUB, LANDING GEAR
84	10-19776	BUSHING, 1-1/4"
85	10-22164	CHAIN GUARD, LANDING GEAR
86	10-22190	GULP LANDING GEAR ASSEMBLY
87	10-22162	X-ARM, LH, LANDING GEAR
88	10-22163	X-ARM, RH, LANDING GEAR
89	10-22187	SLIDER BUSHING, LANDING GEAR
90	9900564	1/2" X 5" UNC BOLT GR5 PLTD
91	10-22137	1-1/16 X 17/32 X 3/32 WASHER PLATED
92	10-22254	GULP REAR PLATE RUBBER SPACER
93	10-17401	1/2" FLAT WASHER PLTD
94	10-17651	1-1/4" RIM WASHER PLTD
95	10-18948	3/4" RIM WASHER PLTD
96	10-22372	GULP 2 END PLATE
97	10-22376	GULP 2 TRANS. SEAL PLATE
98	10-22432	REAR APRON HINGE PIVOT, GULP2
99	10-22433	REAR APRON HINGE PIN, GULP 2

GULP2 HOPPER (2017)



GULP2 HOPPER (2017)

ITEM	PART NO.	DESCRIPTION
1	10-23077	MKX/X13 GULP 2 HOPPER ASSEMBLY, LG (2017)
2	10-23056	TRANSITION, GULP2 (2017)
3	10-21960	DRIVE ROLLER ASSY 1-1/4", GULP
4	0300013	BEARING ASSEMBLY
5	10-23057	DRIVEOVER ONLY, GULP2 (2017)
6	10-23061	RIGHT FLAP, GULP2 (2017)
7	10-23062	LEFT FLAP, GULP2 (2017)
8	10-21486	GULP, FLAP PIVOT PIN
9	10-17819	7/16" X 2-1/2" SQ HEAD SET SCREW YZ
10	10-21967	DRIVE ROLLER MOUNT, GULP
11	10-22375	REAR ROLLER MOUNT RH, GULP2
12	10-22374	REAR ROLLER MOUNT LH, GULP2
13	10-21462	REAR ROLLER, GULP
14	10-23068	RAMP PIVOT, GULP2 (2017)
15	10-21849	SOLID ROLLER, IDLER - GULP
16	10-22253	FLAP LIFT DIVERTER ASSY, GULP
17	10-19538	5/16" X 3/4" NC BOLT GR 2 PLTD
18	10-18955	3/8" X 1" NC BOLT GR 5 PLTD
19	10-19588	1/2" X 1-1/4" NC BOLT GR 5 PLTD
20	10-19540	3/8" X 3/4" NC BOLT GR 5 PLTD
21	10-27816	1/2" X 2" NC BOLT GR 5 PLTD
22	10-29998	LYNCH PIN 3/16 X 1-1/4 Y.ZINC PLTD
23	10-23065	SEAL ATTACH, RH, GULP2 (2017)
24	10-23066	SEAL ATTACH, LH, GULP2 (2017)
25	10-23073	RUBBER DECK, RH, GULP2 (2017)
26	10-23071	RUBBER FLAP, RH, GULP2 (2017)
27	10-18066	HYDRAULIC MOTOR
28	10-21456	HYDRALIC MOTOR GUARD, GULP
29	10-21485	5/16" X 1-1/2" LYNCH PIN
30	10-17402	3/8" NC NYLON LOCKNUT PLTD
31	10-19599	1/2" NC NYLON LOCKNUT GR 2 PLTD
32	10-19600	5/8" NC NYLON LOCKNUT PLTD
33	10-19980	5/16" NC NYLON LOCKNUT PLTD
34	10-19274	#14 X 5/8" SMS AB GR 5 PLTD
35	10-21534	GULP, CABLE RETAINER
36	10-21452	TRANSITION LID, GULP
37	10-21476	OVERCENTER HANDLE, GULP
38	10-21517	REAR RAMP PIN, GULP
39	10-21470	FLAP LIFT CABLE, GULP
40	10-23063	REAR RAMP, GULP2 (2017)
41	10-21525	1/2" X 2" CARRIAGE BOLT GR 5 PLTD
42	10-21530	GULP, FLOW ADJUST DOOR
43	10-20082	3/8" WING NUT PLTD
44	10-21488	CHAIN, 5/16" X 10 LINK, GULP
45	10-21529	GULP, DOM CHAIN SPACER
46	10-21835	GULP BUNGEE CORD
47	10-21469	GULP, REAR APRON
48	10-21468	GULP, FRONT APRON
49	10-21405	GULP, CHEVRON BELT 23.5" X 237"
50	10-21495	GULP LACING KIT



GULP2 HOPPER (2017)

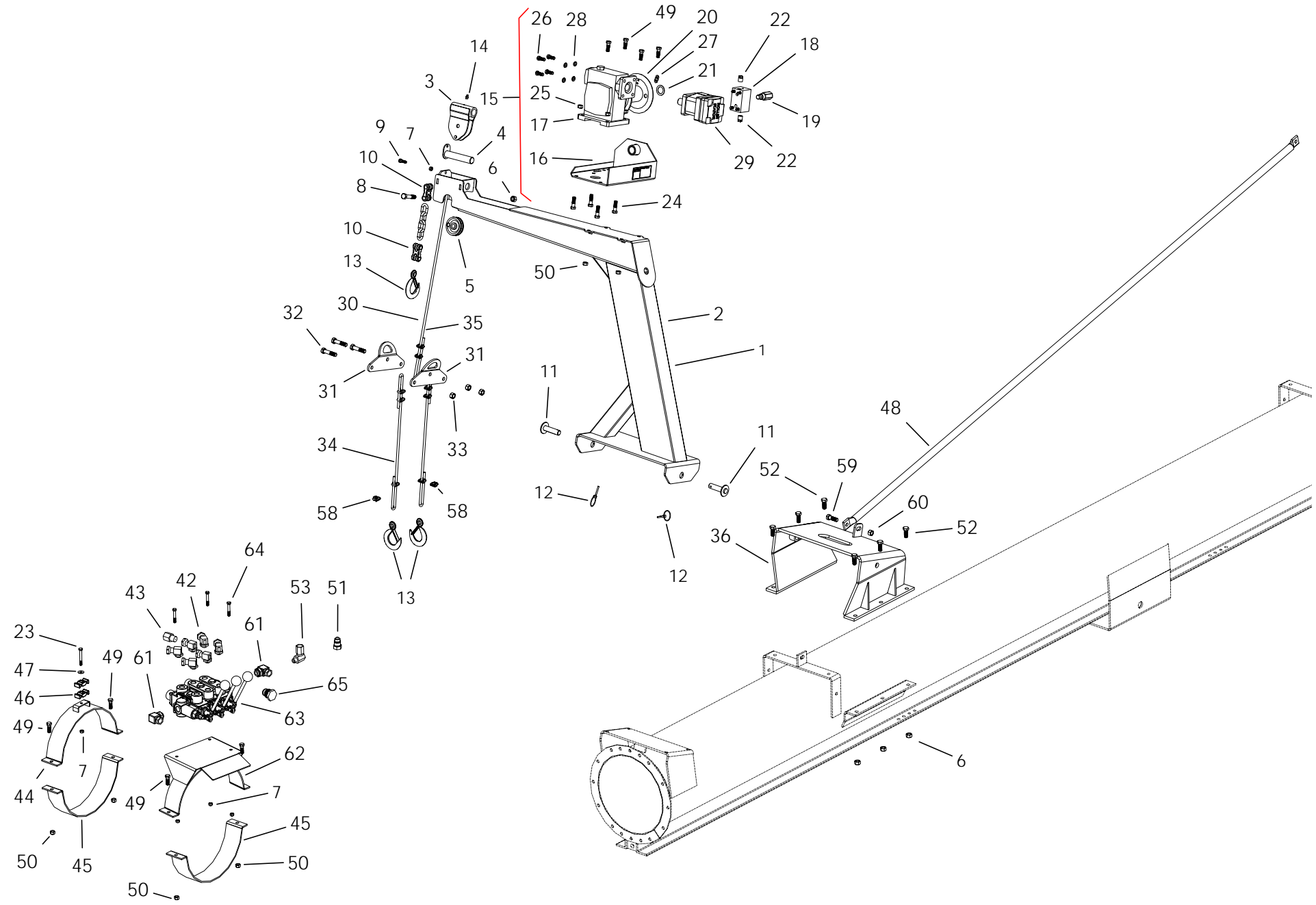
ITEM	PART NO.	DESCRIPTION
51	10-23059	SIDE RAMP, LH, GULP2 (2017)
52	10-23060	SIDE RAMP, RH, GULP2 (2017)
53	10-23069	LOCK SLOT LINK, GULP2 (2017)
54	10-28726	3/16" X 1-1/2" ROLL PIN
55	10-19556	FLEX CPLR, 1.25KEY X 1" KEY
56	10-22158	S2000 MOTOR MOUNT, GULP
57	10-17807	1/2"X1-1/2"CARRIAGE BOLT GR 2 PLTD
58	10-27246	1-1/4" BEARING, 2-BOLT PILLOW
59	10-19147	1/4" CABLE CLAMP
60	10-19589	BOLT, 1/2" X 1-1/2"
61	10-20398	3/4" X 3-1/2" NC BOLT GR 5 PLTD
62	10-22168	PIN, LANDING GEAR
63	10-18185	LARGE FLANGE RIVET
64	10-22161	1-1/2 X 8 HYDRAULIC CYLINDER
65	10-20565	1/2" X 1" WHEEL BOLT (BLACK)
66	10-19134	#50 CONNECTOR LINK
67	10-19133	#50-1R X 37P ROLLER CHAIN
68	10-17392	FLAT WASHER, 3/8" PLTD
69	10-21535	PS 5 BOLT WHEEL ASSM W/ TUBE
70	10-20211	50B12 X 1 SPROCKET
71	10-19601	3/4" NC NYLON LOCKNUT PLTD
72	10-19547	BOLT, 7/16" X 3-1/2"
73	10-17753	HEX NUT, 7/16"
74	10-20246	PS HYD MOTOR, 17.9 CU IN
75	10-21421	5/16" X 1/2" NC BOLT GR 2 PLTD
76	10-19974	1/2" X 1-3/4" NC BOLT GR 8 PLTD
77	9900683	1/4" FLAT WASHER PLTD
78	10-27986	3/8" X 1" NC CARRIAGE BOLT GR 5 PLT
79	9900204	FTG,STL,10MORB X 1/2NSPM
80	10-28479	STEEL NIPPLE 1/2NPT
81	10-22147	1/2"FNPT X 1/2"FNPT CHECK VALVE
82	10-20166	ASSY HUB, W/ BUSHING
83	10-22165	IDLER WHEEL HUB, LANDING GEAR
84	10-19776	BUSHING, 1-1/4"
85	10-22164	CHAIN GUARD, LANDING GEAR
86	10-22190	GULP LANDING GEAR ASSEMBLY
87	10-22162	X-ARM, LH, LANDING GEAR
88	10-22163	X-ARM, RH, LANDING GEAR
89	10-22187	SLIDER BUSHING, LANDING GEAR
90	9900564	1/2" X 5" UNC BOLT GR5 PLTD
91	10-22137	1-1/16 X 17/32 X 3/32 WASHER PLATED
92	10-23070	REAR PLATE RUBBER SPACER, GULP2 (2017)
93	10-17401	1/2" FLAT WASHER PLTD
94	10-17651	1-1/4" RIM WASHER PLTD
95	10-19979	FLAT WASHER, 3/4" PLTD
96	10-23064	END PLATE, GULP2 (2017)
97	10-23058	TRANS. SEAL PLATE, GULP2 (2017)
98	10-22432	REAR APRON HINGE PIVOT, GULP2
99	10-22433	REAR APRON HINGE PIN, GULP 2
100	10-23072	RUBBER FLAP, LH, GULP2 (2017)

GULP2 HOPPER (2017)

ITEM	PART NO.	DESCRIPTION
101	10-23074	RUBBER DECK, LH, GULP2 (2017)
102	10-23067	REMOVABLE PANEL, GULP2 (2017)
103	10-23075	RUBBER TOP TRANS, GULP2 (2017)
104	10-28856	LOCK PIN
105	10-28645	COMPRESSION SPRING (SINGLE)

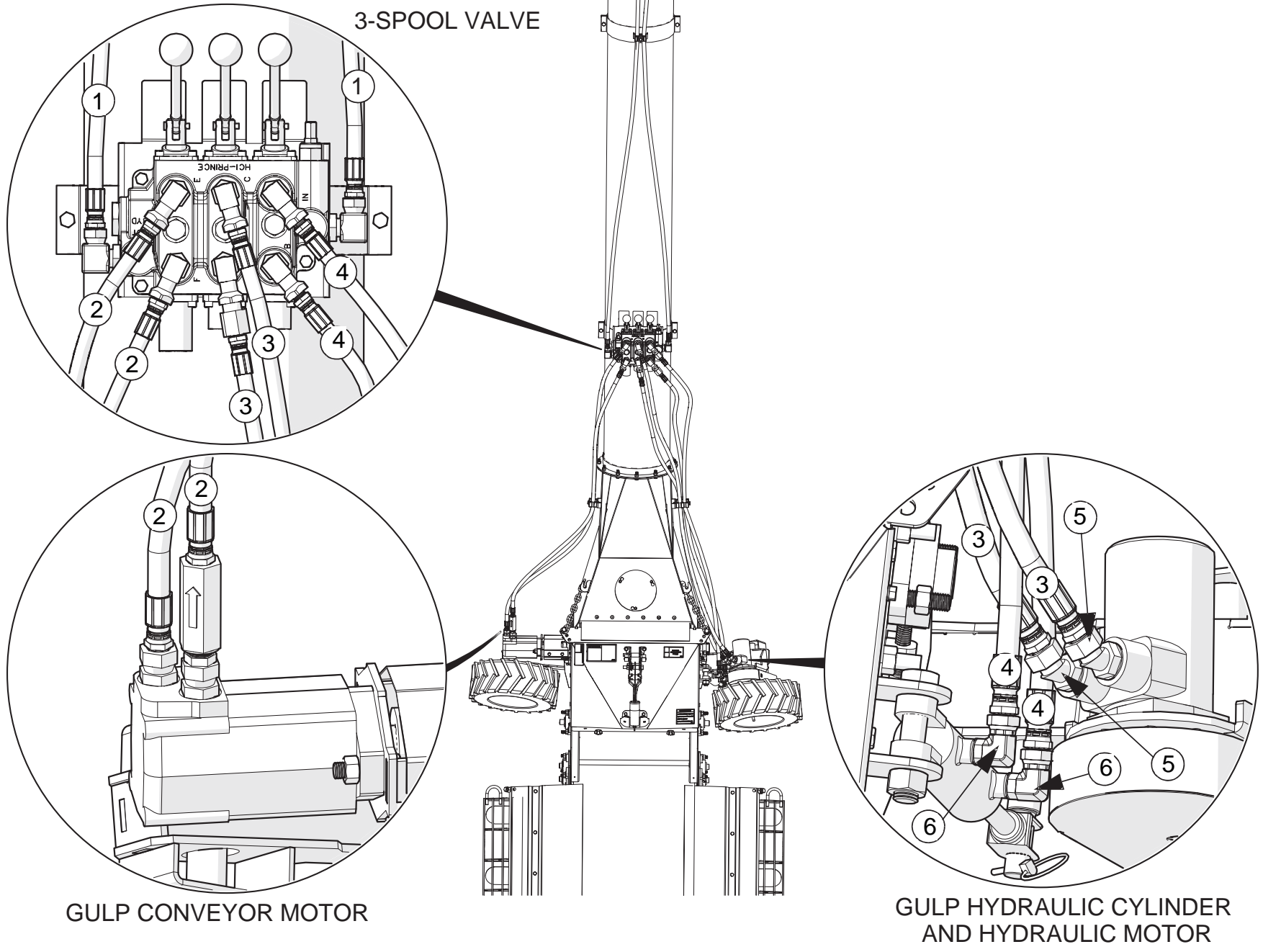
GULP2 PARTS

ITEM	PART NO.	DESCRIPTION
1	10-21538	GULP LIFT ARM ASSEMBLY
2	10-21574	GULP, LIFT ARM ONLY
3	10-21577	GULP, PIN SLEEVE
4	10-21576	GULP, LIFT ARM PULLEY PIN
5	10-21494	MKX160 LIFT ARM PULLEY ASSEMBLY
6	10-19599	1/2" NC NYLON LOCKNUT GR 2 PLTD
7	10-19980	5/16" NC NYLON LOCKNUT PLTD
8	10-20772	BOLT, 1/2" X 2-1/2" GR 8
9	10-18091	5/16" X 1" NC BOLT GR 2 PLTD
10	10-20083	5/16" MID LINK
11	10-21575	GULP, LIFT ARM ATTACH PIN
12	10-29998	LYNCH PIN 3/16 X 1-1/4 Y.ZINC PLTD
13	10-11920	1/2T EYE HOIST HOOK PAINTED W/ LATCH
14	10-19222	1/4" #28 GREASE ZERK
15	10-17634	HYDRAULIC WINCH ASSEMBLY, RED
16	10-17628	HYD WINCH FRAME ASSEMBLY, RED
17	10-17625	60 WPUDS 20:1
18	0700023	MANIFOLD WINCH RELIEF BLOCK
19	0700024	VALVE WINCH NON-ADJ REFLIEF MANIFOLD
20	10-17629	HYDRAULIC WINCH DRUM, RED
21	10-18097	1" RIM WASHER PLTD
22	0308013	3/8" NPT PLASTIC PLUG
23	10-17631	5/16" X 2-1/2" NC BOLT GR 2 PLTD
24	10-28744	7/16" X 1-1/2" NC BOLT GR 5 PLTD
25	10-19598	7/16" NC NYLON LOCKNUT GR 2 PLTD
26	10-18955	3/8" X 1" NC BOLT GR 5 PLTD
27	10-18496	ROPE KEEPER KIT
28	10-19604	3/8" LOCK WASHER PLTD
29	10-17626	MOTOR, HYD, 3.2, MANIFOLD KEYED
30	10-21533	GULP HOPPER LIFT CABLE
31	10-21580	GULP, LIFT DIVERter PLATE
32	9900560	1/2" X 2-1/4" NC BOLT GR 5 PLTD
33	10-19599	1/2" NC NYLON LOCKNUT GR 2 PLTD
34	10-21589	SIDE CABLE ASSEMBLY, GULP
35	10-21590	TOP CABLE ASSEMBLY, GULP
36	10-21769	GULP LIFT ARM WELDMENT
42	10-20104	STEEL ELBOW 10MORB X 1/2 NPSM
43	10-28315	LINE THROTTLE FITTING
44	10-21537	GULP, HOSE CLAMP
45	10-18987	W130 HALF CLAMP
46	10-28732	EMP-LB004 LINE BLOCK
47	10-27336	5/16" FLAT WASHER PLTD
48	10-21489	GULP, TRUSS X-BRACE (MKX130-84/94/114)
49	10-18698	7/16" X 1-1/4" NC BOLT GR 8 PLTD
50	10-17593	7/16" NC NYLON LOCKNUT GR 5 YLW PLTD
51	9900047	PIONEER COUPLER
52	10-19588	1/2" X 1-1/4" NC BOLT GR 5 PLTD
53	1100625	STEEL ELBOW 90.1/2FNPSMX3/8MNPT
58	10-19333	5/16" Cable Clamp
59	10-19589	1/2" X 1-1/2" NC BOLT GR 8 PLTD



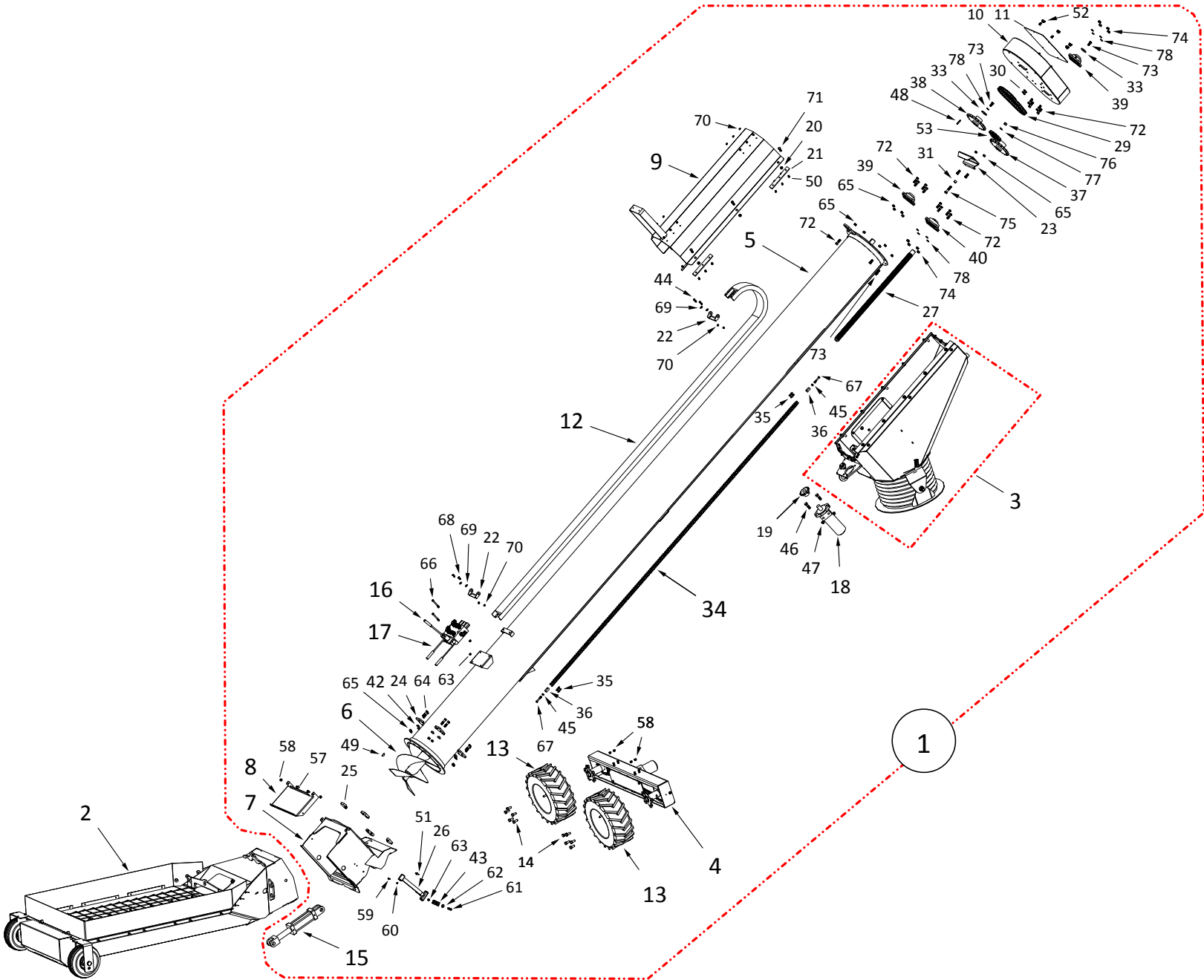
GULP2 PARTS

ITEM	PART NO.	DESCRIPTION
60	10-17750	1/2" NC NYLON LOCKNUT GR 5 YLW PLTD
61	10-21569	ADAPTER, #8FPT 90 DEGREE #12 MORB
62	10-22171	VALVE MOUNT, 3-SPOOL
63	10-22170	3-SPOOL VALVE, ONLY
64	10-19539	5/16" X 2" NC BOLT GR 2 PLTD
65	10-22156	CONVERSION PLUG, OPEN CENTER
66	10-21638	CLOSED CENTER PLUG ASSM (NOT SHOWN)



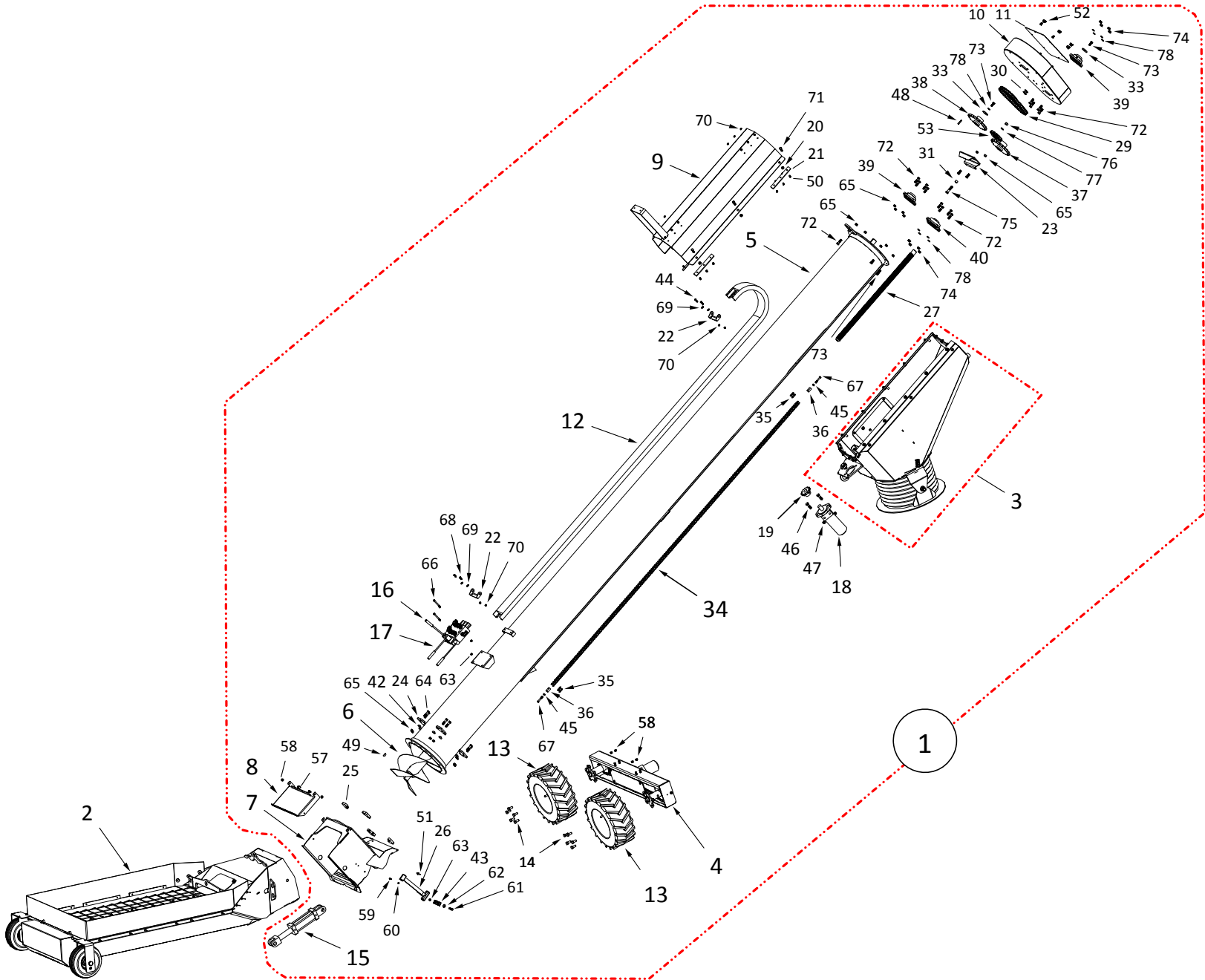
GULP2 HYDRAULIC LINES

ITEM	PART NO.	DESCRIPTION
1	10-29368	1/2" X 247" hydraulic hose
2	10-29394	1/2" X 72" hydraulic hose
3	10-28835	3/8" x 78" hydraulic hose
4	10-22188	3/8" x 72" hydraulic hose
5	10-20256	#8 FNPTS x #10 MORB, 45 DEG FITTING
6	10-22191	STEEL ELBOW 6 MORB X 3/8 NSPM



MKX-TEND ASSEMBLY [A383]

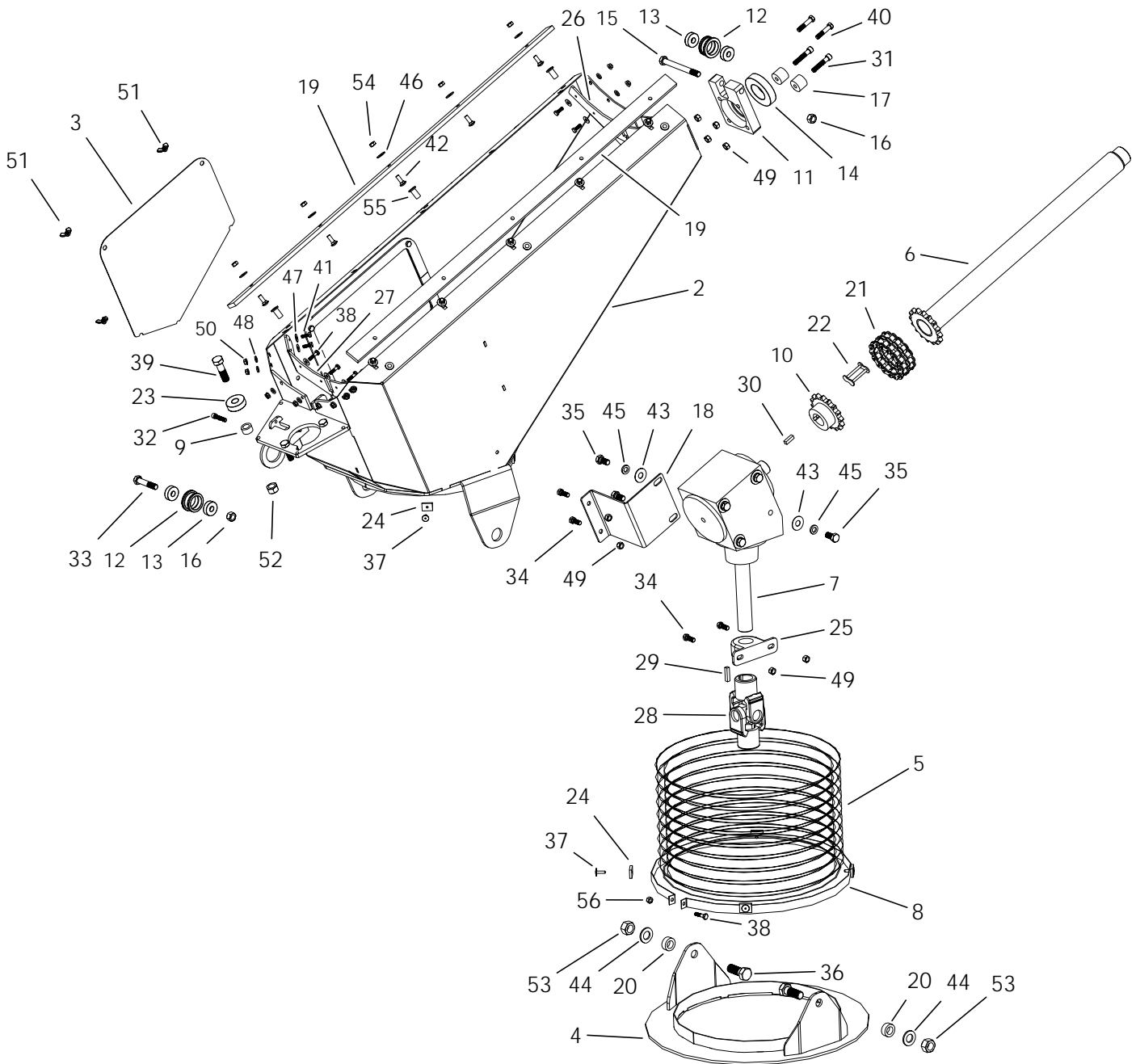
ITEM	PART NO.	DESCRIPTION
1	10-22832	13" MKXTEND TUBE ASSY
2	10-22748	X-TEND HOPPER ASSY, 13"
3	10-22799	13" COLLECTOR ASSEMBLY, RODONO
4	10-22905	POWERSWING ASSY, 13" RODONO
5	10-22834	13" RETRACTOR TUBE ONLY, RODONO
6	10-22835	RETRACTOR FLIGHT, RODONO
7	10-22774	RECTRACTOR, RODONO
8	10-22778	RETRACTOR LID, RODONO
9	10-22811	COLLECTOR COVER, RODONO
10	10-22860	CHAINBOX, RODONO
11	10-22866	CHAINBOX ACCESS DOOR, RODONO
12	10-22838	CABLE TRAY CARRIER X 3', 240-10-125
13	10-20137	POWERSWING 5 BOLT WHEEL ASSM
14	10-20565	1/2" X 1" WHEEL BOLT (BLACK)
15	10-22789	HYDRAULIC CYLINDER
16	10-22979	HYD VALVE ASSY, 13" RODONO
17	10-22839	3 SPOOL VALVE
18	10-22869	HYDRAULIC MOTOR
19	9900180	SPROCKET, 60B12 X 1
20	10-19596	WHIZNUT, 3/8" PLTD
21	10-22809	SMALL COLLECTOR WEAR STRIP
22	10-22958	LOCKING BRACKET, 2100-12PZ
23	10-22953	CHAINBOX TIGHTENER Z BRKT, RODONO
24	10-22805	FLANGE HOLDER PLATE, RODONO
25	10-22960	RETRACTOR SWVL SPACER BLOCK, RODONO
26	10-22870	HOOD LATCH, 7-7/8"
27	10-22867	SPLINE SHAFT, 1-3/8" DIA
29	10-23040	CHAIN, #80-43P W/ CONNECTOR LINK
30	10-19323	CONNECTOR LINK, #80
31	10-22946	TIGHTENER SPACER, RODONO
33	10-22865	TIGHTENING WASHER, RODONO
34	10-23041	CHAIN, #60-161P W/ CONNECTOR LINKS
35	10-19433	CONNECTOR LINK, #60
36	10-22836	SLIDING CHAIN TIGHTNER
37	10-22863	SPROCKET, UPPER CHAINBOX, RODONO
38	10-22935	SPROCKET, UPPER CHAINBOX, RODONO
39	10-22788	BEARING, FHF206-20G
40	10-22930	BEARING, FHF207-22G
42	10-22806	WEAR BUTTON
43	10-28732	LINE BLOCK, EMP-LB-002
44	10-20445	BOLT, 1/4" X 1" GR8 PLTD
45	10-17871	HEX NUT, 5/16" PLAIN GR2
46	10-19974	BOLT, 1/2" X 1-3/4" GR8 PLTD
47	10-19599	LOCKNUT, 1/2"
48	10-19606	KEY, 1/4" X 1-1/2" SQ
49	10-19224	WOODRUFF KEY, 1/4" X 1"
50	10-22954	BUTTON HEAD CAP SCREW, 1/4" X 3/4" GR5
51	10-20399	3/16" X 5/8" GRIP RIVET
52	10-22938	WING NUT, 5/16" PLTD
53	10-28639	SPROCKET, IDLER, 80B12 X 0.5"ID



MKX-TEND ASSEMBLY [A383]

ITEM	PART NO.	DESCRIPTION
57	10-19540	BOLT, 3/8" X 3/4" GR5 PLTD
58	10-17402	3/8" NC NYLON LOCKNUT PLTD
59	10-28656	BOLT, #10 X 3/4 PLTD
60	10-28657	LOCKNUT, #10 PLTD
61	10-27788	BOLT, 5/16" X 1-1/2" GR5 PLTD
62	10-27336	FLAT WASHER, 5/16" PLTD
63	10-19980	LOCKNUT, 5/16" PLTD
64	10-19981	BOLT, 7/16" X 1-3/4" GR8 PLTD
65	10-19598	7/16" NC NYLON LOCKNUT GR 2 PLTD
66	2300022	BOLT, 5/16" X 3" GR5 PLTD
67	10-19539	BOLT, 5/16" X 2" GR2 PLTD
68	9900800	BOLT, 1/4" X 3/4" GR5 PLTD
69	9900683	FLAT WASHER, 1/4" PLTD
70	10-28449	LOCKNUT, 1/4" PLTD
71	9900637	TAP BOLT, 3/8" X 1-1/2" GR5 PLTD
72	10-28744	BOLT, 7/16" X 1-1/2" GR5 PLTD
73	10-19542	BOLT, 7/16" X 1" GR5 PLTD
74	10-19597	WHIZNUT, 7/16" GR2 PLTD
75	10-20772	BOLT, 1/2" X 2-1/2" GR8 PLTD
76	10-19602	HEX NUT, 1/2" PLTD
77	10-19605	LOCK WASHER, 1/2" PLTD
78	9900508	LOCK WASHER, 7/16" PLTD

MKX-TEND COLLECTOR

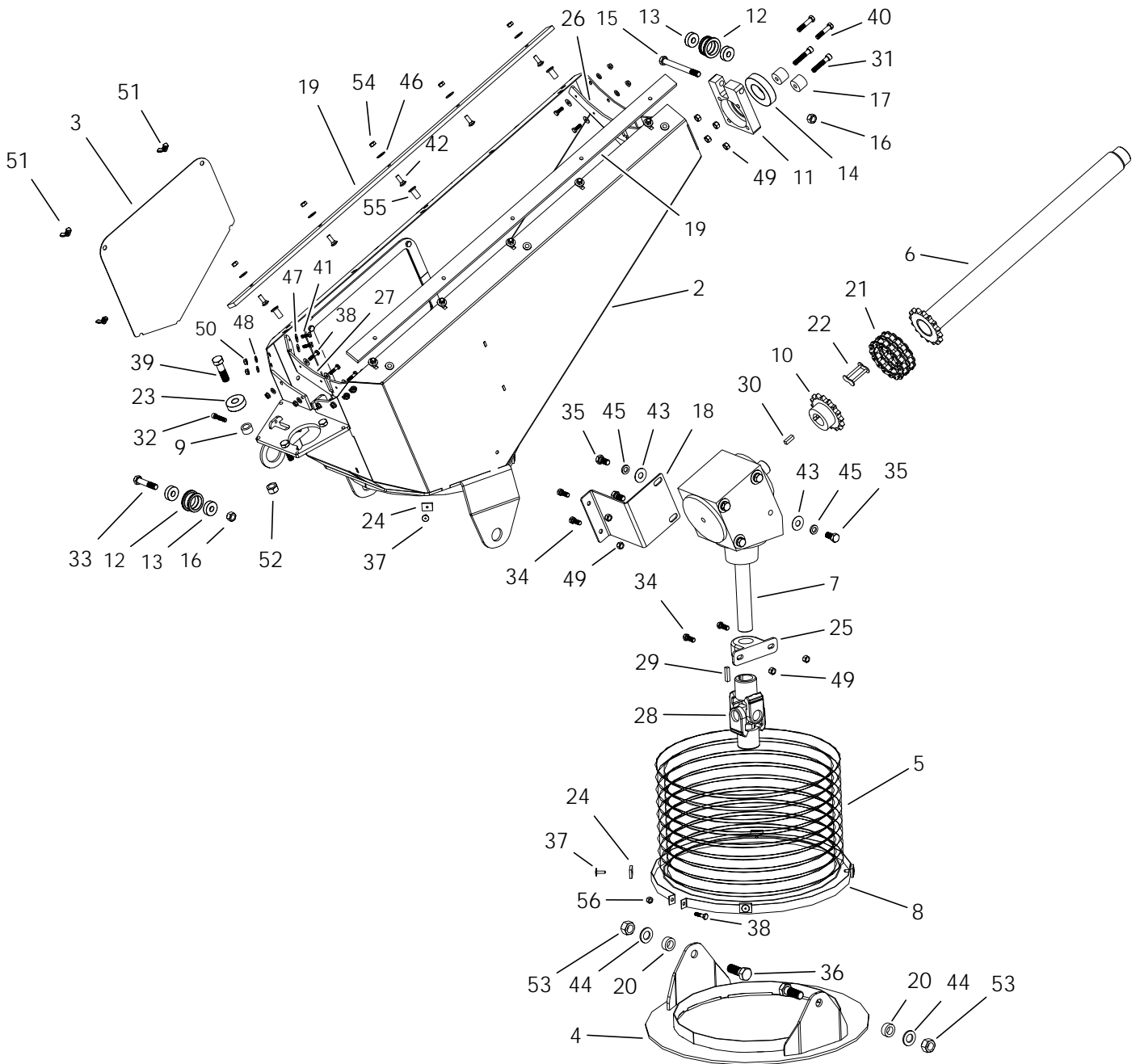


1

MKX-TEND COLLECTOR

ITEM	PART NO.	DESCRIPTION
1	10-22799	13" COLLECTOR ASSEMBLY, RODONO
2	10-22800	COLLECTOR BODY ONLY, RODONO
3	10-22831	COLLECTOR INSPECTION DOOR, RODONO
4	10-22827	SWING RING, RODONO
5	10-22934	CLEAR FLEX HOSE, 13" RODONO
6	10-22817	SPLINED TUBE, RODONO
7	10-22810	GEARBOX, 68DEG BEVEL RODONO
8	10-23098	COLLECTOR RING HOSE STRAP, RODONO
9	10-22807	SPACER, PINION ROLLER, RODONO
10	10-22813	SPROCKET W/STOP, 13" RODONO
11	10-22819	TRACK ROLLER ASSY, RODONO
12	10-22820	TRACK ROLLER W/BEARING, RODONO
13	10-22821	BEARING, 1621-2RS
14	10-22818	BEARING, 6209-2RS
15	9900564	BOLT, 1/2" X 5" GR5 PLTD
16	10-19599	LOCKNUT, 1/2" PLTD
17	10-22828	COLLECTOR STOP, RODONO
18	10-22858	GEARBOX Z BRACKET, RODONO
19	10-22928	COLLECTOR WEAR STRIP, RODONO
20	10-22932	BUSHING, 1-1/4" X 3/8", RODONO
21	10-17254	CHAIN, W130-51/71
22	10-17677	DOUBLE CHAIN CONNECTOR, #60
23	10-22804	BEARING, 6303-2RS
24	10-29252	DUCTING SECURE TAB
25	10-22825	RODONO WOOD BEARING ASSEMBLY
26	10-22829	CHAIN BOX SIDE SHIELD
27	10-22830	PINION SIDE SHIELD
28	10-22868	SPLINED U-JOINT (BLACK), 222-27502
29	10-22984	SQUARE KEY, 5/16 X 1-3/8
30	10-22985	SQUARE KEY, 5/16 X 1
31	10-22956	SOCKET HEAD CAP SCREW, 3/8" X 2 GR5
32	10-22980	SOCKET HEAD CAP SCREW, 5/16 X 1-1/2 GR5
33	10-17403	BOLT, 1/2" X 2-1/2" GR5 PLTD
34	10-18955	BOLT, 3/8" X 1" GR5 PLTD
35	10-19231	BOLT, 1/2" X 1" GR5 PLTD
36	10-19592	BOLT, 3/4" X 2" GR8 PLTD
37	10-18185	LARGE FLANGE RIVET
38	10-19988	BOLT, 1/4" X 1" GR2 PLTD
39	10-27589	BOLT, 5/8" X 2-1/2" GR8 PLTD
40	10-28450	BOLT, 3/8" X 1-3/4" GR5 PLTD
41	9900800	BOLT, 1/4" X 3/4" GR5 PLTD
42	10-23097	CARRIAGE BOLT, 5/16" X 1" GR5 PLTD
43	10-17401	FLAT WASHER, 1/2" PLTD
44	10-18948	RIM WASHER, 3/4" PLTD
45	10-19605	LOCK WASHER, 1/2" PLTD
46	10-27336	FLAT WASHER, 5/16" PLTD
47	9900683	FLAT WASHER, 1/4" PLTD
48	9900783	LOCKWASHER, 1/4" PLTD
49	10-17402	3/8" NC NYLON LOCKNUT PLTD
50	10-19594	WHIZNUT, 1/4" PLTD

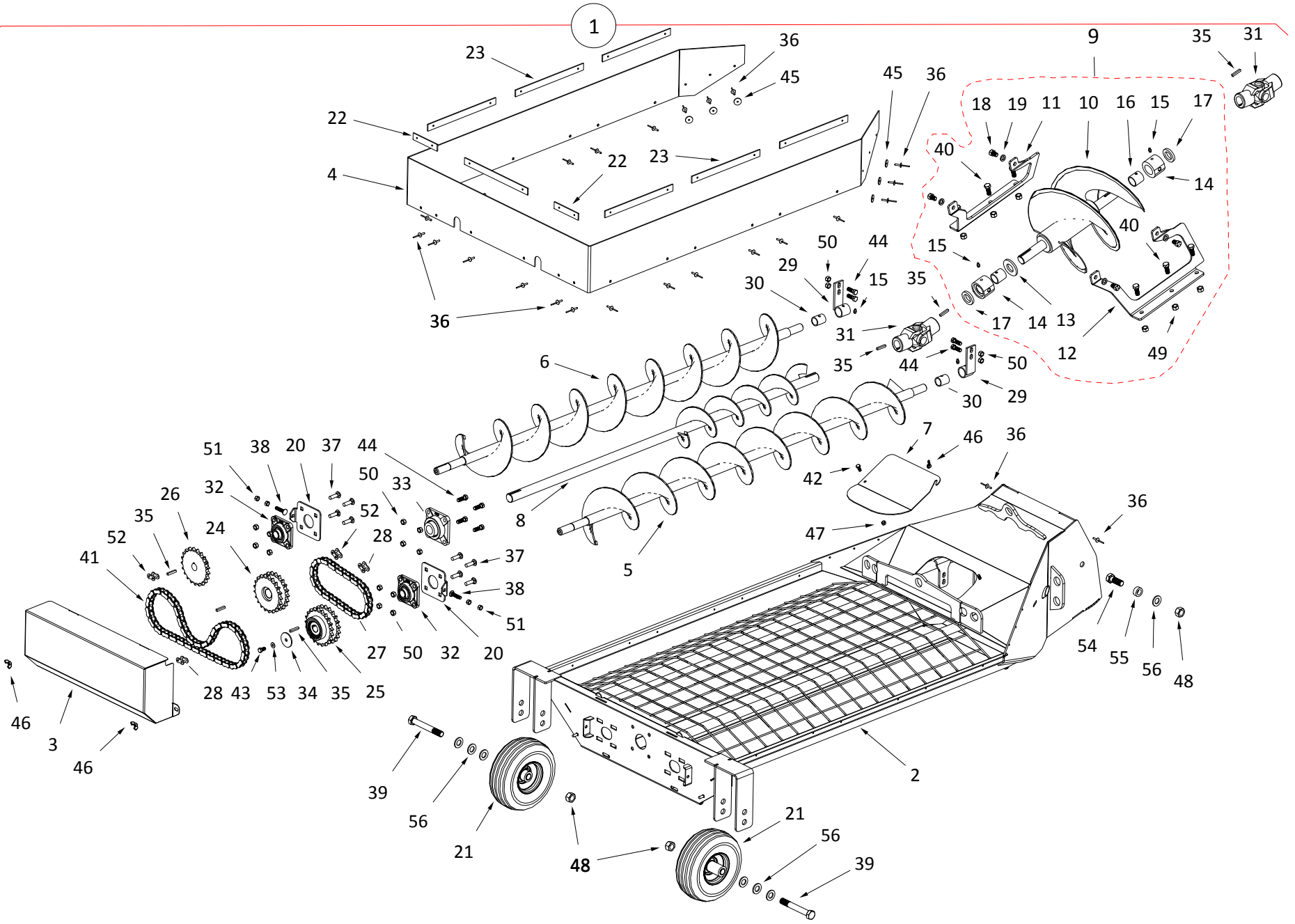
MKX-TEND COLLECTOR



1

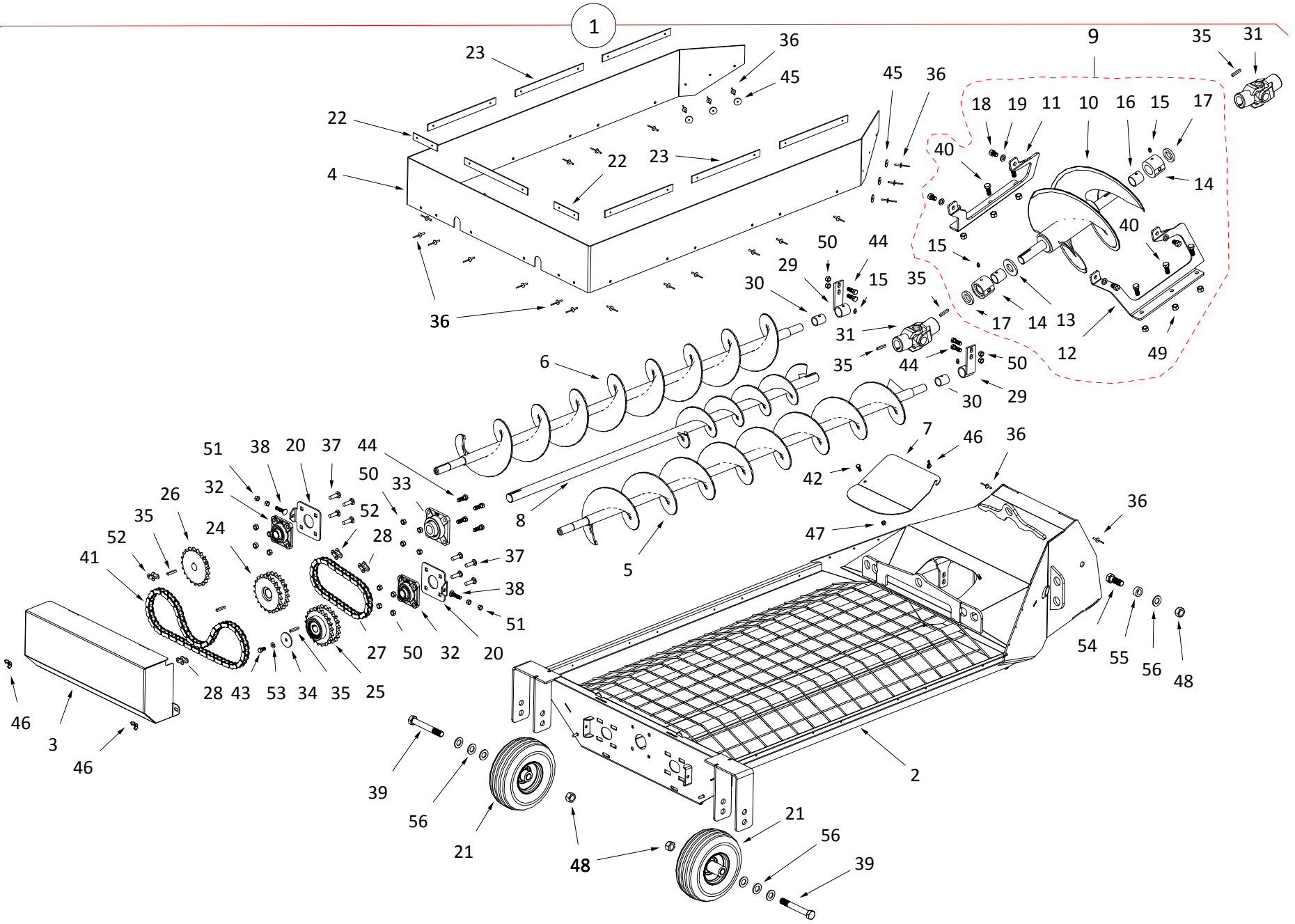
MKX-TEND COLLECTOR

ITEM	PART NO.	DESCRIPTION
51	10-22938	WING NUT, 5/16" PLTD
52	10-19600	LOCKNUT, 5/8" PLTD
53	10-19601	LOCKNUT, 3/4" PLTD
54	10-19980	LOCKNUT, 5/16" PLTD
55	10-22550	RIVNUT, 3/8"
56	10-28449	LOCKNUT, 1/4"



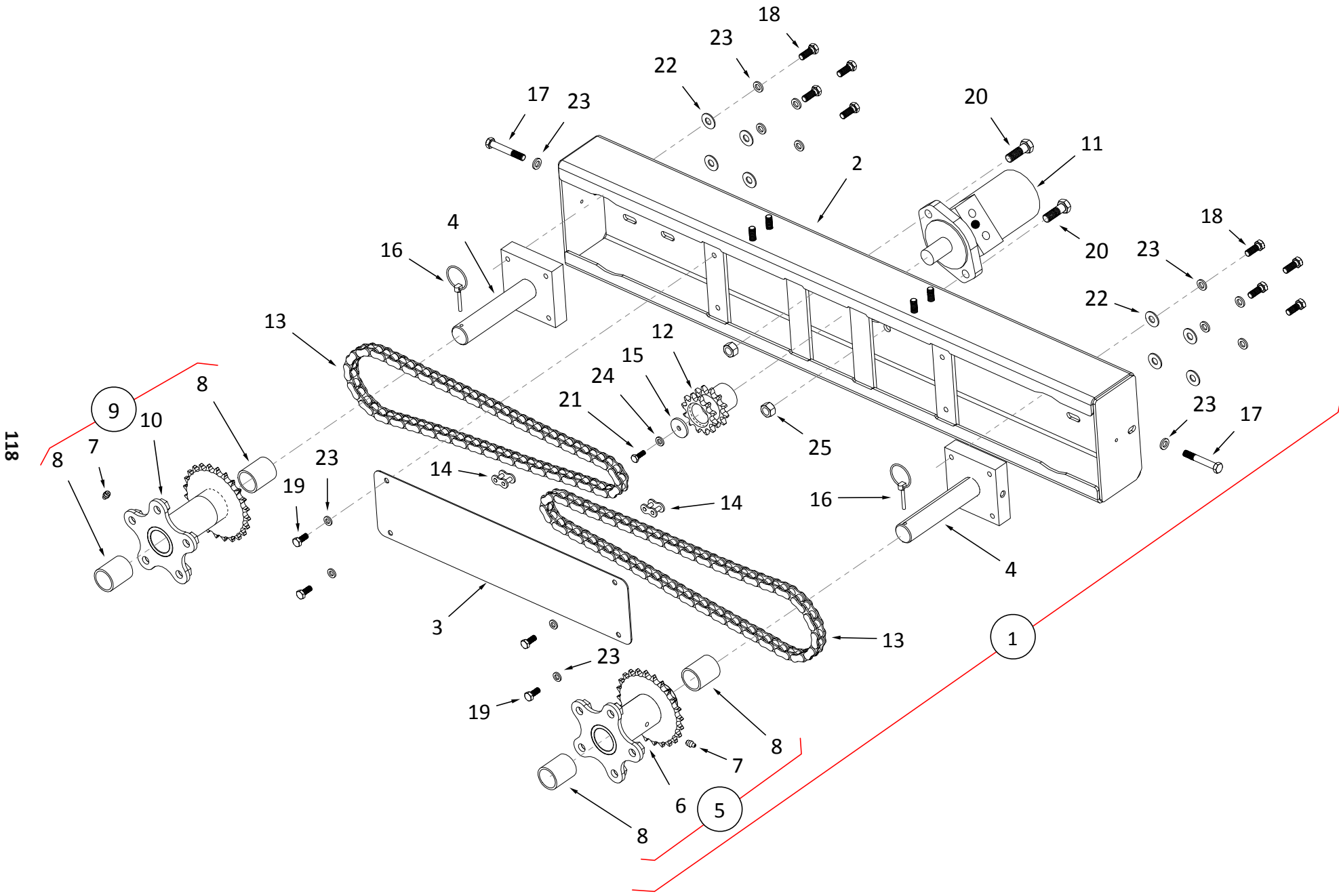
MKX-TEND HOPPER

ITEM	PART NO.	DESCRIPTION
1	10-22748	X-TEND HOPPER ASSY, 13"
2	10-22749	HOPPER ONLY, 13" RODONO
3	10-22751	CHAIN GUARD, HOPPER, 13" RODONO
4	10-22752	RUBBER BELTING, HOPPER, 13" RODONO
5	10-22754	13" HOPPER FLIGHT, RH, RODONO
6	10-22755	13" HOPPER FLIGHT, LH, RODONO
7	10-22756	TRANS INSPECTION COVER, 13" RODONO
8	10-22757	JACKSHAFT FLIGHT, HOPPER, RODONO
9	10-22765	TRANS FLIGHT ASSEMBLY, 13" RODONO
10	10-22772	TRANSITION FLIGHT, RODONO
11	10-22769	TRANS BUSHING MOUNT, LH, 13" RODONO
12	10-22770	TRANS BUSHING MOUNT, RH, 13" RODONO
13	10-22771	TRANS THRUST WASHER, RODONO
14	10-22766	TRANS BUSHING ASSEMBLY, 13" RODONO
15	10-19222	GREASE ZERK, 1/4" #28
16	10-22768	P285 - 12 POROUS BRONZE BUSHING
17	10-18403	GEARBOX SEAL
18	10-22936	BOLT, 1/2" X 3/4" GR5 PLTD
19	10-19605	LOCK WASHER, 1/2" PLTD
20	10-22782	BEARING TENSIONER PLATE, RODONO
21	10-17522	LOW PRO HOPPER WHEEL
22	10-22049	4-3/4 BELTING ATTACH STRAP
23	10-22051	12-1/2 BELTING ATTACH STRAP
24	10-22785	DOUBLE DRIVE SPROCKET, 13" RODONO
25	10-22780	RODONO IDLER SPROCKET
26	10-22786	SPROCKET, 60B21 X 1
27	10-23044	CHAIN, #60-37P W/ CONN & HALF LINK
28	10-19433	#60 CONNECTOR LINK
29	10-22753	BUSHING, HOPPER, 13" RODONO
30	10-19149	1" BUSHING
31	10-22790	SPLINED U-JOINT (BLACK)
32	10-22787	BEARING, FHF205-16G
33	10-22788	BEARING, FHF206-20G
34	10-22797	IDLER SPROCKET WASHER, RODONO
35	10-19606	KEY, 1/4" X 1-1/2" SQ
36	10-20399	3/16" X 5/8" GRIP RIVET
37	10-22941	CARRIAGE BOLT, 7/16" X 1-1/4" GR5 PLTD
38	10-22937	CARRIAGE BOLT, 3/8" X 1-3/4" GR5 PLTD
39	10-29997	BOLT, 3/4" X 5-1/2" GR8 PLTD
40	10-19588	BOLT, 1/2" X 1-1/4" GR5 PLTD
41	10-23043	CHAIN, #60-59P W/ CONN & HALF LINK
42	10-19538	BOLT, 5/16" X 3/4" GR2 PLTD
43	10-19540	BOLT, 3/8" X 3/4" GR5 PLTD
44	10-18698	BOLT, 7/16" X 1-1/4" GR8 PLTD
45	10-18186	RIVET WASHER, 3/16" X 1" PLTD
46	10-22938	WING NUT, 5/16" PLTD
47	10-19980	LOCKNUT, 5/16" PLTD
48	10-19601	LOCKNUT, 3/4" PLTD
49	10-19599	LOCKNUT, 1/2" PLTD
50	10-19598	LOCKNUT, 7/16" PLTD



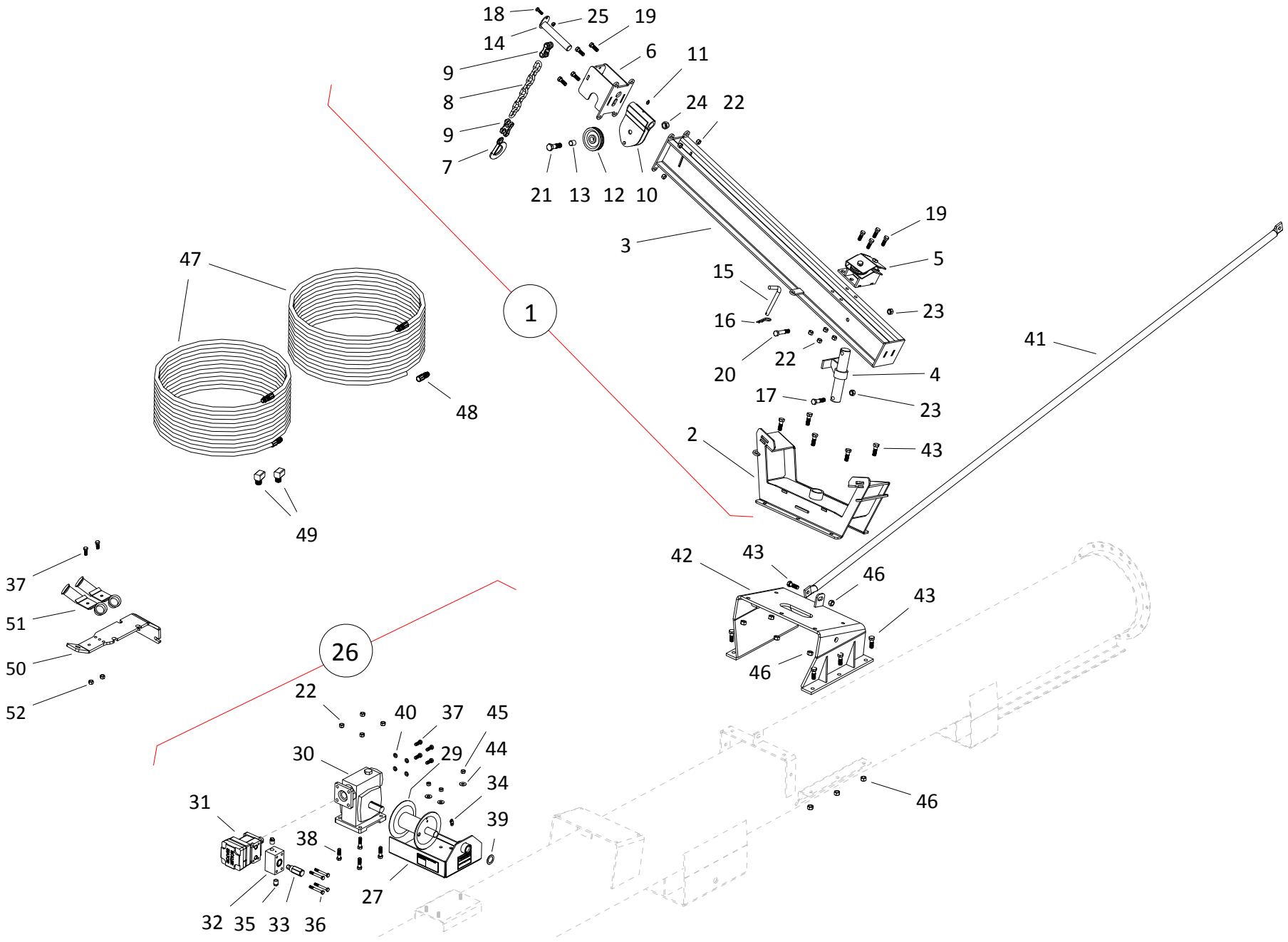
MKX-TEND HOPPER

ITEM	PART NO.	DESCRIPTION
51	10-17754	HEX NUT, 3/8" PLAIN
52	10-29526	#60 OFFSET LINK
53	10-19604	3/8" LOCK WASHER PLTD
54	10-19592	3/4" X 2" NC BOLT GR 8 PLTD
55	10-22932	BUSHING, 1-1/4" X 3/8", RODONO
56	10-18948	3/4" RIM WASHER PLTD



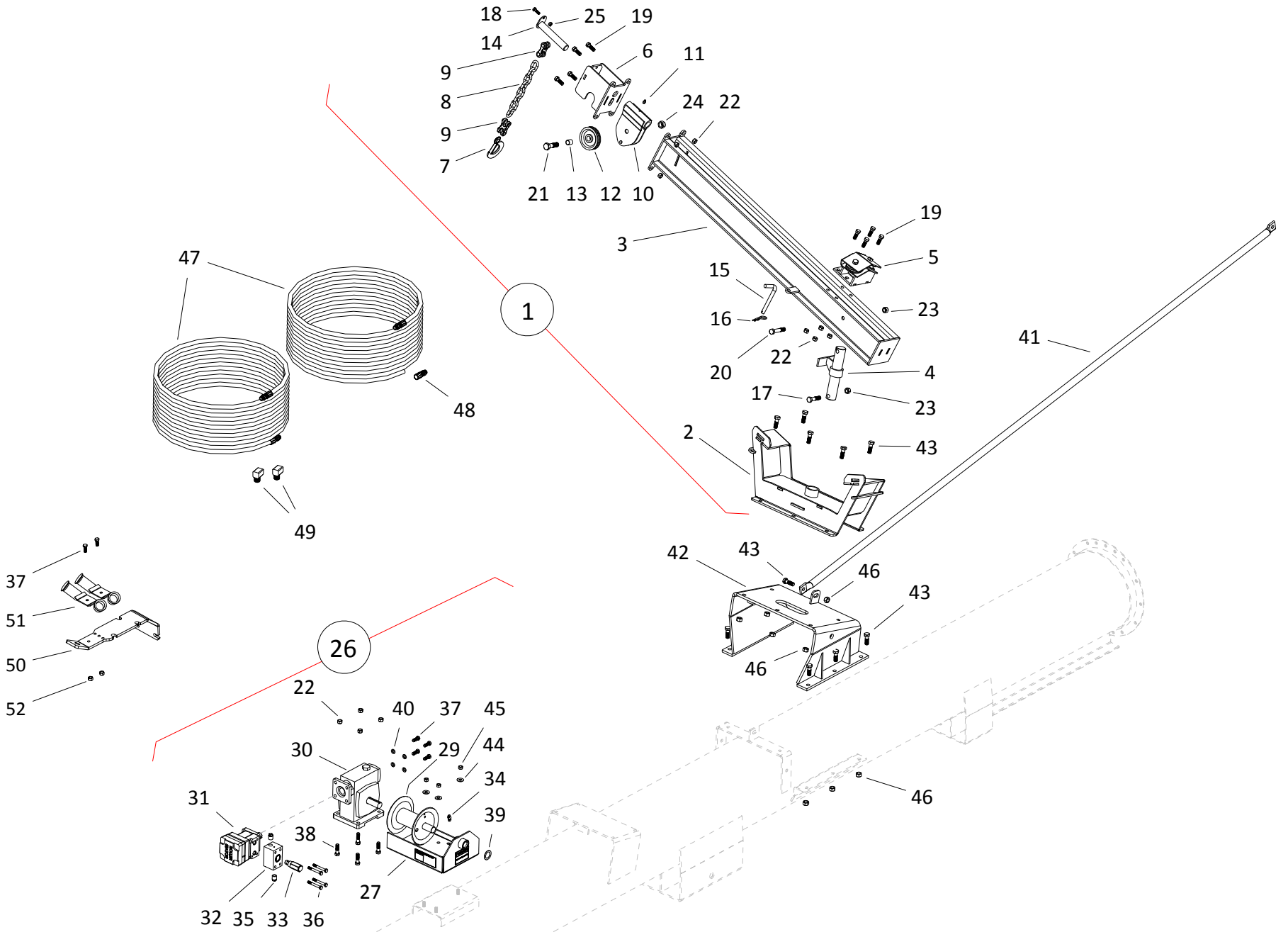
MKX-TEND POWER SWING

ITEM	PART NO.	DESCRIPTION
1	10-22905	POWERSWING ASSY, 13" RODONO
2	10-22903	POWERSWING, 13" RODONO
3	10-22943	PS FRONT STIFFENER, 13" RODONO
4	10-22904	POWERSWING SPINDLE, 13" RODONO
5	10-22915	POWERSWING HUB ASSY, LH, 13" RODONO
6	10-22914	POWERSWING HUB, LH, 13" RODONO
7	10-19222	GREASE ZERK, 1/4" #28
8	10-19776	BUSHING, 1-1/4"
9	10-22916	POWERSWING HUB ASSY, 13" RODONO
10	10-22917	POWERSWING HUB, 13" RODONO
11	10-22869	HYDRAULIC MOTOR
12	10-22919	PS DRIVE SPROCKET, 13" RODONO
13	10-23042	CHAIN, #50-73P W/ CONNECTOR LINK
14	10-19134	CONNECTOR LINK, #50
15	10-22918	WASHER, 5/16" ID X 1-1/4" OD
16	10-29998	LYNCH PIN 3/16 X 1-1/4 Y.ZINC PLTD
17	10-18699	BOLT, 3/8" X 2-1/2" GR5 PLTD
18	10-18955	BOLT, 3/8" X 1" GR5 PLTD
19	10-19540	3/8" X 3/4" NC BOLT GR 5 PLTD
20	10-19589	BOLT, 1/2" X 1-1/2" GR 8 PLTD
21	9900800	BOLT, 1/4" X 3/4" GR5 PLTD
22	10-17392	FLAT WASHER, 3/8" PLTD
23	10-19604	LOCK WASHER, 3/8" PLTD
24	9900783	LOCKWASHER, 1/4" PLTD
25	10-19599	LOCKNUT, 1/2" PLTD



MKX-TEND PARTS

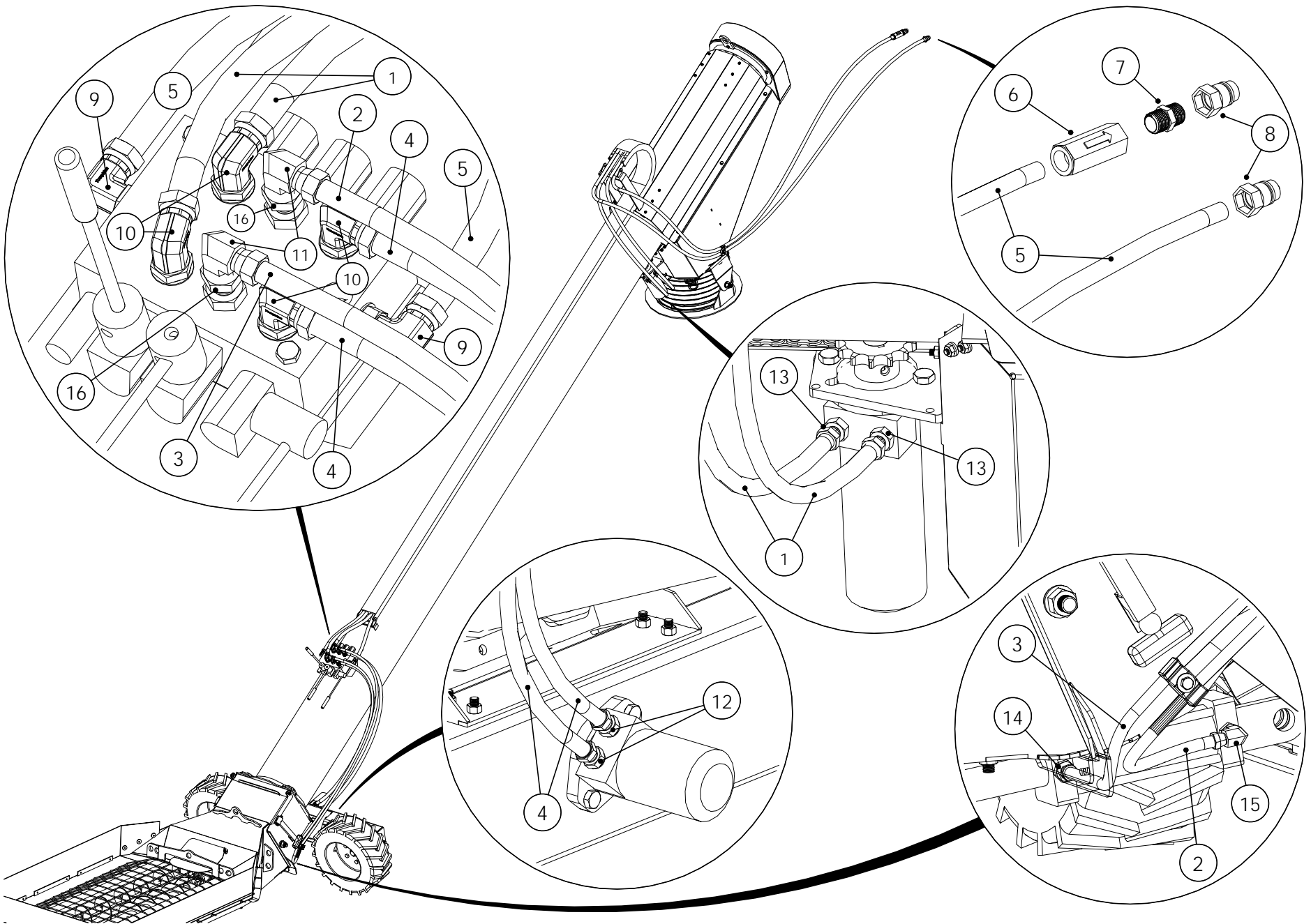
ITEM	PART NO.	DESCRIPTION
1	10-22982	MKX/X16 LIFT ARM ASSY, 2017
2	10-20664	LIFT ARM BASE
3	10-22989	LIFT ARM ONLY, 2017
4	10-20667	LIFT ARM SWIVEL
5	10-20668	LIFT ARM PULLEY GUIDE
6	10-22984	LIFT ARM, CABLE PULLEY SUPPORT
7	10-28997	1/2T EYE HOIST HOOK W/ LATCH
8	10-22793	5/16 GRADE 30 CHAIN X 11 LINK, PLTD
9	10-20083	5/16" MID LINK
10	10-22983	LIFT ARM SLEEVE ASSY, 2017
11	10-19222	GREASE ZERK, 1/4" #28
12	10-22987	LIFT ARM PULLEY ASSEMBLY, 2017
13	10-22988	LIFT ARM PULLEY BUSHING, 2017
14	10-22990	LIFT ARM PULLEY PIN
15	10-19648	SADDLE PIN
16	10-19463	SNAP PIN
17	9900560	BOLT, 1/2" X 2-1/4" GR5 PLTD
18	10-17125	BOLT, 5/16" X 1" GR8 PLTD
19	10-18698	BOLT, 7/16" X 1-1/4" GR8 PLTD
20	10-19798	BOLT, 1/2" X 2-3/4" GR8 PLTD
21	10-29251	5/8" X 2-3/4" NC BOLT GR 8 PLTD
22	10-19598	7/16" NC NYLON LOCKNUT GR 2 PLTD
23	10-19599	LOCKNUT, 1/2" PLTD
24	10-19600	LOCKNUT, 5/8" PLTD
25	10-19980	LOCKNUT, 5/16" PLTD
26	10-17634	HYDRAULIC WINCH ASSEMBLY, RED
27	10-17628	HYD WINCH FRAME ASSM (14096) RED
29	10-17629	HYD WINCH DRUM (14080) RED
30	10-17625	HYDRAULIC WINCH GEARBOX
31	10-17626	HYDRAULIC MOTOR
32	10-28221	HYD MOTOR BYPASS VALVE 0700023
33	10-28222	RELIEF VALVE 0700024
34	10-18496	WINCH KEEPER KIT
35	0308013	3/8 NPT PLASTIC PLUG
36	10-17631	BOLT, 5/16" X 2-1/2" GR2 PLTD
37	10-18955	BOLT, 3/8" X 1" GR5 PLTD
38	10-28744	BOLT, 7/16" X 1-1/2" GR5 PLTD
39	10-18097	RIM WASHER, 1" PLTD
40	10-19604	LOCK WASHER, 3/8" PLTD
41	10-21489	TRUSS CROSSBRACE, RED, MKX GULP
42	10-21769	13" BOLT ON LIFT ARM MOUNT, GULP
43	10-19589	BOLT, 1/2" X 1-1/2" GR 8 PLTD
44	10-17392	FLAT WASHER, 3/8" PLTD
45	10-17402	3/8" NC NYLON LOCKNUT PLTD
46	10-19599	LOCKNUT, 1/2" PLTD
47	10-22611	HYDRAULIC HOSE, 3/8" X 215"
48	9900047	PIONEER COUPLER
49	10-28478	STEEL ELBOW, 1/2 MNPT X 1/2 FNPSM
50	10-20043	PTO/VALVE BRACKET
51	10-17467	DOUBLE HOSE HOLDER



MKX-TEND PARTS

ITEM	PART NO.	DESCRIPTION
52	10-19596	3/8" NC SERRATED FLANGE NUT PLTD

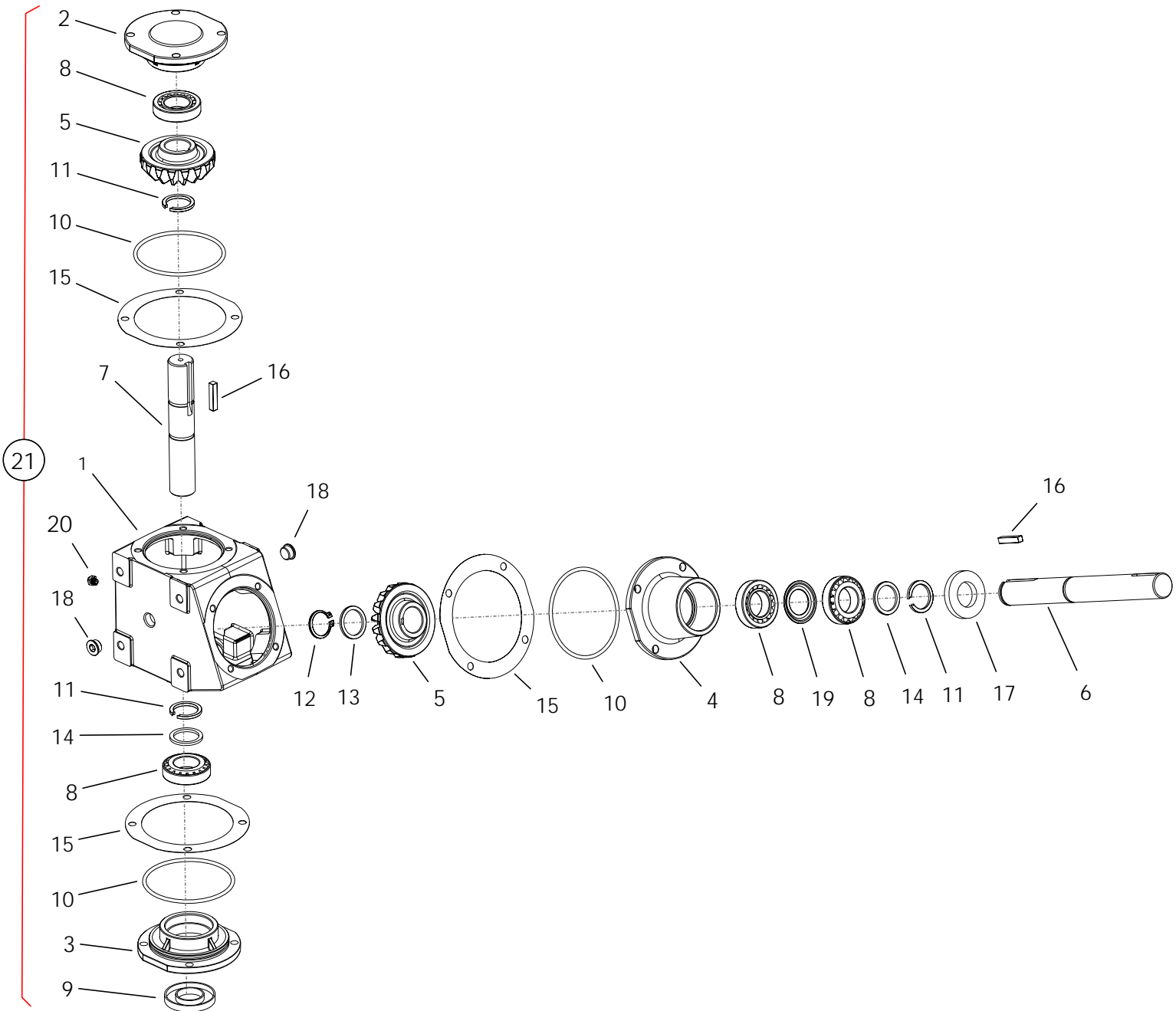
MKX-TEND HYDRAULIC LINES



MKX-TEND HYDRAULIC LINES

ITEM	PART NO.	DESCRIPTION
1	10-22971	HYDRAULIC HOSE, 3/8" X 202"
2	10-22972	HYDRAULIC HOSE, 1/4" X 79"
3	10-22973	HYDRAULIC HOSE, 1/4" X 71"
4	10-28228	HYDRAULIC HOSE, 3/8" X 48"
5	10-28737	HYDRAULIC HOSE, 3/8" X 347"
6	10-22147	CHECK VALVE, 1/2"FNPT X 1/2"FNPT
7	10-28479	STEEL NIPPLE, 1/2NPT
8	9900047	Pioneer Coupler
9	10-22558	STEEL ELBOW, 8MORB X 6 FNPSM
10	10-22191	STEEL ELBOW, 6MORB X 3/8"NPSM
11	10-22976	STEEL ELBOW, 3/8 MNPT X 1/4 FNPSM
12	10-22975	FTG,STL,1/2MNPT X 3/8NSPM
13	10-22974	FTG,STL,10MORB X 3/8NSPM
14	10-22981	FTG,STL,#8MORB X 1/4NSPM
15	10-22977	STEEL ELBOW, #8MORB X 1/4 FNPSM
16	10-23078	STRAIGHT FITTING, 6MORB X 3/8 FNPSM

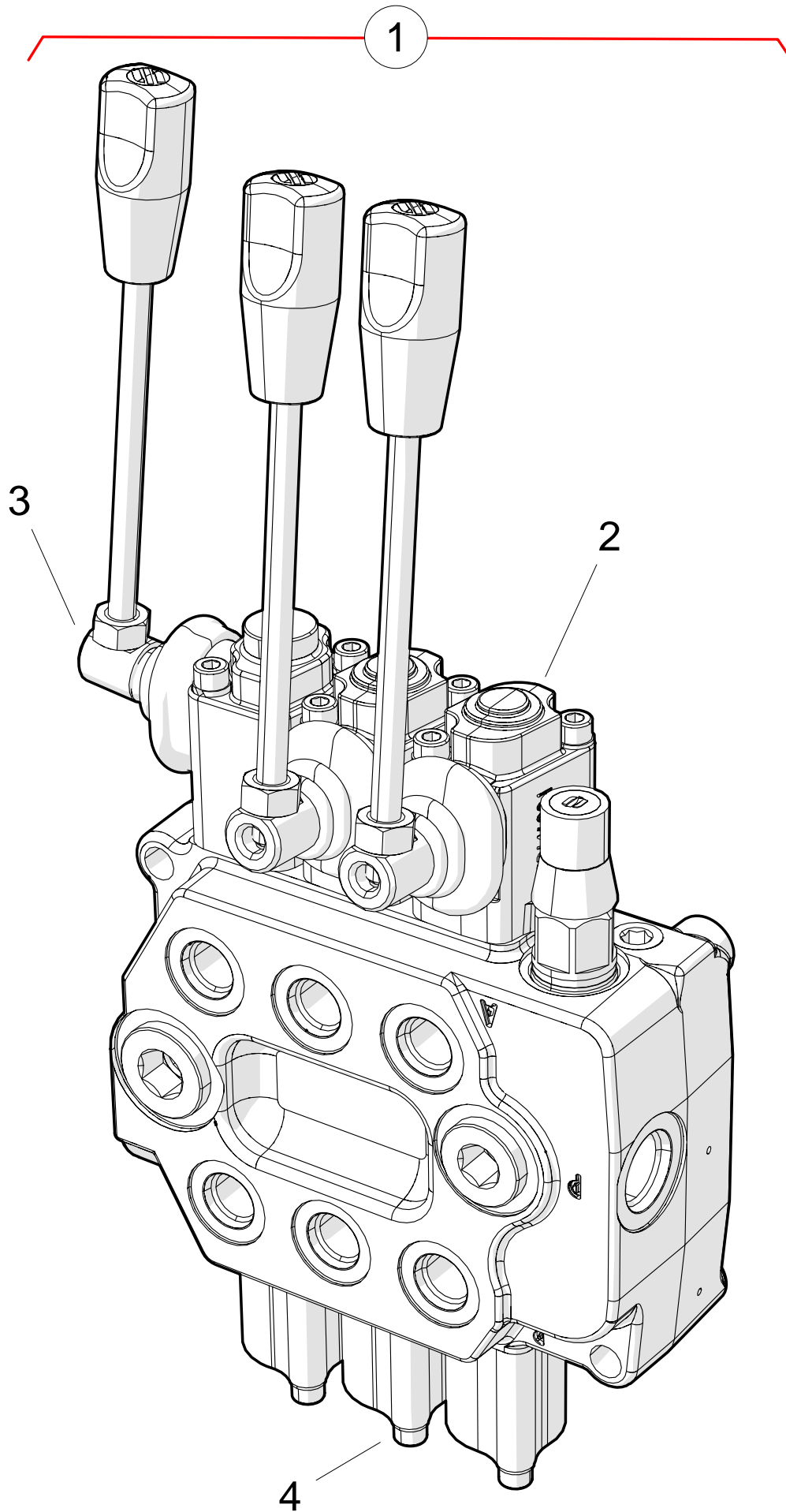
MKX-TEND GEARBOX



MKX-TEND GEARBOX

ITEM	PART NO.	DESCRIPTION
1	10-27690	Housing
2	10-27695	end cap
3	10-23106	END CAP
4	10-23107	QUILL
5	10-23108	GEAR, DP4.23, TEETH 17 (1.375ID)
6	10-23109	QUILL SHAFT
7	10-23110	CROSS SHAFT
8	10-23111	BEARING CONE, LM48548
8A	10-23112	BEARING CUP, LM48510
9	10-23113	SEAL, 1.374X2.374X0.374
10	10-27701	O-RING, 105 X 3.1MM
11	10-23114	RETAINER RING, 35X4
12	10-23115	SNAP RING, 35X2.5
13	10-27696	SHIM
14	10-23116	SPACER (1.386 ID)
15	10-27698	gasket
16	10-27700	SQUARE KEY, 5/16" X 1-1/2"
17	10-23117	SEAL, 1.374X2.563X0.374
18	10-28296	3/8" SOLID GEARBOX PLUG
19	10-23118	GREASE WASHER
20	10-23119	RELIEF PLUG, 1/8" NPT
21	10-22810	GEARBOX, 68DEG BEVEL

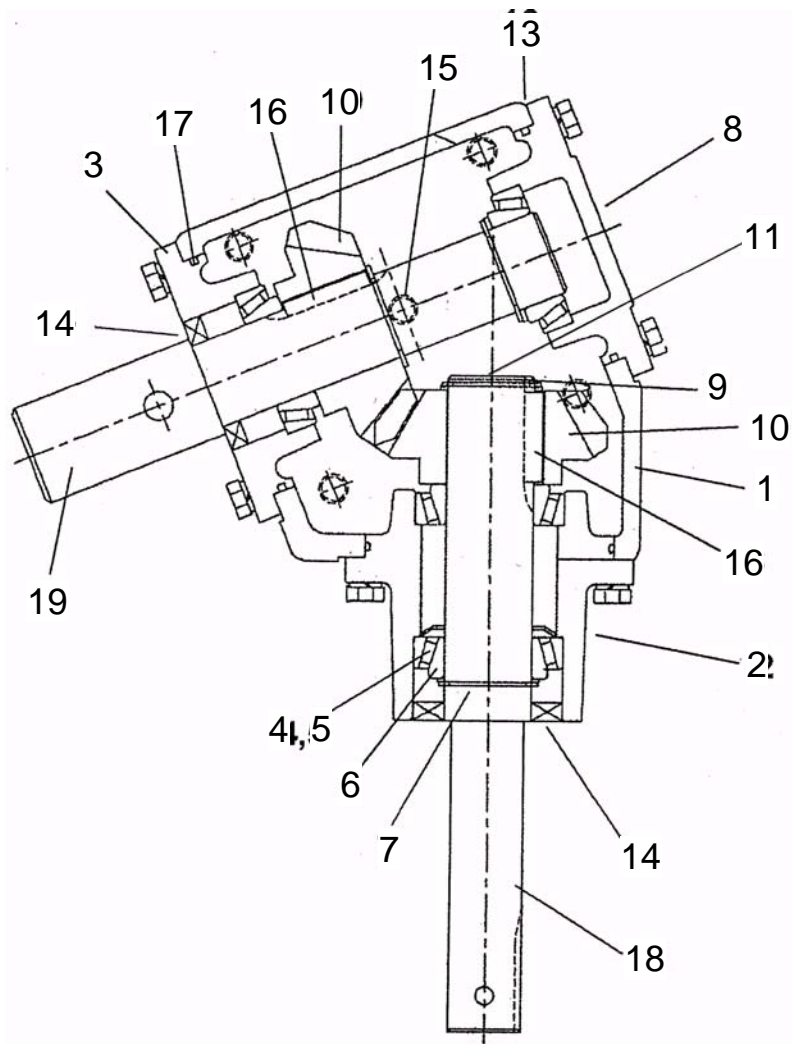
VALVE (22839)



VALVE (22839)

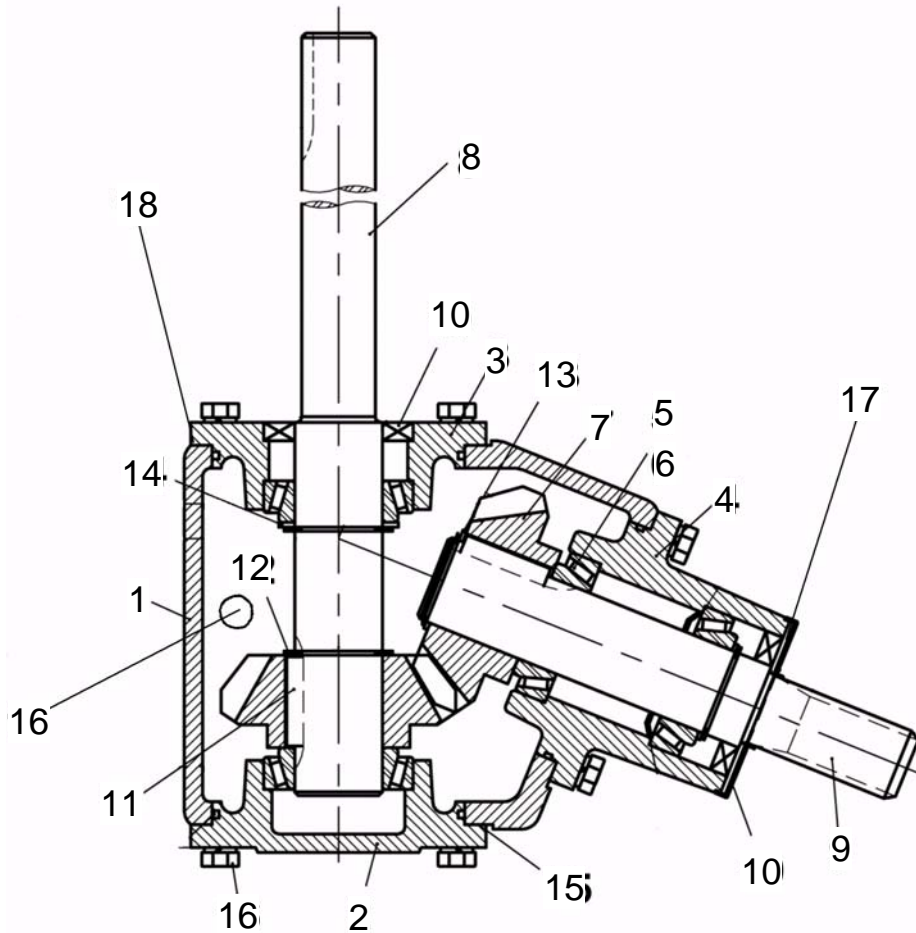
ITEM	PART NO.	DESCRIPTION
1	10-22839	3 SPOOL VALVE
2	10-20401	SALAMI LEVER BOX KIT
3	10-23725	LEVER BOX 90 DEG
4	10-23726	SPOOL SPRING RETURN KIT

MKX130 UPPER GEARBOX (27560)



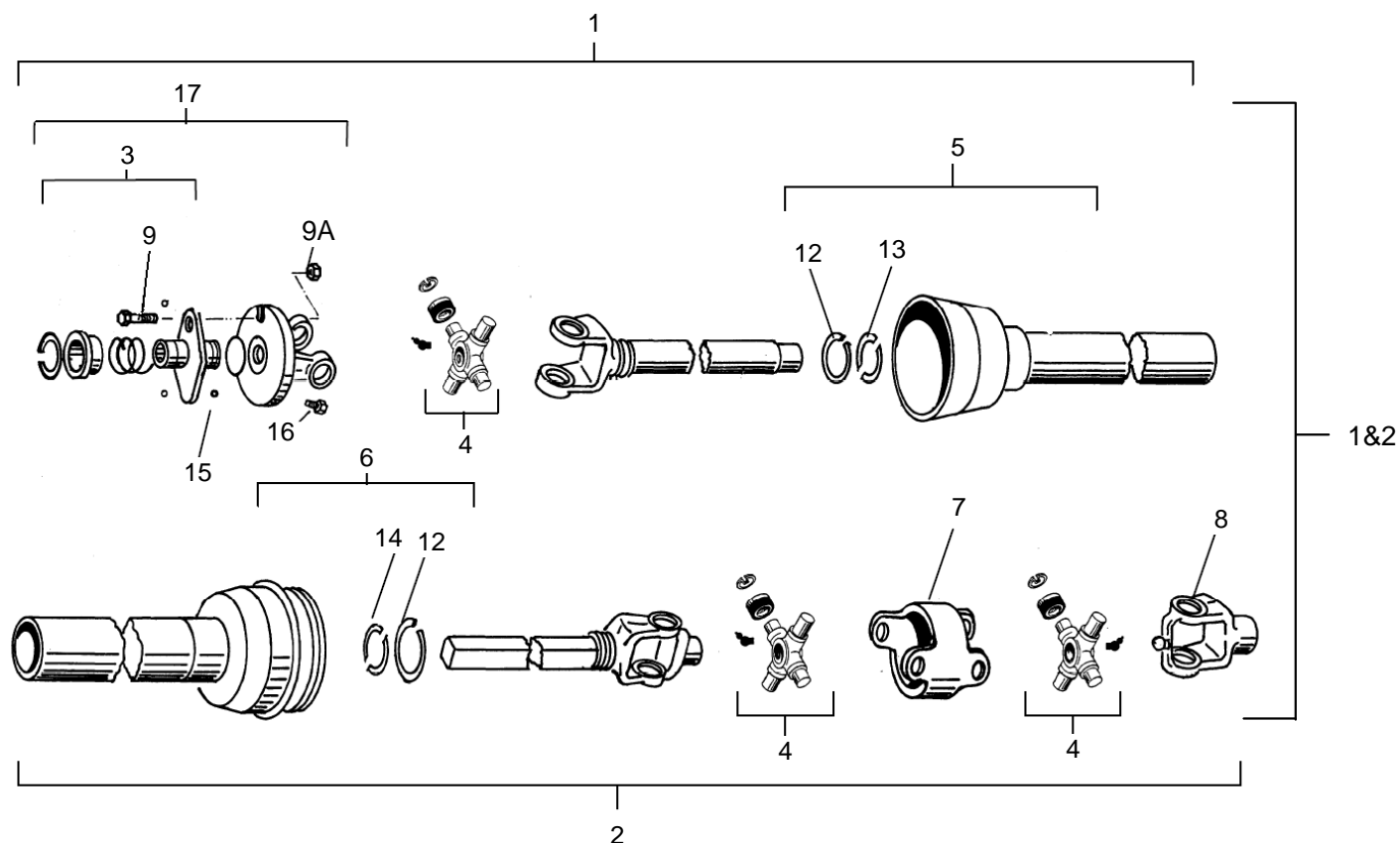
ITEM	PART NO.	DESCRIPTION
1	10-27690	Housing
2	10-27691	Quill
3	10-27692	End cap
4	10-17008	cup Timken #LM 29710
5	10-27693	Bearing cup #LM 29748
6	10-27694	Spacer
7	10-27789	RETAINER Ring
8	10-27695	End Cap
9	10-27696	Shim
10	10-27697	Gear
11	10-27708	SNAP RING
13	10-27698	Shim
14	10-27699	Seal, 38.1 x 65.1 x 8
15	10-28296	3/8" Solid Gearbox Plug
16	10-27700	SQUARE KEY, 5/16" X 1-1/2"
17	10-27701	O-Ring, 105 x 3.1mm
18	10-27703	Pinion shaft
19	10-27705	Cross shaft

MKX130 LOWER GEARBOX (29085)



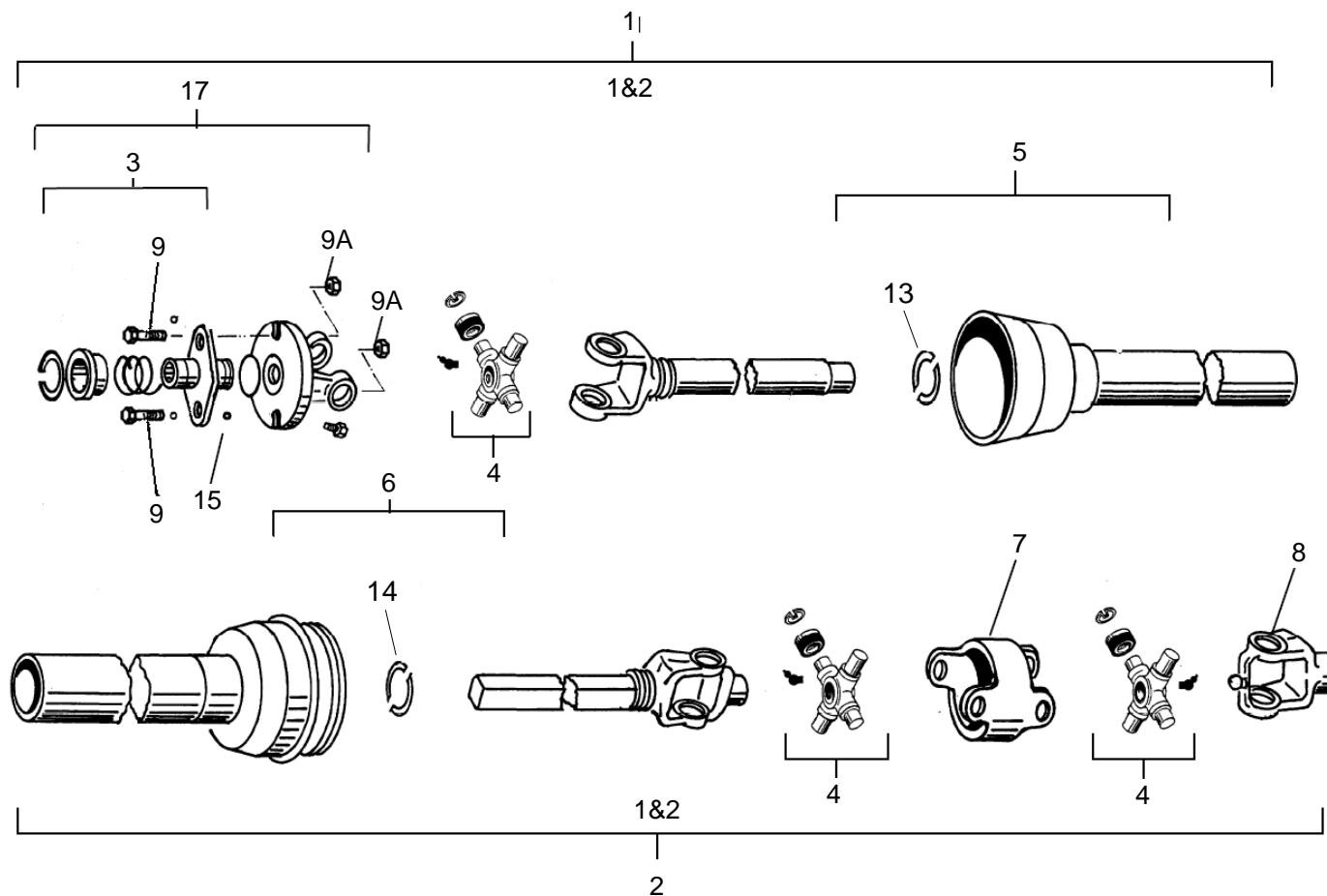
ITEM	PART NO.	DESCRIPTION
1	10-27690	Housing
2	10-27695	end cap
3	10-27692	end cap
4	10-27691	quill
5	10-27693	bearing cup #1m29748
6	10-17008	cup TIMKEN #1m29710
7	10-27697	gear, dp 4.23 teeth 17
8	10-29281	shaft cross gearbox (long)
9	10-27704	Pinion Shaft
10	10-27699	Seal, (38.1 x 65.1 x 8)
11	10-27700	square key, 5/16" x 1-1/2"
12	10-27789	RETAINER ring
13	10-27696	SHIM
14	10-27708	SNAP RING
15	10-27698	Shim
16	10-28296	3/8" Solid Gearbox Plug
17	10-27702	shield
18	10-27701	O-RING, 105 x 3.1 mm

MKX130-64 & 74, CONSTANT VELOCITY PTO SHAFT (WEASLER)

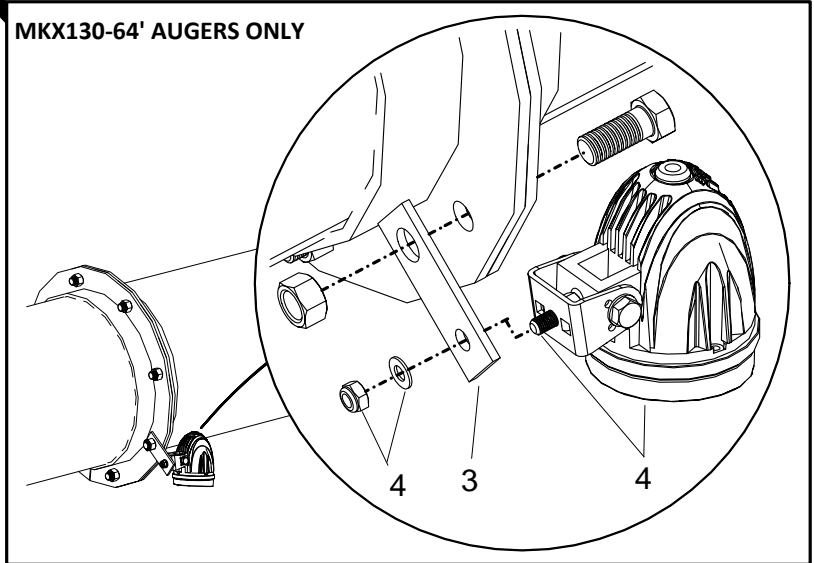
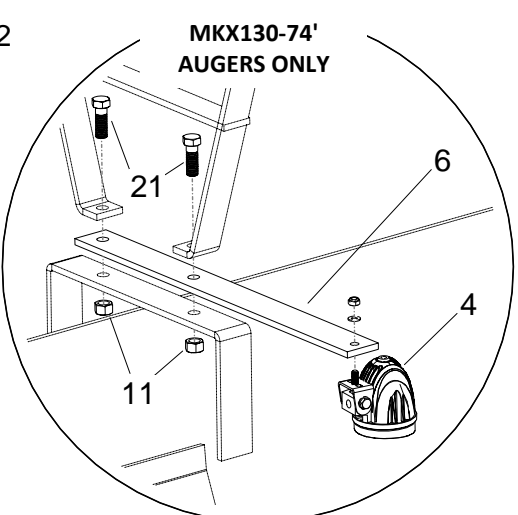
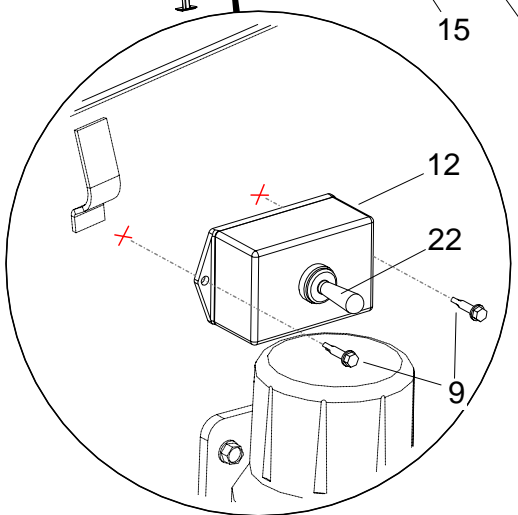
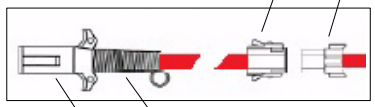
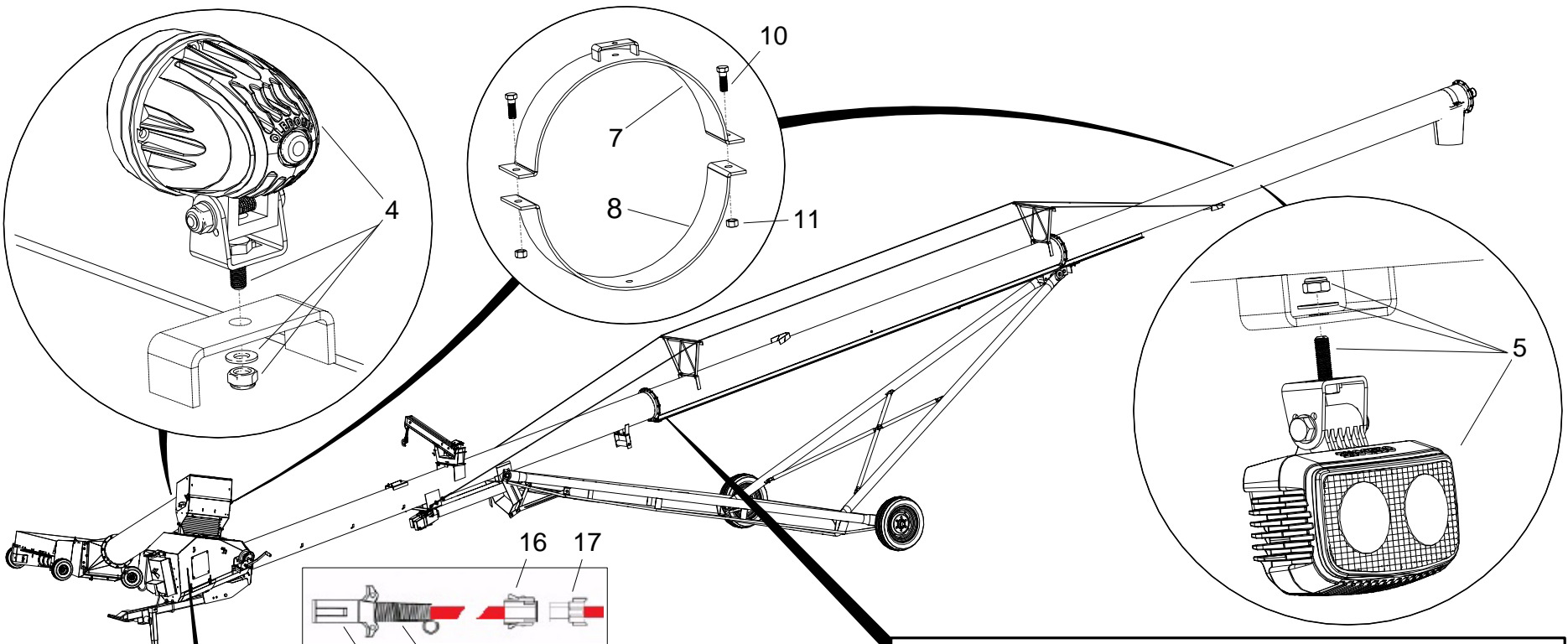


ITEM	PART NO.	DESCRIPTION
1	10-18268	1/2 PTO shaft, tractor end
1&2	10-18455	Complete PTO shaft
2	10-18269	1/2 PTO shaft, implement end
3	10-18270	Spring lock repair kit
4	10-18271	Universal joint repair kit
5	10-18272	PLASTIC SHIELD C/W REFERENCE NO. 12&13, TRACTOR END
6	10-18273	PLASTIC SHIELD C/W REFERENCE NO. 12&14, IMPLEMENT END
7	10-18274	CV CENTER HOUSING
8	10-18358	End yoke
9	10-18454	3/8" X 1" GR8 BOLT
9A	10-18956	3/8" 2-WAY LOCKNUT
12	10-18467	RETAINER RING
13	10-18468	NYLON BEARING
14	10-18441	Nylon bearing
15	10-18470	Ball bearing kit
16	10-19995	BOLT, 3/8" - 16 X 1/2", GR5
17	10-18440	SHEAR ASSEMBLY

MKX130-84, 94 & 114 CONSTANT VELOCITY PTO SHAFT (WEASLER)



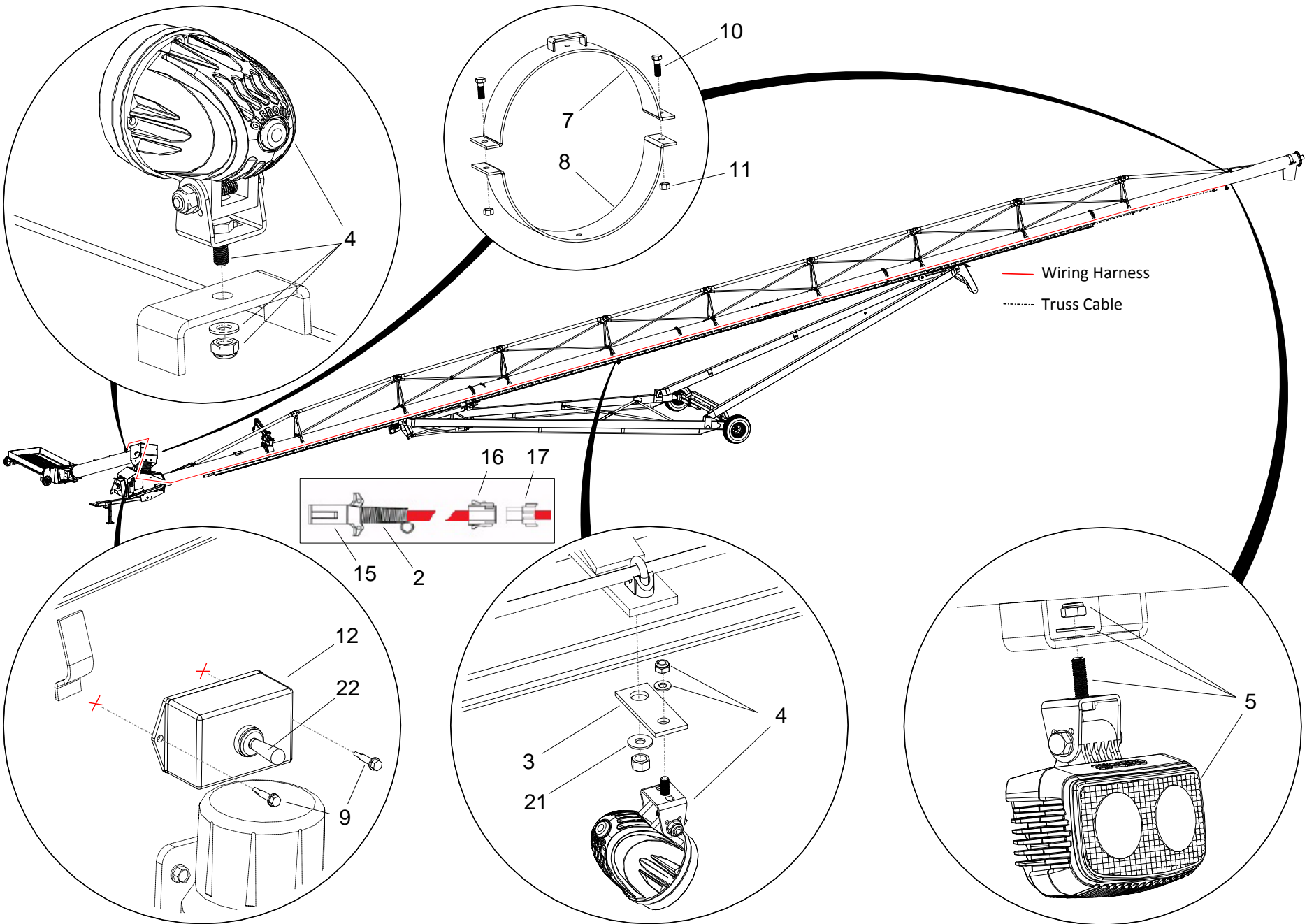
ITEM	PART NO.	DESCRIPTION
1&2	10-29140	COMPLETE 2-BOLT SHEAR 55E CV DRIVELINE
1	10-29247	1/2 PTO SHAFT, TRACTOR END
2	10-17545	1/2 PTO shaft, implement end
3	10-17546	Spring lock repair kit
4	10-17547	Universal joint repair kit
5	10-17548	PLASTIC SHIELD C/W REFERENCE NO. 12&13, TRACTOR END
6	10-17549	PLASTIC SHIELD C/W REFERENCE NO. 12&14, IMPLEMENT END
7	10-17550	CV centER housing
8	10-17551	End yoke
9	10-29246	3/8" X 1" GR8 SHEAR BOLT
9A	10-18956	3/8" 2-WAY LOCKNUT
13	10-21993	NYLON BEARING
14	10-21966	NYLON BEARING
15	10-18470	Ball bearing kit
16	10-19995	BOLT, 3/8" - 16 X 1/2", GR5
17	10-29245	2-BOLT SHEAR ASSEMBLY



WORK LIGHT KIT (MKX130-64 & 74)

ITEM	PART NO.	DESCRIPTION
1	10-22695	WORK LIGHT HARNESS, 64
1	10-22696	WORK LIGHT HARNESS, 74
2	10-22687	TRACTOR PLUG EXTENSION HARNESS
3	10-22286	TRANSPORT CHAIN LUG
4	10-22394	MINI FLOOD LAMP, LEDWD-1L10 (INCLUDES HARDWARE)
5	10-22395	FLOOD LAMP, LEDWD-2L20 (INCLUDES HARDWARE)
6	10-22969	LIGHT BRACKET, 1374
7	10-21537	GULP, HOSE CLAMP
8	10-18987	HALF CLAMP, 13"
9	10-22396	8-18 X 3/4" TEK SCREW
10	10-18698	BOLT, 7/16" X 1-1/4"
11	10-19598	LOCKNUT, 7/16"
12	10-22399	SWITCH BOX ONLY
13	10-22427	LEAD CONNECTOR, DEUTSCH DT06-2S (NOT SHOWN)
14	10-22446	BUSS AGC 20A FUSE (NOT SHOWN)
15	10-28665	7 PIN HIGHWAY TRACTOR CONNECTOR
16	10-23124	8 WAY PLUG, AT06-08SA
17	10-23125	8 WAY RECEPTACLE, AT04-08PA
18	10-23126	WEATHER PACK TOWER, 6 POS (NOT SHOWN)
19	10-23127	WEATHER PACK SHROUD, 6 POS (NOT SHOWN)
20	10-23128	DEUTSCH 2 WAY CAP, 1011-344-0205 (NOT SHOWN)
21	10-28744	BOLT, 7/16" X 1-1/2"
22	10-24355	WEATHERPROOF TOGGLE SWITCH
23	05-A349	MKX1364 WORK LIGHT KIT
23	05-A351	MKX1374 WORK LIGHT KIT

WORK LIGHT KIT (MKX130-84, 94 & 114)



WORK LIGHT KIT (MKX130-84, 94 & 114)

ITEM	PART NO.	DESCRIPTION
1	10-22700	WORK LIGHT HARNESS, 114
1	10-22698	WORK LIGHT HARNESS, 94
1	10-22697	WORK LIGHT HARNESS, 84
2	10-22687	TRACTOR PLUG EXTENSION HARNESS
3	10-22286	TRANSPORT CHAIN LUG
4	10-22394	MINI FLOOD LAMP, LEDWD-1L10 (INCLUDES HARDWARE)
5	10-22395	FLOOD LAMP, LEDWD-2L20 (INCLUDES HARDWARE)
7	10-21537	GULP, HOSE CLAMP
8	10-18987	HALF CLAMP, 13"
9	10-22396	8-18 X 3/4" TEK SCREW
10	10-18698	BOLT, 7/16" X 1-1/4"
11	10-19598	LOCKNUT, 7/16"
12	10-22399	SWITCH BOX ONLY
13	10-22427	LEAD CONNECTOR, DEUTSCH DT06-2S (NOT SHOWN)
14	10-22446	BUSS AGC 20A FUSE (NOT SHOWN)
15	10-28665	7 PIN HIGHWAY TRACTOR CONNECTOR
16	10-23124	8 WAY PLUG, AT06-08SA
17	10-23125	8 WAY RECEPTACLE, AT04-08PA
18	10-23126	WEATHER PACK TOWER, 6 POS (NOT SHOWN)
19	10-23127	WEATHER PACK SHROUD, 6 POS (NOT SHOWN)
20	10-23128	DEUTSCH 2 WAY CAP, 1011-344-0205 (NOT SHOWN)
21	10-27336	FLAT WASHER, 5/16"
22	10-24355	WEATHERPROOF TOGGLE SWITCH
23	05-A357	MKX13114 WORK LIGHT KIT
23	05-A355	MKX1394 WORK LIGHT KIT
23	05-A353	MKX1384 WORK LIGHT KIT



P.O. Box 39

Rosenort, Manitoba, R0G 1W0 Canada

Phone: (866) 467-7207 (Canada & USA) or (204) 746-2396

Fax: (866) 768-4852

website: www.grinaugers.com

email: sales@grinaugers.com

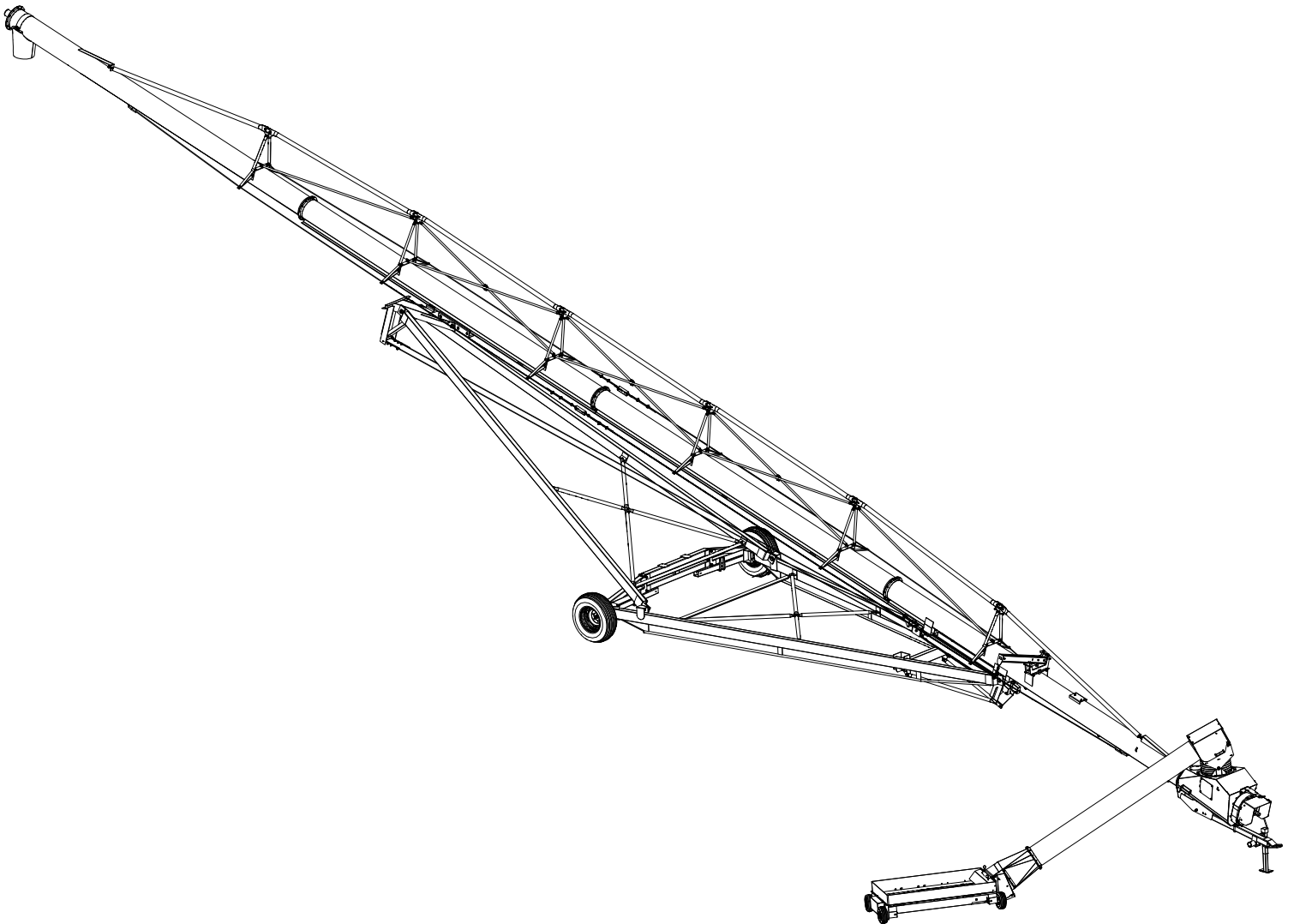
© Ag Growth International Inc. 2019

Printed in Canada



MKX16 SERIES AUGER

PARTS MANUAL

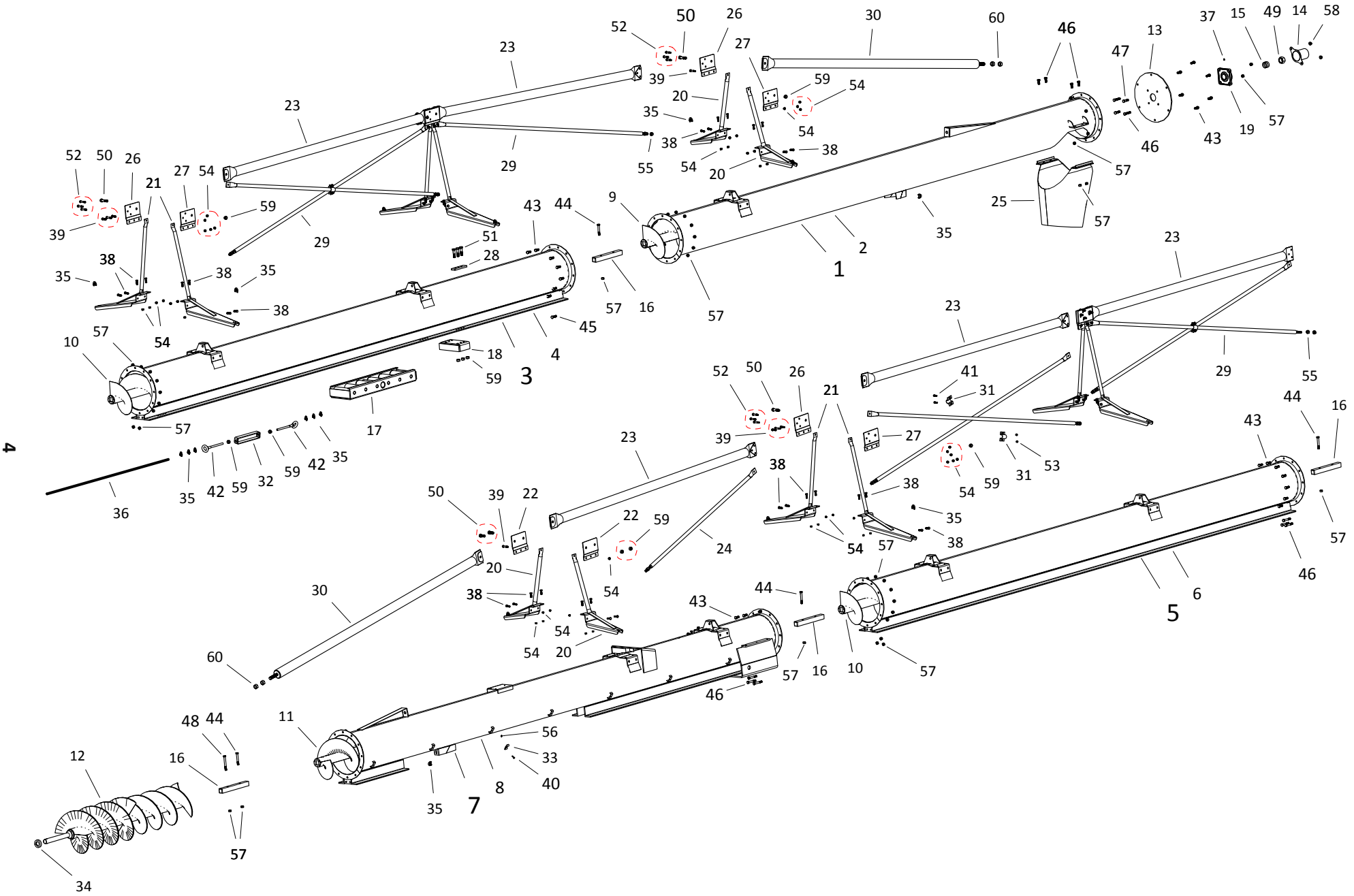


Revised: 08/Jun/2020

TABLE OF CONTENTS

DESCRIPTION	PAGE
TUBE & TRUSS COMPONENTS, MKX16-85 YELLOW	4
TUBE & TRUSS COMPONENTS, MKX16-105 YELLOW	8
TUBE & TRUSS COMPONENTS, MKX16-125 YELLOW	12
FRAME COMPONENTS, MKX16-85	16
FRAME COMPONENTS, MKX16-105	20
FRAME COMPONENTS, MKX16-125	24
HYDRAULIC LIFT COMPONENTS, MKX16-85	28
HYDRAULIC LIFT COMPONENTS, MKX16-105 125	30
LIFT ARM COMPONENTS, MKX16	32
HYDRAULIC WINCH COMPONENTS, MKX16	34
HOPPER COMPONENTS, MKX16	36
BOOT COMPONENTS, MKX16	38
SWING TUBE COMPONENTS, MKX16	42
ELECTRIC POWER SWING COMPONENTS, MKX16	46
ELECTRIC LANDING GEAR POWER SWING-16"	48
WORK LIGHT KIT, 85 (A354) 105 (A356) 125 (A358)	50
SPEED REDUCER COMPONENTS (20558)	52
UPPER GEARBOX COMPONENTS (20556)	54
LOWER GEARBOX COMPONENTS (20557)	55
PTO SHAFT COMPONENTS (20560)	56

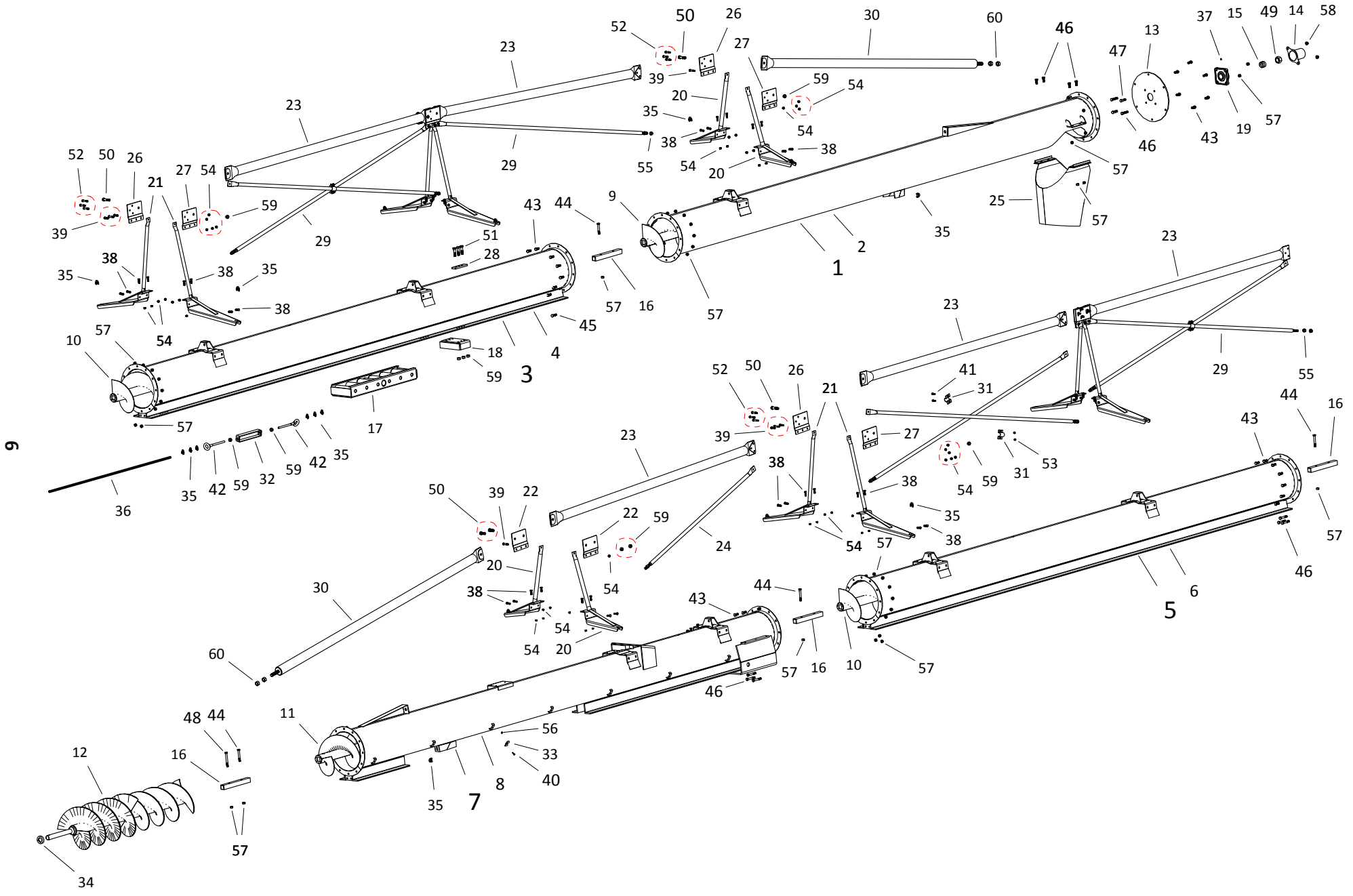
TUBE & TRUSS COMPONENTS, MKX16-85 YELLOW



TUBE & TRUSS COMPONENTS, MKX16-85 YELLOW

ITEM	PART NO.	DESCRIPTION
1	10-20719	MKX160-85/105/125 UPPER TUBE BDL
2	10-20634	MKX160 UPPER TUBE ONLY
3	10-20718	MKX160 UPPER MIDDLE TUBE BDL
4	10-20627	MKX160 UPPER MIDDLE TUBE ONLY
5	10-20717	MKX160 MIDDLE TUBE BUNDLE
6	10-20623	MKX160 MIDDLE TUBE ONLY
7	10-22451	MKX160-85 LOWER TUBE BUNDLE (2016)
8	10-20711	MKX160-85 LOWER TUBE ONLY
9	10-20648	MKX160 UPPER FLIGHT
10	10-20618	MKX160 MIDDLE FLIGHT
11	10-22388	MKX160 LOWER FLIGHT (2016)
12	10-22387	MKX160 BOOT FLIGHT (2016)
13	10-20632	MKX160 END PLATE
14	10-20660	MKX160 THRUST ADJUSTER COVER
15	10-21171	BUSHING, THRUST ADJUSTER
16	10-20635	MKX160 SQUARE SHAFT
17	10-20647WH	X160 TRACKSHOE
18	10-20670	MKX160 TRACKSTOP
19	10-20015	FHF211-32G-AP BEARING
20	10-20659	MKX160 LOW TRUSS TOWER
21	10-20658	MKX160 HIGH TRUSS TOWER
22	10-20737	MKX160 END JOINER PLATE
23	10-20723	MKX160 TRUSS TUBE
24	10-20778	MKX160 SHORT CROSS BRACE
25	10-20631	SPOUT, 16 INCH ROLLED
26	10-20720	MKX160 JOINER PLATE 1 (LEFT)
27	10-20721	MKX160 JOINER PLATE 2 (RIGHT)
28	10-21037	MKX160 TRACKSTOP SPACER PLATE
29	10-20725	MKX160 TRUSS CROSS BRACE, LONG
30	10-20722	MKX160 LONG ADJUST TUBE
31	10-17655	MK111 CROSS BRACE CLAMP
32	10-20729	MKX160 TURN BUCKLE
33	10-20607	MKX160 HYDRAULIC HOSE UPPER CATCH
34	200693	BOOT FLIGHT COLLAR
35	10-20617	1/2" CABLE CLAMP
36	10-20740	MKX160-85 TRUSS CABLE
37	10-19222	1/4" FINE THREAD ZIRK
38	10-19589	1/2" X 1-1/2" NC BOLT GR 8 PLTD
39	10-19974	1/2" X 1-3/4" NC BOLT GR 8 PLTD
40	10-17748	5/16" X 1-1/4" NC BOLT GR 2 PLTD
41	10-18698	7/16" X 1-1/4" NC BOLT GR 8 PLTD
42	10-20715	3/4" X 11-1/2" EYE BOLT PLTD (WELD)
43	10-19590	5/8" X 1-1/2" NC BOLT GR 8 PLTD
44	10-18545	5/8" X 4-1/2" NC BOLT GR 8 PLTD
45	10-27589	5/8" X 2-1/2" NC BOLT GR 8 PLTD
46	10-17745	5/8" X 3" NC BOLT GR8 PLTD
47	10-27484	5/8" X 2-1/4" NC BOLT GR 8 PLTD
48	10-17632	5/8" X 5-1/2" NC BOLT GR8 PLTD
49	10-24423	1-1/2" NYLON LOCK NUT UNF GR8 PLTD
50	10-20774	3/4" X 2-1/2" BOLT GR8 PLTD

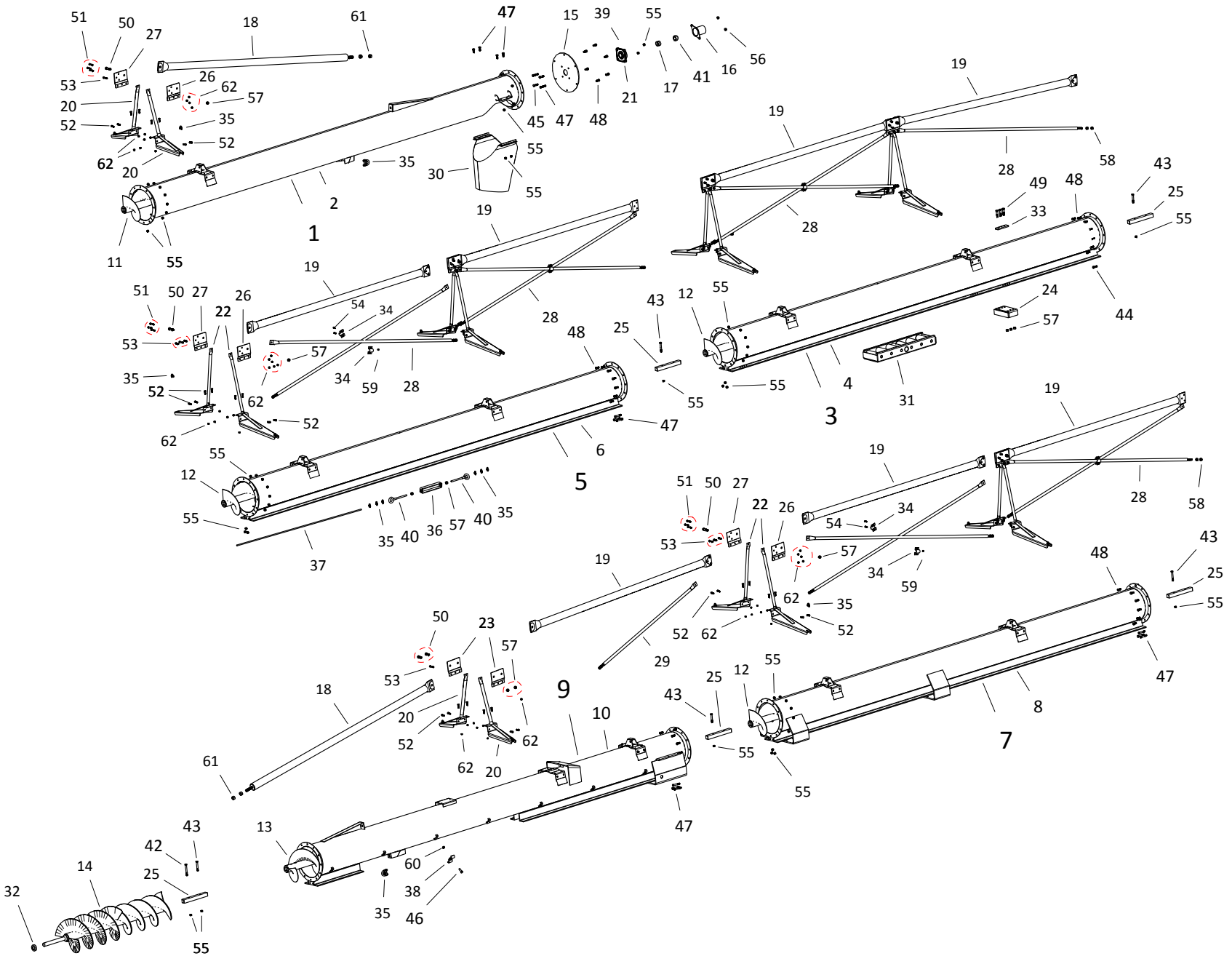
TUBE & TRUSS COMPONENTS, MKX16-85 YELLOW



TUBE & TRUSS COMPONENTS, MKX16-85 YELLOW

ITEM	PART NO.	DESCRIPTION
51	10-19978	3/4" X 3" NC BOLT GR 8 PLTD
52	10-20772	1/2" X 2-1/2" GR8 PLTD
53	10-19598	7/16" NC NYLON LOCKNUT GR 2 PLTD
54	10-19599	1/2" NC NYLON LOCKNUT GR 2 PLTD
55	10-19997	3/4" NC HEX NUT PLTD
56	10-19980	5/16" NC NYLON LOCKNUT PLTD
57	10-19600	5/8" NC NYLON LOCKNUT PLTD
58	10-27588	5/8" NC SERRATED FLANGE NUT PLTD
59	10-19601	3/4" NC NYLON LOCKNUT PLTD
60	10-20080	1" NC HEX NUT PLTD

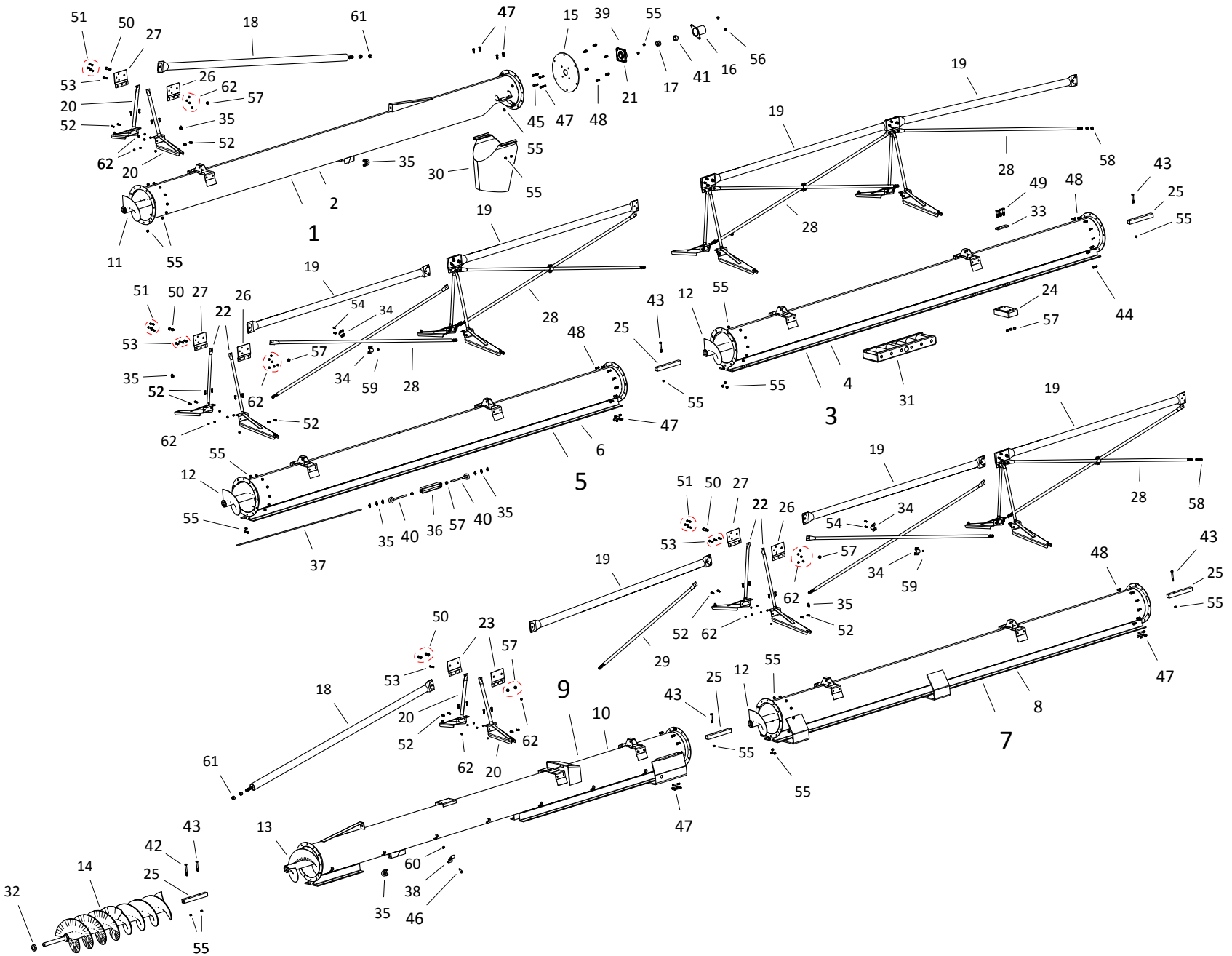
TUBE & TRUSS COMPONENTS, MKX16-105 YELLOW



TUBE & TRUSS COMPONENTS, MKX16-105 YELLOW

ITEM	PART NO.	DESCRIPTION
1	10-20719	MKX160-85/105/125 UPPER TUBE BDL
2	10-20634	MKX160 UPPER TUBE ONLY
3	10-20718	MKX160 UPPER MIDDLE TUBE BDL
4	10-20627	MKX160 UPPER MIDDLE TUBE ONLY
5	10-20717	MKX160 MIDDLE TUBE BUNDLE
6	10-20623	MKX160 MIDDLE TUBE ONLY
7	10-20734	MKX160-105/125 LWR MID TUBE BDL
8	10-20622	MKX160-105/125 LOWER MID TUBE ONLY
9	10-22452	MKX160-105/125 LOWER TUBE BDL (2016)
10	10-20624	MKX160-105/125 LOWER TUBE ONLY
11	10-20648	MKX160 UPPER FLIGHT
12	10-20618	MKX160 MIDDLE FLIGHT
13	10-22388	MKX160 LOWER FLIGHT (2016)
14	10-22387	MKX160 BOOT FLIGHT (2016)
15	10-20632	MKX160 END PLATE
16	10-20660	MKX160 THRUST ADJUSTER COVER
17	10-21171	BUSHING, THRUST ADJUSTER
18	10-20722	MKX160 LONG ADJUST TUBE
19	10-20723	MKX160 TRUSS TUBE
20	10-20659	MKX160 LOW TRUSS TOWER
21	10-20015	FHF211-32G-AP BEARING
22	10-20658	MKX160 HIGH TRUSS TOWER
23	10-20737	MKX160 END JOINER PLATE
24	10-20670	MKX160 TRACKSTOP
25	10-20635	MKX160 SQUARE SHAFT
26	10-20721	MKX160 JOINER PLATE 2 (RIGHT)
27	10-20720	MKX160 JOINER PLATE 1 (LEFT)
28	10-20725	MKX160 TRUSS CROSS BRACE, LONG
29	10-20778	MKX160 SHORT CROSS BRACE
30	10-20631	SPOUT, 16 INCH ROLLED
31	10-20647WH	X160 TRACKSHOE
32	200693	BOOT FLIGHT COLLAR
33	10-21037	MKX160 TRACKSTOP SPACER PLATE
34	10-17655	MK111 CROSS BRACE CLAMP
35	10-20617	1/2" CABLE CLAMP
36	10-20729	MKX160 TURN BUCKLE
37	10-20742	MKX160-105 TRUSS CABLE
38	10-20607	MKX160 HYDRAULIC HOSE UPPER CATCH
39	10-19222	GREASE ZERK
40	10-20715	3/4" X 11-1/2" EYE BOLT PLTD (WELD)
41	10-24423	1-1/2" NYLON LOCK NUT UNF GR8 PLTD
42	10-17632	5/8" X 5-1/2" NC BOLT GR8 PLTD
43	10-18545	5/8" X 4-1/2" NC BOLT GR 8 PLTD
44	10-27589	5/8" X 2-1/2" NC BOLT GR 8 PLTD
45	10-27484	5/8" X 2-1/4" NC BOLT GR 8 PLTD
46	10-17748	5/16" X 1-1/4" NC BOLT GR 2 PLTD
47	10-17745	5/8" X 3" NC BOLT GR8 PLTD
48	10-19590	5/8" X 1-1/2" NC BOLT GR 8 PLTD
49	10-19978	3/4" X 3" NC BOLT GR 8 PLTD
50	10-20774	3/4" X 2-1/2" BOLT GR 8 PLTD

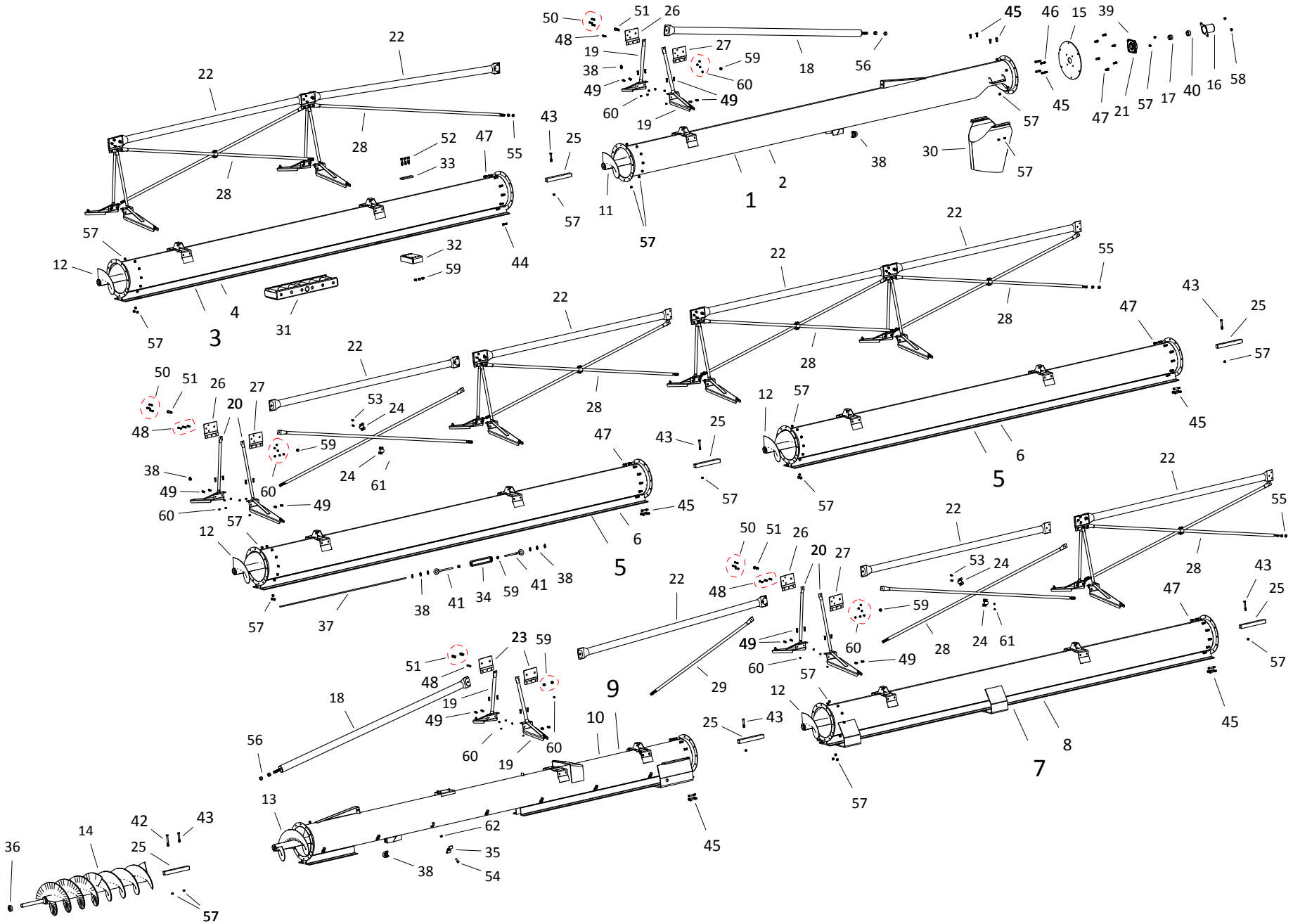
TUBE & TRUSS COMPONENTS, MKX16-105 YELLOW



TUBE & TRUSS COMPONENTS, MKX16-105 YELLOW

ITEM	PART NO.	DESCRIPTION
51	10-20772	1/2" X 2-1/2" GR8 PLTD
52	10-19589	1/2" X 1-1/2" NC BOLT GR 8 PLTD
53	10-19974	1/2" X 1-3/4" NC BOLT GR 8 PLTD
54	10-18698	7/16" X 1-1/4" NC BOLT GR 8 PLTD
55	10-19600	5/8" NC NYLON LOCKNUT PLTD
56	10-27588	5/8" NC SERRATED FLANGE NUT PLTD
57	10-19601	3/4" NC NYLON LOCKNUT PLTD
58	10-19997	3/4" NC HEX NUT PLTD
59	10-19598	7/16" NC NYLON LOCKNUT GR 2 PLTD
60	10-19980	5/16" NC NYLON LOCKNUT PLTD
61	10-20080	1" NC HEX NUT PLTD
62	10-19599	1/2" NC NYLON LOCKNUT GR 2 PLTD

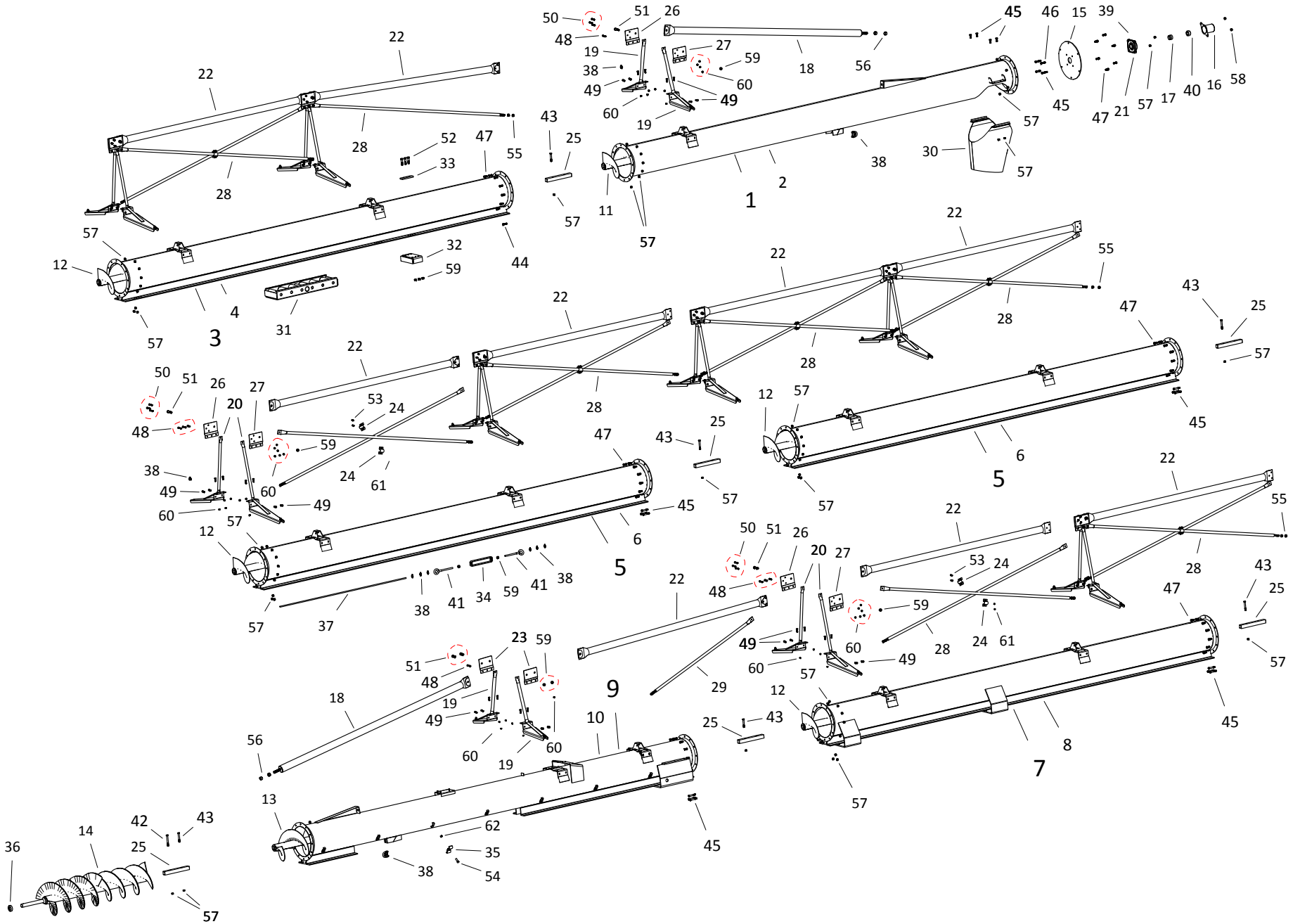
TUBE & TRUSS COMPONENTS, MKX16-125 YELLOW



TUBE & TRUSS COMPONENTS, MKX16-125 YELLOW

ITEM	PART NO.	DESCRIPTION
1	10-20719	MKX160-85/105/125 UPPER TUBE BDL
2	10-20634	MKX160 UPPER TUBE ONLY
3	10-20718	MKX160 UPPER MIDDLE TUBE BDL
4	10-20627	MKX160 UPPER MIDDLE TUBE ONLY
5	10-20717	MKX160 MIDDLE TUBE BUNDLE
6	10-20623	MKX160 MIDDLE TUBE ONLY
7	10-20734	MKX160-105/125 LWR MID TUBE BDL
8	10-20622	MKX160-105/125 LOWER MID TUBE ONLY
9	10-22452	MKX160-105/125 LOWER TUBE BDL (2016)
10	10-20624	MKX160-105/125 LOWER TUBE ONLY
11	10-20648	MKX160 UPPER FLIGHT
12	10-20618	MKX160 MIDDLE FLIGHT
13	10-22388	MKX160 LOWER FLIGHT (2016)
14	10-22387	MKX160 BOOT FLIGHT (2016)
15	10-20632	MKX160 END PLATE
16	10-20660	MKX160 THRUST ADJUSTER COVER
17	10-21171	BUSHING, THRUST ADJUSTER
18	10-20722	MKX160 LONG ADJUST TUBE
19	10-20659	MKX160 LOW TRUSS TOWER
20	10-20658	MKX160 HIGH TRUSS TOWER
21	10-20015	FHF211-32G-AP BEARING
22	10-20723	MKX160 TRUSS TUBE
23	10-20737	MKX160 END JOINER PLATE
24	10-17655	MK111 CROSS BRACE CLAMP
25	10-20635	MKX160 SQUARE SHAFT
26	10-20720	MKX160 JOINER PLATE 1 (LEFT)
27	10-20721	MKX160 JOINER PLATE 2 (RIGHT)
28	10-20725	MKX160 TRUSS CROSS BRACE, LONG
29	10-20778	MKX160 SHORT CROSS BRACE
30	10-20631	SPOUT, 16 INCH ROLLED
31	10-20647WH	X160 TRACKSHOE
32	10-20670	MKX160 TRACKSTOP
33	10-21037	MKX160 TRACKSTOP SPACER PLATE
34	10-20729	MKX160 TURN BUCKLE
35	10-20607	MKX160 HYDRAULIC HOSE UPPER CATCH
36	200693	BOOT FLIGHT COLLAR
37	10-20741	MKX160-125 TRUSS CABLE
38	10-20617	1/2" CABLE CLAMP
39	10-19222	GREASE ZERK
40	10-24423	1-1/2" NYLON LOCK NUT UNF GR8 PLTD
41	10-20715	3/4" X 11-1/2" EYE BOLT PLTD (WELD)
42	10-17632	5/8" X 5-1/2" NC BOLT GR8 PLTD
43	10-18545	5/8" X 4-1/2" NC BOLT GR 8 PLTD
44	10-27589	5/8" X 2-1/2" NC BOLT GR 8 PLTD
45	10-17745	5/8" X 3" NC BOLT GR8 PLTD
46	10-27484	5/8" X 2-1/4" NC BOLT GR 8 PLTD
47	10-19590	5/8" X 1-1/2" NC BOLT GR 8 PLTD
48	10-19974	1/2" X 1-3/4" NC BOLT GR 8 PLTD
49	10-19589	1/2" X 1-1/2" NC BOLT GR 8 PLTD
50	10-20772	1/2" X 2-1/2" GR8 PLTD

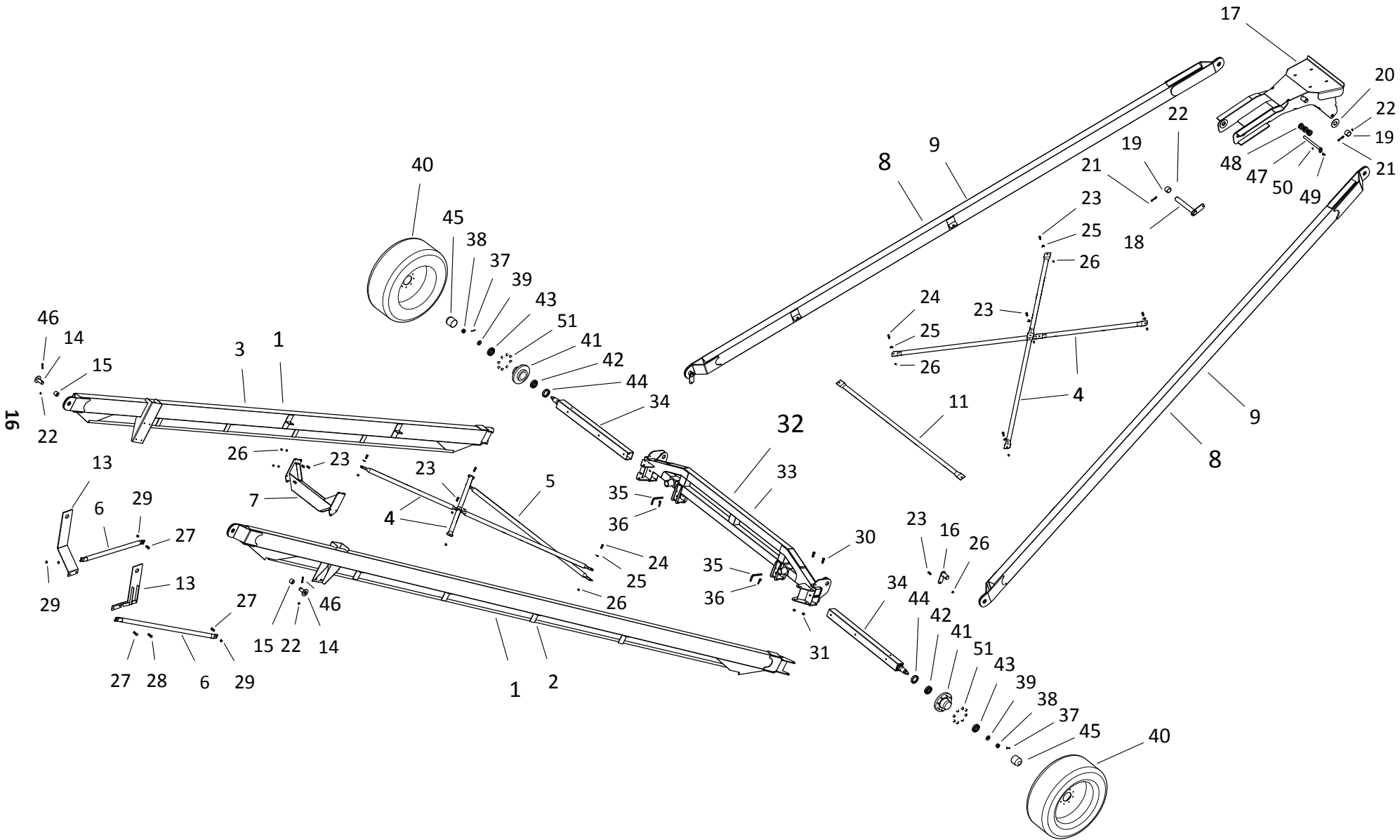
TUBE & TRUSS COMPONENTS, MKX16-125 YELLOW



TUBE & TRUSS COMPONENTS, MKX16-125 YELLOW

ITEM	PART NO.	DESCRIPTION
51	10-20774	3/4" X 2-1/2" BOLT GR 8 PLTD
52	10-19978	3/4" X 3" NC BOLT GR 8 PLTD
53	10-18698	7/16" X 1-1/4" NC BOLT GR 8 PLTD
54	10-17748	5/16" X 1-1/4" NC BOLT GR 2 PLTD
55	10-19997	3/4" NC HEX NUT PLTD
56	10-20080	1" NC HEX NUT PLTD
57	10-19600	5/8" NC NYLON LOCKNUT PLTD
58	10-27588	5/8" NC SERRATED FLANGE NUT PLTD
59	10-19601	3/4" NC NYLON LOCKNUT PLTD
60	10-19599	1/2" NC NYLON LOCKNUT GR 2 PLTD
61	10-19598	7/16" NC NYLON LOCKNUT GR 2 PLTD
62	10-19980	5/16" NC NYLON LOCKNUT PLTD

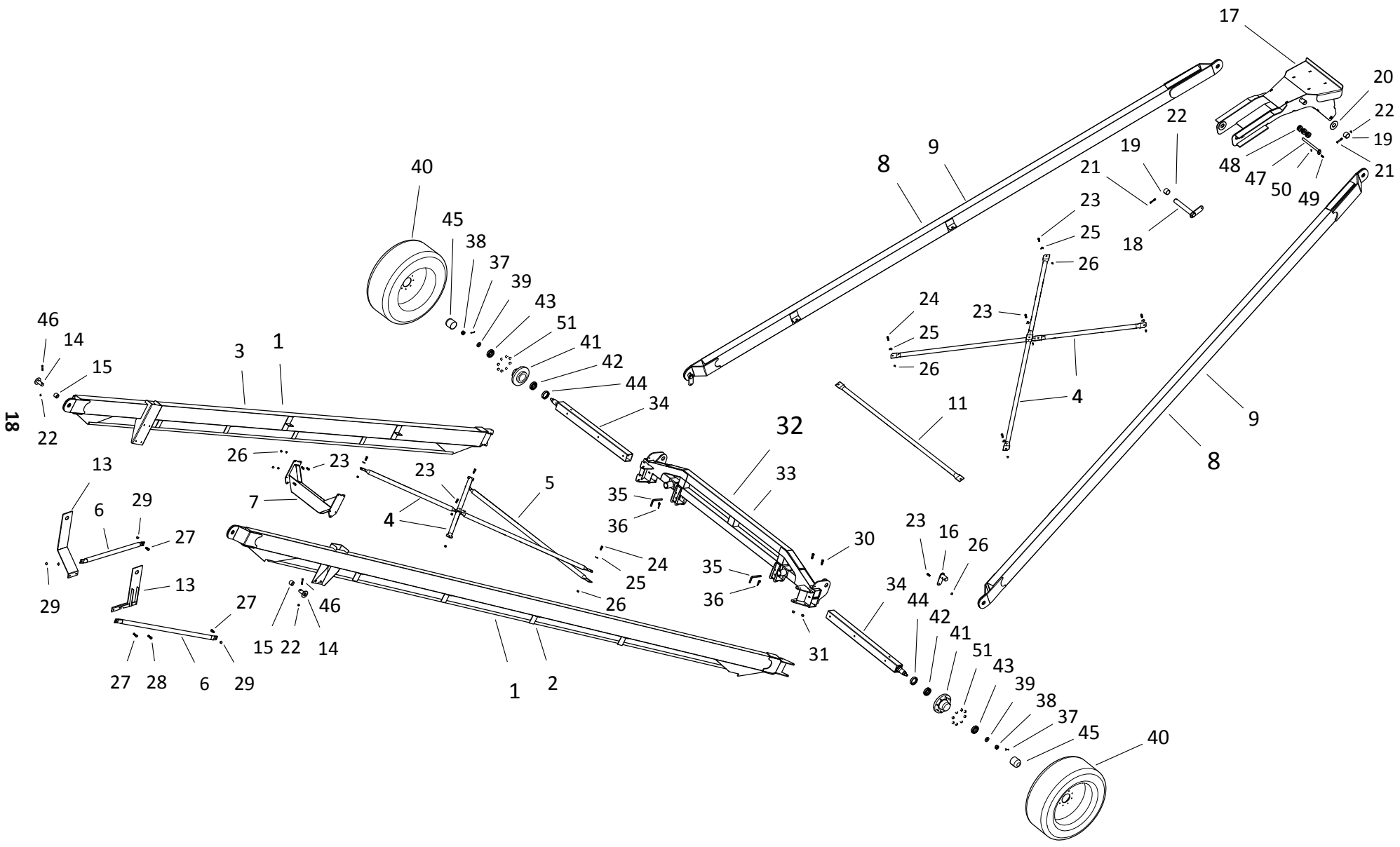
FRAME COMPONENTS, MKX16-85



FRAME COMPONENTS, MKX16-85

ITEM	PART NO.	DESCRIPTION
1	10-20782	MKX160 LOWER FRAME BUNDLE
2	10-20708	MKX160 LOWER ARM RH
3	10-20709	MKX160-85 LOWER ARM LH
4	10-20281	FRAME CROSS BRACE
5	10-20359	MKX1384/1685 LOWER TIE TUBE
6	10-20255	MKX130 STABALIZER BRACE
7	10-20646	MKX160 SHORT CROSS MEMBER
8	10-20785	MKX160 UPPER FRAME BUNDLE
9	10-20763	MKX160-85 UPPER ARM
11	10-20727	MKX160-85 UPPER TIE TUBE
13	10-20625	MKX160 STABALIZER BRACKET
14	10-20682	MKX160 TUBE FRAME ATTACH PIN
15	10-20661	MKX160 LOWER FRAME ATTACH BUSHING
16	10-20681	MKX160 AXLE FRAME PIN
17	10-20674	MKX160 LIFT ASSIST
18	10-20656	MKX160 TRACKSHOE PIN
19	10-20654	MKX160 TRACKSHOE BUSHING
20	10-20724	2" SAE FLAT WASHER PLTD
21	10-19547	7/16" X 3-1/2" NC BOLT GR 5 PLTD
22	10-19598	7/16" NC NYLON LOCKNUT GR 2 PLTD
23	10-19589	1/2" X 1-1/2" NC BOLT GR 8 PLTD
24	10-19974	1/2" X 1-3/4" NC BOLT GR 8 PLTD
25	10-17401	1/2" FLAT WASHER PLTD
26	10-19599	1/2" NC NYLON LOCKNUT GR 2 PLTD
27	10-19991	5/8" X 2" NC BOLT GR 8 PLTD
28	10-27484	5/8" X 2-1/4" NC BOLT GR 8 PLTD
29	10-19600	5/8" NC NYLON LOCKNUT PLTD
30	10-19592	3/4" X 2" NC BOLT GR 8 PLTD
31	10-19601	3/4" NC NYLON LOCKNUT PLTD
32	10-20642	MKX16 AXLE ASSY
33	10-20641	MKX160 AXLE
34	10-20645	MKX160 AXLE EXTENSION
35	10-20832	MKX160 AXLE PIN
36	10-19463	210 HITCH PIN
37	10-17757	3/16" X 1-3/4" COTTER PIN PLTD
38	10-17011	1" NF SLOTTED NUT PLAIN
39	10-20833	MKX160 HUB WASHER
40	10-20621	385/65R22.5 RECAPED WHEEL ASSEMBLY
41	10-20620	8000LB 8 BOLT IMP HUB ASSM STUDDED
42	10-21433	MKX/X160 HUB BEARING, LARGE
42A	10-22003	MKX/X160 BEARING CUP, LARGE
43	10-21434	MKX/X160 HUB BEARING SMALL
43A	10-22004	MKX/X160 BEARING CUP, SMALL
44	10-21435	MKX/X160 HUB SEAL
45	10-21436	MKX/X160 HUB DUST CAP
46	10-19546	7/16" X 3" NC BOLT GR 5 PLTD
47	10-22603	16" LIFT ASSIST LOWER PIN
48	10-20675	1/2" CABLE THIMBLE PULLEY
49	10-19975	BOLT, 3/8" X 1-1/4"
50	10-17402	3/8" NC NYLON LOCKNUT PLTD

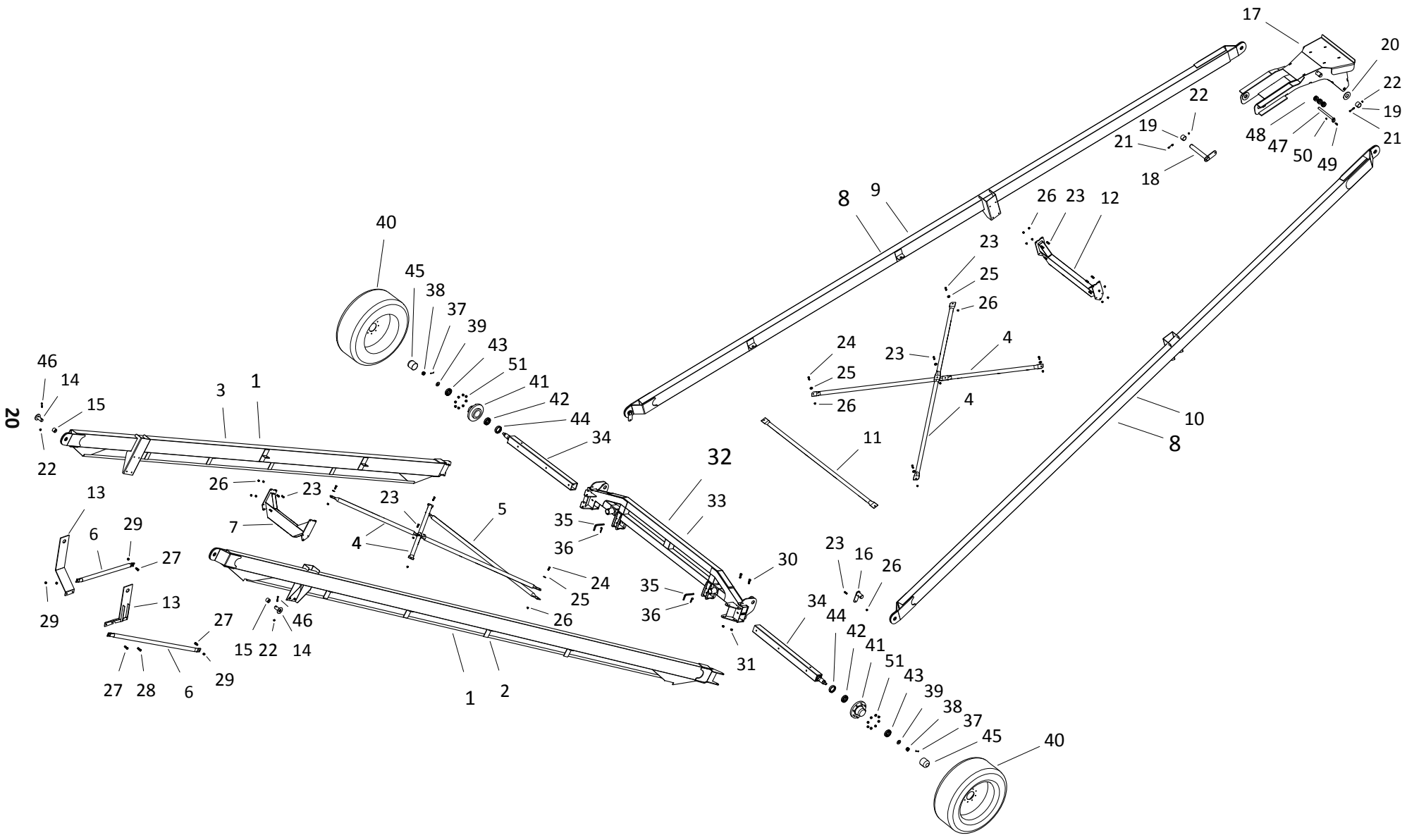
FRAME COMPONENTS, MKX16-85



FRAME COMPONENTS, MKX16-85

ITEM	PART NO.	DESCRIPTION
51	10-24233	5/8" WHEEL NUT

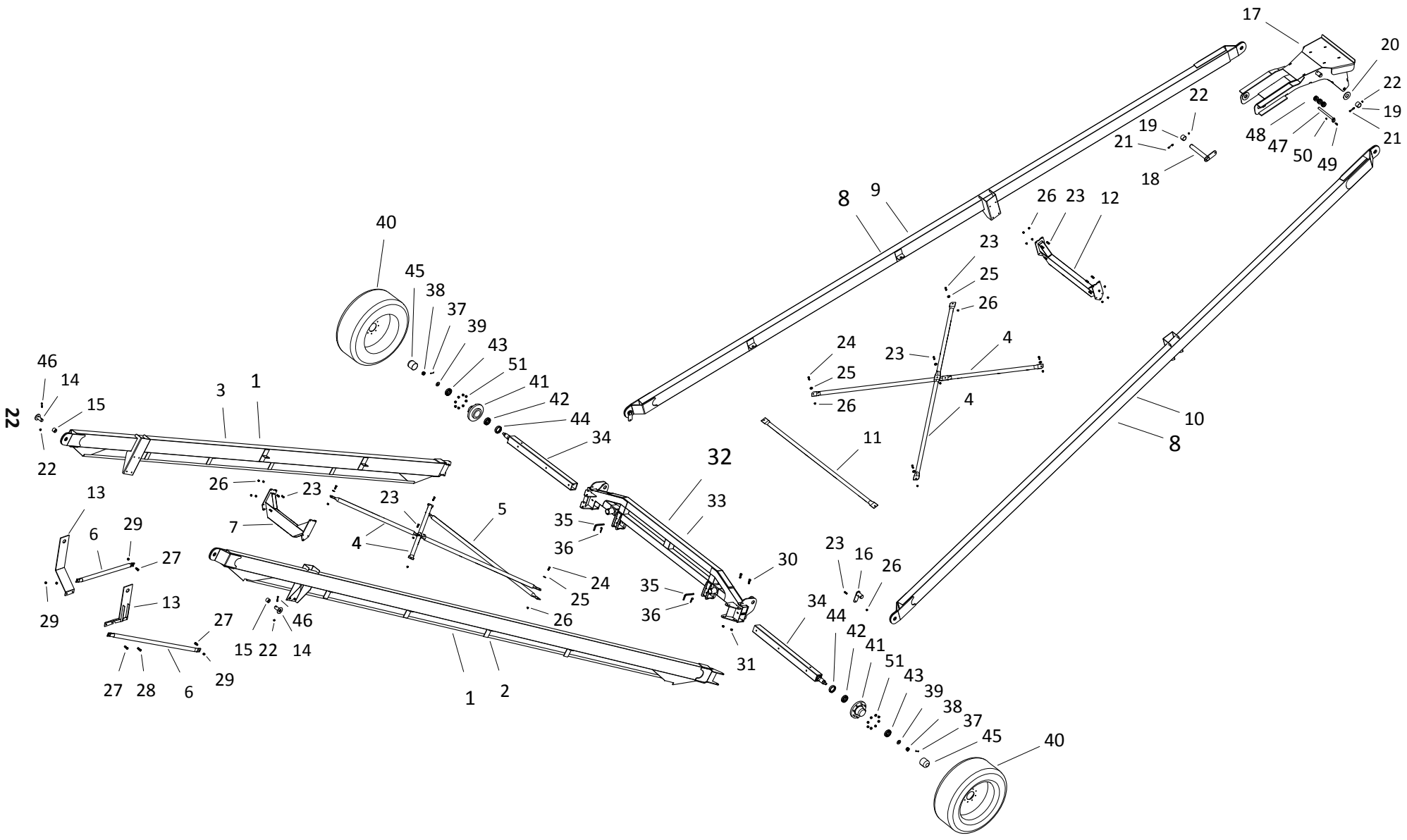
FRAME COMPONENTS, MKX16-105



FRAME COMPONENTS, MKX16-105

ITEM	PART NO.	DESCRIPTION
1	10-20783	MKX160 LOWER FRAME BUNDLE
2	10-20626	MKX160 LOWER ARM RH
3	10-20630	MKX160-105 LOWER ARM LH
4	10-20378	FRAME CROSS BRACE
5	10-20640	MKX160-105 LOWER TIE TUBE
6	10-20255	MKX130 STABALIZER BRACE
7	10-20646	MKX160 SHORT CROSS MEMBER
8	10-20786	MKX160 UPPER FRAME BUNDLE
9	10-20672	MKX160-105 UPPER ARM LH
10	10-20673	MKX160-105 UPPER ARM RH
11	10-20677	MKX160-105 UPPER TIE TUBE
12	10-20646	MKX160 SHORT CROSS MEMBER
13	10-20625	MKX160 STABALIZER BRACKET
14	10-20682	MKX160 TUBE FRAME ATTACH PIN
15	10-20661	MKX160 LOWER FRAME ATTACH BUSHING
16	10-20681	MKX160 AXLE FRAME PIN
17	10-20674	MKX160 LIFT ASSIST
18	10-20656	MKX160 TRACKSHOE PIN
19	10-20654	MKX160 TRACKSHOE BUSHING
20	10-20724	2" SAE FLAT WASHER PLTD
21	10-19547	7/16" X 3-1/2" NC BOLT GR 5 PLTD
22	10-19598	7/16" NC NYLON LOCKNUT GR 2 PLTD
23	10-19589	1/2" X 1-1/2" NC BOLT GR 8 PLTD
24	10-19974	1/2" X 1-3/4" NC BOLT GR 8 PLTD
25	10-17401	1/2" FLAT WASHER PLTD
26	10-19599	1/2" NC NYLON LOCKNUT GR 2 PLTD
27	10-19991	5/8" X 2" NC BOLT GR 8 PLTD
28	10-27484	5/8" X 2-1/4" NC BOLT GR 8 PLTD
29	10-19600	5/8" NC NYLON LOCKNUT PLTD
30	10-19592	3/4" X 2" NC BOLT GR 8 PLTD
31	10-19601	3/4" NC NYLON LOCKNUT PLTD
32	10-20642	MKX16 AXLE ASSY
33	10-20641	MKX160 AXLE
34	10-20645	MKX160 AXLE EXTENSION
35	10-20832	MKX160 AXLE PIN
36	10-19463	210 HITCH PIN
37	10-17757	3/16" X 1-3/4" COTTER PIN PLTD
38	10-17011	1" NF SLOTTED NUT PLAIN
39	10-20833	MKX160 HUB WASHER
40	10-20621	385/65R22.5 RECAPED WHEEL ASSEMBLY
41	10-20620	8000LB 8 BOLT IMP HUB ASSM STUDDED
42	10-21433	MKX/X160 HUB BEARING, LARGE
42A	10-22003	MKX/X160 BEARING CUP, LARGE
43	10-21434	MKX/X160 HUB BEARING SMALL
43A	10-22004	MKX/X160 BEARING CUP, SMALL
44	10-21435	MKX/X160 HUB SEAL
45	10-21436	MKX/X160 HUB DUST CAP
46	10-19546	7/16" X 3" NC BOLT GR 5 PLTD
47	10-22603	16" LIFT ASSIST LOWER PIN
48	10-20675	1/2" CABLE THIMBLE PULLEY

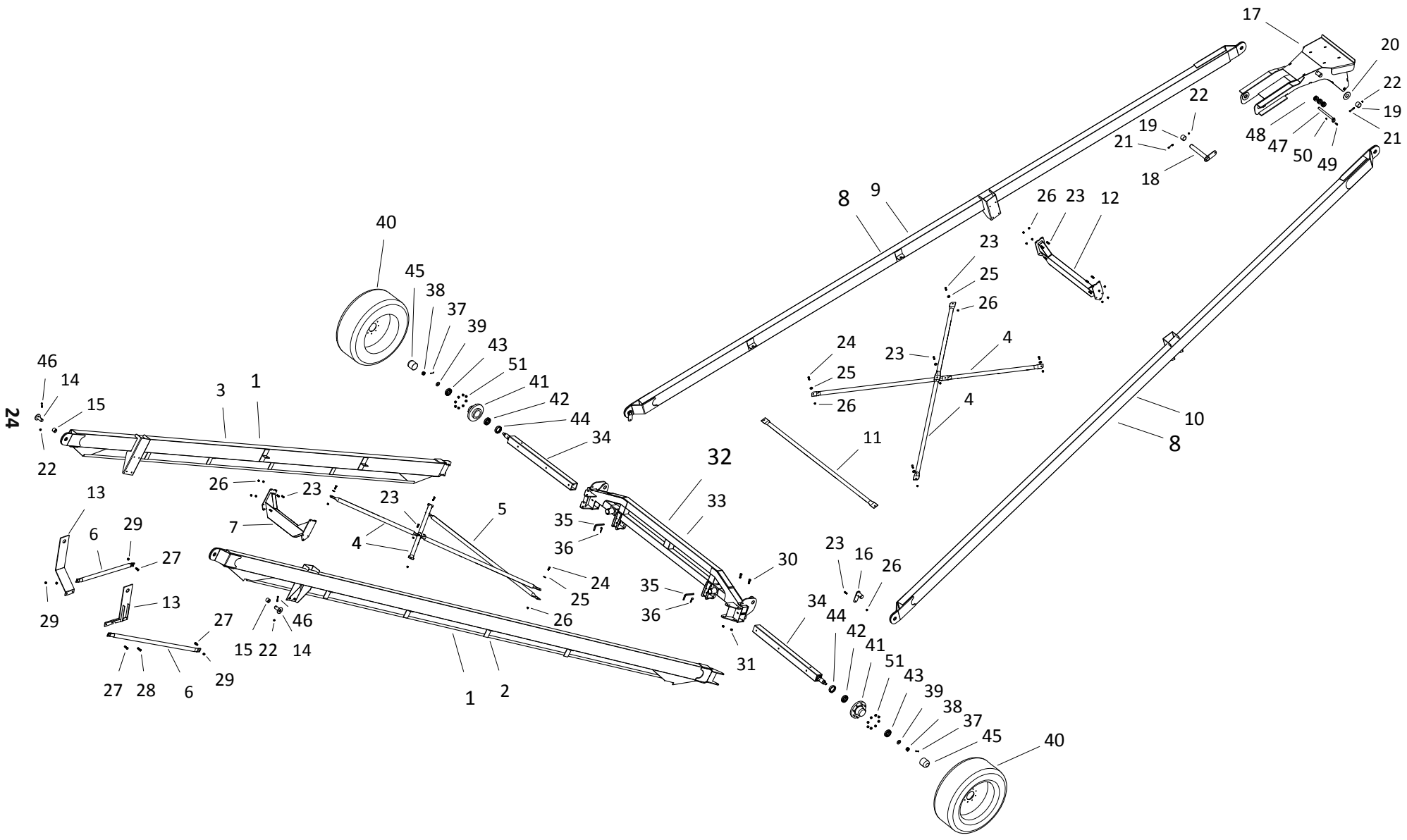
FRAME COMPONENTS, MKX16-105



FRAME COMPONENTS, MKX16-105

ITEM	PART NO.	DESCRIPTION
49	10-19975	BOLT, 3/8" X 1-1/4"
50	10-17402	3/8" NC NYLON LOCKNUT PLTD
51	10-24233	5/8" WHEEL NUT

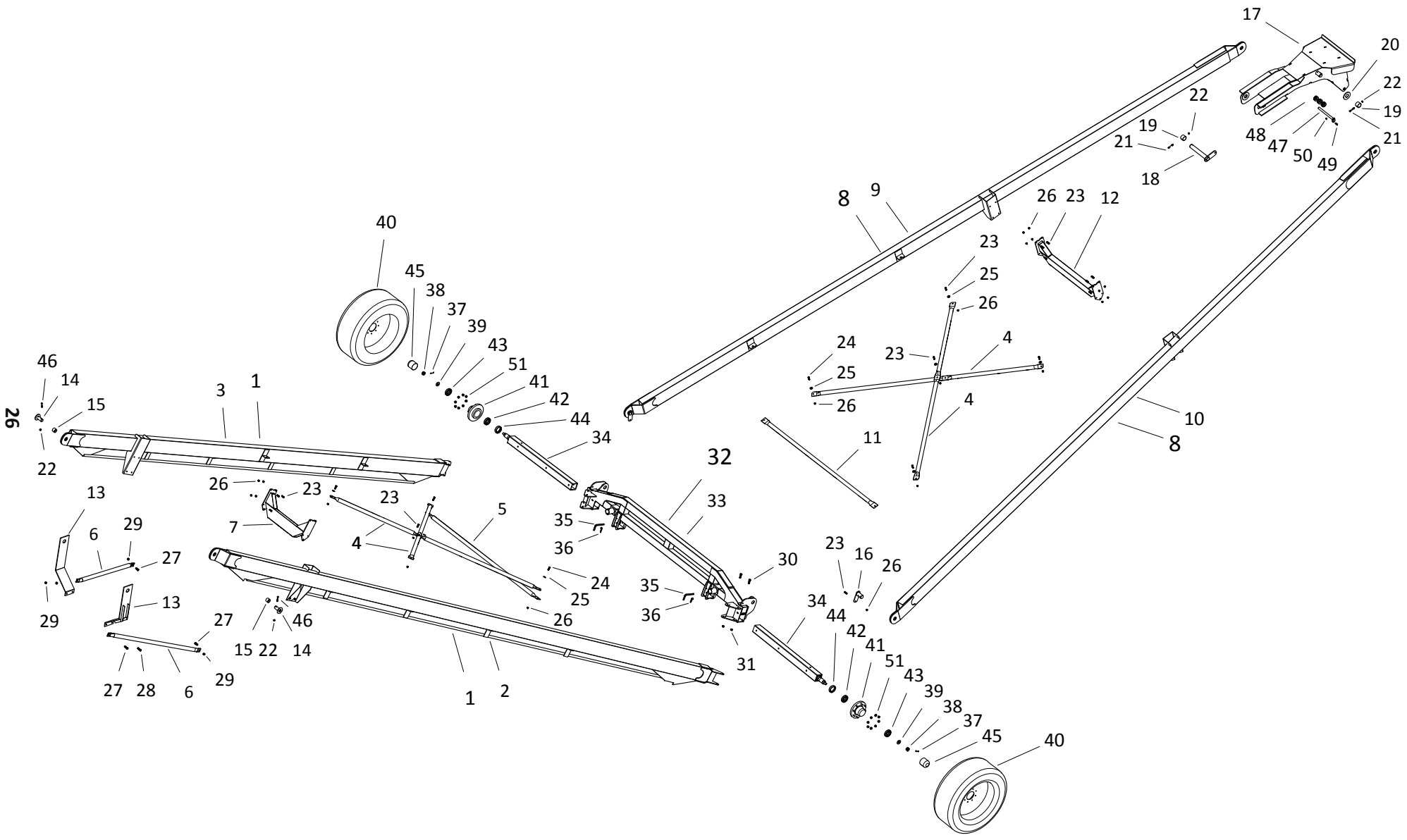
FRAME COMPONENTS, MKX16-125



FRAME COMPONENTS, MKX16-125

ITEM	PART NO.	DESCRIPTION
1	10-20784	MKX160 LOWER FRAME BUNDLE
2	10-20701	MKX160 LOWER ARM RH
3	10-20702	MKX160 LOWER ARM LH
4	10-20378	FRAME CROSS BRACE
5	10-20726	MKX160 LOWER TIE TUBE
6	10-20255	MKX130 STABALIZER BRACE
7	10-20646	MKX160 SHORT CROSS MEMBER
8	10-20787	MKX160 UPPER FRAME BUNDLE
9	10-20704	MKX160 UPPER ARM LH
10	10-20703	MKX160 UPPER ARM RH
11	10-20769	MKX160 UPPER TIE TUBE
12	10-20750	MKX160 SHORT CROSS MEMBER
13	10-20625	MKX160 STABALIZER BRACKET
14	10-20682	MKX160 TUBE FRAME ATTACH PIN
15	10-20661	MKX160 LOWER FRAME ATTACH BUSHING
16	10-20681	MKX160 AXLE FRAME PIN
17	10-20674	MKX160 LIFT ASSIST
18	10-20656	MKX160 TRACKSHOE PIN
19	10-20654	MKX160 TRACKSHOE BUSHING
20	10-20724	2" SAE FLAT WASHER PLTD
21	10-19547	7/16" X 3-1/2" NC BOLT GR 5 PLTD
22	10-19598	7/16" NC NYLON LOCKNUT GR 2 PLTD
23	10-19589	1/2" X 1-1/2" NC BOLT GR 8 PLTD
24	10-19974	1/2" X 1-3/4" NC BOLT GR 8 PLTD
25	10-17401	1/2" FLAT WASHER PLTD
26	10-19599	1/2" NC NYLON LOCKNUT GR 2 PLTD
27	10-19991	5/8" X 2" NC BOLT GR 8 PLTD
28	10-27484	5/8" X 2-1/4" NC BOLT GR 8 PLTD
29	10-19600	5/8" NC NYLON LOCKNUT PLTD
30	10-19592	3/4" X 2" NC BOLT GR 8 PLTD
31	10-19601	3/4" NC NYLON LOCKNUT PLTD
32	10-20642	MKX16 AXLE ASSY
33	10-20641	MKX160 AXLE
34	10-20645	MKX160 AXLE EXTENSION
35	10-20832	MKX160 AXLE PIN
36	10-19463	210 HITCH PIN
37	10-17757	3/16" X 1-3/4" COTTER PIN PLTD
38	10-17011	1" NF SLOTTED NUT PLAIN
39	10-20833	MKX160 HUB WASHER
40	10-20621	385/65R22.5 RECAPED WHEEL ASSEMBLY
41	10-20620	8000LB 8 BOLT IMP HUB ASSM STUDDER
42	10-21433	MKX/X160 HUB BEARING, LARGE
42A	10-22003	MKX/X160 BEARING CUP, LARGE
43	10-21434	MKX/X160 HUB BEARING SMALL
43A	10-22004	MKX/X160 BEARING CUP, SMALL
44	10-21435	MKX/X160 HUB SEAL
45	10-21436	MKX/X160 HUB DUST CAP
46	10-19546	7/16" X 3" NC BOLT GR 5 PLTD
47	10-22603	16" LIFT ASSIST LOWER PIN
48	10-20675	1/2" CABLE THIMBLE PULLEY

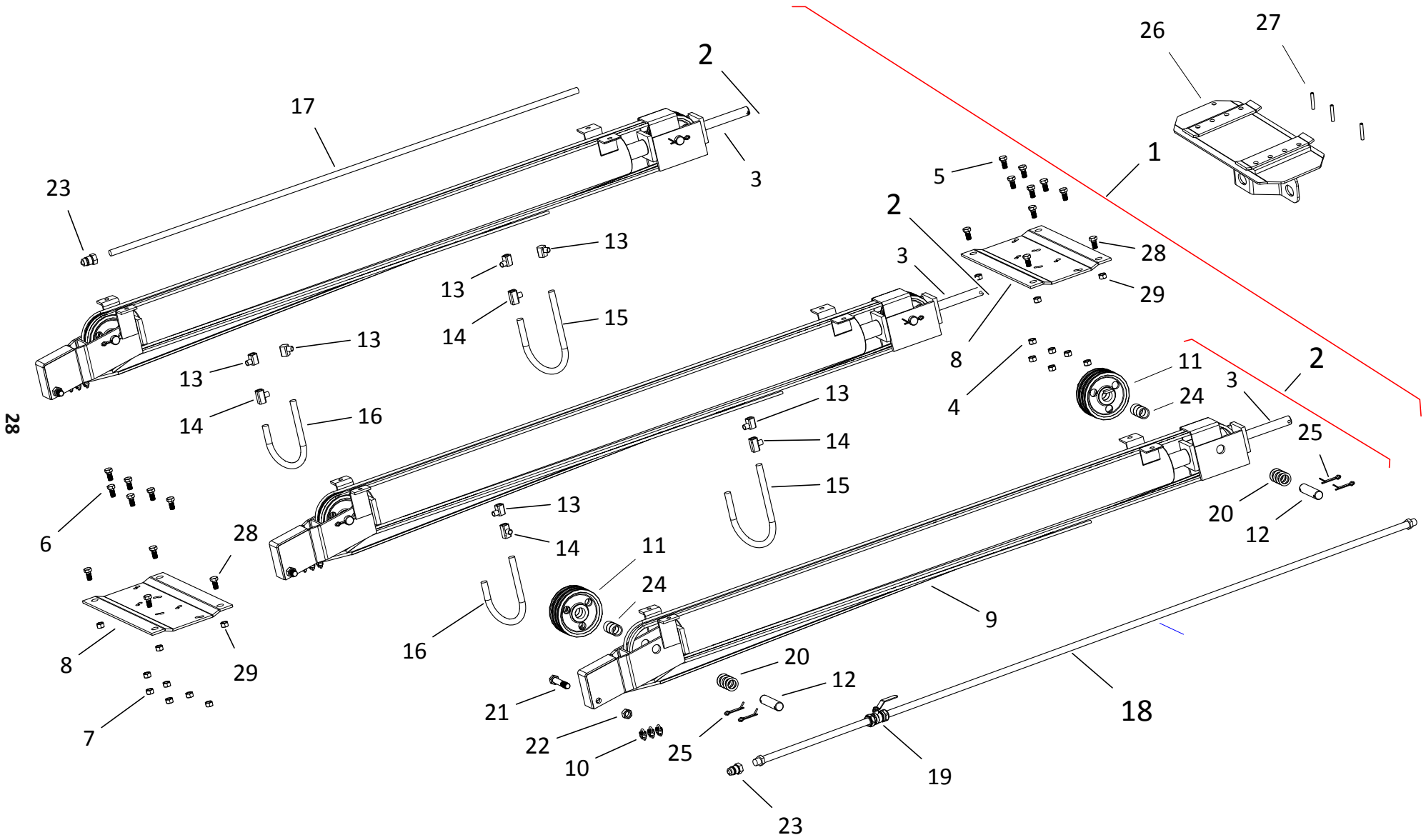
FRAME COMPONENTS, MKX16-125



FRAME COMPONENTS, MKX16-125

ITEM	PART NO.	DESCRIPTION
49	10-19975	BOLT, 3/8" X 1-1/4"
50	10-17402	3/8" NC NYLON LOCKNUT PLTD
51	10-24233	5/8" WHEEL NUT

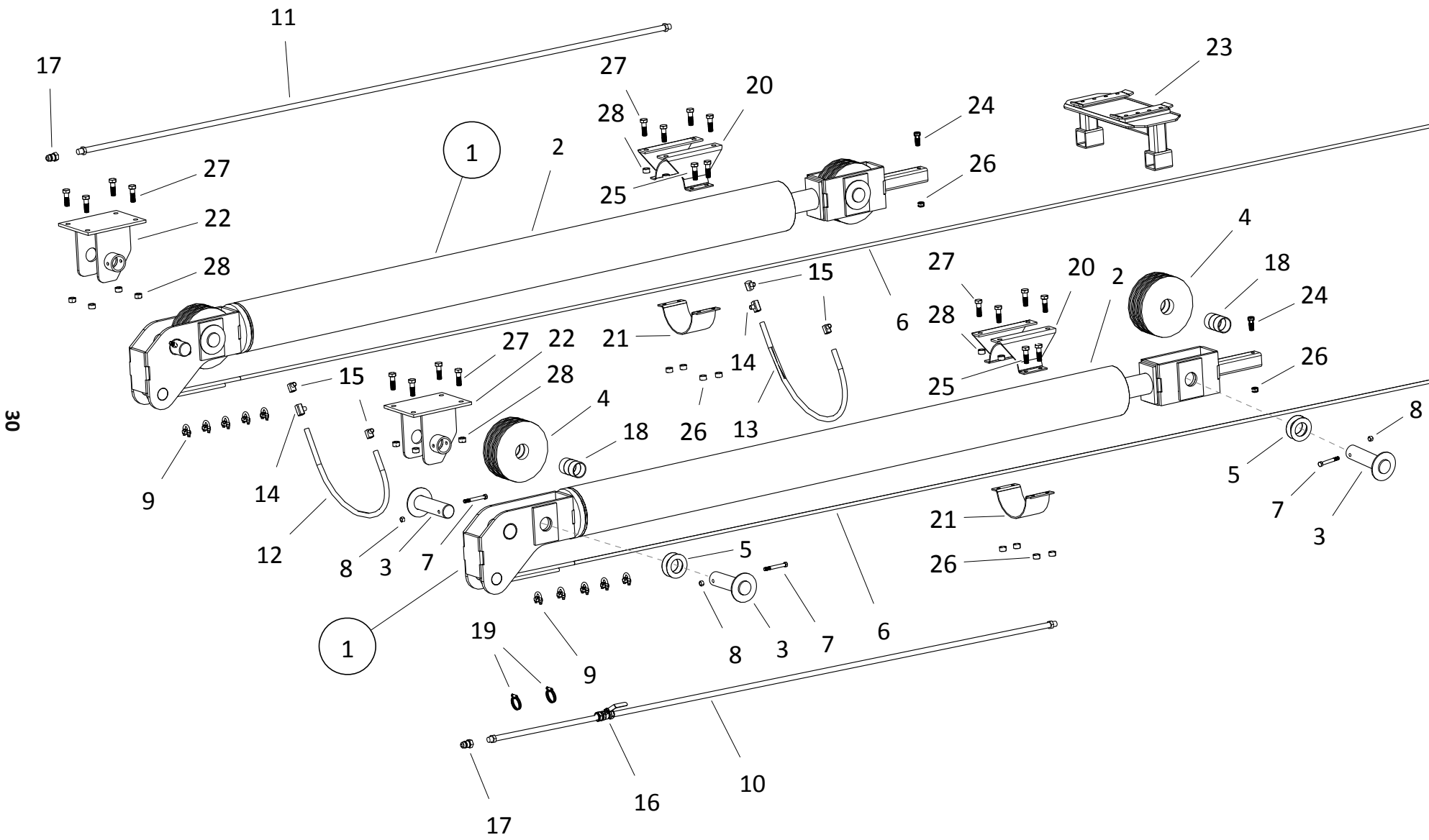
HYDRAULIC LIFT COMPONENTS, MKX16-85



HYDRAULIC LIFT COMPONENTS, MKX16-85

ITEM	PART NO.	DESCRIPTION
1	10-20733	MKX160-85 HYD CYLINDER BDL
2	10-20770	MKX160-85 CYLINDER ASSEMBLY
3	10-17388	MK91 CYLINDER ONLY
4	10-19599	1/2" NC NYLON LOCKNUT GR 2 PLTD
5	10-19588	1/2" X 1-1/4" NC BOLT GR 5 PLTD
6	10-18698	7/16" X 1-1/4" NC BOLT GR 8 PLTD
7	10-17593	7/16" NC NYLON LOCKNUT GR 5 PLTD
8	10-20732	MKX160-85 CYLINDER MOUNT BRACKET
9	4504072	5/16" STEEL CABLE, 90' LONG
10	10-19333	5/16" CABLE CLAMP (YELLOW ZINC)
11	10-19918	PULLEY, 5-1/2" CYLINDER
12	10-18089	PULLEY SPINDLE
13	10-22191	STEEL ELBOW 6MORB X 3/8 F NPSM
14	10-18736	3/8" STREET TEE
15	10-17468	3/8" X 32" HYDRAULIC HOSE
16	10-18739	3/8" X 16" HYDRAULIC HOSE
17	10-20758	MKX160X85 CYL RETURN HOSE (396)
18	10-20757	MKX160X 85 CYL HOSE ASSEMBLY
19	10-28475	1/2 BALL VALVE F/FNPT
20	10-18097	1" RIM WASHER PLTD
21	10-18093	5/8" X 3-1/2" NC BOLT GR 5 PLTD
22	10-19600	5/8" NC NYLON LOCKNUT PLTD
23	9900047	PIONEER COUPLER
24	10-18088	P245-6POROUS BRONZE BUSHING
25	10-18098	1/4" X 1-3/4" COTTER PIN PLTD
26	10-20707	MKX160-85 RAM GUIDE
27	10-18079	COILED SPRING PIN 5/16 X 2 PLN.O
28	10-19592	3/4" X 2" NC BOLT GR 8 PLTD
29	10-19601	3/4" NC NYLON LOCKNUT PLTD

HYDRAULIC LIFT COMPONENTS, MKX16-105 | 125

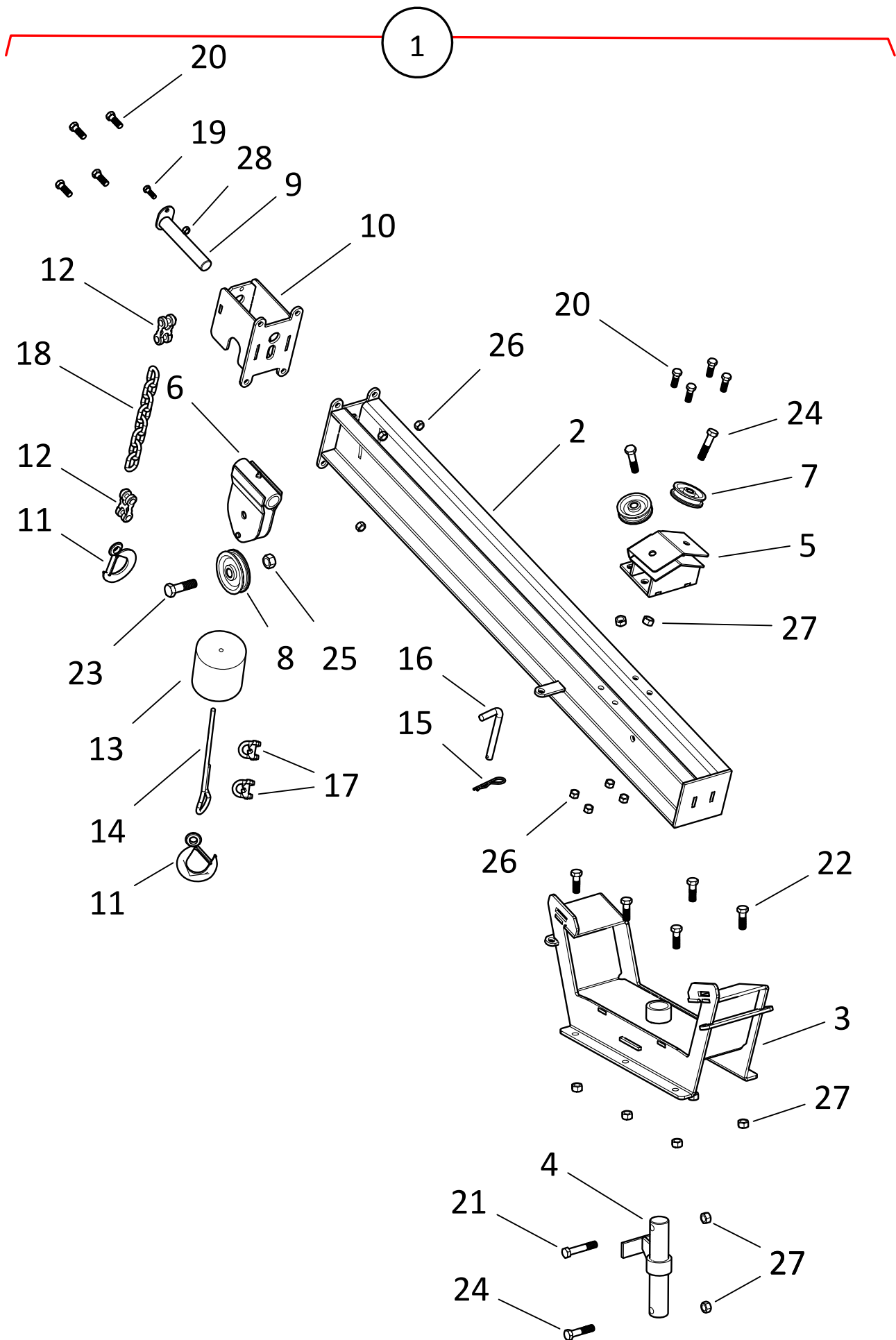


30

HYDRAULIC LIFT COMPONENTS, MKX16-105 | 125

ITEM	PART NO.	DESCRIPTION
1	10-20747	MKX160-105 HYD CYLINDER ASSEMBLY (105 ONLY)
1	10-20799	MKX160-125 HYD CYLINDER ASSEMBLY (125 ONLY)
2	10-20743	MKX160-105/125 HYD CYLINDER ONLY
3	10-20744	MKX160 HYDRAULIC CYLINDER PIN
4	10-20748	MKX160 HYD CYLINDER PULLEY
5	10-20794	MKX160 HYD CYLINDER WASHER
6	10-20797	MKX160 X 105 LIFT CABLE (105 ONLY)
6	10-20798	MKX160 X 125 LIFT CABLE (125 ONLY)
7	10-19547	7/16" X 3-1/2" NC BOLT GR 5 PLTD
8	10-19598	7/16" NC NYLON LOCKNUT GR 2 PLTD
9	10-20606	1/2" CABLE CLAMP (DROP FORGED)
10	10-20759	MKX160X 105 CYL HOSE ASSEMBLY (105 ONLY)
10	10-20761	MKX160X 125 CYL HOSE ASSEMBLY (125 ONLY)
11	10-20760	MKX160X105 CYL RETURN HOSE (492) (105 ONLY)
11	10-20762	MKX160X125 CYL RETURN HOSE (504) (125 ONLY)
12	10-20795	MKX160 CONN HOSE 1 (1/2" X 36")
13	10-20796	MKX160 CONN HOSE 2 (1/2" X 48")
14	10-28480	STEEL TEE 1/2NPSMX1/2MNPTX1/2NPSM
15	10-28654	#8 M-ORB-1/2F-NPT-90DEG FITTING
16	10-28475	1/2 BALL VALVE F/FNPT
17	9900047	PIONEER COUPLER
18	10-21545	2" X 2-1/4" X 1" POROUS BRONZE BUSHING
19	1200024	1/4" HOSE CLAMP
20	10-20735	MKX160 HALF CLAMP BRACKET
21	10-20736	MKX160 8" CYLINDER HALF CLAMP
22	10-20749	MKX160-105/125 REAR CYL ATTCH
23	10-20751	MKX160-105/125 RAM GUIDE
24	10-19589	1/2" X 1-1/2" NC BOLT GR 8 PLTD
25	10-19974	1/2" X 1-3/4" NC BOLT GR 8 PLTD
26	10-19599	1/2" NC NYLON LOCKNUT GR 2 PLTD
27	10-19991	5/8" X 2" NC BOLT GR 8 PLTD
28	10-19600	5/8" NC NYLON LOCKNUT PLTD
29	10-21546	CYLINDER, SEAL REPAIR KIT (NOT SHOWN)
30	10-21547	CHECK VALVE (NOT SHOWN)

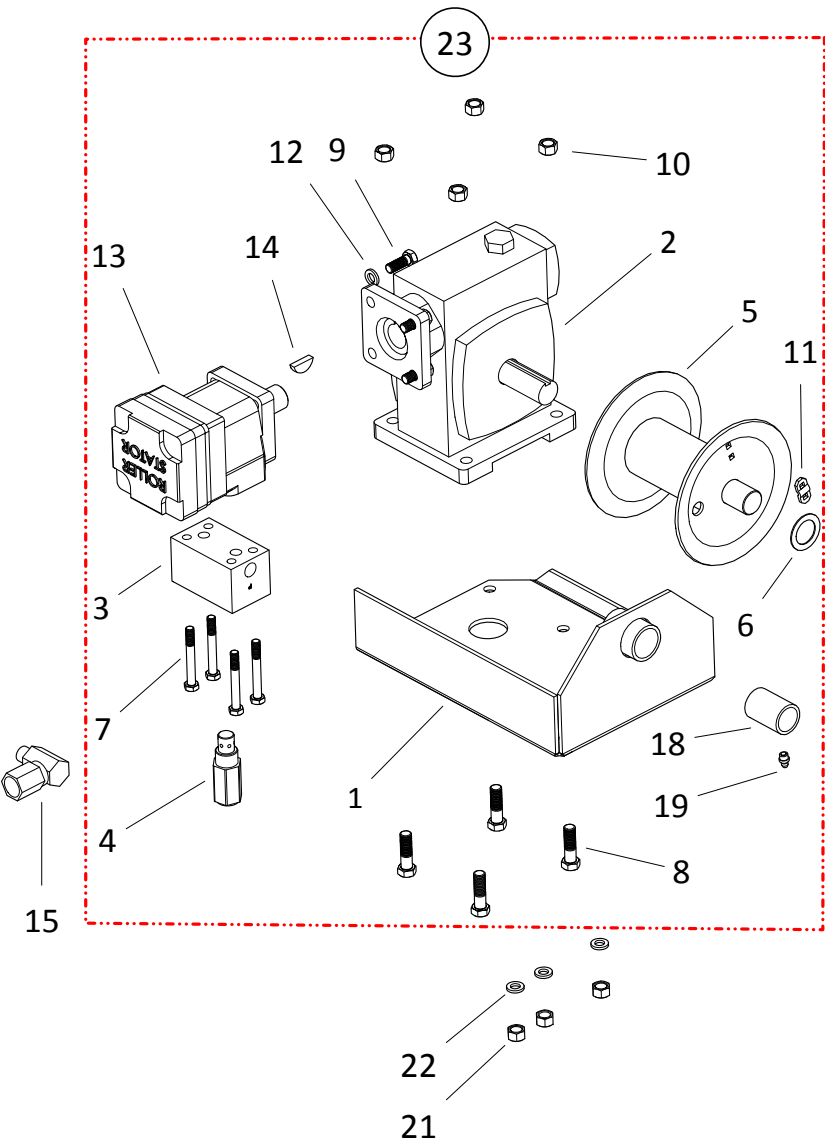
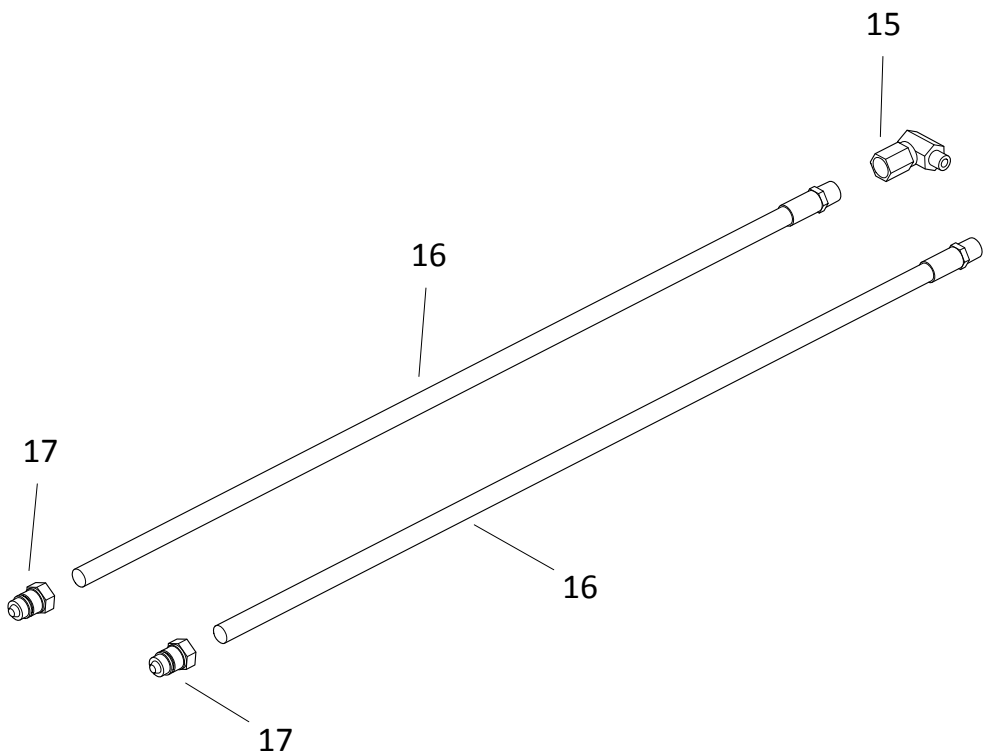
LIFT ARM COMPONENTS, MKX16



LIFT ARM COMPONENTS, MKX16

ITEM	PART NO.	DESCRIPTION
1	10-22982	MKX/X16 LIFT ARM ASSY, 2017
2	10-22989	MKX160 LIFT ARM ONLY, 2017
3	10-20664	MKX160 LIFT ARM BASE
4	10-20667	MKX160 LIFT ARM SWIVEL
5	10-20668	MKX160 LIFT ARM PULLEY GUIDE
6	10-22983	MKX160 LIFT ARM SLEEVE ASSY, 2017
7	10-21494	MKX160 LIFT ARM PULLEY ASSEMBLY
8	10-22987	MKX160 LIFT ARM PULLEY ASSY, 2017
9	10-22990	MKX160 LIFT ARM PULLEY PIN
10	10-23045	MKX160 LIFT ARM CABLE SUPPORT
11	10-28997	1/2T EYE HOIST HOOK W/LATCH
12	10-20083	5/16" MID LINK
13	10-20793	MKX160 HOPPER WEIGHT
14	10-17376	MK LP HOPPER CABLE
15	10-19463	SNAP PIN
16	10-19648	SADDLE PIN
17	10-19147	1/4" CABLE CLAMP
18	10-22793	5/16 GRADE 30 CHAIN X 11 LINK, PLTD
19	10-18091	5/16" X 1" NC BOLT GR 2 PLTD
20	10-18698	7/16" X 1-1/4" NC BOLT GR 8 PLTD
21	10-19798	1/2" X 2-3/4" NC BOLT GR 8 PLTD
22	10-19589	1/2" X 1-1/2" NC BOLT GR 8 PLTD
23	10-29251	5/8" X 2-3/4" NC BOLT GR 8 PLTD
24	9900560	1/2" X 2-1/4" NC BOLT GR 5 PLTD
25	10-19600	5/8" NC NYLON LOCKNUT PLTD
26	10-19598	7/16" NC NYLON LOCKNUT GR 2 PLTD
27	10-19599	1/2" NC NYLON LOCKNUT GR 2 PLTD
28	10-19980	5/16" NC NYLON LOCKNUT PLTD

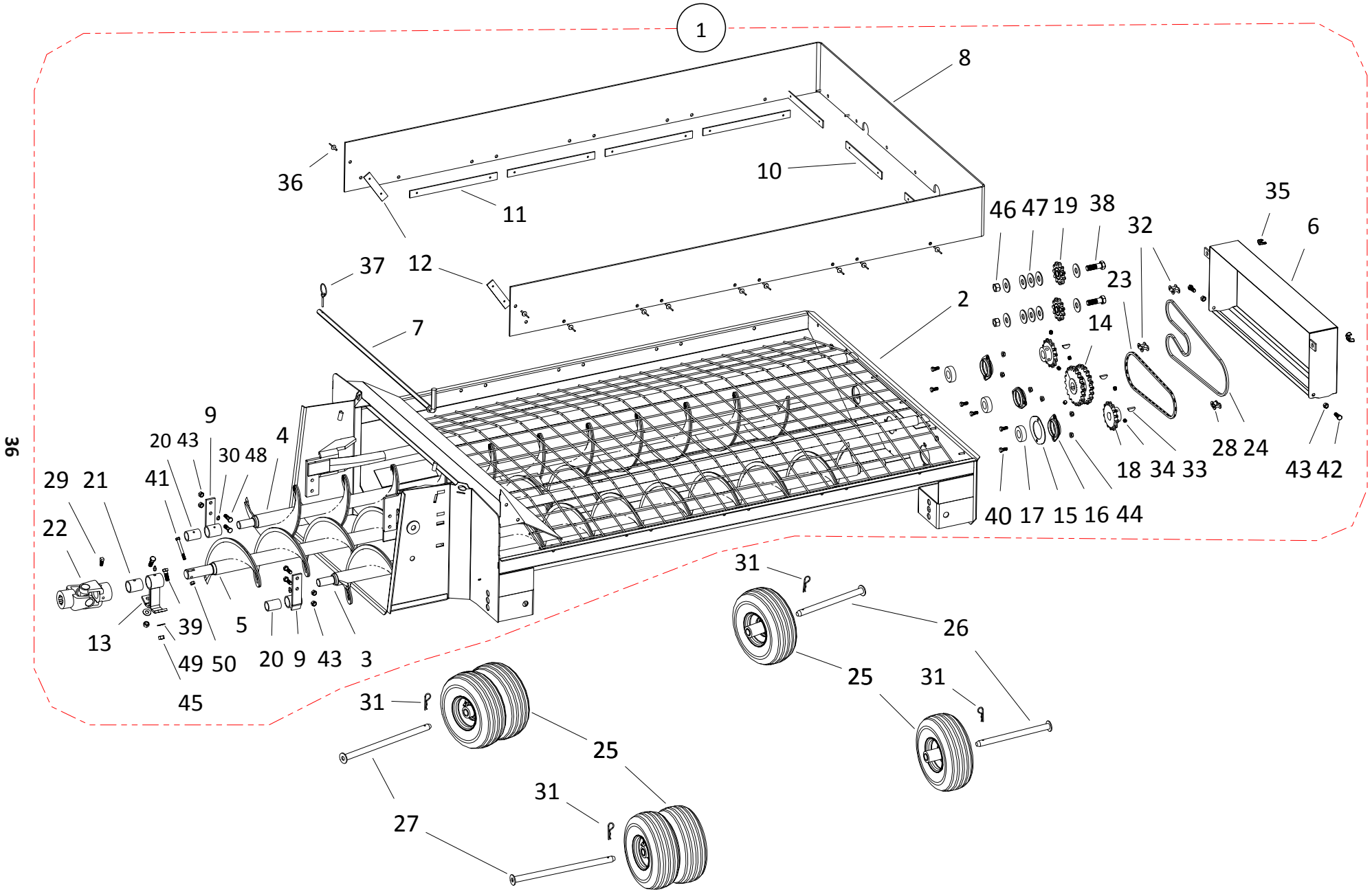
HYDRAULIC WINCH COMPONENTS, MKX16



HYDRAULIC WINCH COMPONENTS, MKX16

ITEM	PART NO.	DESCRIPTION
1	10-17628	WINCH FRAME
2	10-17625	GEAR BOX W/INTEGRAL MOTOR MOUNT
3	10-28221	MANIFOLD WINCH RELIEF BLOCK
4	10-28222	VALVE WINCH NON-ADJ RELIEF
5	10-17629	HYD WINCH DRUM
6	10-18097	1" RIM WASHER
7	10-17631	BOLT, 5/16" X 2-1/2" NC GR2 PLTD
8	10-28744	BOLT, 7/16" X 1-1/2" GR5 PLTD
9	10-18955	BOLT, 3/8" X 1" NC GR 5 PLTD
10	10-19598	7/16" NC NYLON LOCKNUT GR 2 PLTD
11	10-18496	ROPE KEEPER KIT
12	10-19604	LOCKWASHER, 3/8"
13	10-17626	HYDRAULIC MOTOR 3.2, MANIFOLD, KEYED
14	10-19224	1/4" X 1" WOODRUFF KEY (4503192)
15	1100625	STEEL ELBOW 90, 1/2FNPSMX3/8MNPT
16	10-29426	HYD HOSE 1/2" X 226"
17	9900047	PIONEER COUPLER
18	10-19149	BUSHING, 1" ID X 1-1/4" OD OILITE
19	10-19222	GREASE NIPPLE, 5/16" PRESS IN
21	10-17402	3/8" NC NYLON LOCKNUT PLTD
22	10-17392	3/8" FLAT WASHER PLTD
23	10-17634	HYDRAULIC WINCH ASSEMBLY, RED

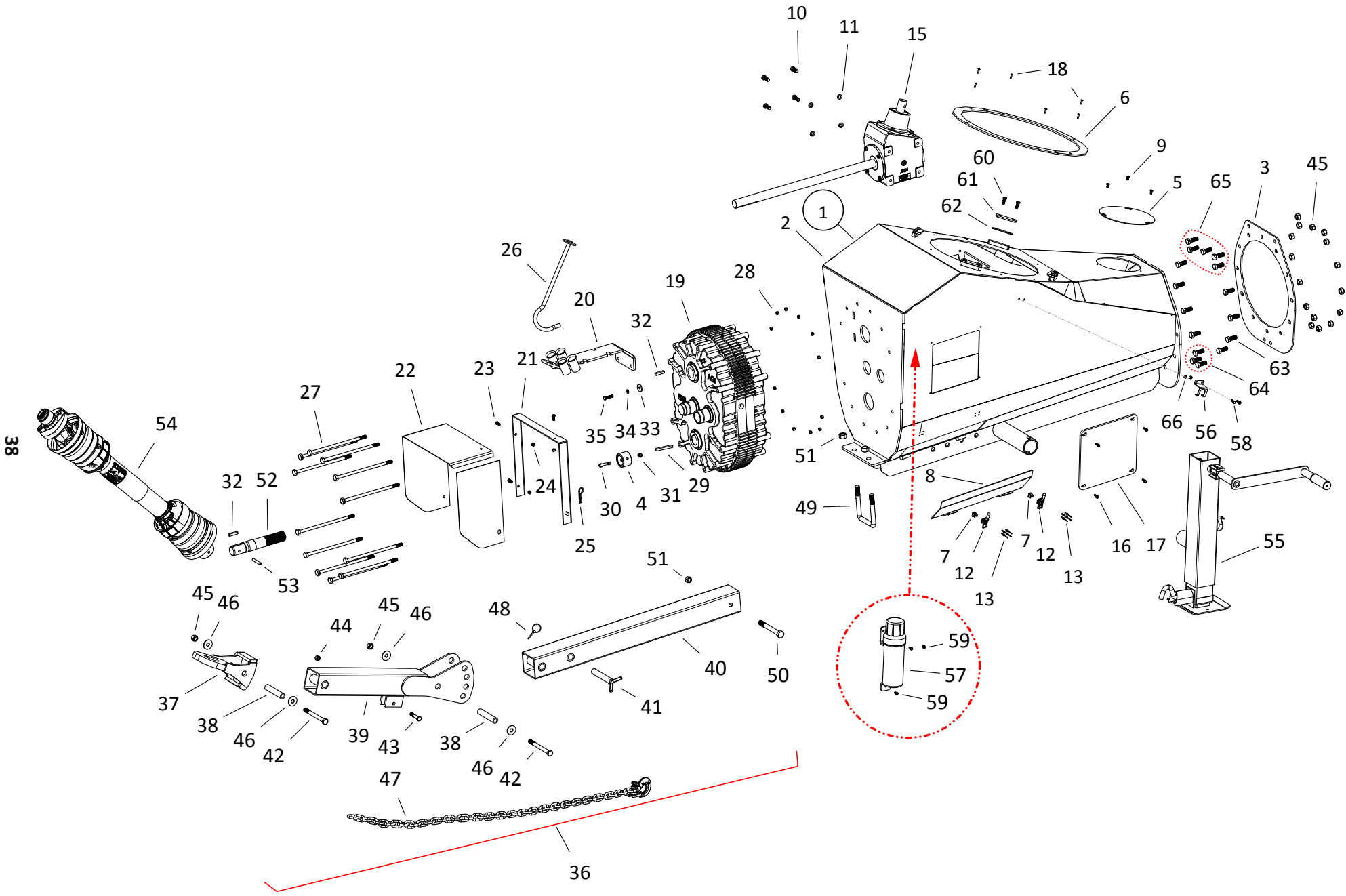
HOPPER COMPONENTS, MKX16



HOPPER COMPONENTS, MKX16

ITEM	PART NO.	DESCRIPTION
1	10-20568	MKX/X16 HOPPER ASSEMBLY
2	10-20581	MKX160 HOPPER ONLY
3	10-20576	MKX160 LONG HOPPER FLIGHT RH
4	10-20577	MKX160 LP HOPPER FLIGHT LH
5	10-20651	MKX160 HOPPER CENTER FLIGHT
6	10-20578	MKX160 HOPPER CHAIN COVER
7	10-20579	MKX160 HOPPER DOOR PIN
8	10-20580	MKX160 LP RUBBER BELTING
9	10-20728	MKX160 TOP MOUNT BUSHING ASSEMBLY
10	10-22050	10 BELTING ATTACH STRAP
11	10-22051	12-1/2 BELTING ATTACH STRAP
12	10-22049	4-3/4 BELTING ATTACH STRAP
13	10-20574	MKX160 CENTRE SUPPORT
14	10-20650	MKX160 DOUBLE SPROCKET COMPLETE
15	10-20902	MKX160 BEARING SUPPORT PLATE
16	10-18694	T52MST ZP FLANGE PLATED FINISH
17	10-18817	EFH205-16 BEARING
18	10-19430	60B14 X 1 SPROCKET
19	10-20638	60X11T 5/8 BORE IDLER SPROCKET
20	10-19149	1" BUSHING
21	10-19776	BUSHING, 1-1/4"
22	10-29293	232-25367 SPLINED U-JOINT 14R
23	10-20754	#60 - 1R X 41P ROLLER CHAIN
24	10-20755	#60 - 1R X 69P ROLLER CHAIN
25	10-17522	410/350 X 4 PNEUMATIC WHEEL ASSM
26	10-17394	MK LP FIXED WHEEL AXLE
27	10-20575	MKX160 LONG AXLE
28	10-29526	#60 OFFSET LINK
29	10-29118	SETSCREW, 3/8" X 3/4" GR8 SQ HEAD
30	10-19222	1/4" FINE THREAD ZIRK
31	10-19463	210 HITCH PIN
32	10-19433	#60 CONNECTOR LINK
33	10-19224	1/4" X 1" WOODRUFF KEY
34	10-19225	3/8"UNC-X3/8"SETSCREW REGULAR CUP
35	10-20082	3/8" WING NUT PLTD
36	10-20399	3/16" X 5/8" GRIP RIVET
37	10-29998	LYNCH PIN 3/16 X 1-1/4 Y.ZINC PLTD
38	10-19991	5/8" X 2" NC BOLT GR 8 PLTD
39	10-18698	7/16" X 1-1/4" NC BOLT GR 8 PLTD
40	10-19538	5/16" X 3/4" NC BOLT GR 2 PLTD
41	10-19965	5/16" X 2-3/4" NC BOLT GR 2 PLTD
42	10-18955	3/8" X 1" NC BOLT GR 5 PLTD
43	10-17402	3/8" NC NYLON LOCKNUT PLTD
44	10-19595	5/16" NC SERRATED FLANGE NUT PLTD
45	10-19598	7/16" NC NYLON LOCKNUT GR 2 PLTD
46	10-19600	5/8" NC NYLON LOCKNUT PLTD
47	10-19966	5/8" FLAT WASHER PLTD
48	10-19975	3/8" X 1-1/4" NC BOLT GR 5 PLTD
49	10-28485	7/16" SAE WASHER PLTD
50	10-19980	5/16" NC NYLON LOCKNUT PLTD

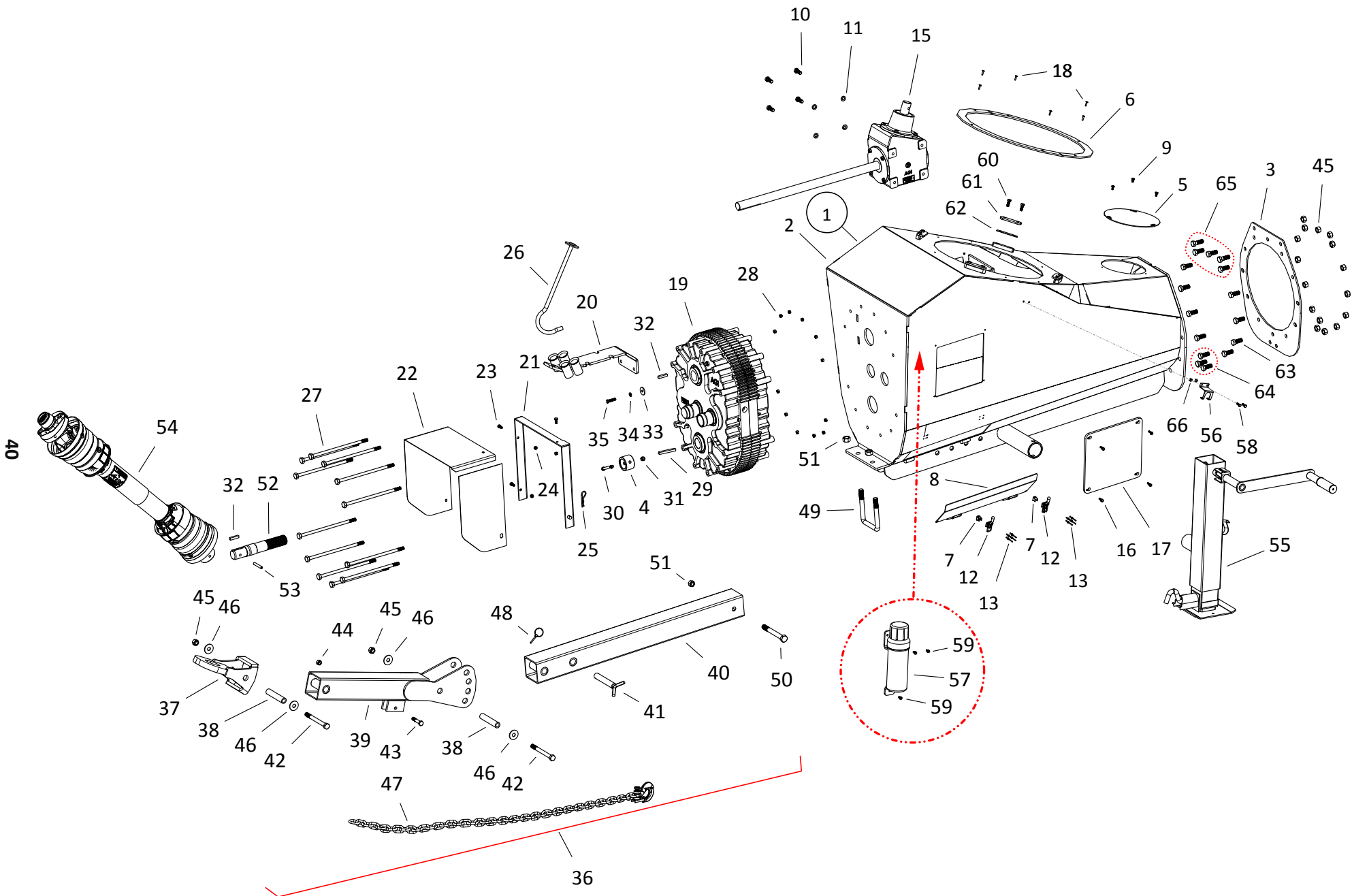
BOOT COMPONENTS, MKX16



BOOT COMPONENTS, MKX16

ITEM	PART NO.	DESCRIPTION
1	10-20604	MKX/X16 BOOT ASSY
2	10-20603	MKX160 BOOT ONLY
3	10-20679	MKX160 BOOT TUBE ATTACH PLATE
4	10-20680	MKX160 LOWER STOP FLIGHT
5	10-20601	MKX160 TRANSITION INSPECTION DOOR
6	10-20800	MKX160 WEAR PLATE, BOOT
7	10-20053	CATCH
8	10-29982	X13 BOOT CLEANOUT DOOR
9	10-19274	#14 X 5/8" SMS AB GR 5 PLTD
10	10-19588	1/2" X 1-1/4" NC BOLT GR 5 PLTD
11	10-19605	1/2" LOCK WASHER PLTD
12	10-20052	MA6512230 LATCH AND CATCH
13	10-23769	5/32 X 39/64 RIVET, LOW PROFILE
15	10-20557	GEARBOX
16	10-20595	#14 X 1" TEK SCREW
17	10-20644	MKX160 PLEXIGLASS SIDE PLATE 3/8"
18	10-20765	3/16"X1/2" BLIND RIVET (SMALL HEAD)
19	10-20558	M2500 SPEED REDUCER
20	10-20705	MKX160 VALVE BRACKET
21	10-20746	MKX160 PTO SHIELD REAR
22	10-20745	MKX160 PTO SHIELD FRONT
23	10-19538	5/16" X 3/4" NC BOLT GR 2 PLTD
24	10-19595	5/16" NC SERRATED FLANGE NUT PLTD
25	10-19463	HAIR PIN
26	10-18537	MK130 TRANSPORT SADDLE
27	10-20777	1/2" X 11-1/2" GR8 PLTD
28	10-19599	1/2" NC NYLON LOCKNUT GR 2 PLTD
29	10-18541	3/8" X 3-3/8" SQUARE KEY
30	10-19547	7/16" X 3-1/2" NC BOLT GR 5 PLTD
31	10-19598	7/16" NC NYLON LOCKNUT GR 2 PLTD
32	10-17066	KEY, 1-3/4" X 3/8" SQ.
33	10-20764	MKX160 KEYWAY LOCKWASHER
34	10-19604	3/8" LOCK WASHER PLTD
35	9900637	3/8" X 1-1/2" NC TAP BOLT GR5 PLTD
36	10-20694	TOW BAR ASSEMBLY, 16"
37	10-20610	MKX160 HITCH
38	10-20611	MKX160 TOW BAR BUSHING
39	10-20612	MKX160 SHORT TOW BAR
40	10-20613	MKX160 LONG TOW BAR
41	10-20768	MKX160 TOW BAR PIN
42	10-19591	5/8" X 6-1/2" NC BOLT GR 8 PLTD
43	9900560	1/2" X 2-1/4" NC BOLT GR 5 PLTD
44	10-19599	1/2" NC NYLON LOCKNUT GR 2 PLTD
45	10-19600	5/8" NC NYLON LOCKNUT PLTD
46	10-19966	5/8" FLAT WASHER PLTD
47	10-20836	MK160 SAFETY CHAIN (52" LONG)
48	10-29998	LYNCH PIN 3/16 X 1-1/4 Y.ZINC PLTD
49	10-20684	UBOLT SQ 3/4NCX4-1/16X5-3/4 PLT
50	10-19593	3/4" X 6-1/2" NC BOLT GR 8 PLTD
51	10-19601	3/4" NC NYLON LOCKNUT PLTD

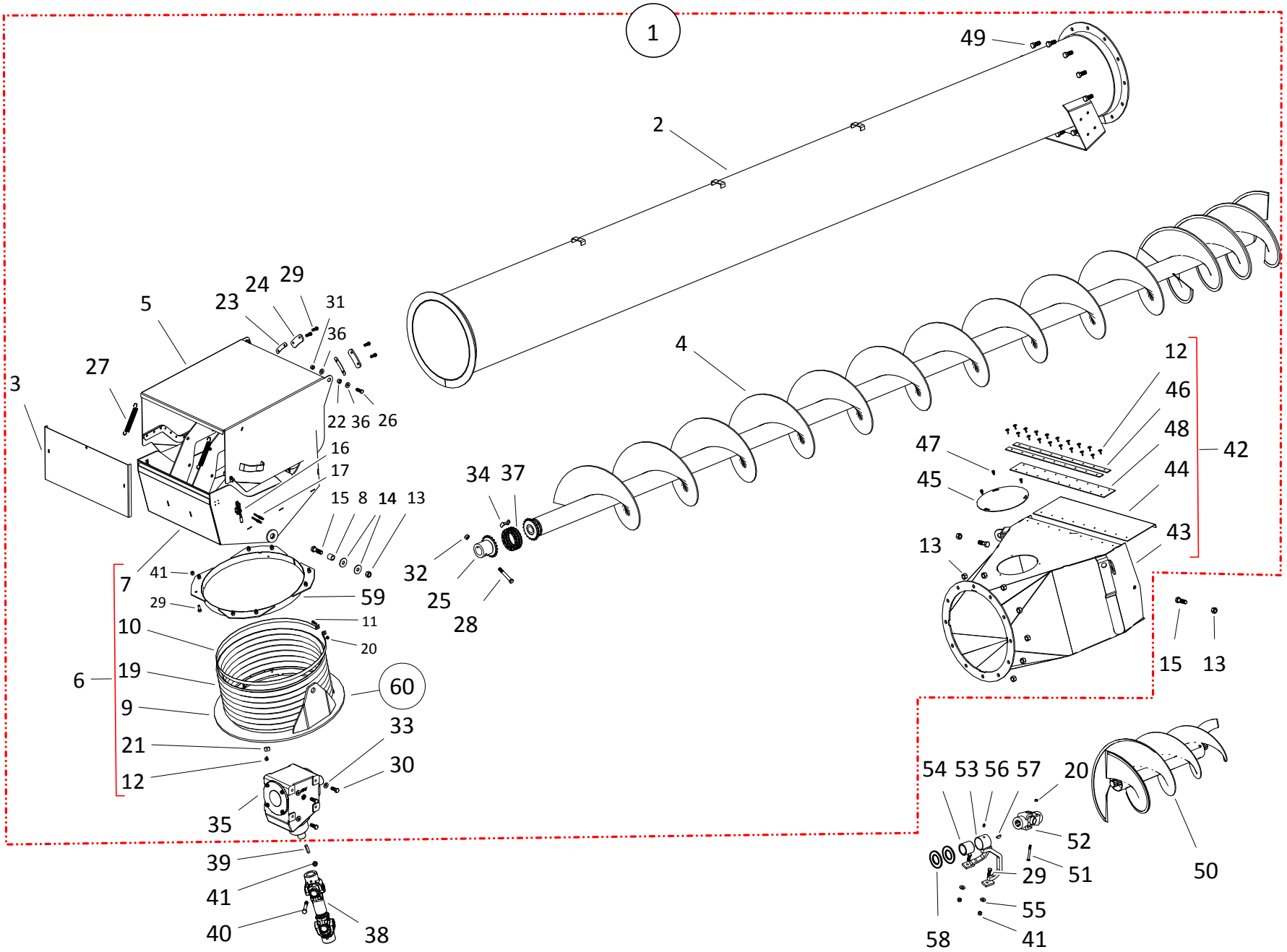
BOOT COMPONENTS, MKX16



BOOT COMPONENTS, MKX16

ITEM	PART NO.	DESCRIPTION
52	10-20605	MKX/X16 REPLACEMENT SPLINED SHAFT
53	10-18546	3/8" X 2-1/2" COILED ROLL PIN
54	10-20560	260-26267E CV-DRIVELINE (BLACK)
55	10-20643	MKX160 JACK
56	10-29994	X16 SHUT OFF VALVE HOLDER
57	10-29755	WATERPROOF PLASTIC MANUAL HOLDER
58	9900800	1/4" X 3/4" NC BOLT GR 5 PLTD
59	10-19274	SELF TAPPING SCREW
60	10-18955	BOLT, 3/8" X 1"
61	10-29166	SPOUT HEAD RETAINERS
62	10-29152	LRG BOOT RETAINER SPACER FLEX
63	10-19991	BOLT, 5/8" X 2"
64	10-27589	BOLT, 5/8" X 2-1/2"
65	10-19590	BOLT, 5/8" X 1-1/2"
66	10-28449	1/4" NC NYLON LOCKNUT PLTD

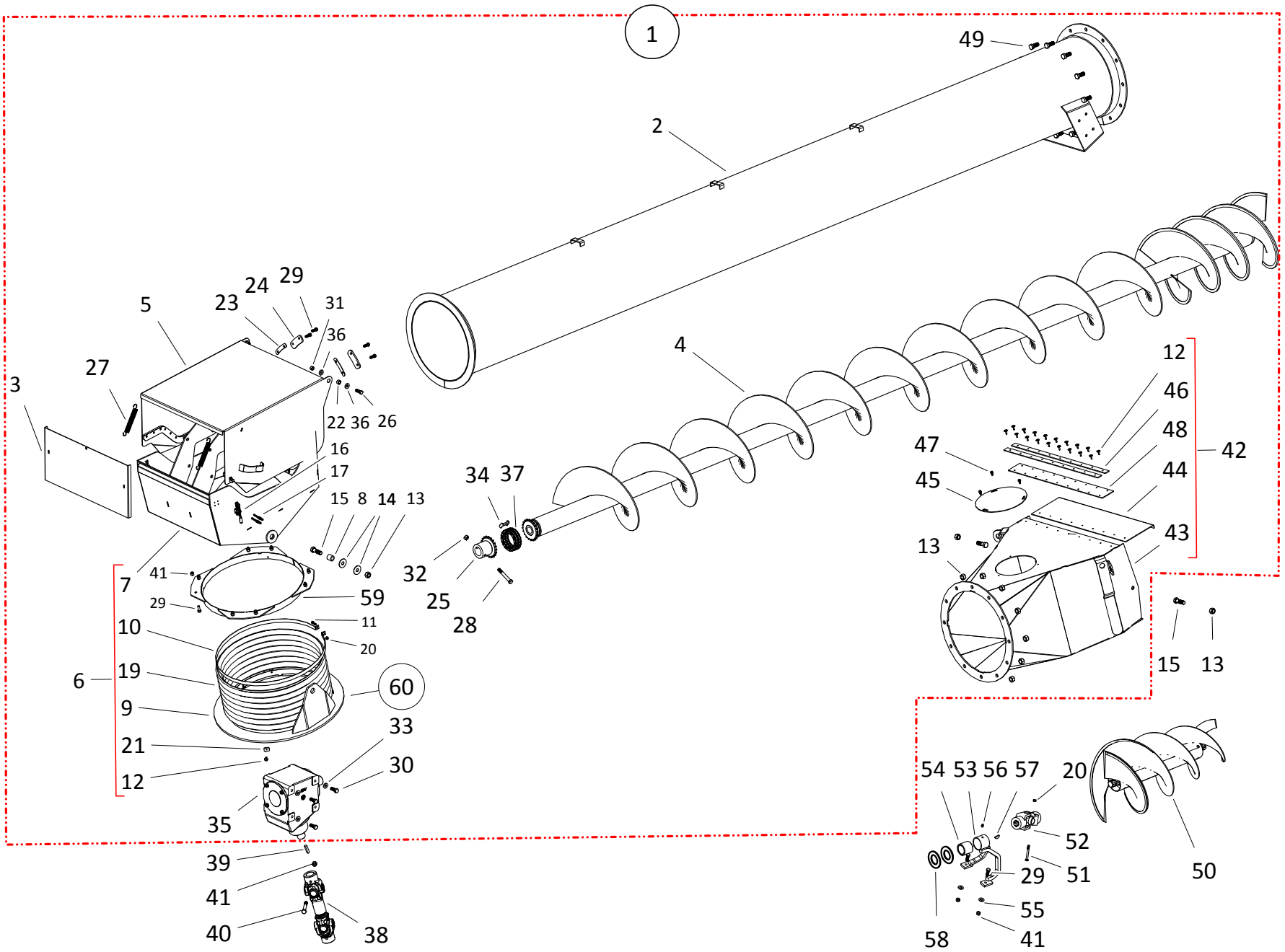
SWING TUBE COMPONENTS, MKX16



SWING TUBE COMPONENTS, MKX16

ITEM	PART NO.	DESCRIPTION
1	10-20713	MKX/X160 SWING TUBE BUNDLE W/ TRANS
2	10-20587	MKX160 SWING TUBE ONLY
3	10-20591	MKX160 SPOUT HEAD DOOR
4	10-20592	MKX160 SWING FLIGHT
5	10-20593	MKX160 SPOUT HEAD COVER
6	10-20597	MKX/X16 SPOUT HEAD ASSY
7	200394RD	MKX/X160 SPOUT HEAD WELD'T, (2019)
8	10-20596	MKX160 SPOUTHEAD BUSHING
9	10-20671	MKX160 SPOUT HEAD BASE
10	10-20756	MKX160 SPOUT HEAD STRAP
11	10-18091	5/16" X 1" NC BOLT GR 2 PLTD
12	10-18185	ASF\0621 RIVET (LARGE FLANGE)
13	10-19600	5/8" NC NYLON LOCKNUT PLTD
14	10-19966	5/8" FLAT WASHER PLTD
15	10-19991	5/8" X 2" NC BOLT GR 8 PLTD
16	10-20052	MA6512230 LATCH AND CATCH
17	10-23769	5/32 X 39/64 RIVET, LOW PROFILE
19	10-20559	20" X 16" LONG FLEX HOSE
20	10-19980	5/16" NC NYLON LOCKNUT PLTD
21	10-29252	DUCTING SECURE TAB, FLEX
22	10-27889	LEVELLER BUSHING TF
23	10-29152	LRG BOOT RETAINER SPACER FLEX
24	10-29166	SPOUT HEAD RETAINER, MK FLEX
25	10-29992	MKX/X13 & MKX16 GEARBOX CONNECTOR
26	10-18698	7/16" X 1-1/4" NC BOLT GR 8 PLTD
27	10-18728	EXTENSION SPRING
28	10-18947	1/2" X 4" NC BOLT GR 8 PLTD
29	10-18955	3/8" X 1" NC BOLT GR 5 PLTD
30	10-19588	1/2" X 1-1/4" NC BOLT GR 5 PLTD
31	10-19598	7/16" NC NYLON LOCKNUT GR 2 PLTD
32	10-19599	1/2" NC NYLON LOCKNUT GR 2 PLTD
33	10-19605	1/2" LOCK WASHER PLTD
34	10-20048	#50 DOUBLE CONNECTOR LINK
35	10-20556	GEARBOX
36	10-17182	1"OD X 29/64"ID X 10 GA WASHER PLTD
37	10-29895	#50-19P DOUBLE ROLLER CHAIN
38	10-20561	242-26278E COUPLER SHAFT (BLACK)
39	10-17066	KEY, 1-3/4" X 3/8" SQ.
40	10-28746	3/8" X 3-1/4" NC BOLT GR 5 PLTD
41	10-17402	3/8" NC NYLON LOCKNUT PLTD
42	10-20598	MKX/X16 TRANSITION ASSY
43	10-20766	TRANSITION ONLY
44	10-20599	TRANSITION DOOR
45	10-20601	TRANSITION INSPECTION DOOR
46	10-20695	TRANSITION BELT STRAP
47	10-19274	#14 X 5/8" SMS AB GR 5 PLTD
48	10-20600	TRANSITION BELT HINGE
49	10-19590	5/8" X 1-1/2" NC BOLT GR 8 PLTD
50	10-20738	TRANSITION FLIGHT
51	10-19965	5/16" X 2-3/4" NC BOLT GR2 PLTD

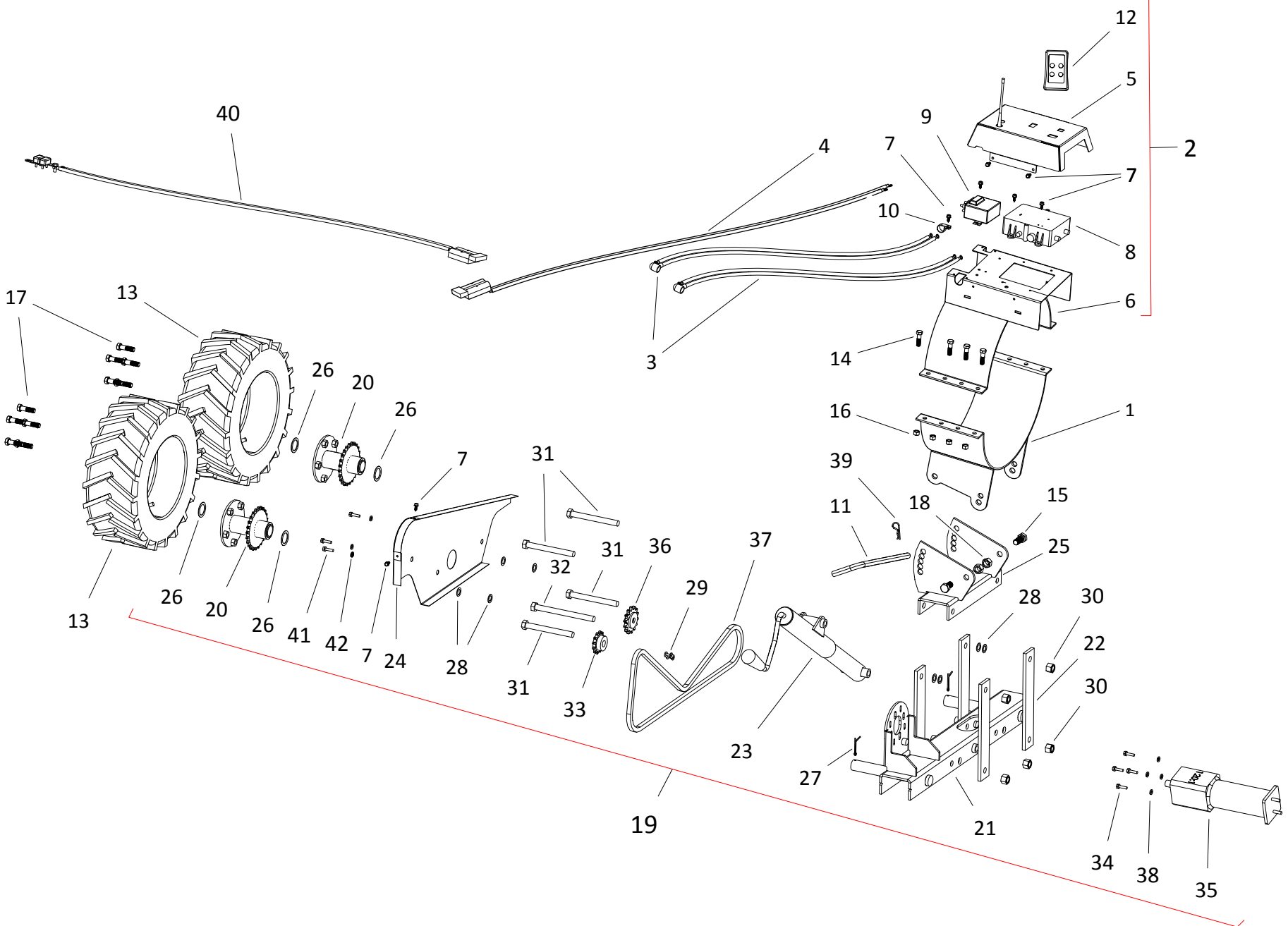
SWING TUBE COMPONENTS, MKX16



SWING TUBE COMPONENTS, MKX16

ITEM	PART NO.	DESCRIPTION
52	10-29293	SPLINED U-JOINT 14R
53	10-20589	TRANSITION BUSHING ASSY
54	10-21095	1.753X 2.254 X 2 POROUS BRONZE BUSH
55	10-17392	3/8" FLAT WASHER PLTD
56	10-19222	1/4" FINE THREAD ZIRK
57	10-19224	1/4" X 1" WOODRUFF KEY
58	10-20837	1-3/4" SAE FLAT WASHER, PLATED
59	200393RD	SPOUT HEAD HOSE RING WLDT, MKX/X160
60	05-A450	MKX/X160 SPOUT HEAD-HOSE RING RPLCM

ELECTRIC POWER SWING COMPONENTS, MKX16



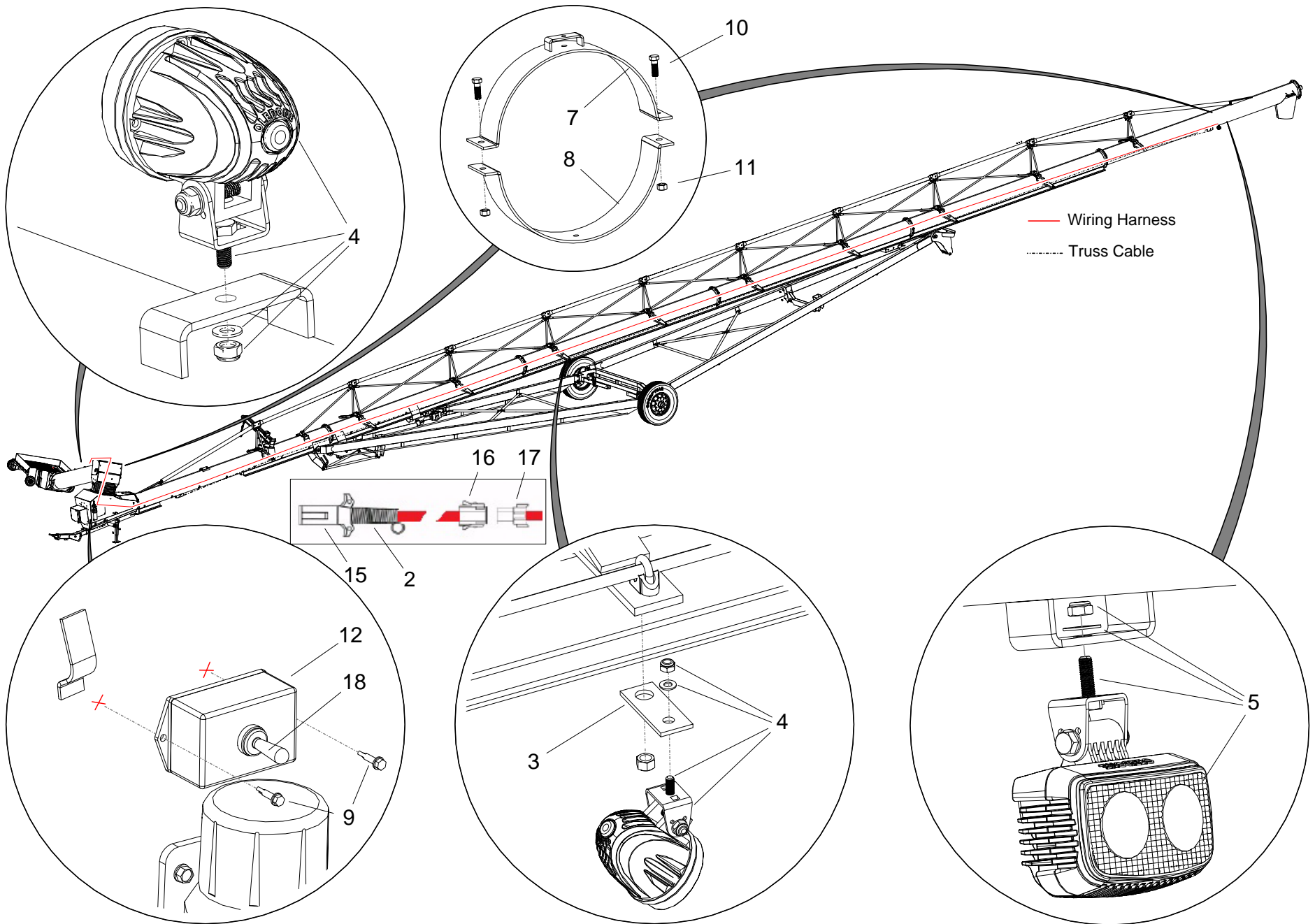
ELECTRIC POWER SWING COMPONENTS, MKX16

ITEM	PART NO.	DESCRIPTION
1	10-20889	16" BOTTOM CLAMP - POWERSWING
2	10-20893	ASSY, 16" P/S TOP CLAMP RECIEVER
3	10-20168	WIRE HARNESS - CONTACTOR TO MOTOR
4	10-22582	WIRE ASSY CONTACTOR/QUICK CONNECT
5	10-20178	COVER, PS RECEIVER ARMOR - POWERSWING
6	10-20888	16" TOP CLAMP W.A. RC - POWERSWING
7	10-19274	#14 X 5/8" SMS AB GR 5 PLTD
8	10-20135	9200RX RECIEVER
9	10-20136	9824 CONTACTOR
10	10-20268	5/8 X 1/2 INSULATED CLAMP
11	10-20895	POWERSWING ADJUST PIN, PLATED
12	10-20134	92102TX TRANSMITTER
13	10-20137	16 X 6.5 5 BOLT WHEEL ASSM
14	10-18698	7/16" X 1-1/4" NC BOLT GR 8 PLTD
15	10-19590	5/8" X 1-1/2" NC BOLT GR 8 PLTD
16	10-19598	7/16" NC NYLON LOCKNUT GR 2 PLTD
17	10-20565	1/2" X 1" WHEEL BOLT (BLACK)
18	10-27588	5/8" NC SERRATED FLANGE NUT PLTD
19	10-20890	16" ELECTRIC PS AXLE, AS SHIPPED
20	10-20166	ASSY HUB, W/BUSHING
21	10-20173	AXLE ASSY, POWER SWING
22	10-20174	PLATE, PARALLEL BAR - POWERSWING
23	10-20179	JACK, POWERSWING
24	10-20180	GUARD, POWERSWING
25	10-20892	PIVOT - POWERSWING, HOLES
26	10-17651	1-1/4" RIM WASHER PLTD
27	10-17757	3/16" X 1-3/4" COTTER PIN PLTD
28	10-18096	5/8" RIM WASHER PLTD
29	10-19134	#50 CONNECTOR LINK
30	10-19600	5/8" NC NYLON LOCKNUT PLTD
31	10-20163	5/8" X 6" NC BOLT GR 5 PLTD
32	10-20164	5/8" X 7-1/2" NC BOLT GR 8 PLTD
33	10-20210	50B12 X 3/4 SPROCKET
34	10-20445	1/4" X 1" NC BOLT GR 8 PLTD
35	10-20753	MOTOR, 12V DC 120:1 RATIO
36	10-29894	50C15 X 5/8 IDLER SPROCKET
37	10-20515	#50 - 1R X 109P ROLLER CHAIN (W/ CONNECTOR LINK)
38	9900783	1/4" LOCKWASHER PLTD
39	10-19463	HAIR PIN
40	10-20169	WIRE ASSY BATTERY TO QUICK CONNECT
41	10-19540	3/8" X 3/4" NC BOLT GR5 PLTD
42	10-17392	3/8" FLAT WASHER PLTD

ELECTRIC LANDING GEAR POWER SWING-16"

ITEM	PART NO.	DESCRIPTION
1	10-22563	LANDING GEAR PS ELEC ASSEMBLY
2	10-20893	ASSY, 16" P/S TOP CLAMP RECEIVER
3	10-22554	ATTACH, RH, MKX/X130 LGPS
4	10-22553	MANUAL JACK ATTACH, MKX/X130 LGPS
5	10-22562	SHORT X-ARM, RH, LGPS
6	10-22564	SHORT X-ARM, LH, LGPS
9	10-22745	16" HITCH RING
10	10-22555	JACK, MANUAL, LANDING GEAR PS
11	10-20138	MOTOR, 12V DC
12	10-20168	WIRE HARNESS - CONTACTOR TO MOTOR
13	10-22582	WIRE ASSY CONTACTOR/QUICK CONNECT
14	10-20888	16" TOP CLAMP W.A. RC - POWERSWING
15	10-20178	COVER, PS RECEIVER ARMOR - POWERSWING
16	10-20135	RECEIVER
17	10-20136	CONTACTOR
18	10-20134	TRANSMITTER
19	10-20137	POWERSWING 5 BOLT WHEEL ASSEMBLY
20	10-20166	ASSY HUB, W/ BUSHING
21	10-20524	ANTENNA
22	10-22164	CHAIN GUARD, LANDING GEAR
23	10-20210	50B12 X 3/4 SPROCKET
24	10-19133	#50-1R X 37P ROLLER CHAIN
25	10-19134	#50 CONNECTOR LINK
26	10-22168	PIN, LANDING GEAR
27	10-27815	BOLT, 5/8" X 4" NC PLTD
28	10-20169	WIRE ASSY BATTERY TO QUICK CONNECT
29	10-22187	SLIDER BUSHING, LANDING GEAR
30	10-19776	BUSHING, 1-1/4"
31	10-20268	5/8 X 1/2 INSULATED CLAMP
32	10-29998	LYNCH PIN 3/16 X 1-1/4 Y.ZINC PLTD
33	10-19274	#14 X 5/8" SMS AB GR 5 PLTD
34	10-20565	1/2" X 1" WHEEL BOLT (BLACK)
35	10-18698	7/16" X 1-1/4" NC BOLT GR 8 PLTD
36	9900564	1/2" X 5" UNC BOLT GR5 PLTD
37	10-19540	3/8" X 3/4" NC BOLT GR5 PLTD
38	10-20445	1/4" X 1" NC BOLT GR 8 PLTD
39	10-19979	3/4" FLAT WASHER PLTD
40	10-17651	1-1/4" RIM WASHER
41	10-17401	1/2" FLAT WASHER PLTD
42	10-17593	7/16" NC NYLON LOCKNUT GR5 YLW PLTD
43	10-19599	1/2" NC NYLON LOCKNUT GR 2 PLTD
44	9900800	1/4" X 3/4" NC BOLT GR5 PLTD
45	10-28449	1/4" NC NYLON LOCKNUT PLTD
46	10-19600	LOCKNUT, 5/8"
47	9900783	1/4" LOCK WASHER
48	10-19604	3/8" LOCK WASHER
49	10-17392	3/8" FLAT WASHER

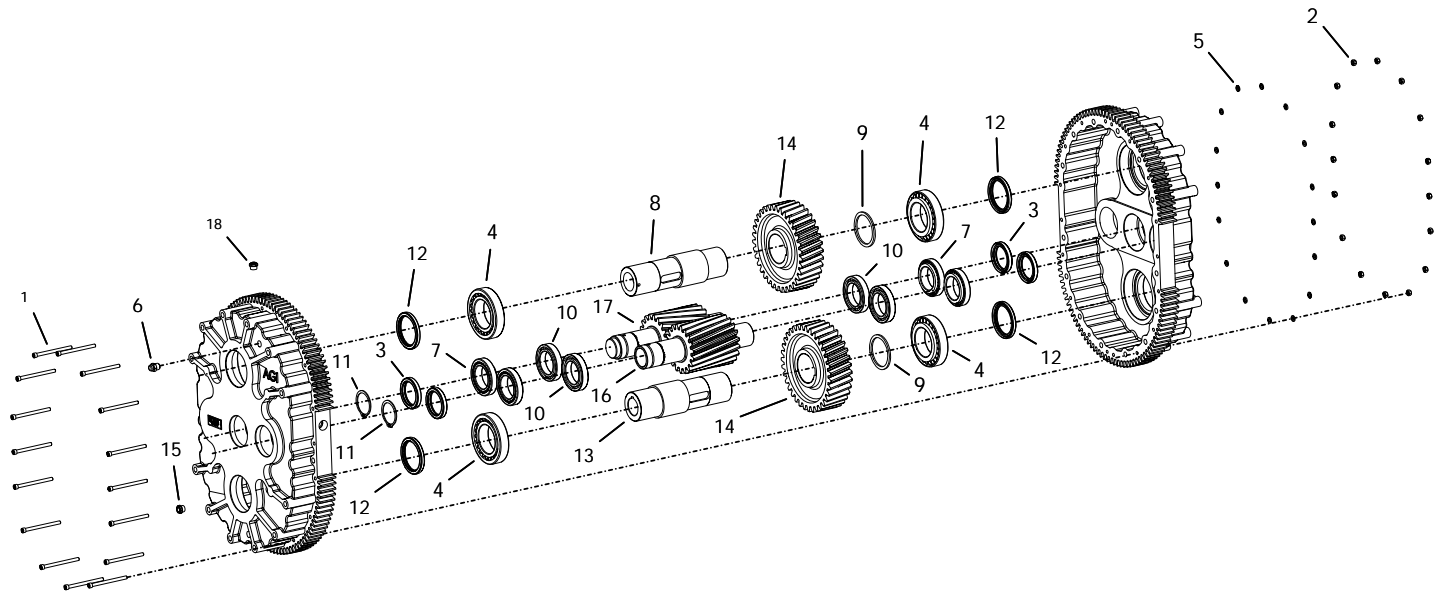
WORK LIGHT KIT, 85 (A354) | 105 (A356) | 125 (A358)



WORK LIGHT KIT, 85 (A354) | 105 (A356) | 125 (A358)

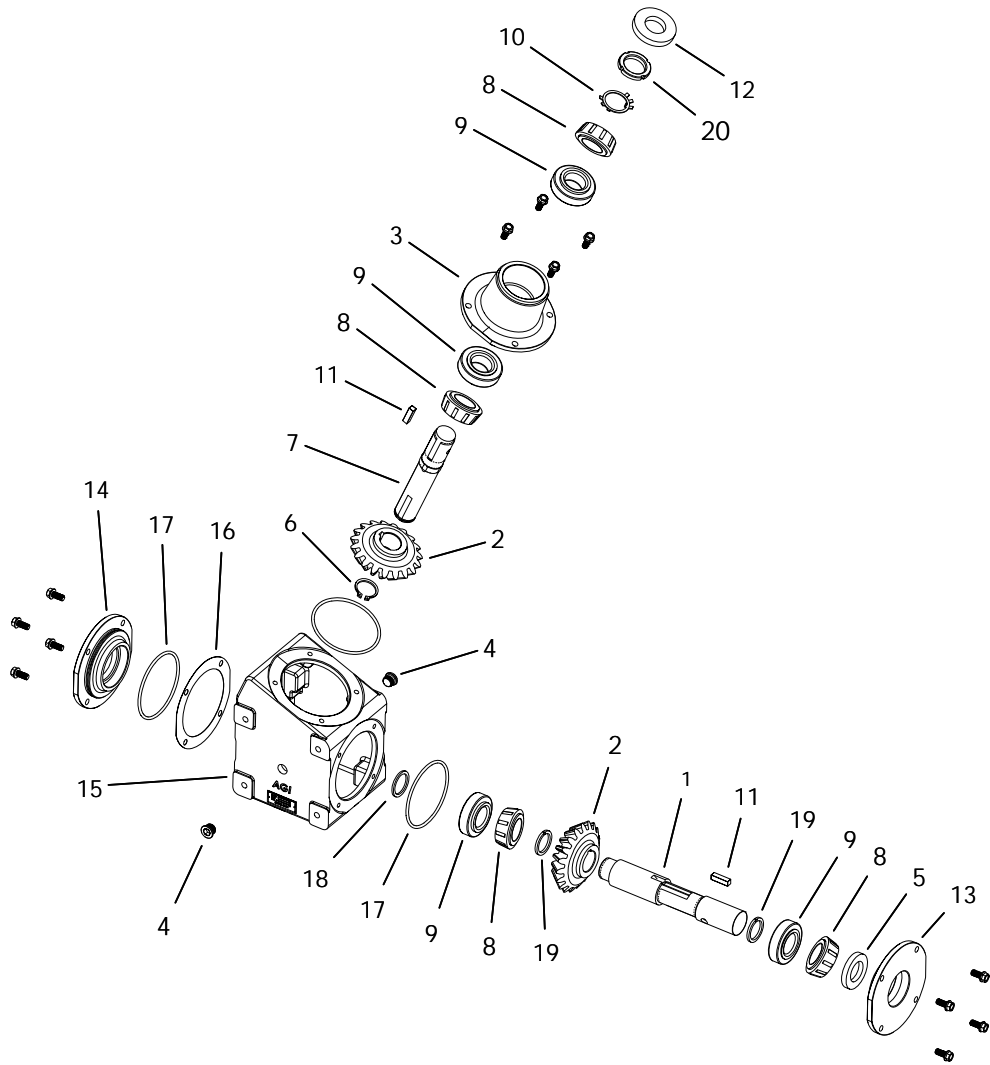
ITEM	PART NO.	DESCRIPTION
1	10-22697	WORK LIGHT HARNESS, 85
1	10-22699	WORK LIGHT HARNESS, 105
1	10-22701	WORK LIGHT HARNESS, 125
2	10-22687	TRACTOR PLUG EXTENSION HARNESS
3	10-22286	TRANSPORT CHAIN LUG
4	10-22394	MINI FLOOD LAMP, LEDWD-1L10 (INCLUDES HARDWARE)
5	10-22395	FLOOD LAMP, LEDWD-2L20 (INCLUDES HARDWARE)
7	10-22706	LIGHT HALF CLAMP, 16"
8	10-22429	HALF CLAMP, 16"
9	10-22396	8-18 X 3/4" TEK SCREW
10	10-18698	BOLT, 7/16" X 1-1/4"
11	10-19598	LOCKNUT, 7/16"
12	10-22399	SWITCH BOX ONLY
13	10-22427	LEAD CONNECTOR, DEUTSCH DT06-2S (NOT SHOWN)
14	10-22446	BUSS AGC 20A FUSE (NOT SHOWN)
15	10-28665	7 PIN HIGHWAY TRACTOR CONNECTOR
16	10-23124	8 WAY PLUG, AT06-08SA
17	10-23125	8 WAY RECEPTACLE, AT04-08PA
18	10-24355	WEATHERPROOF TOGGLE SWITCH
19	10-23126	WEATHER PACK TOWER, 6 POS (NOT SHOWN)
20	10-23127	WEATHER PACK SHROUD, 6 POS (NOT SHOWN)
21	10-23128	DEUTSCH 2 WAY CAP, 1011-344-0205 (NOT SHOWN)
22	05-A354	WORK LIGHT KIT, 85
22	05-A356	WORK LIGHT KIT, 105
22	05-A358	WORK LIGHT KIT, 125

SPEED REDUCER COMPONENTS (20558)



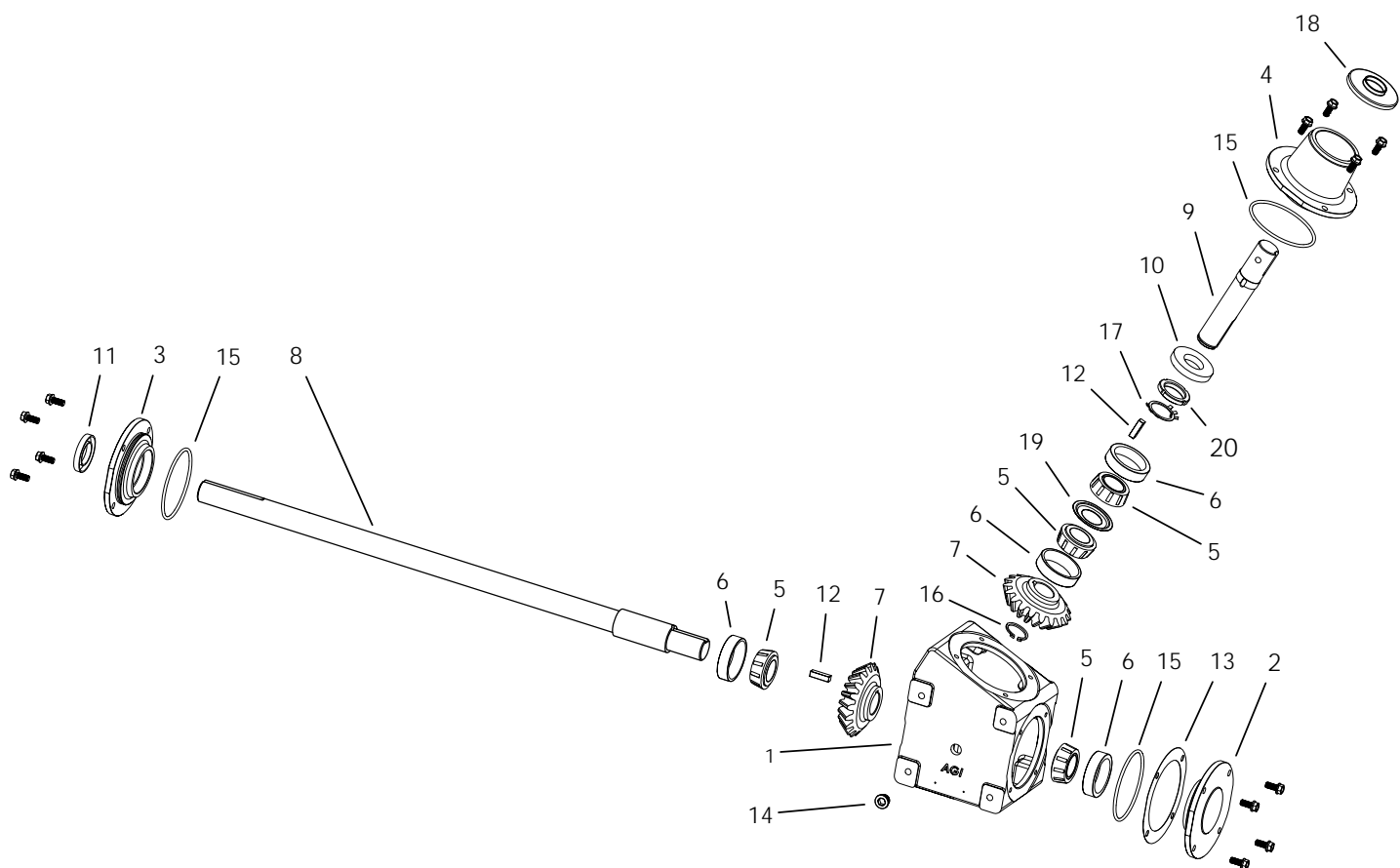
ITEM	PART NO.	DESCRIPTION
1	10-21410	SOCKET HEAD CAP SCREW, 5/16" X 4-1/4"
2	10-19595	HEX NUT, 5/16"
3	10-28526	OIL SEAL, 60 X 80 X 12
4	10-21274	ROLLER BEARINGS 32215 (LARGE)
5	10-19603	LOCK WASHER, 5/16"
6	10-21417	INTERNAL HEX PLUG/STEEL PLUG
7	10-21275	ROLLER BEARINGS 32012 (SMALL)
8	10-21277	OUTPUT SHAFT
9	10-21413	SHIM, Ø75.5X90X4
10	10-21276	BALL BEARING 6012
11	10-21414	SNAP RING, Ø60 X 2
12	10-28527	OIL SEAL, 75 X 95 X 10
13	10-21406	OUTPUT SHAFT
14	10-21407	OUTPUT GEAR 35T
15	10-21419	EXTERNAL HEX OIL LEVER PLUG, ZG3/8"-18
16	10-21408	MIDDLE GEAR SHAFT RIGHT HAND
17	10-21409	INPUT GEAR SHAFT 20T
18	10-21420	VENT PLUG
19	10-29272	LOCKING SYSTEM KIT (NOT SHOWN)

UPPER GEARBOX COMPONENTS (20556)



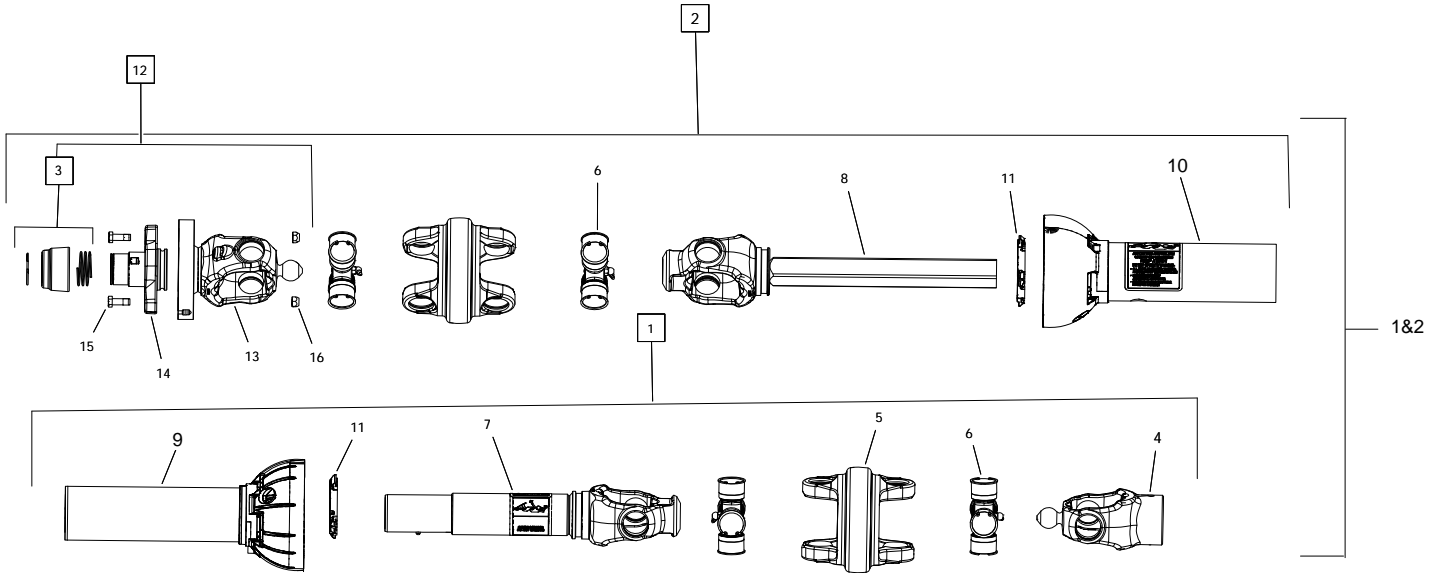
ITEM	PART NO.	DESCRIPTION
1	10-20588	SHAFT, CROSS
2	10-21382	GEAR, DP 4 TEETH 19
3	10-21379	QUILL
4	10-21388	PIPE PLUG, 3/4" UNF
5	10-21386	SEAL (1.50 X 2.56 X 0.374)
6	10-27708	SNAP RING
7	10-20652	SHAFT, QUILL
8	10-21380	BEARING CONE
9	10-21381	BEARING CUP
10	10-21391	RETAINING SHIM
11	10-21994	SQUARE KEY, 3/8" X 1-1/2"
12	10-21385	SEAL (1.50 X 3.00 X 0.472)
13	10-21378	END CAP
14	10-21377	END CAP
15	10-21376	HOUSING
16	10-21387	GASKET
17	10-21389	O-RING
18	10-27694	SPACER
19	10-22020	RETAINER RING, 38 X 4
20	10-21961	LOCKNUT, M40 X 1.5

LOWER GEARBOX COMPONENTS (20557)



ITEM	PART NO.	DESCRIPTION
1	10-21376	HOUSING
2	10-21377	END CAP
3	10-21378	END CAP
4	10-21379	QUILL
5	10-21380	BEARING CONE
6	10-21381	BEARING CUP
7	10-21382	GEAR, DP 4 TEETH 19
8	10-20628	SHAFT CROSS
9	10-20629	SHAFT, QUILL
10	10-21385	SEAL (1.50X3.00X0.472)
11	10-21386	SEAL (1.50X2.56X0.374)
12	10-21994	SQUARE KEY, 3/8" X 1-1/2"
13	10-21387	GASKET
14	10-21388	PIPE PLUG, 3/4" UNF
15	10-21389	O-RING
16	10-27708	SNAP RING
17	10-21391	RETAINING SHIM
18	10-21541	DEFLECTOR SHIELD
19	10-21542	GREASE WASHER
20	10-21961	LOCKNUT, M40 X 1.5

PTO SHAFT COMPONENTS (20560)



ITEM	PART NO.	DESCRIPTION
1	10-21437	1/2 PTO SHAFT, IMPLEMENT END
2	10-21438	1/2 PTO SHAFT, TRACTOR END
3	10-21439	SPRING LOCK REPAIR KIT
4	10-17551	END YOKE
5	10-17550	CV CENTER HOUSING
6	10-17547	UNIVERSAL JOINT REPAIR KIT
7	N/A	YOKE, TUBE & SUP SLEEVE
8	N/A	YOKE & SHAFT (1.31 SQUARE)
9	10-21964	INNER GUARD
10	10-21965	OUTER GUARD
11	10-21966	NYLON BEARING
12	10-21440	SHEAR ASSEMBLY (20-SPLINE)
12A	10-21441	SHEAR ASSEMBLY (21-SPLINE)
13	N/A	SHEAR FLANGE HUB
14	N/A	SHEAR FLANGE YOKE
15	10-18454	BOLT, 3/8" X 1" GR8
16	10-19996	LOCKNUT, 3/8"
1&2	10-20560	MKX160 PTO SHAFT, DOUBLE CV



P.O. Box 39

Rosenort, Manitoba, R0G 1W0 Canada

Phone: (866) 467-7207 (Canada & USA) or (204) 746-2396

Fax: (866) 768-4852

website: www.grinaugers.com

email: sales@grinaugers.com

© Ag Growth International Inc. 2020

Printed in Canada